



US00D810170S

(12) **United States Design Patent**
Geng et al.

(10) **Patent No.:** **US D810,170 S**
(45) **Date of Patent:** **** Feb. 13, 2018**

- (54) **SURVEILLANCE CAMERA**
- (71) Applicant: **Honeywell International Inc.,**
Morristown, NJ (US)
- (72) Inventors: **Junwei Geng,** Shanghai (CN); **Pengfei Zhang,** Shanghai (CN); **Qirong Ma,** Shanghai (CN)
- (73) Assignee: **HONEYWELL INTERNATIONAL INC.,** Morristown, NJ (US)

- D634,347 S * 3/2011 Park D16/203
- D634,768 S * 3/2011 Ko D16/203
- D635,172 S 3/2011 Ko
- D636,421 S * 4/2011 Sagen D16/202
- D637,640 S * 5/2011 Park D16/203
- D643,453 S * 8/2011 Ham D16/203
- 8,537,220 B2 * 9/2013 Kwon G03B 17/08
348/143
- D696,329 S * 12/2013 Horiki D16/203
- D702,274 S * 4/2014 Qian D16/203
- D721,756 S * 1/2015 Hallstrom D16/203
- D723,603 S 3/2015 Hess, Jr.

(Continued)

(**) Term: **15 Years**

(21) Appl. No.: **29/568,285**

(22) Filed: **Jun. 16, 2016**

(51) **LOC (11) Cl.** **16-01**

(52) **U.S. Cl.**
USPC **D16/203**

(58) **Field of Classification Search**
USPC D16/200–220, 242, 243, 244, 134;
D26/24, 36, 72, 79, 123, 138, 88, 120;
D11/146; D10/104.1, 104.2, 106.1,
D10/106.2, 106.5; D9/544, 558, 777,
D9/691, 689, 516, 505, 764; D7/610;
D23/223, 229, 255

CPC .. H04N 3/08; H04N 5/23248; H04N 5/23287;
H04N 5/23258; H04N 5/2251; H04N
5/2252; H04N 7/181; H04N 7/183; H04N
7/18; H04N 2007/145; G01C 11/025;
G03B 15/00; G03B 15/03; G03B 17/56;
G03B 17/02; G03B 17/30; G03B 17/04;
G03B 17/00; G03B 19/04; G03B 3/00;
G08B 13/19619; G08B 13/1963; G08B
13/19632; B60R 1/00; B60R 2300/105;
F16M 11/04; F16M 13/00; Y02E 60/12

See application file for complete search history.

(56) **References Cited**

U.S. PATENT DOCUMENTS

- D515,607 S * 2/2006 Cheng D16/203
- D578,561 S * 10/2008 Dumanogullari D16/203

OTHER PUBLICATIONS

CMOS IP camera, date not available [online], [site visited Mar. 14, 2017], Available from Internet, URL: <<https://www.aliexpress.com/item/2-0-Megapixel-Sony-IMX222-CMOS-IP-camera-Low-Lux-1080P-network-camera-video-system-Mobilephone/1883676508.html?spm=2114.40010208.4.14.Z7ki0F>>.*

(Continued)

Primary Examiner — Barbara Fox

Assistant Examiner — Mary C Ramirez

(74) *Attorney, Agent, or Firm* — Husch Blackwell LLP

(57) **CLAIM**

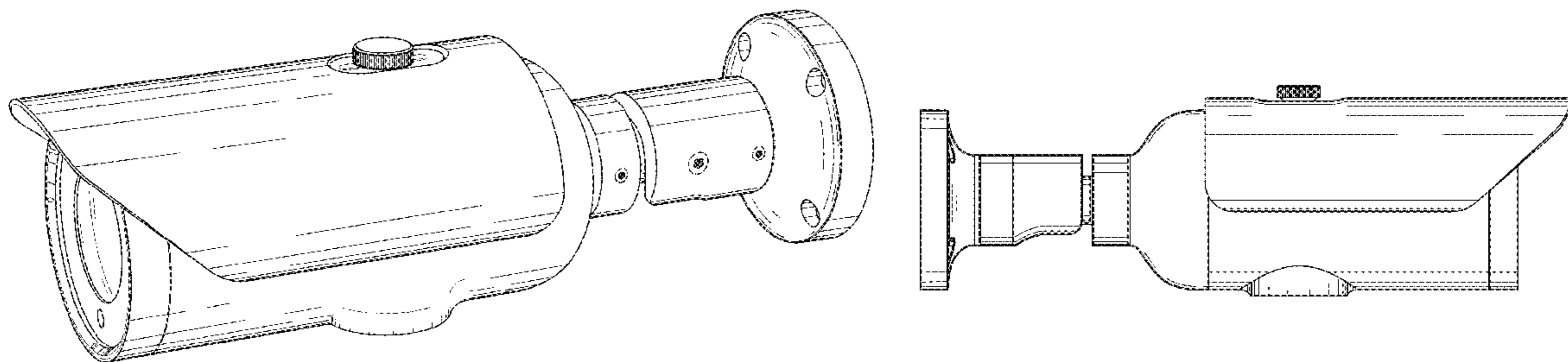
The ornamental design for a surveillance camera, as shown and described.

DESCRIPTION

FIG. 1 is a perspective view of the surveillance camera; FIG. 2 is a front end elevation view thereof; FIG. 3 is a first side elevation view thereof; FIG. 4 is a second side elevation view thereof; FIG. 5 is a top plan view thereof; and, FIG. 6 is a bottom plan view thereof.

The broken lines in the drawings illustrate portions of the surveillance camera that form no part of the claimed design.

1 Claim, 4 Drawing Sheets



(56)

References Cited

U.S. PATENT DOCUMENTS

D731,574 S * 6/2015 Hallstrom D16/203
9,113,094 B2 * 8/2015 Takahashi H04N 5/33
2006/0077285 A1 * 4/2006 Cheng G03B 17/02
348/373
2014/0049636 A1 * 2/2014 O'Donnell G08C 17/02
348/143
2015/0358511 A1 * 12/2015 Jung H04N 5/2252
348/143

OTHER PUBLICATIONS

Infrared Bullet IP Camera, 2016 [online], [site visited Mar. 14, 2017], Available from Internet, URL: <<https://www.jaycar.com.au/1080p-ip-camera-with-poe/p/QC3122>>.*

Product name: HBD2FR, <http://www.security.honeywell.com/uk/products/video/ip-products/cameras/ir-bullet-onvif/552367.html>.

Product name: TD-9433-T, http://www.tvt.net.cn/pro_view.aspx?Typdid=128&id=418, 2004-2015 © Shenzhen TVT Digital Technology Co., Ltd.

Product name: SNO-5080R, <http://www.hanwhasecurity.com/en/products/secuirty-cameras/network-cameras/bullet-camera/SNO-5080R.aspx>, © 2011 Samsung Techwin America.

Product names: HB74HD1(X) Bullet / HB75HD1(X) Bullet, https://www.honeywellvideo.com/documents/L_HB7475D1D_D, © 2015 Honeywell International Inc.

5 Product name: Milesight H.265 Starlight Mini Bullet Camera, <https://scoop.co.za/milesight-h-265-starlight-mini-bullet-camera.html>, © 2016 Scoop Distribution (Pty) Ltd.

* cited by examiner

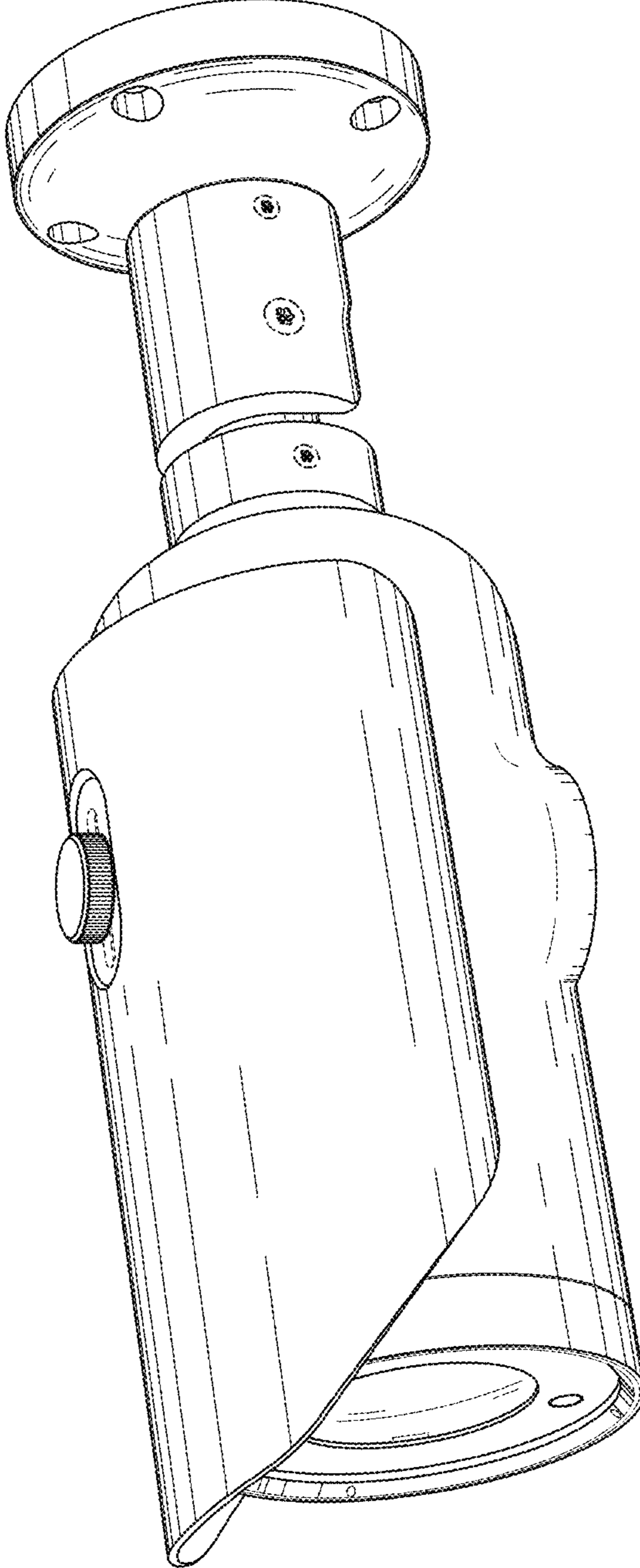


FIG. 1

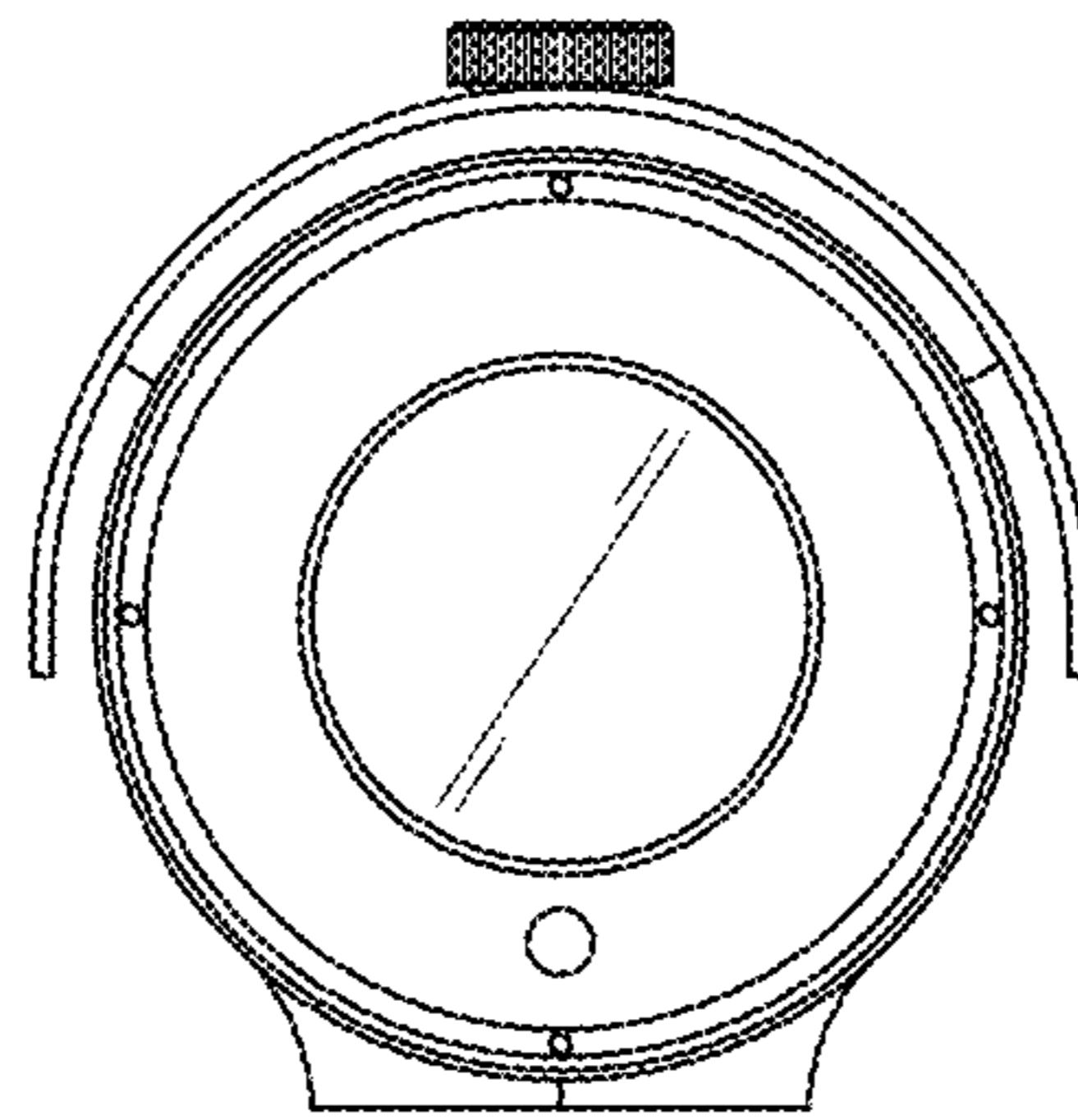


FIG. 2

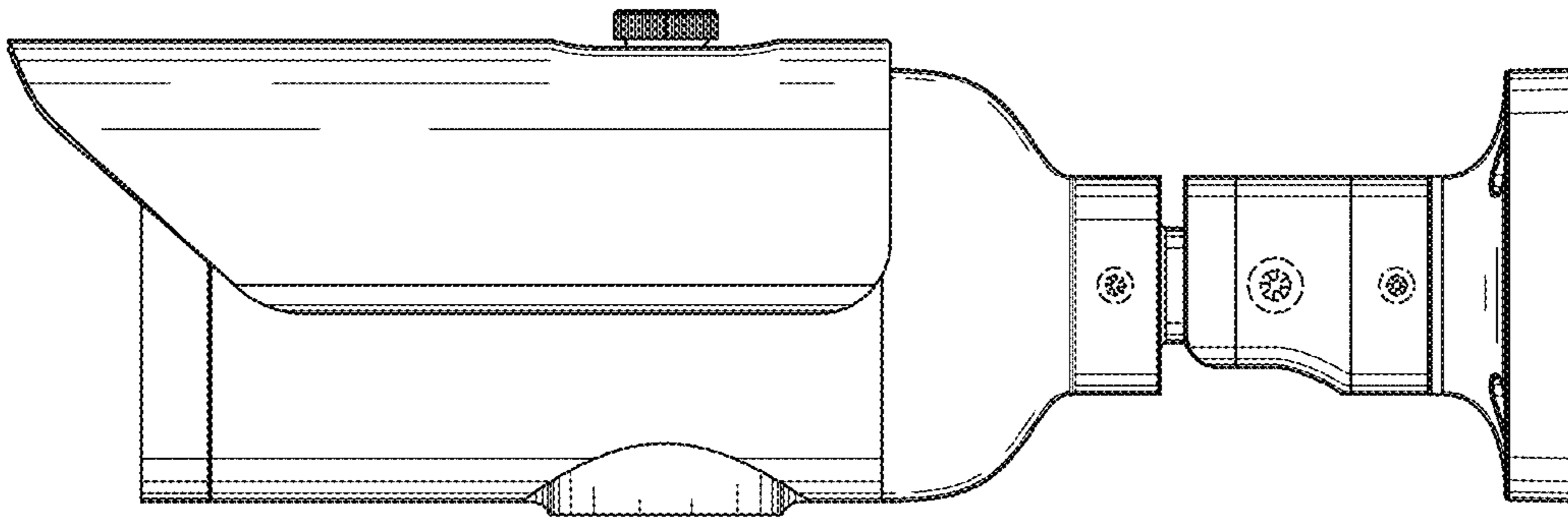


FIG. 3

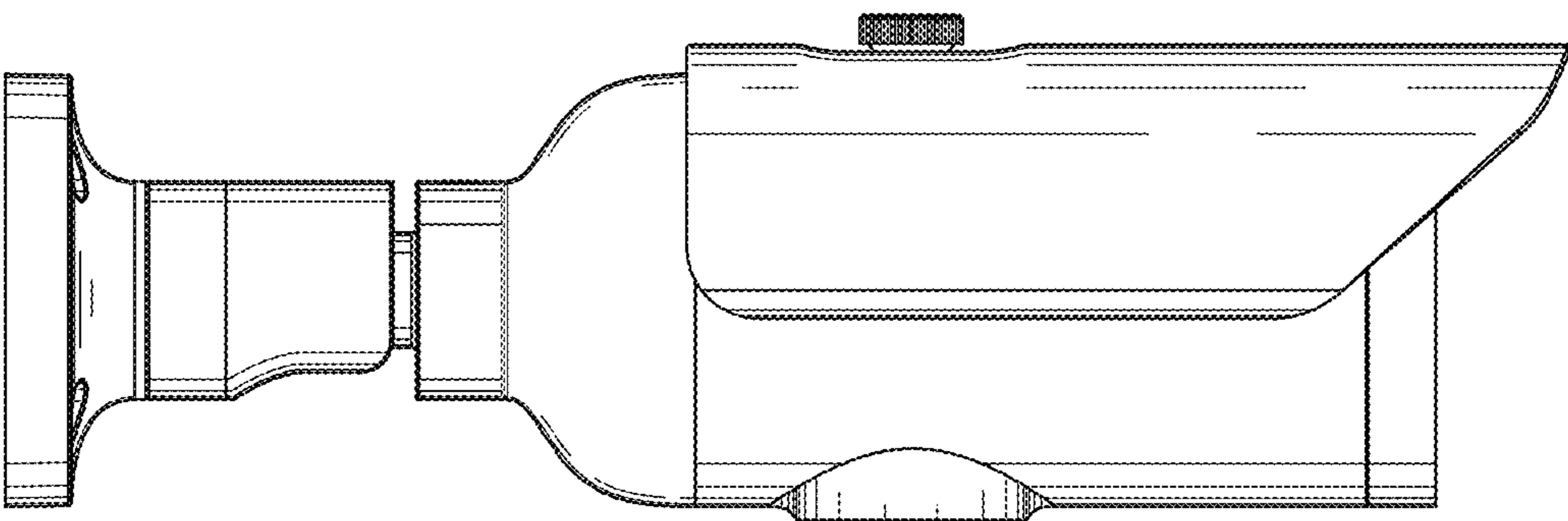


FIG. 4

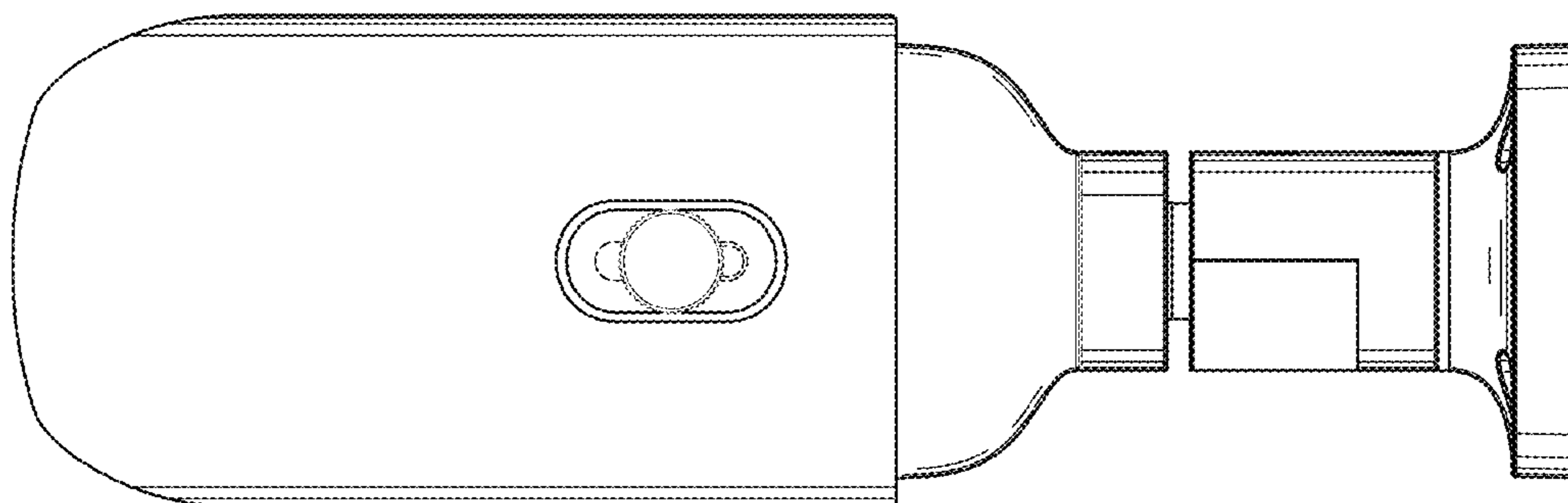


FIG. 5

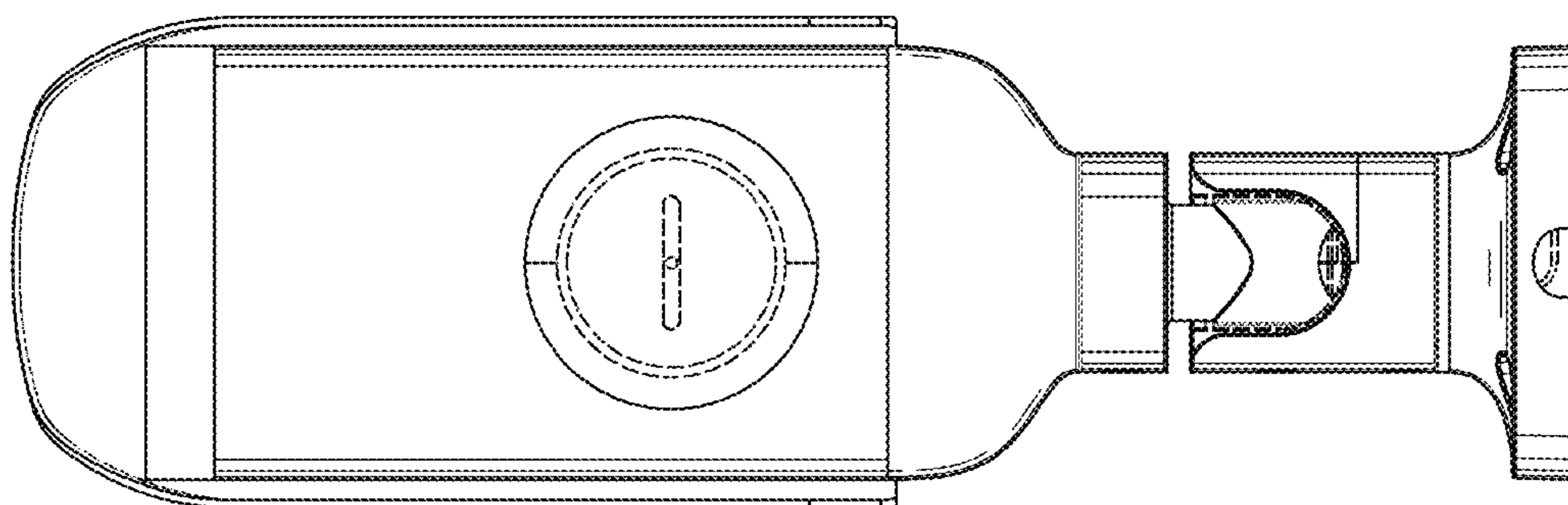


FIG. 6