



US00D810169S

(12) **United States Design Patent**
Bhattacharya

(10) **Patent No.:** **US D810,169 S**

(45) **Date of Patent:** **** Feb. 13, 2018**

(54) **CAMERA**

(71) Applicant: **Vivint, Inc.**, Provo, UT (US)

(72) Inventor: **Abhijeet Bhattacharya**, Lehi, UT (US)

(73) Assignee: **VIVINT, INC.**, Provo, UT (US)

(**) Term: **15 Years**

(21) Appl. No.: **29/554,112**

(22) Filed: **Feb. 8, 2016**

(51) **LOC (11) Cl.** **16-01**

(52) **U.S. Cl.**

USPC **D16/203**

(58) **Field of Classification Search**

USPC D14/130, 144, 132; D16/200–220, 242,
D16/238; D26/24, 36, 72, 79, 123;
D10/104.1, 104.2, 106.1, 106.2, 106.5;
D9/548, 560, 572, 574, 430, 431;
D29/109–110

CPC H04N 7/181; H04N 7/183; H04N 7/18;
H04N 3/08; H04N 5/23248; H04N
5/23287; H04N 5/23258; H04N 5/2251;
H04N 5/2252; H04N 2007/145; G01C
11/025; G03B 15/00; G03B 15/03; G03B
17/56; G03B 17/02; G03B 17/30; G03B
17/04; G03B 17/00; G03B 19/04; G03B
3/00; B60R 1/00; B60R 2300/105; G08B
13/19619; G08B 13/1963; G08B
13/19632; F16M 11/04; F16M 13/00;
Y02E 60/12

See application file for complete search history.

(56) **References Cited**

U.S. PATENT DOCUMENTS

D218,196 S * 7/1970 Merino et al. D16/130
D396,634 S * 8/1998 Andren D9/416
D528,576 S * 9/2006 Chung D16/202

D640,721 S * 6/2011 Satine D16/202
D695,809 S * 12/2013 Katori D16/203
D696,329 S * 12/2013 Horiki D16/203
D727,388 S * 4/2015 Huang D16/214
D741,389 S * 10/2015 Park D16/203
D743,467 S * 11/2015 Bhattacharya D16/203
D747,383 S * 1/2016 Li D16/203
D776,740 S * 1/2017 Okawa D16/203
2014/0049638 A1 * 2/2014 Huang H04N 5/2252
348/143

OTHER PUBLICATIONS

Vivint, announced Jan. 14, 2016, [site visited Mar. 29, 2017], Available from Internet, URL: <<http://www.androidguys.com/2016/01/14/vivint-brought-the-most-comprehensive-smart-home-kit-to-ces-2016/>>.*

(Continued)

Primary Examiner — Barbara Fox

Assistant Examiner — Mary C Ramirez

(74) *Attorney, Agent, or Firm* — Holland & Hart

(57) **CLAIM**

The ornamental design for a camera, as shown and described.

DESCRIPTION

FIG. 1 is a top perspective view of a camera according to the present invention;

FIG. 2 is a bottom perspective view thereof;

FIG. 3 is a front view thereof;

FIG. 4 is a rear view thereof;

FIG. 5 is a right side view thereof;

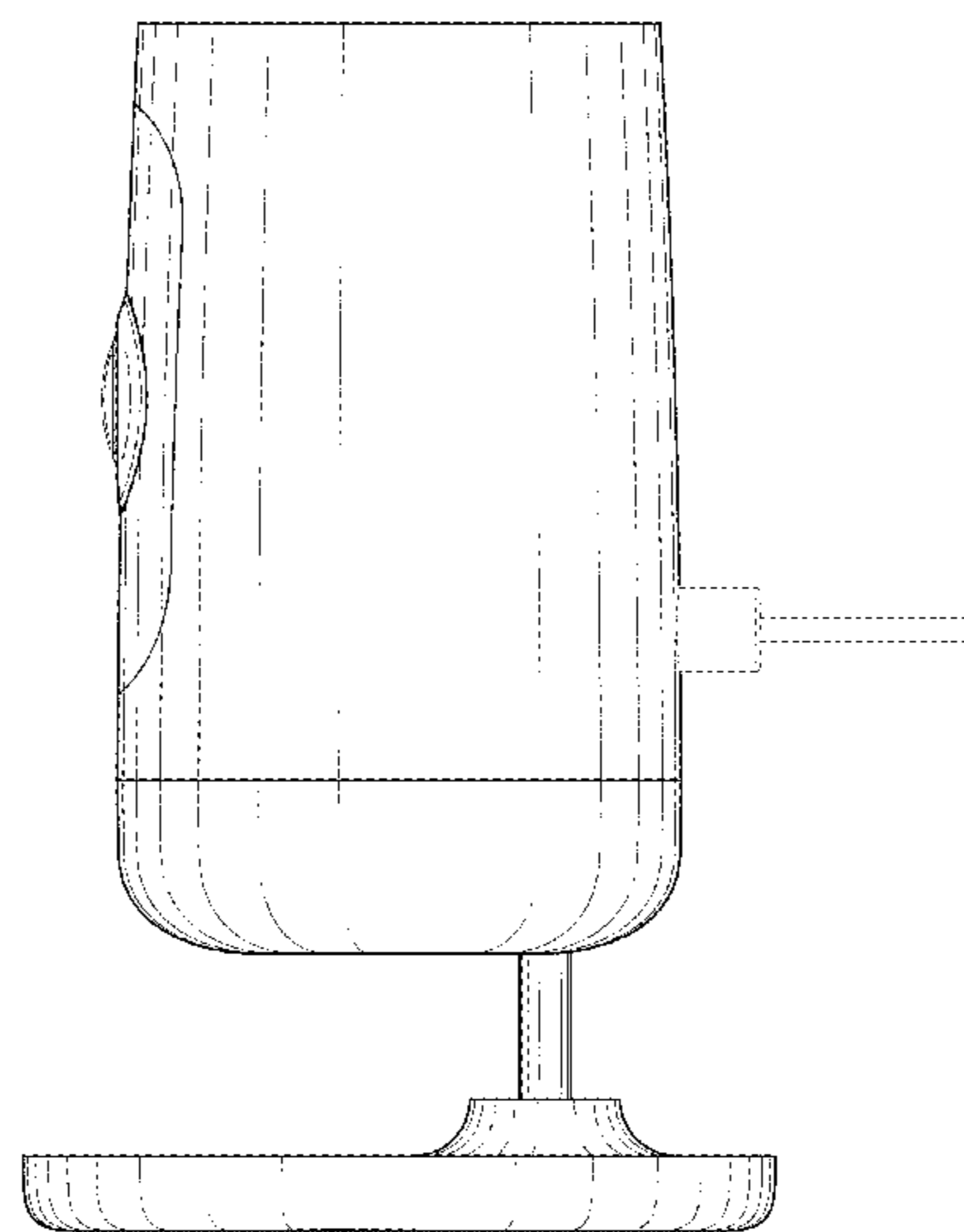
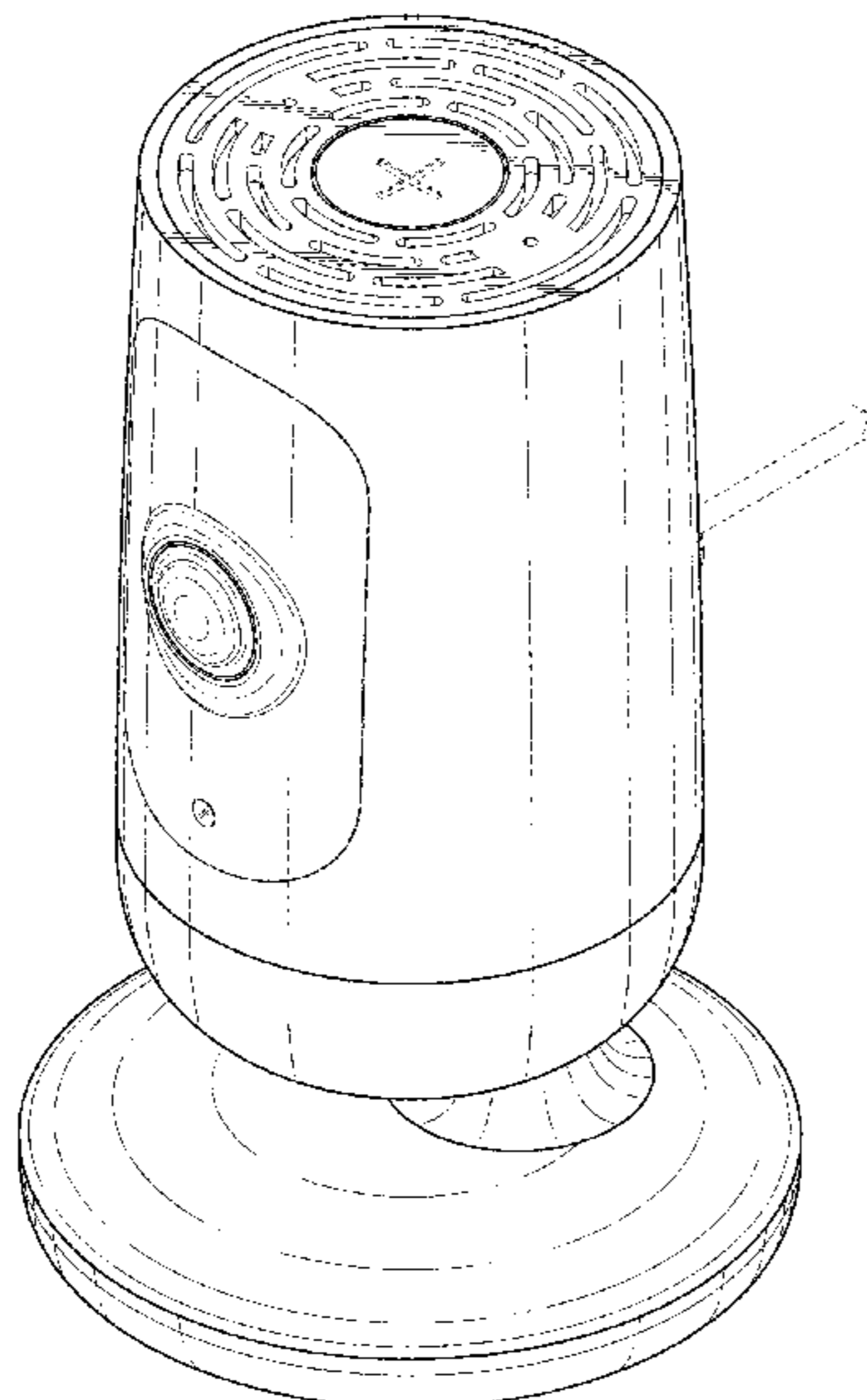
FIG. 6 is a left side view thereof;

FIG. 7 is a top view thereof; and,

FIG. 8 is a bottom view thereof.

The broken lines shown in the drawings illustrate portions of the camera that form no part of the claimed design.

1 Claim, 8 Drawing Sheets



(56)

References Cited

OTHER PUBLICATIONS

youtube.com, announced Jan. 5, 2016, [site visited Mar. 29, 2017], Available from Internet, URL: <https://www.youtube.com/watch?v=YxPKXMHk_P8>at approximately :03.*

Vivint Sky, announce Jan. 4, 2016, [site visited Mar. 29, 2017], Available from Internet, URL: <<http://www.techhive.com/article/3153666/connected-home/smart-home-service-provider-vivint-introduces-sky-for-an-even-smarter-smart-home.html>>.*

* cited by examiner

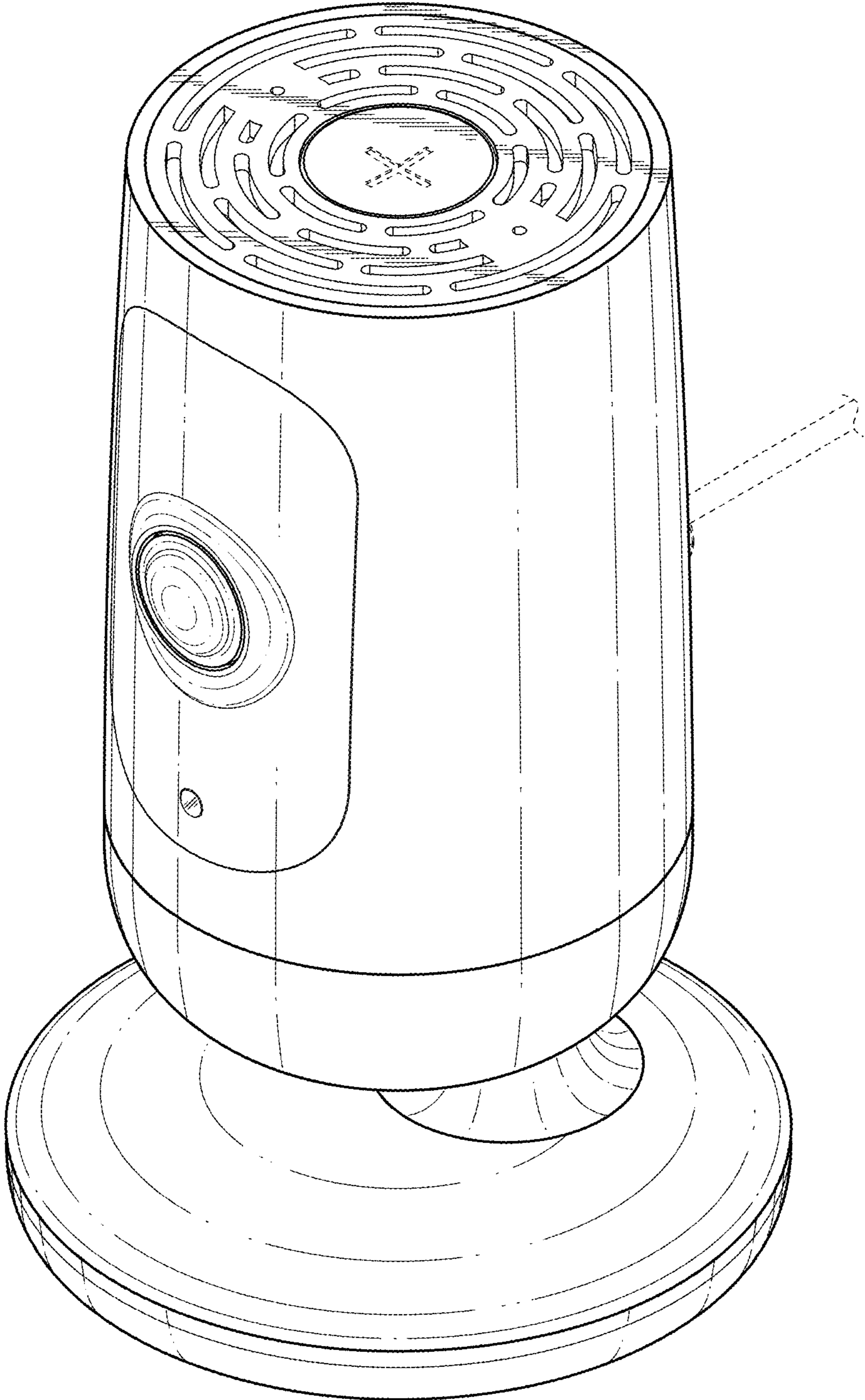


FIG. 1

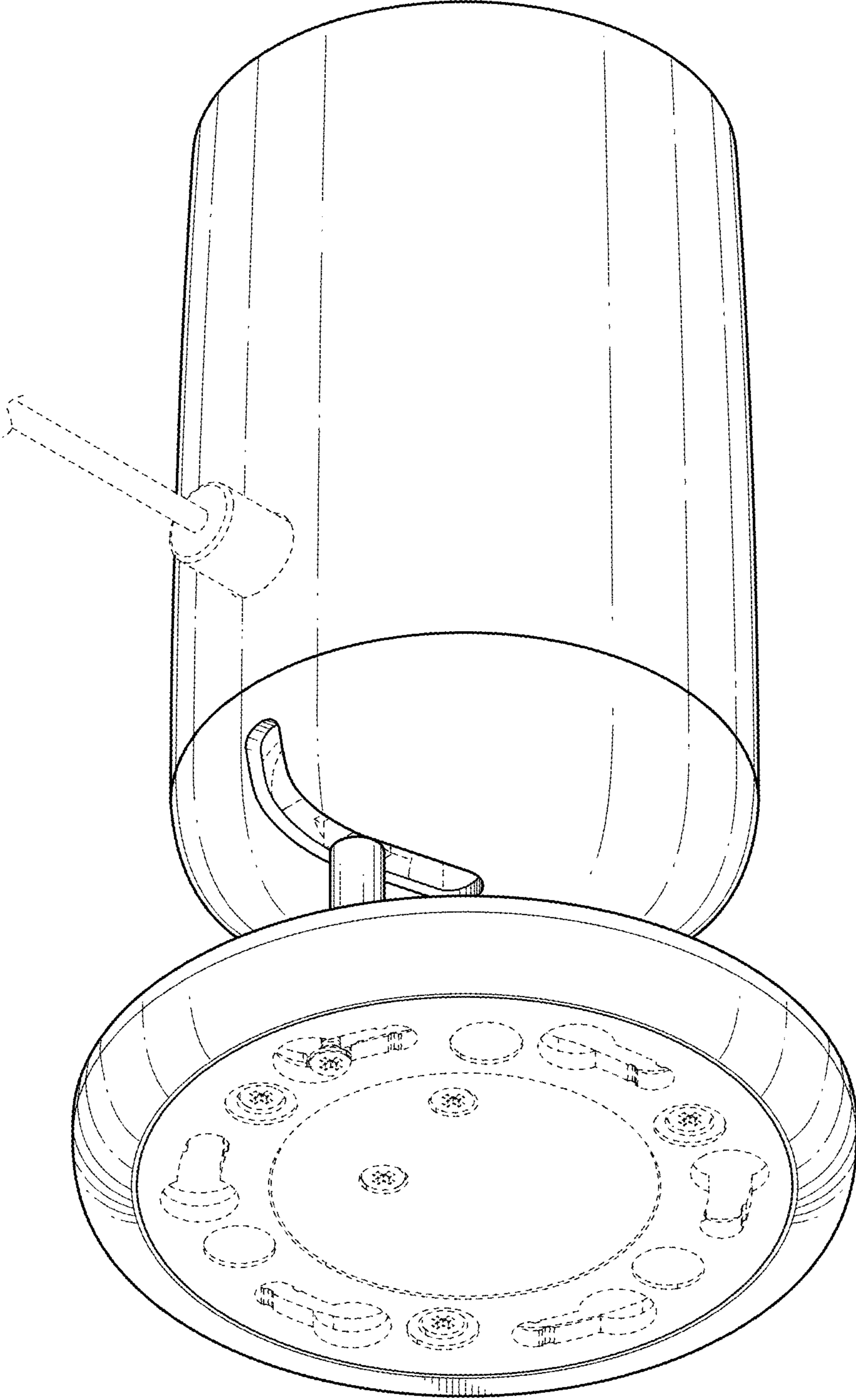


FIG. 2

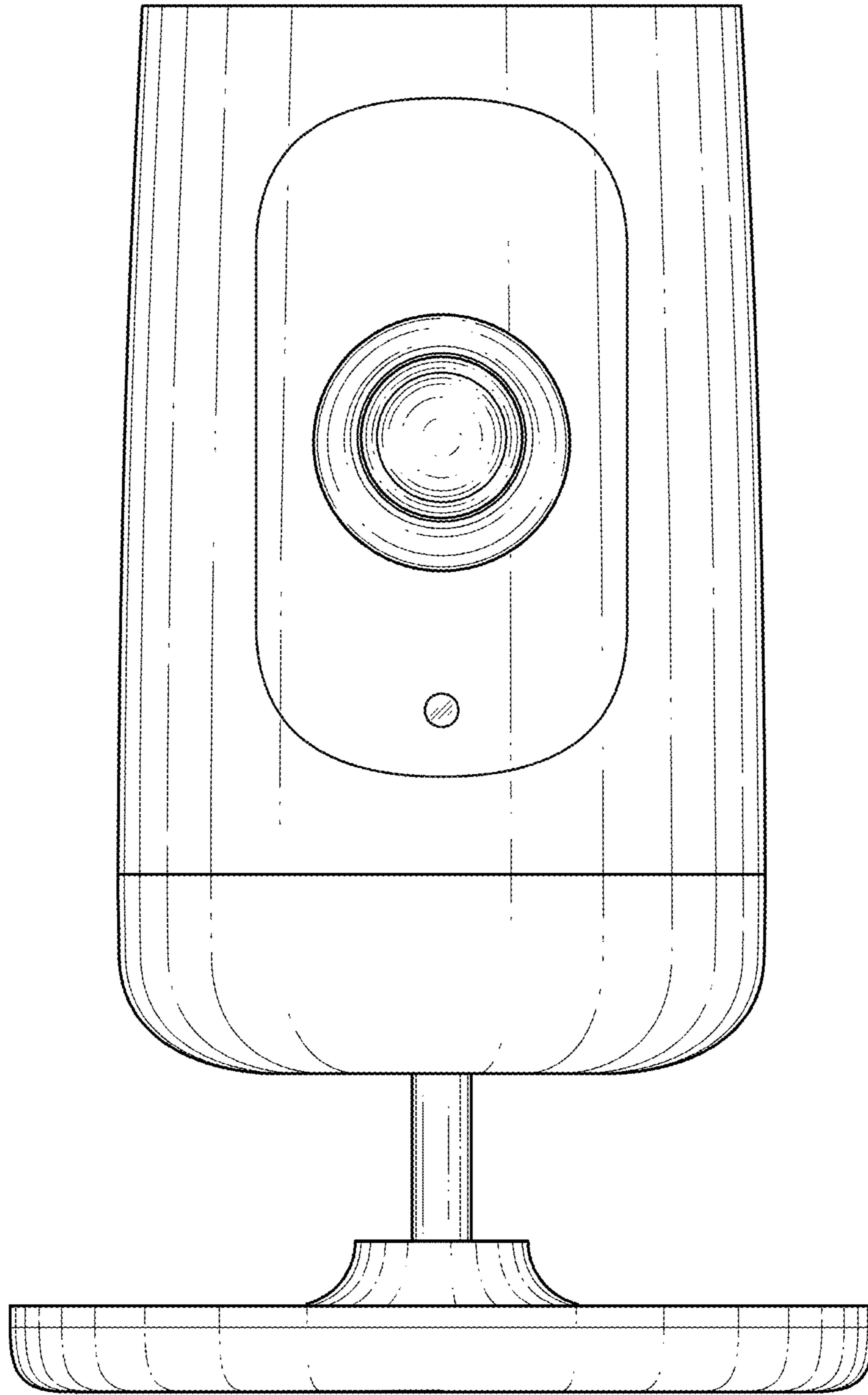


FIG. 3

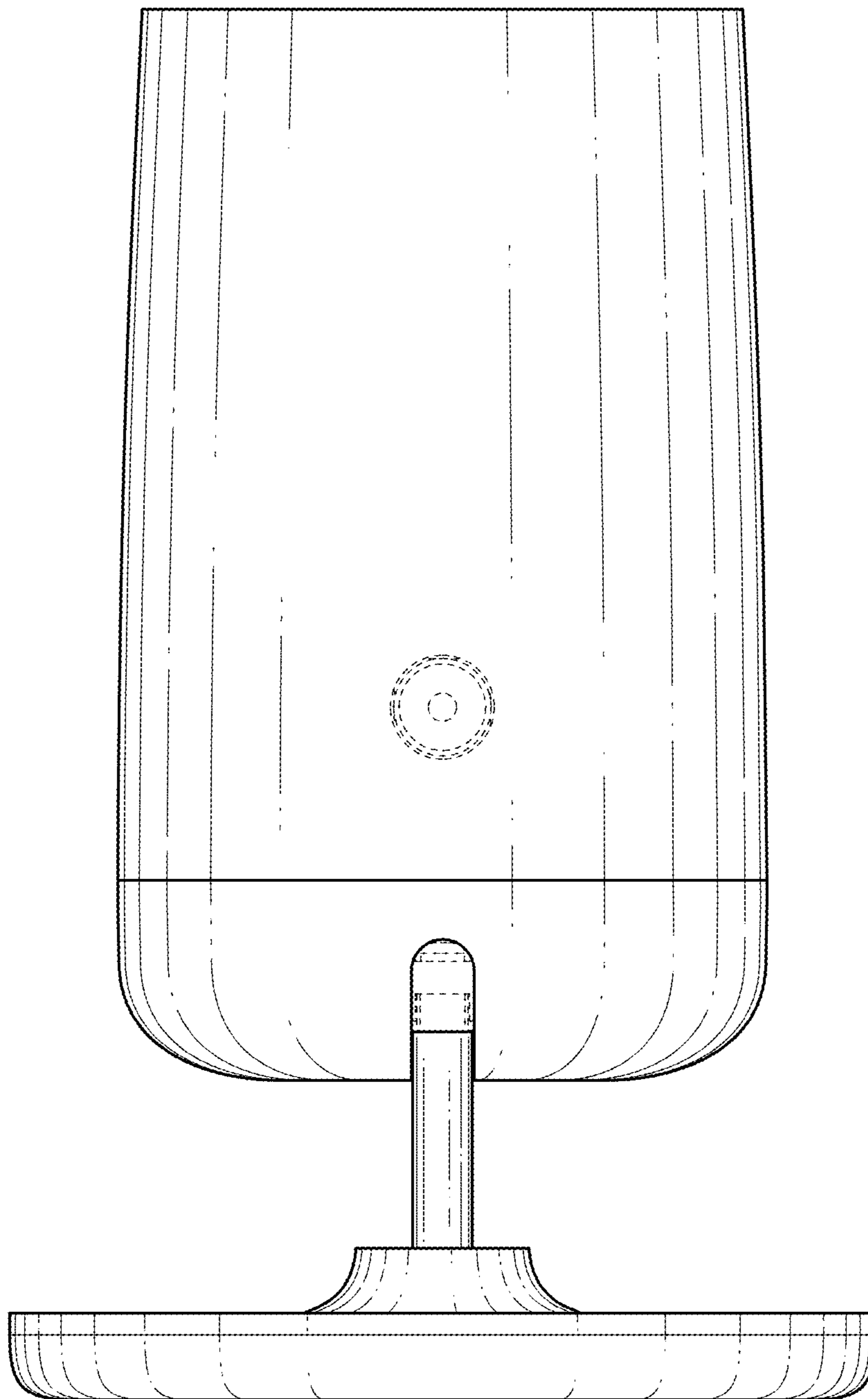


FIG. 4

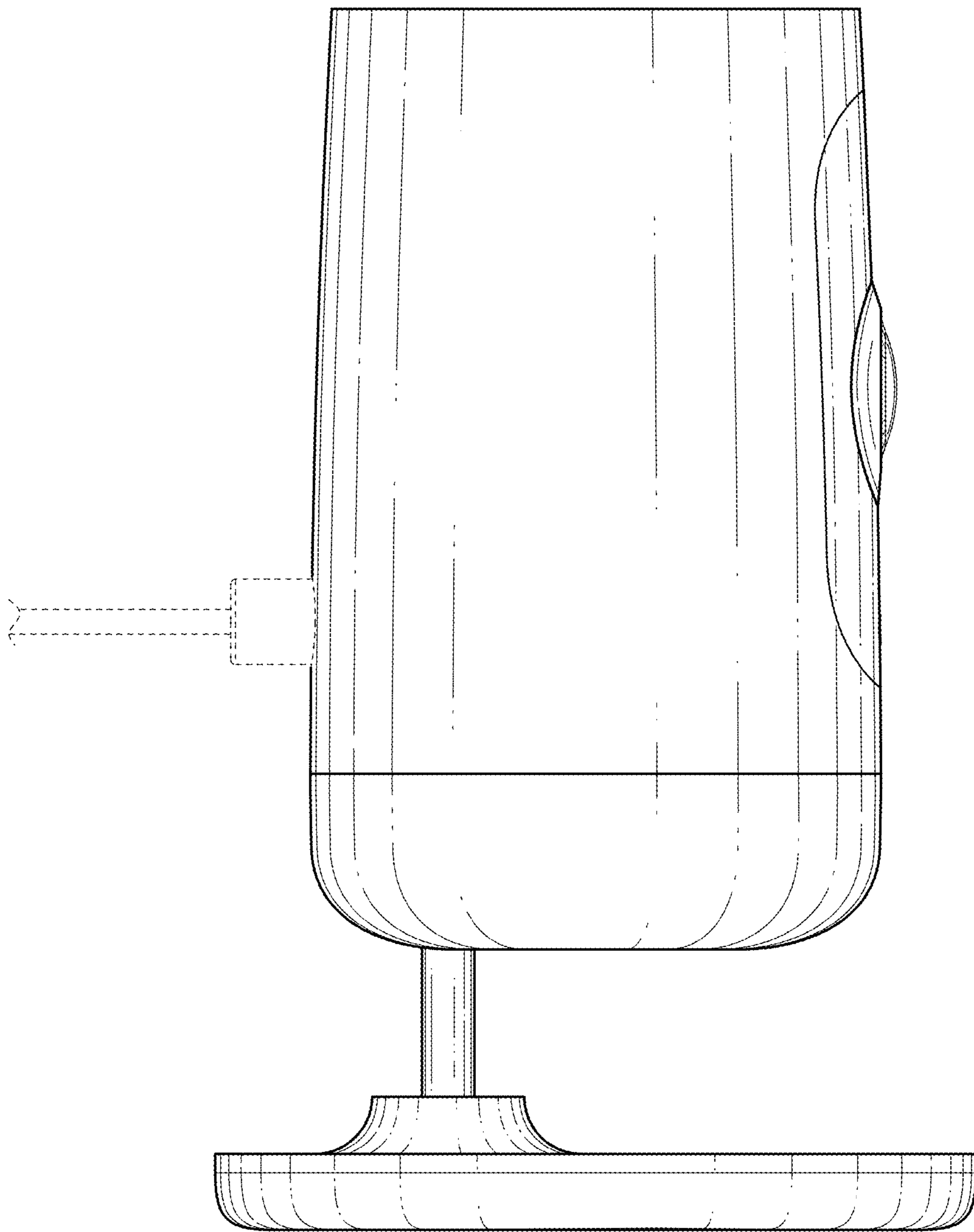


FIG. 5

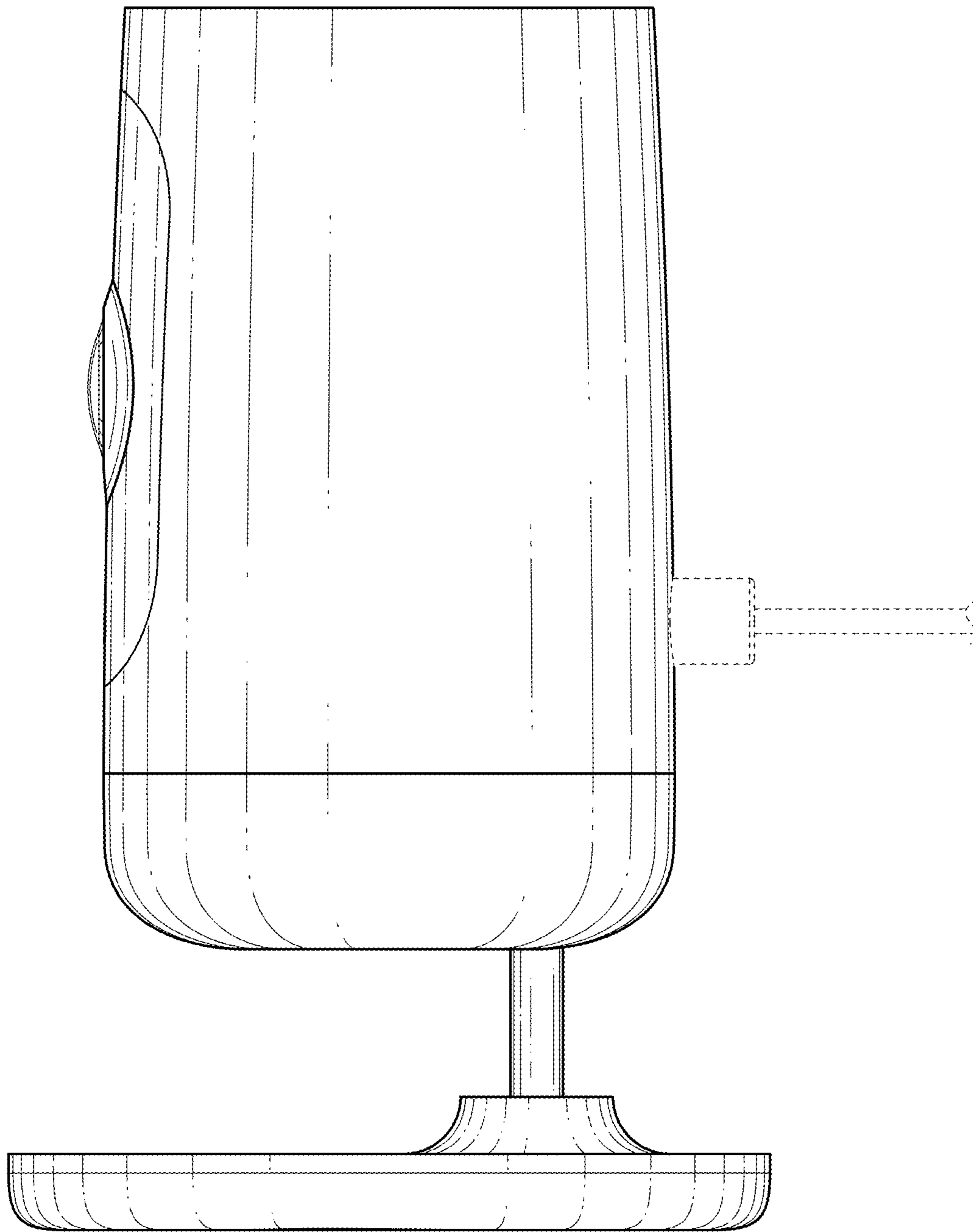


FIG. 6

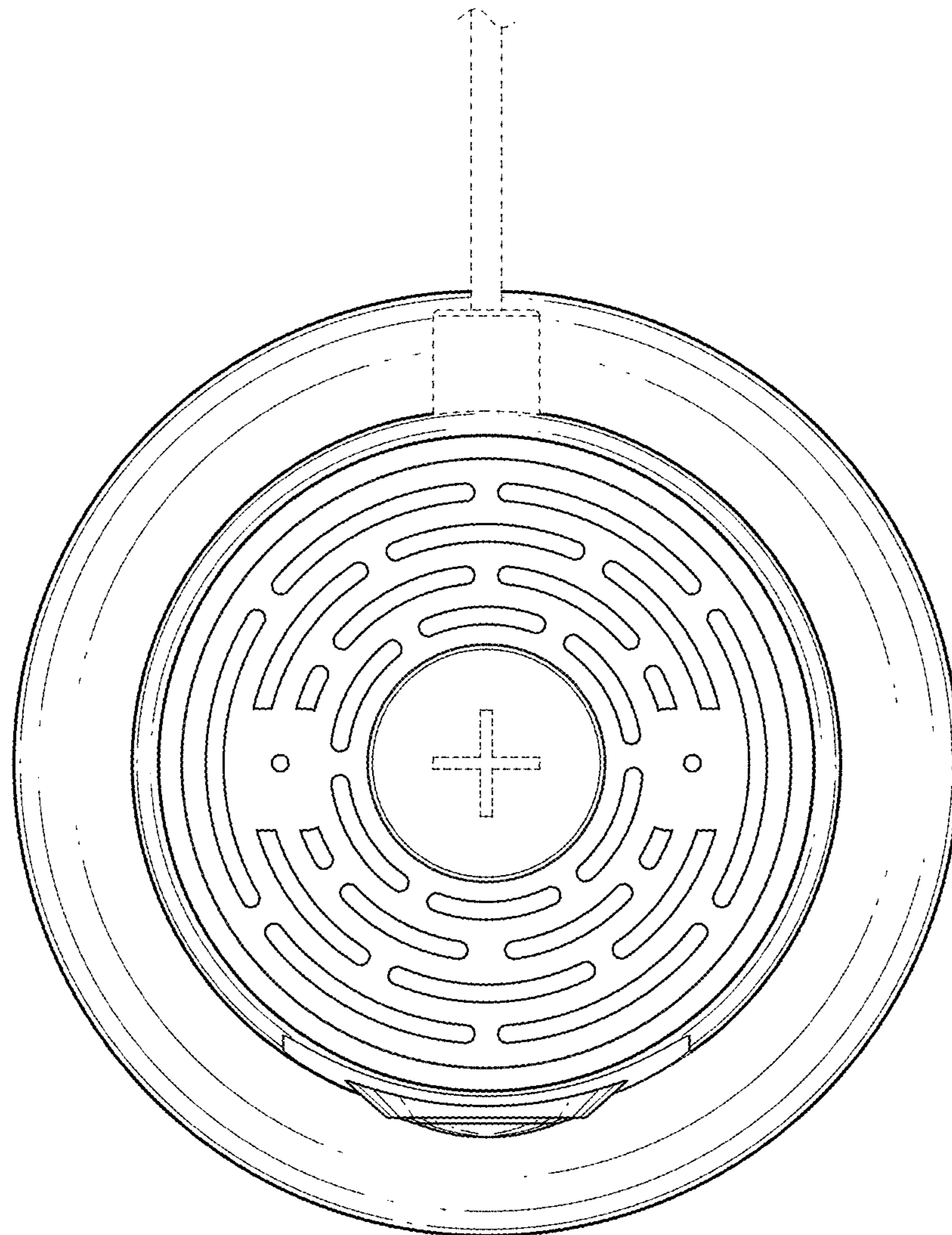


FIG. 7

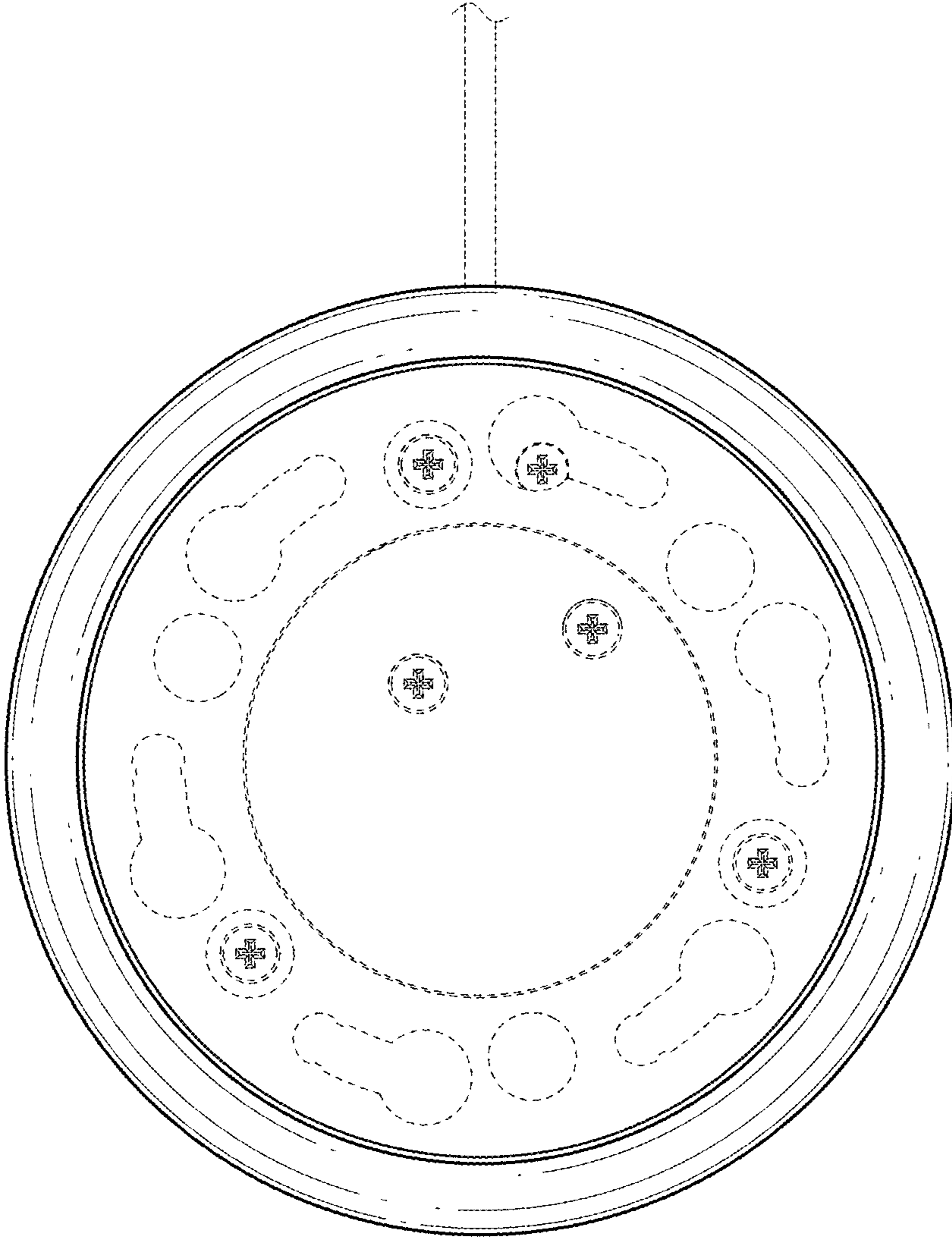


FIG. 8