



US00D810168S

(12) **United States Design Patent**  
**Shi**

(10) **Patent No.:** **US D810,168 S**

(45) **Date of Patent:** **\*\* Feb. 13, 2018**

(54) **VIDEO CAMERA**

(71) Applicant: **HANGZHOU HIKVISION DIGITAL TECHNOLOGY CO., LTD**, Binjiang District, Hangzhou (CN)

(72) Inventor: **Qiang Shi**, Binjiang District (CN)

(73) Assignee: **Hangzhou Hikvision Digital Technology Co., Ltd** (CN)

(\*\*) Term: **15 Years**

(21) Appl. No.: **29/558,999**

(22) Filed: **Mar. 23, 2016**

(30) **Foreign Application Priority Data**

Dec. 25, 2015 (CN) ..... 2015 3 0558343

(51) **LOC (11) Cl.** ..... **16-01**

(52) **U.S. Cl.**  
USPC ..... **D16/202**

(58) **Field of Classification Search**  
USPC ..... D14/124, 125, 126, 129, 133, 314, 317,  
D14/336, 348-351, 356, 420; D16/200,  
D16/201, 202, 203, 205-221, 225, 232,  
D16/235; D15/199  
CPC ..... G03B 15/03; G03B 19/04; H04N  
5/2251-5/2254

See application file for complete search history.

(56) **References Cited**

**U.S. PATENT DOCUMENTS**

D150,006 S \* 6/1948 Fung ..... D21/577  
D340,253 S \* 10/1993 Fedorczak ..... 348/143  
D389,500 S \* 1/1998 Krekelberg ..... D16/202  
D446,534 S \* 8/2001 Zimmer ..... D16/203  
D454,902 S \* 3/2002 Hsu ..... D16/202  
D455,767 S \* 4/2002 Tsang ..... D16/202

D471,927 S \* 3/2003 Kim ..... D14/240  
D475,381 S \* 6/2003 Komatsu ..... D16/202  
D477,344 S \* 7/2003 Ng ..... D16/202  
D478,922 S \* 8/2003 Han ..... D16/202  
D481,404 S \* 10/2003 Ng ..... D16/202  
D485,853 S \* 1/2004 Daniels ..... D16/203  
D500,067 S \* 12/2004 Liu ..... D16/202  
D503,182 S \* 3/2005 Ogura ..... D16/202  
D507,007 S \* 7/2005 Sitoh ..... D16/202  
D524,839 S \* 7/2006 Wen ..... D16/202  
D527,755 S \* 9/2006 Wu ..... D16/202  
D552,649 S \* 10/2007 Logan ..... D16/200  
D561,798 S \* 2/2008 Wen ..... D16/202  
D562,870 S \* 2/2008 Komatsu ..... D16/203  
D590,863 S \* 4/2009 Ke ..... D16/202  
D608,811 S \* 1/2010 Frank ..... D16/203  
D628,223 S \* 11/2010 Kao ..... D16/202  
D719,202 S \* 12/2014 Lee ..... D16/202

\* cited by examiner

*Primary Examiner* — Susan E Krakower

*Assistant Examiner* — L. A. Grabenstetter

(74) *Attorney, Agent, or Firm* — McAfee & Taft

(57) **CLAIM**

The ornamental design for a video camera, as shown and described.

**DESCRIPTION**

FIG. 1 is a front view of the video camera showing the new design.

FIG. 2 is a rear view of the video camera.

FIG. 3 is a top view of the video camera.

FIG. 4 is a bottom view of the video camera.

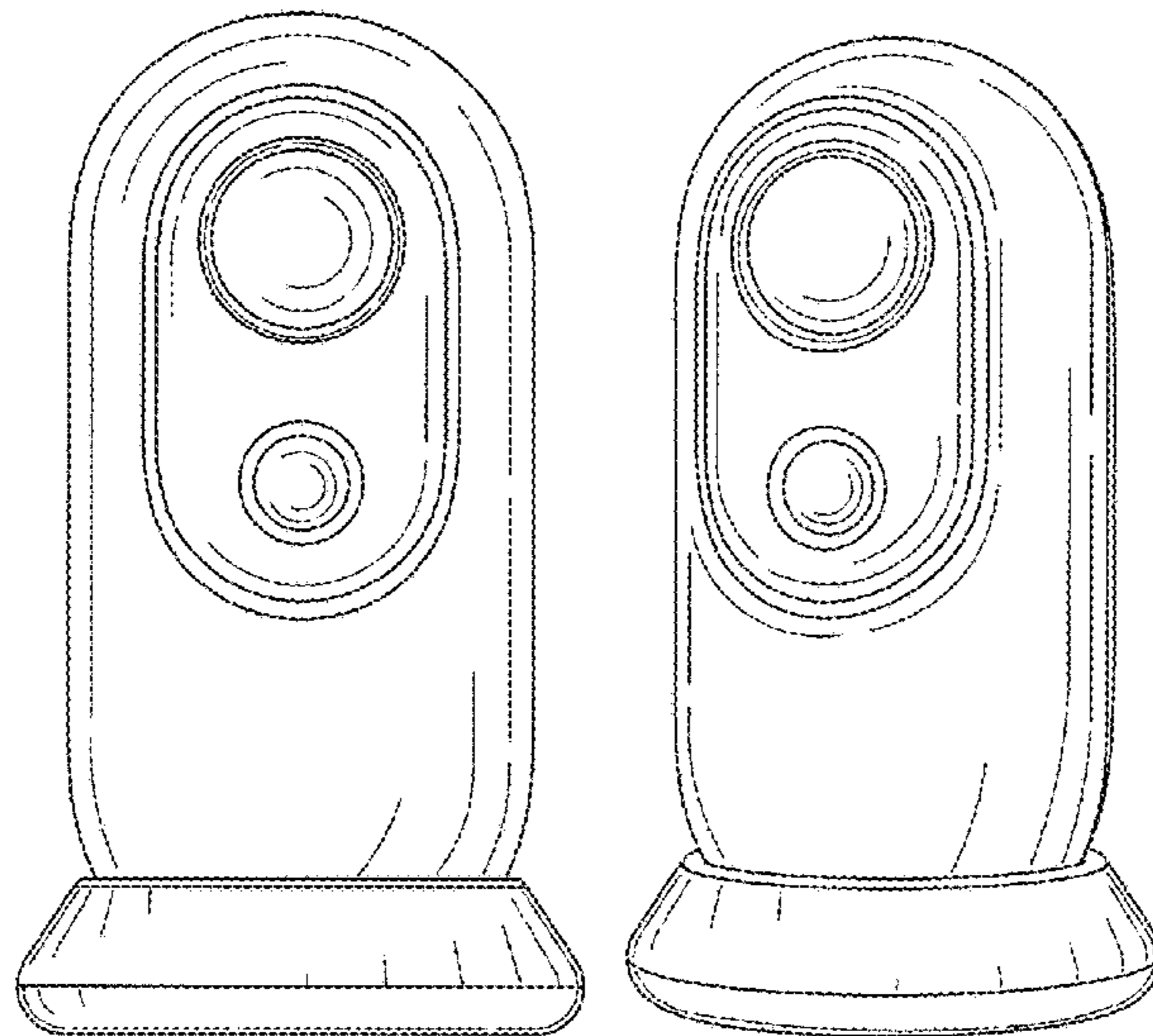
FIG. 5 is a right-side view of the video camera.

FIG. 6 is a left-side view of the video camera.

FIG. 7 is a front perspective view of the video camera; and, FIG. 8 is a rear perspective view of the video camera.

The broken lines depict unclaimed portions of the video camera.

**1 Claim, 3 Drawing Sheets**



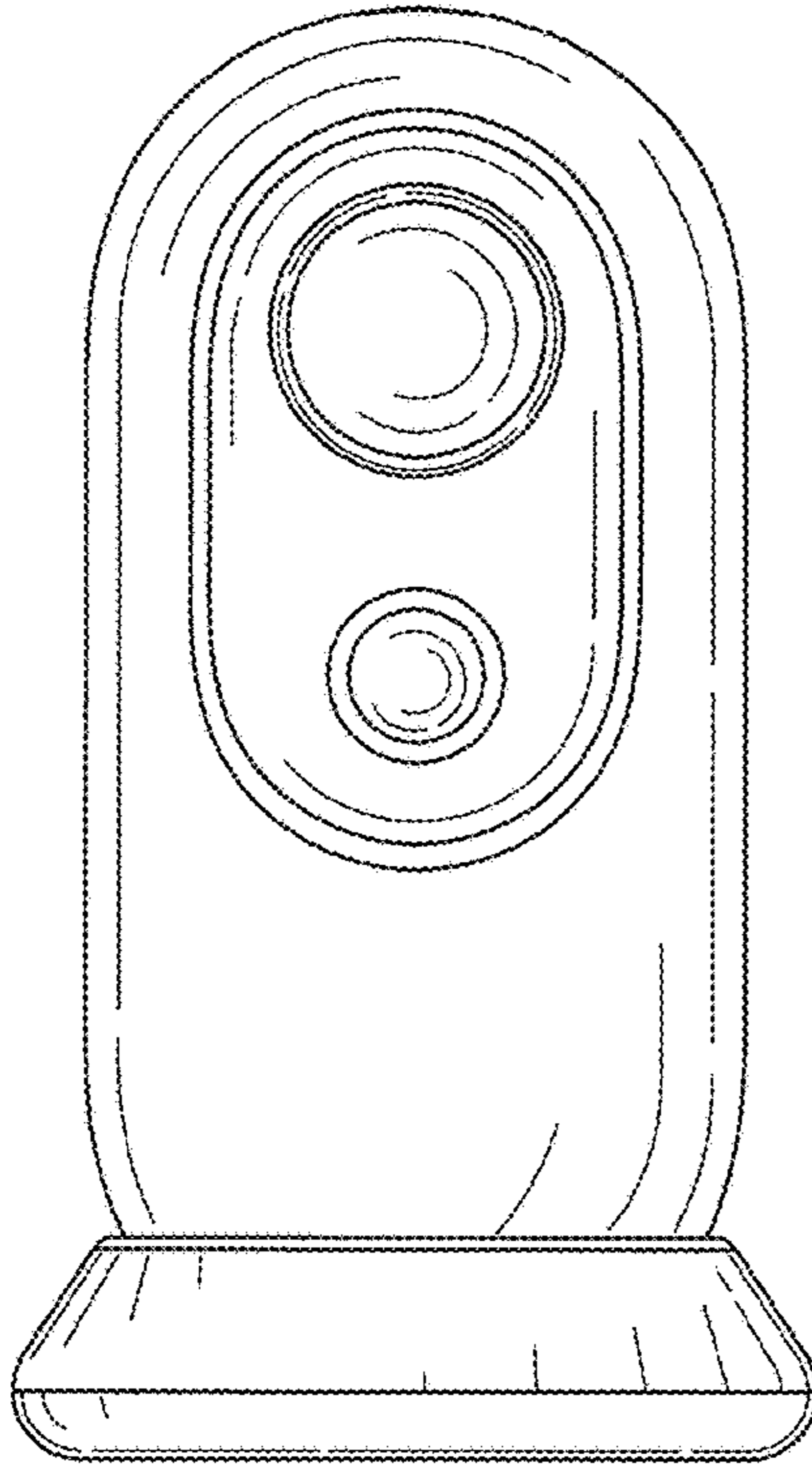


FIG. 1

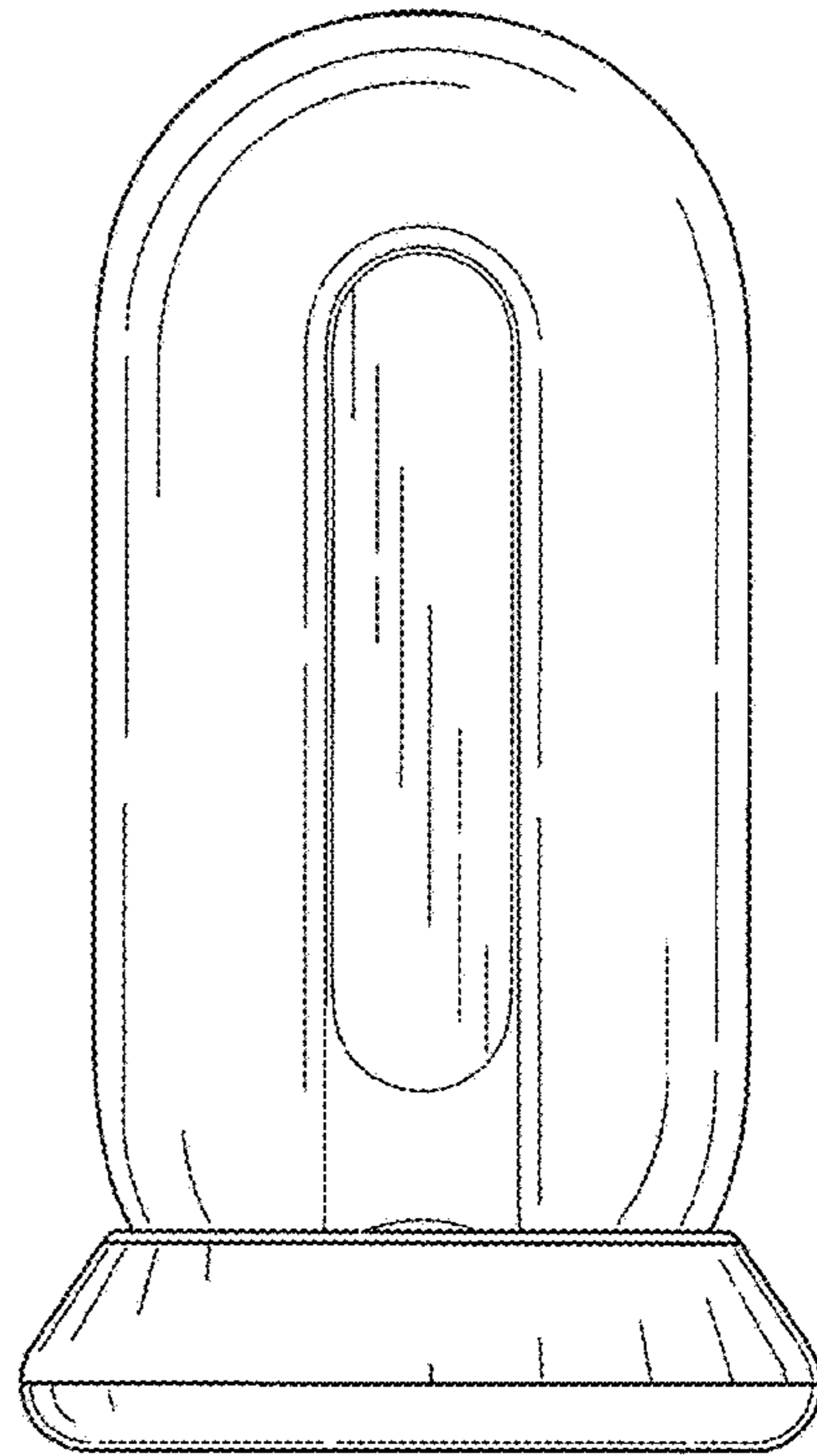


FIG. 2

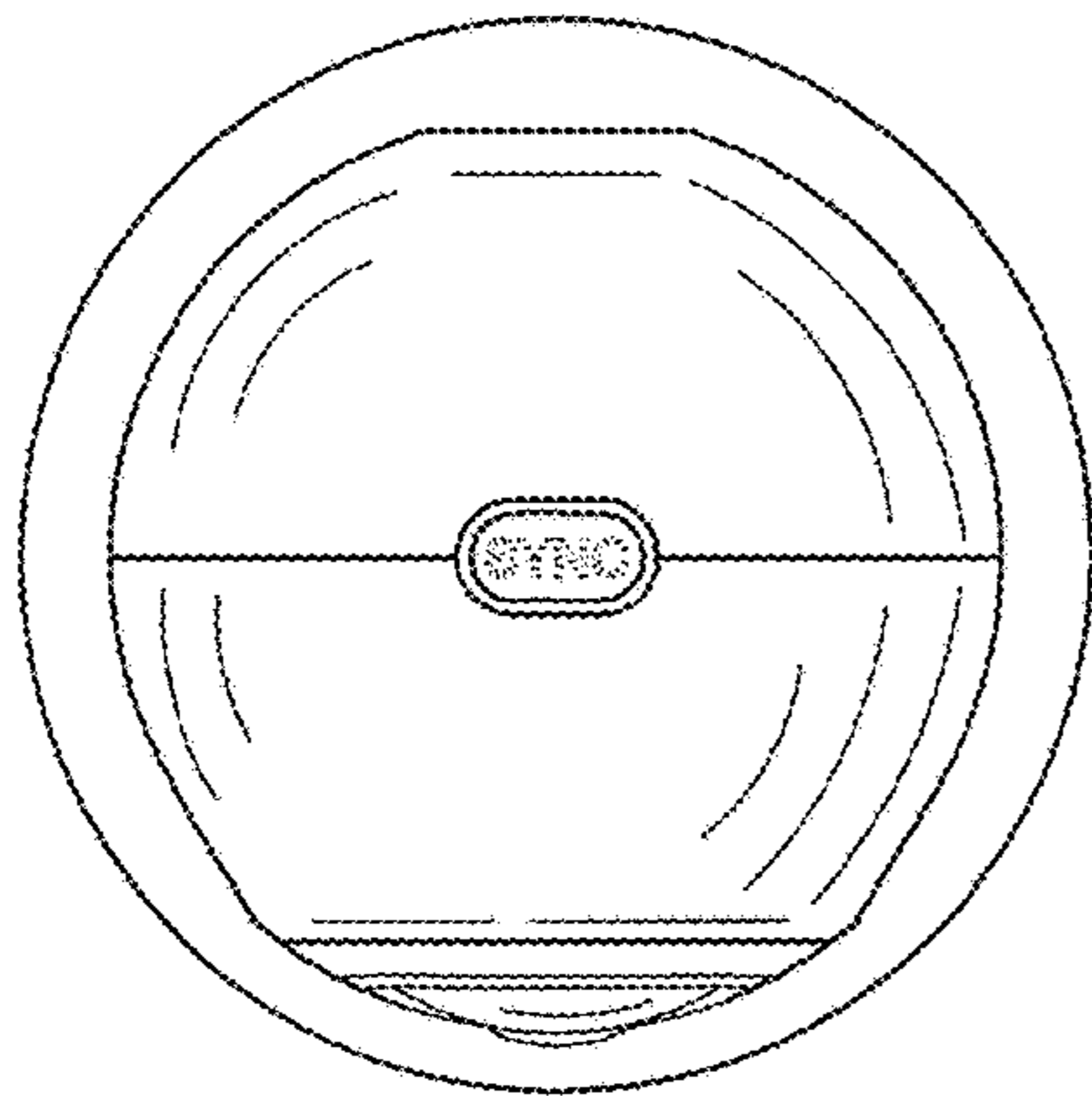


FIG. 3

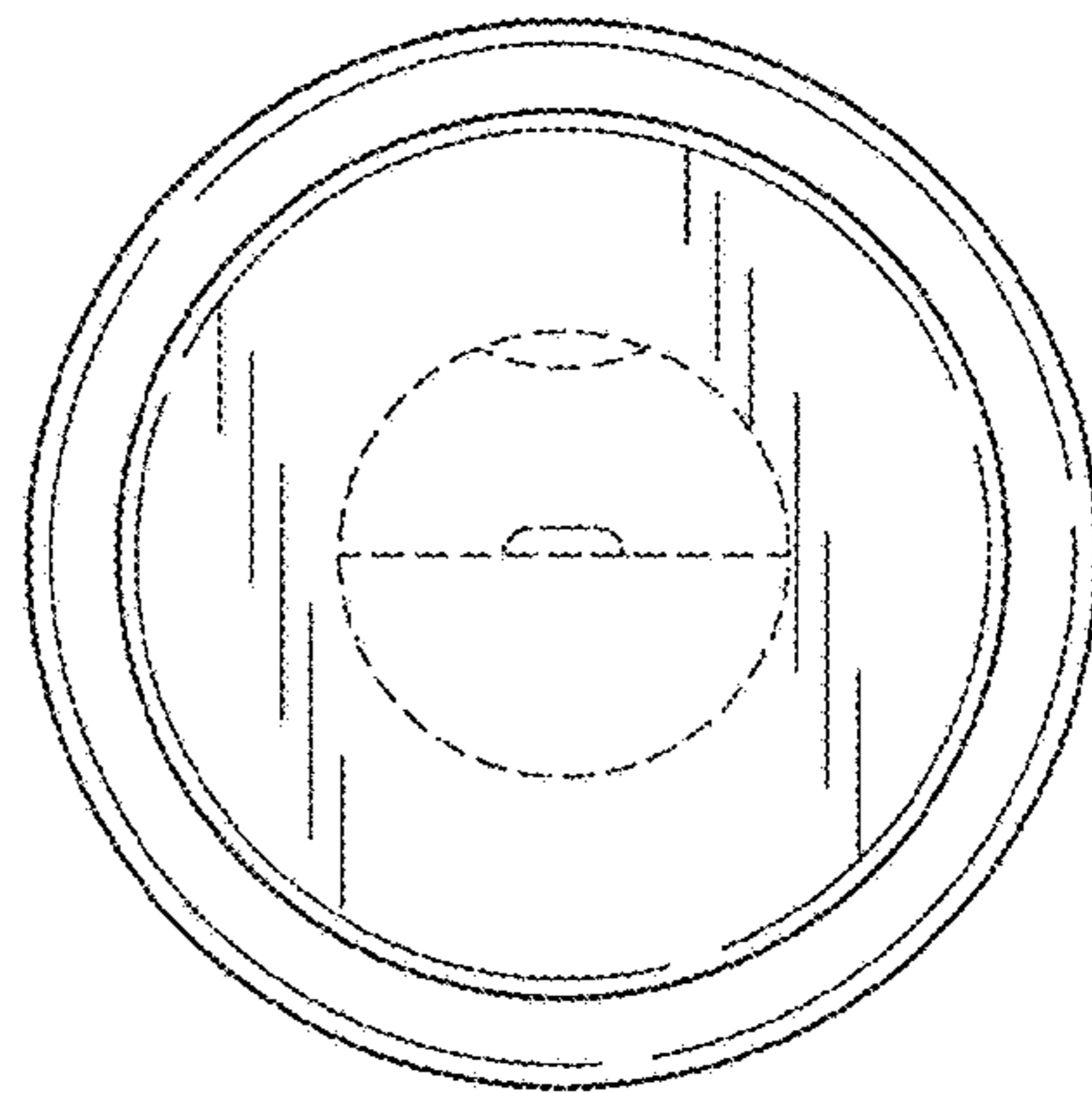


FIG. 4

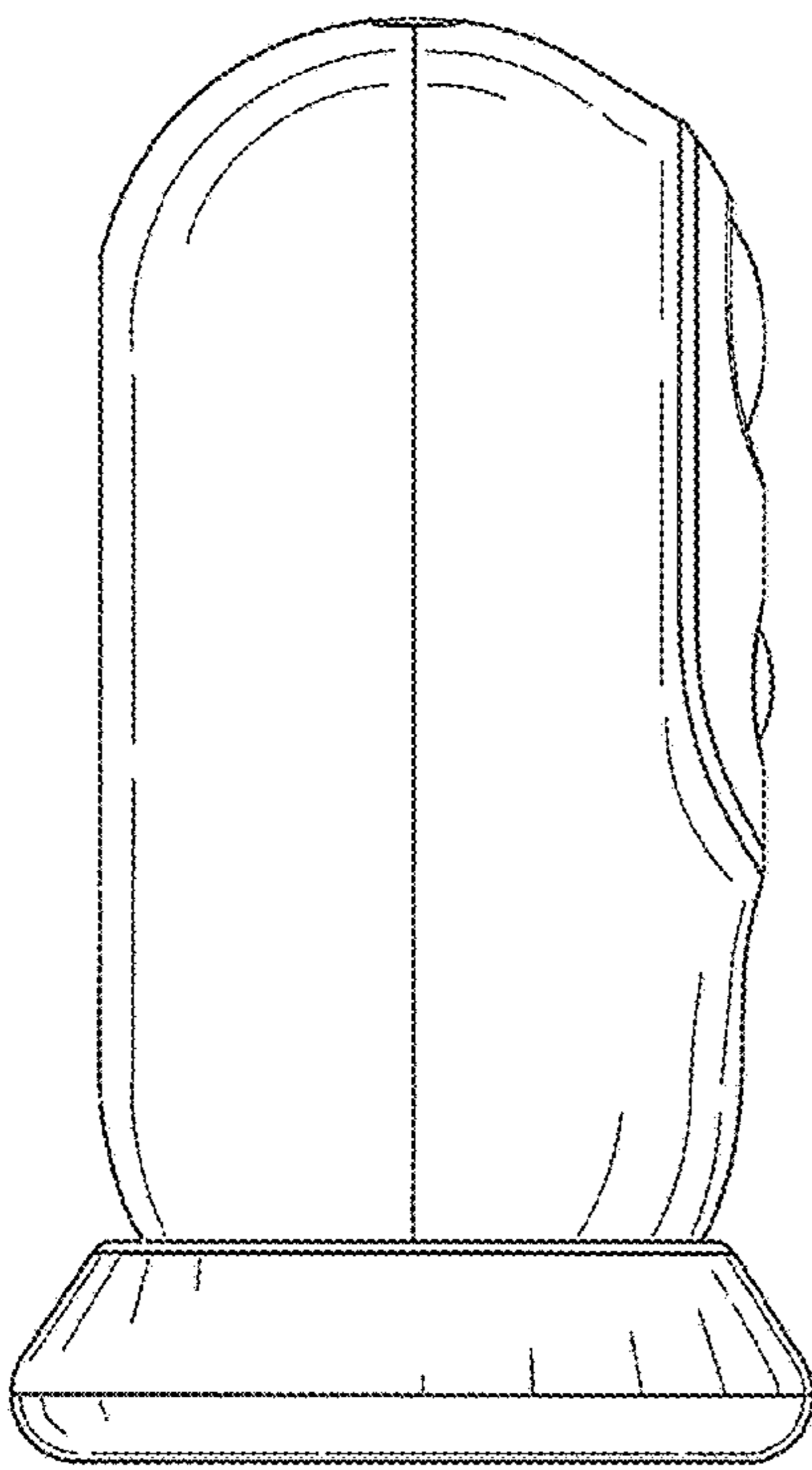


FIG. 5

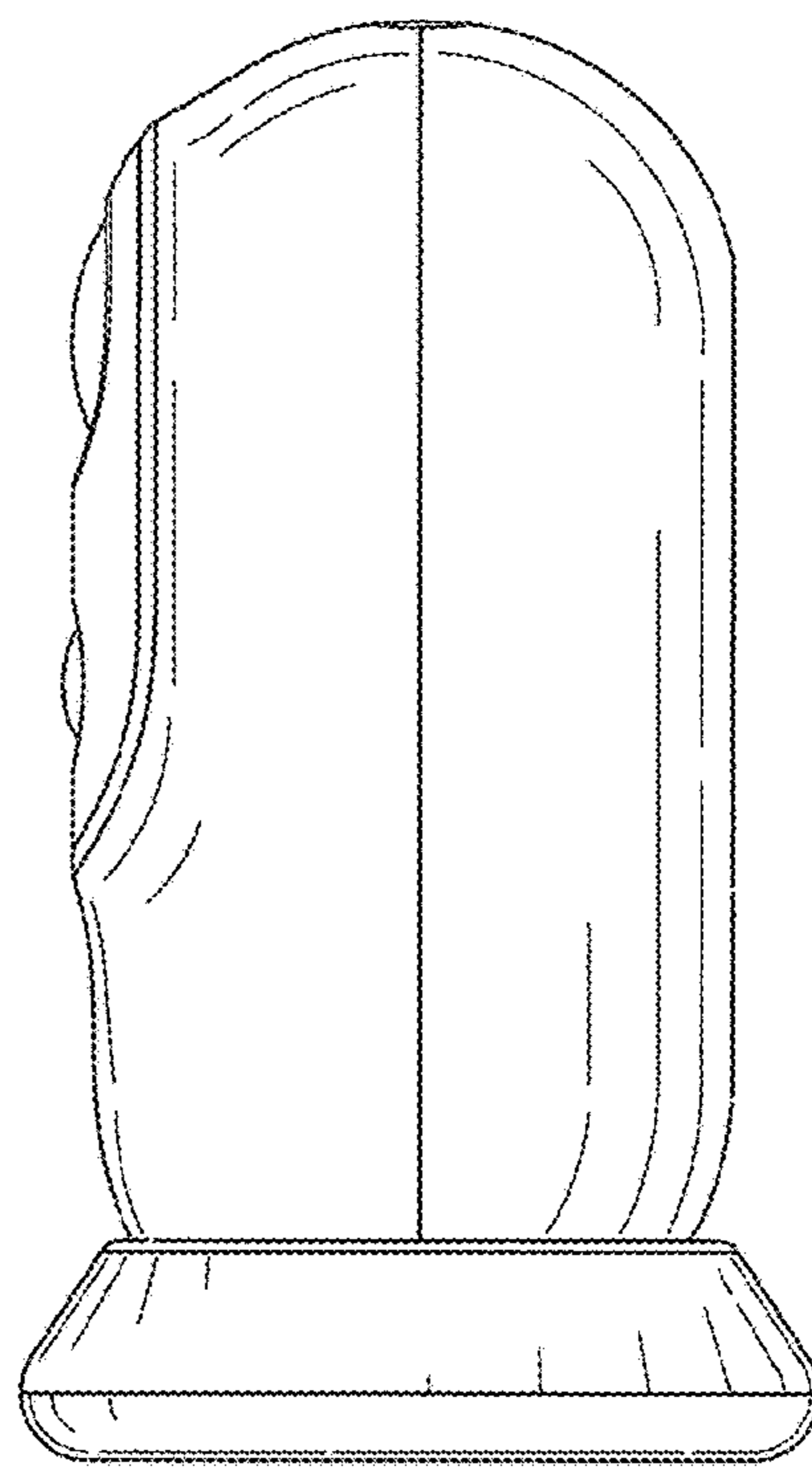


FIG. 6



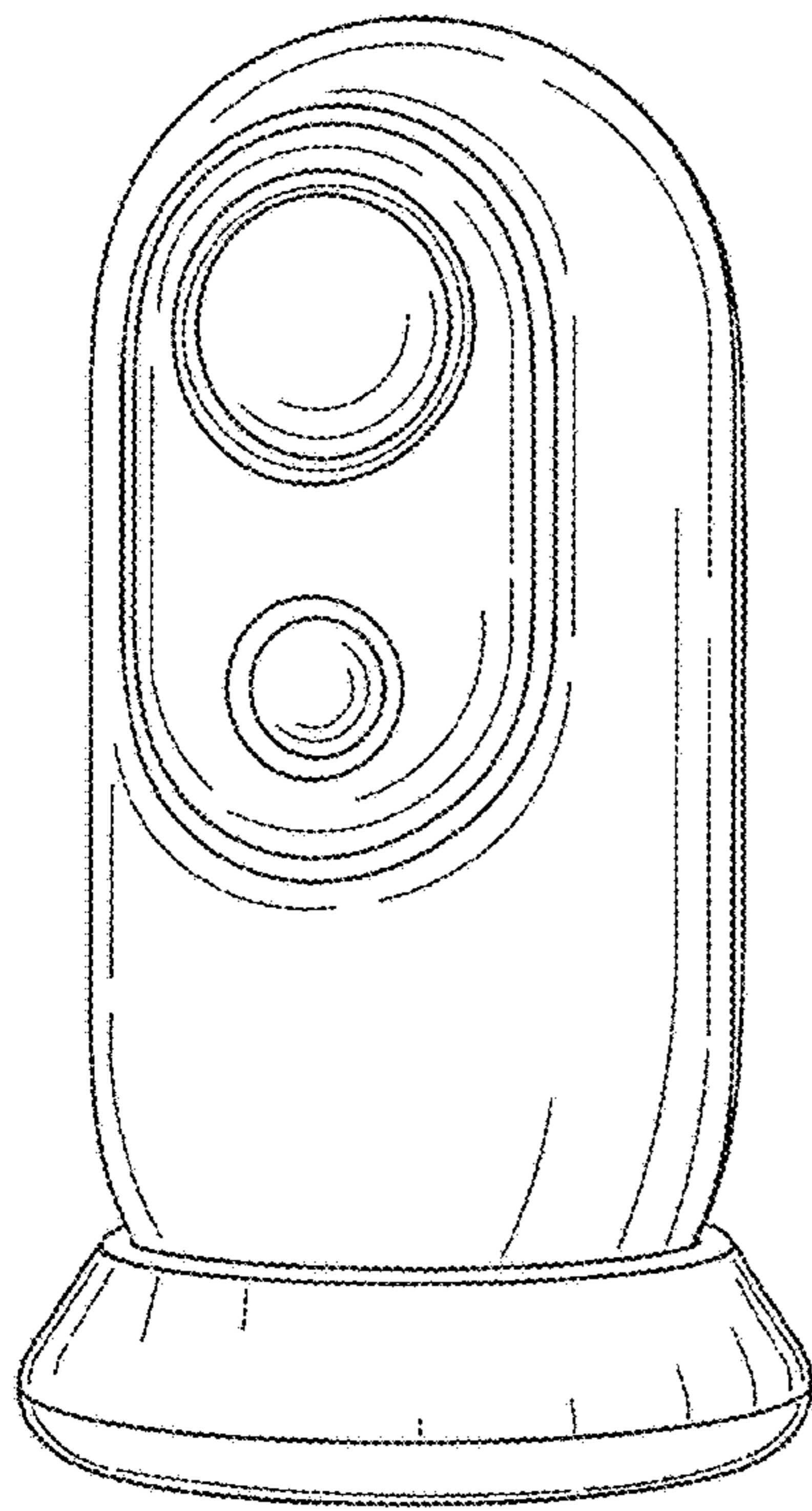


FIG. 2

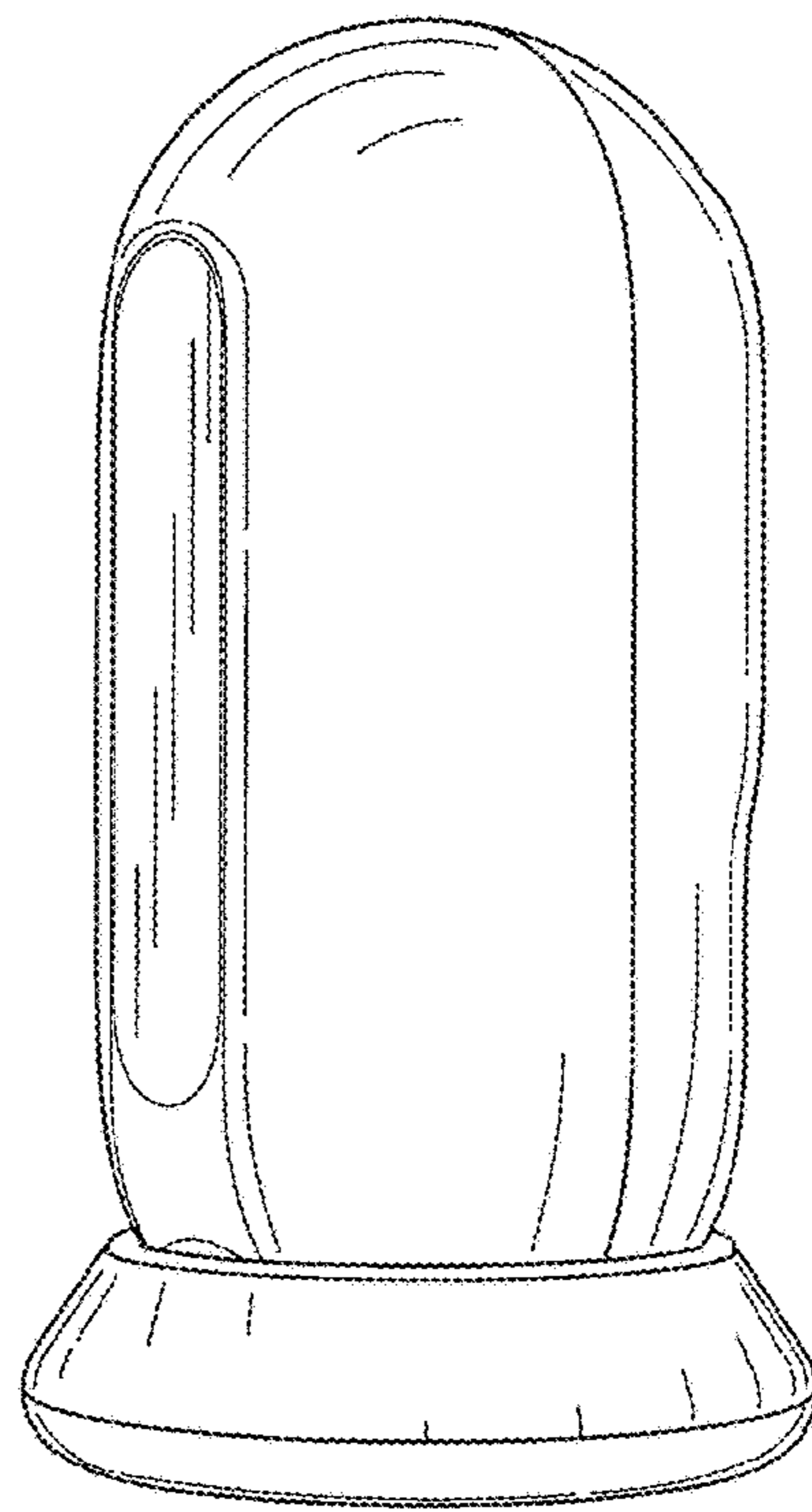


FIG. 3