



US00D810167S

(12) **United States Design Patent**
Yang

(10) **Patent No.:** **US D810,167 S**

(45) **Date of Patent:** **** Feb. 13, 2018**

(54) **SERVICE ROBOT**

(71) Applicant: **KINPO ELECTRONICS, INC.**, New Taipei (TW)

(72) Inventor: **Huan-Yuan Yang**, New Taipei (TW)

(73) Assignee: **KINPO ELECTRONICS, INC.**, New Taipei (TW)

(**) Term: **15 Years**

(21) Appl. No.: **29/589,840**

(22) Filed: **Jan. 5, 2017**

(51) **LOC (11) Cl.** **15-99**

(52) **U.S. Cl.**
USPC **D15/199**

(58) **Field of Classification Search**
USPC D15/199; D21/578-583, 621, 622
CPC B25J 9/044; B25J 9/102; G06F 3/0485;
Y10T 74/20305

See application file for complete search history.

(56) **References Cited**

U.S. PATENT DOCUMENTS

D285,599 S *	9/1986	Forino	D21/578
D450,788 S *	11/2001	Kawasaki	D21/578
D549,756 S *	8/2007	Park	D15/199
D559,288 S *	1/2008	Matsuda	D15/199
D563,443 S *	3/2008	Ahn	D15/199
D579,035 S *	10/2008	Kim	B25J 11/008
				D15/199
D635,603 S *	4/2011	Paz Rodriguez	D15/199
D644,256 S *	8/2011	Kitano	D15/199
D675,656 S *	2/2013	Sutherland	D15/199
D701,256 S *	3/2014	Song	D15/199
D719,620 S *	12/2014	Clerc	B25J 5/007
				D15/199

D725,166 S *	3/2015	Paik	D15/199
D725,167 S *	3/2015	Song	D15/199
D726,836 S *	4/2015	Song	D15/199
D732,096 S *	6/2015	Jang	D15/199
D735,258 S *	7/2015	Jang	D15/199
D739,450 S *	9/2015	Jain	D15/199
D760,673 S *	7/2016	Chalabi	D14/125
D761,894 S *	7/2016	Ho	D15/199
D765,180 S *	8/2016	Huang	D20/5
D766,644 S *	9/2016	Huang	D15/199
D781,945 S *	3/2017	Uno	D15/199
D793,145 S *	8/2017	Huang	D15/199
D799,575 S *	10/2017	Tang	D15/199
9,776,327 B2 *	10/2017	Pinter	B25J 9/1676

* cited by examiner

Primary Examiner — Patricia A Palasik

(74) *Attorney, Agent, or Firm* — Chun-Ming Shih; HDLS IPR Services

(57) **CLAIM**

The ornamental design for a service robot, as shown and described.

DESCRIPTION

FIG. 1 is a perspective view of a service robot showing my new design;

FIG. 2 is a front view thereof;

FIG. 3 is a rear view thereof;

FIG. 4 is a left side view thereof;

FIG. 5 is a right side view thereof;

FIG. 6 is a top view thereof;

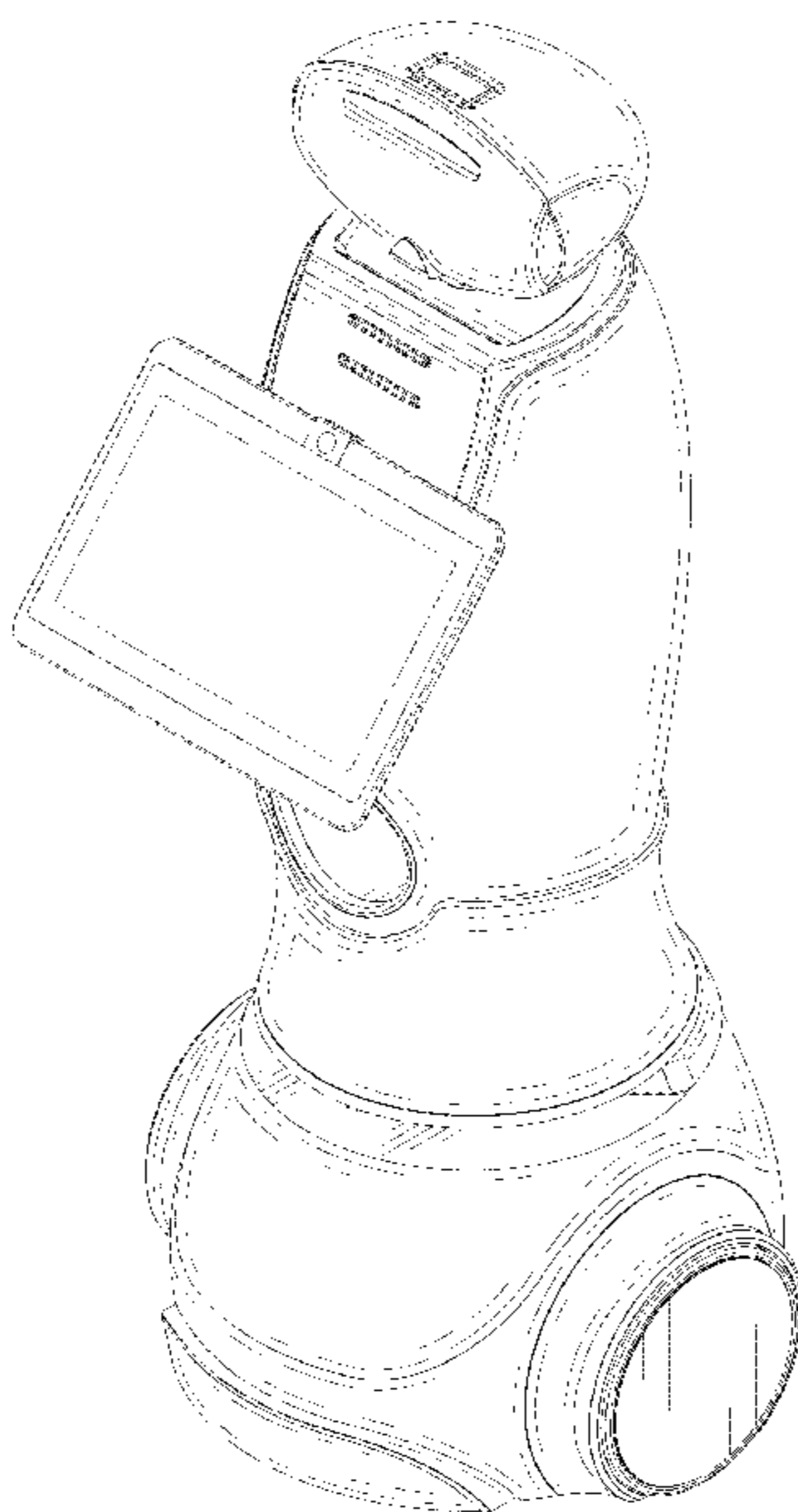
FIG. 7 is a bottom view thereof;

FIG. 8 is second perspective view; and,

FIG. 9 is a perspective view showing the service robot in use.

The broken lines in the drawings depict unclaimed environmental subject matter.

1 Claim, 9 Drawing Sheets



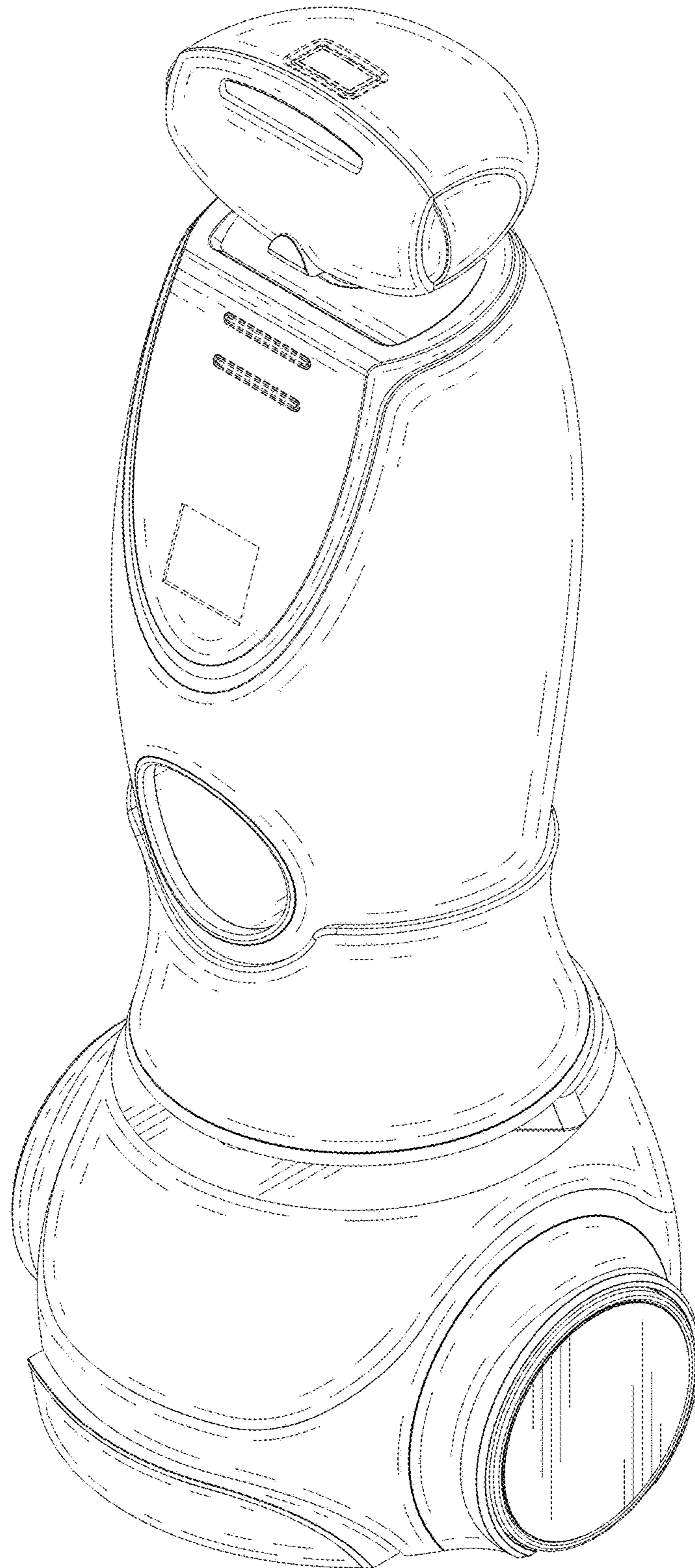


FIG.1

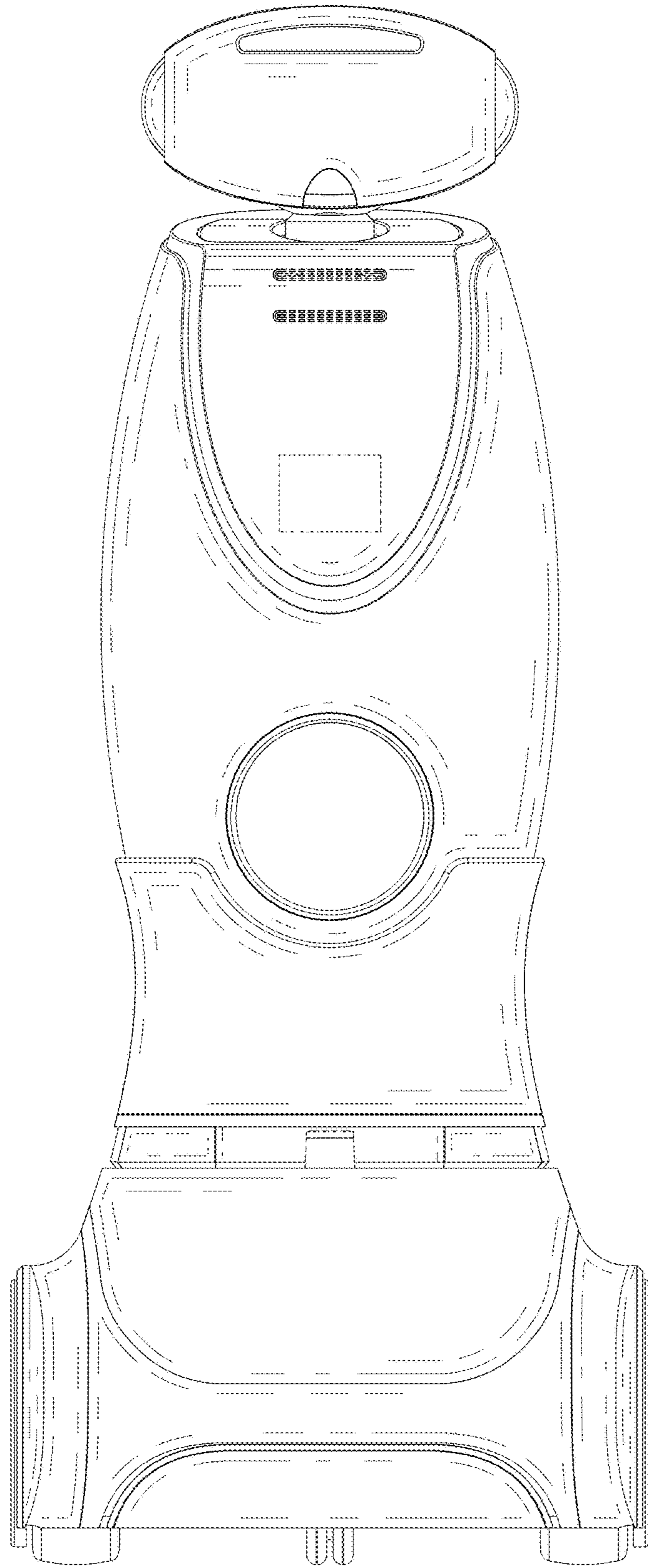


FIG.2

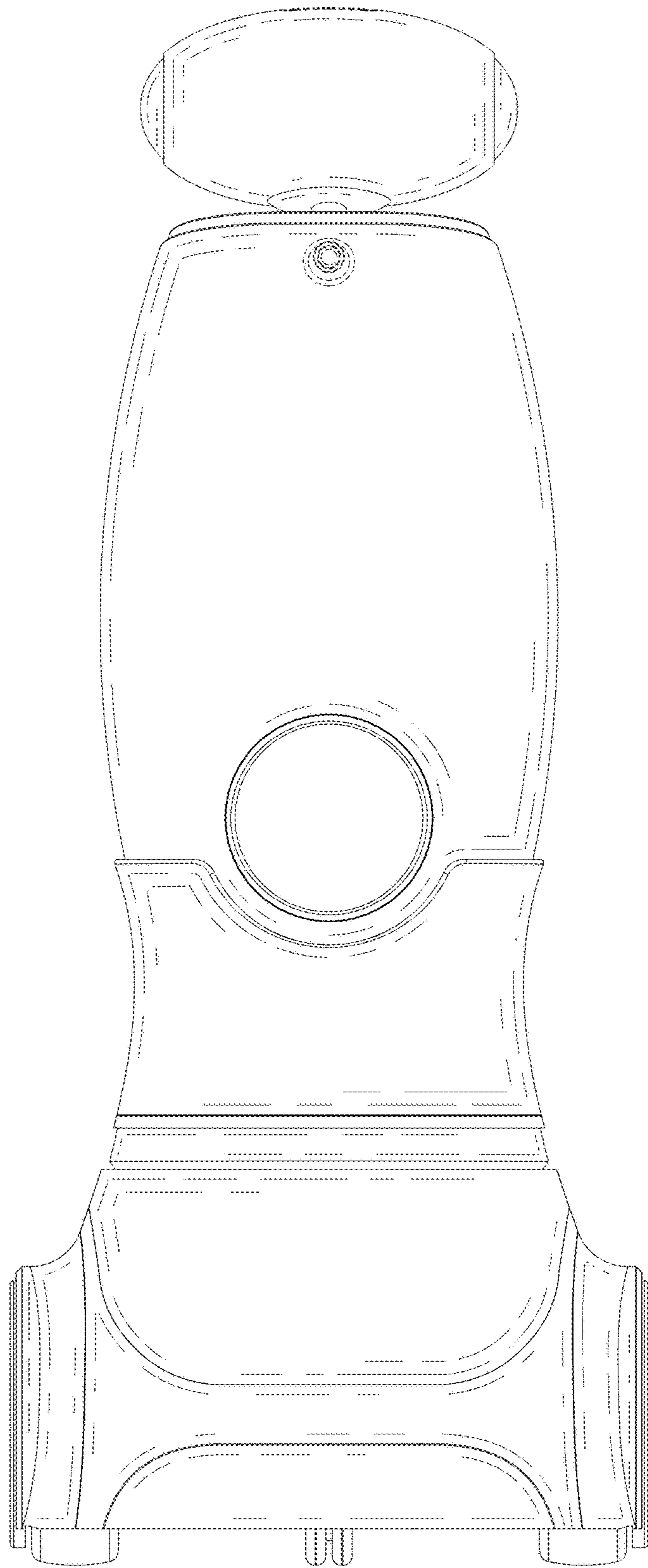


FIG.3

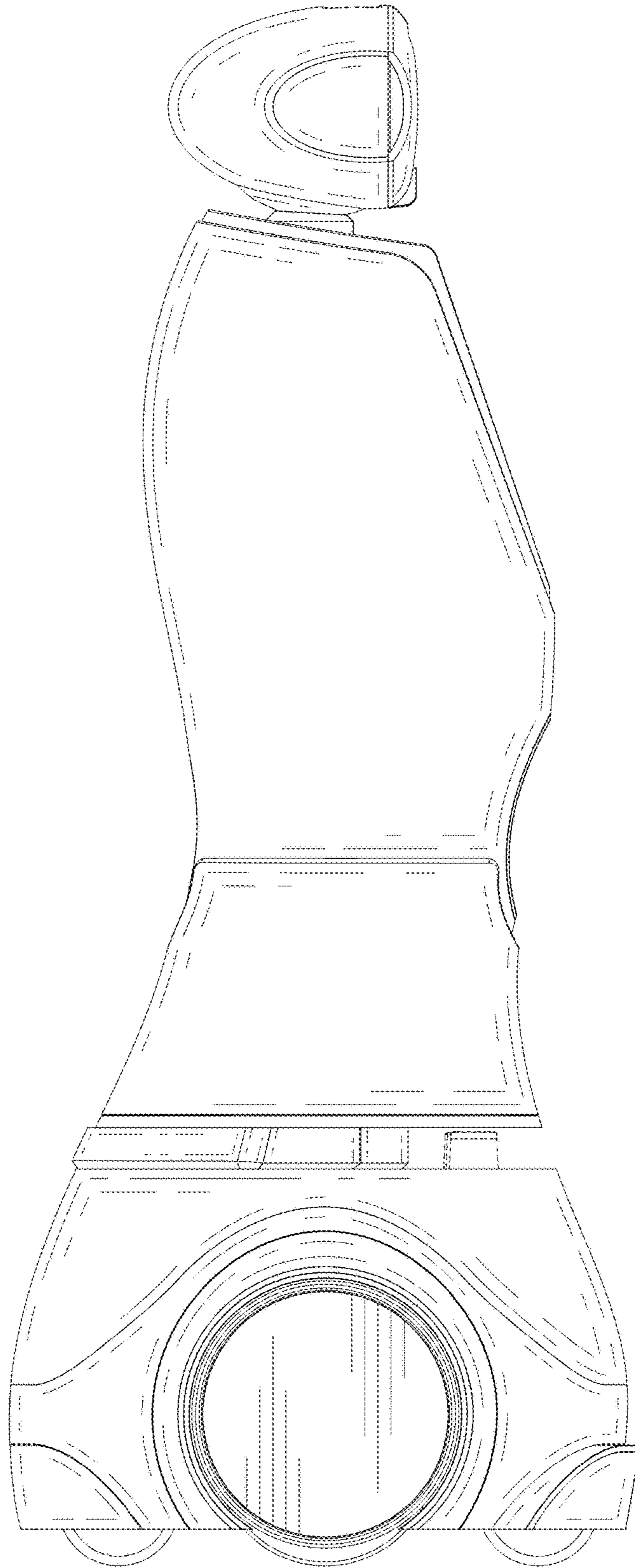


FIG.4

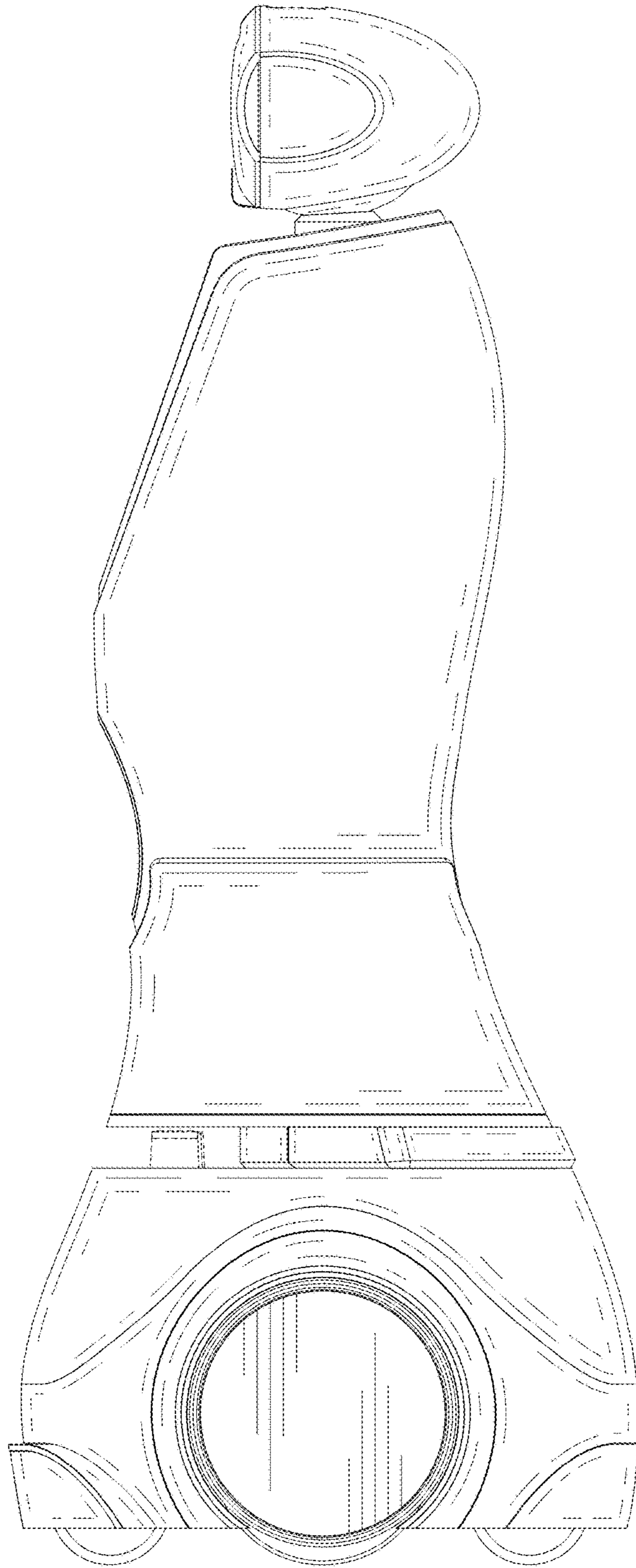


FIG.5

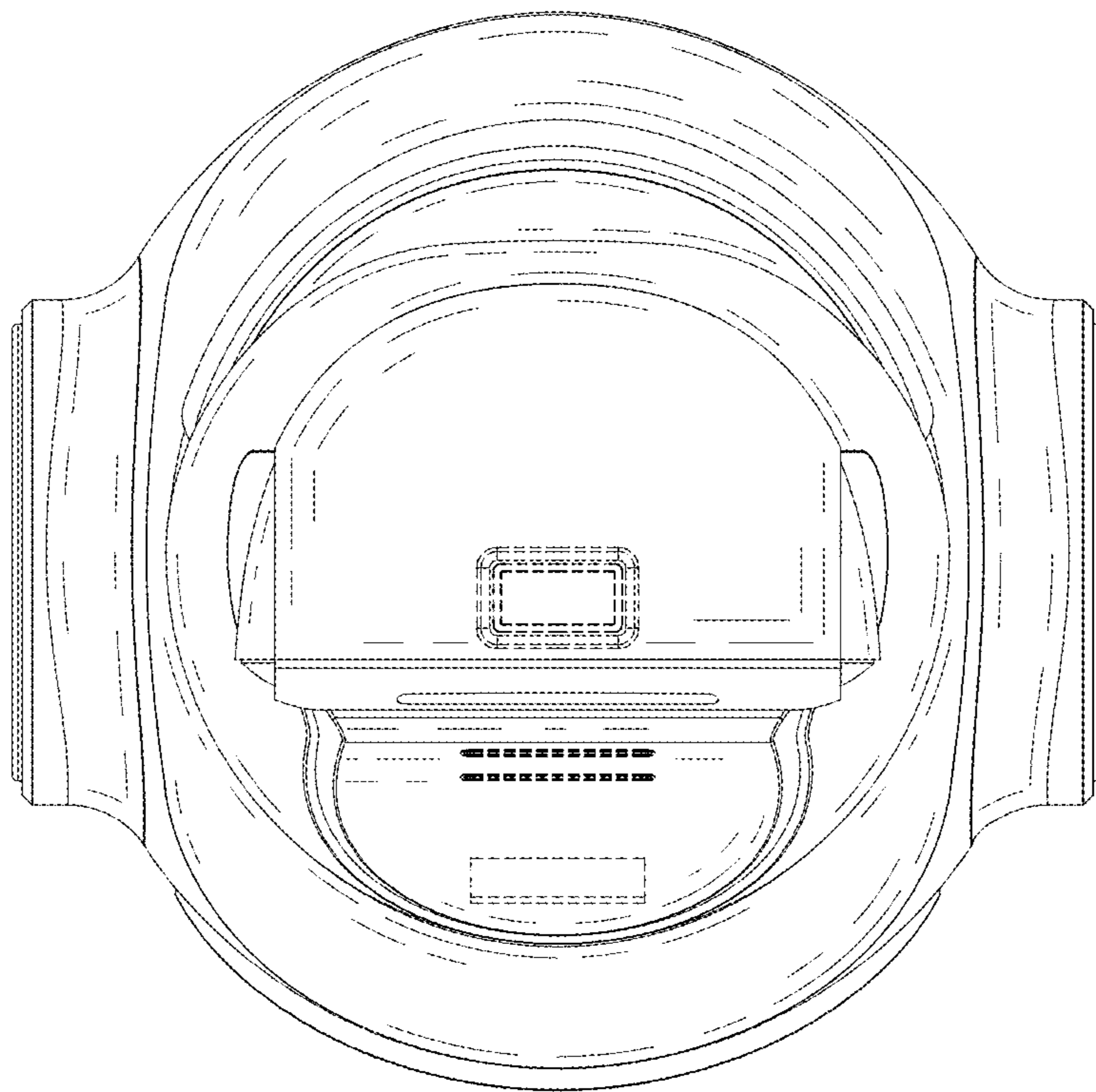


FIG.6

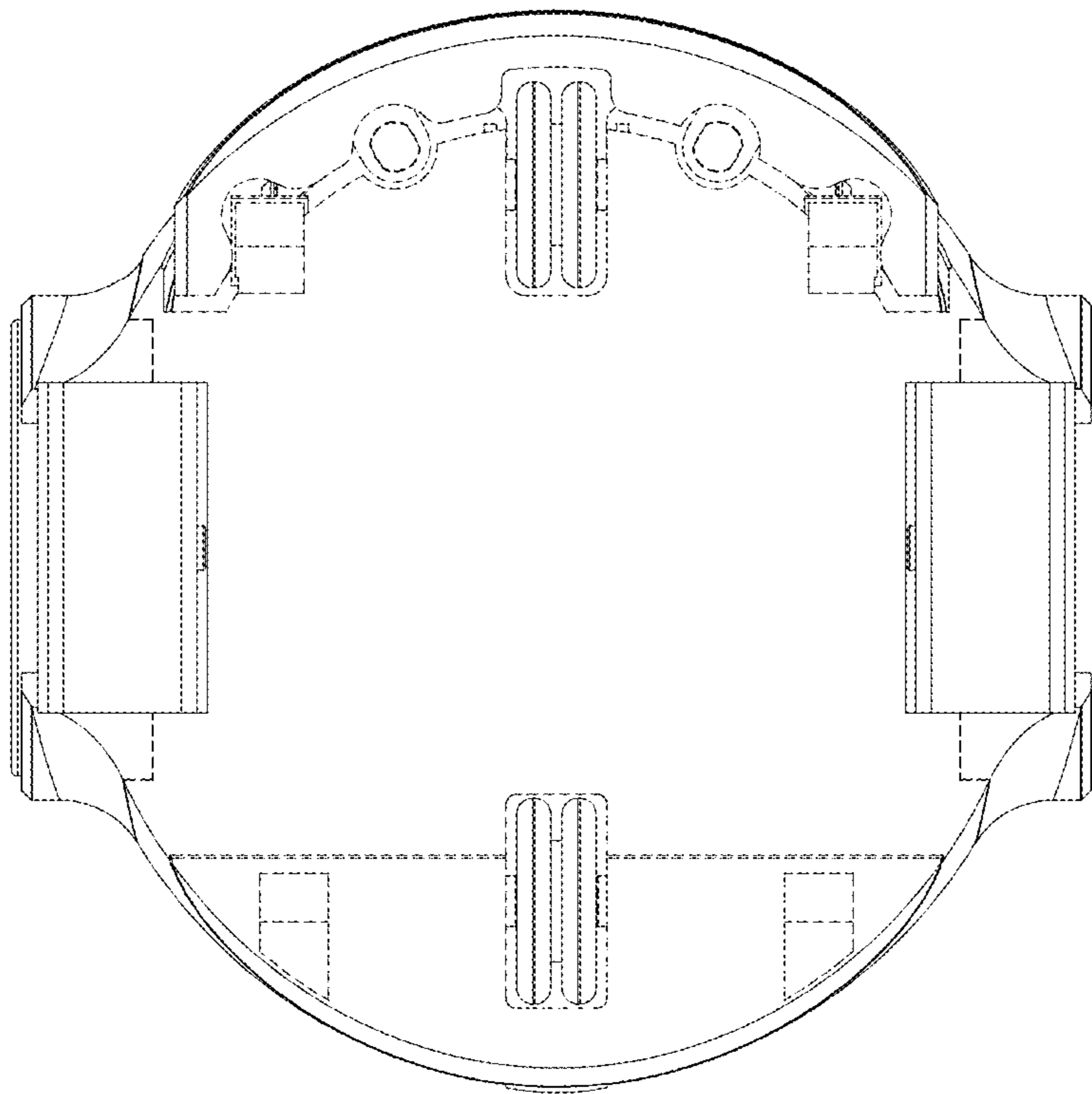


FIG.7

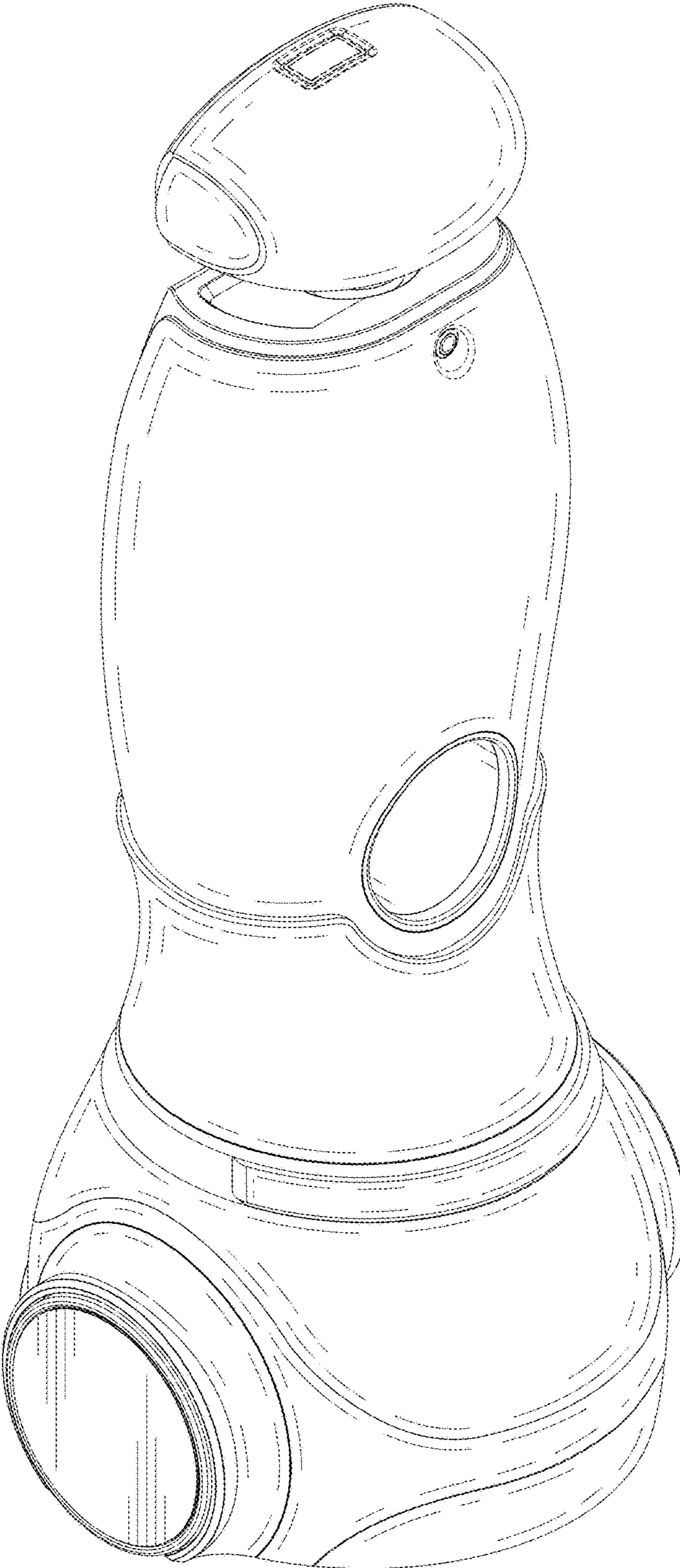


FIG.8

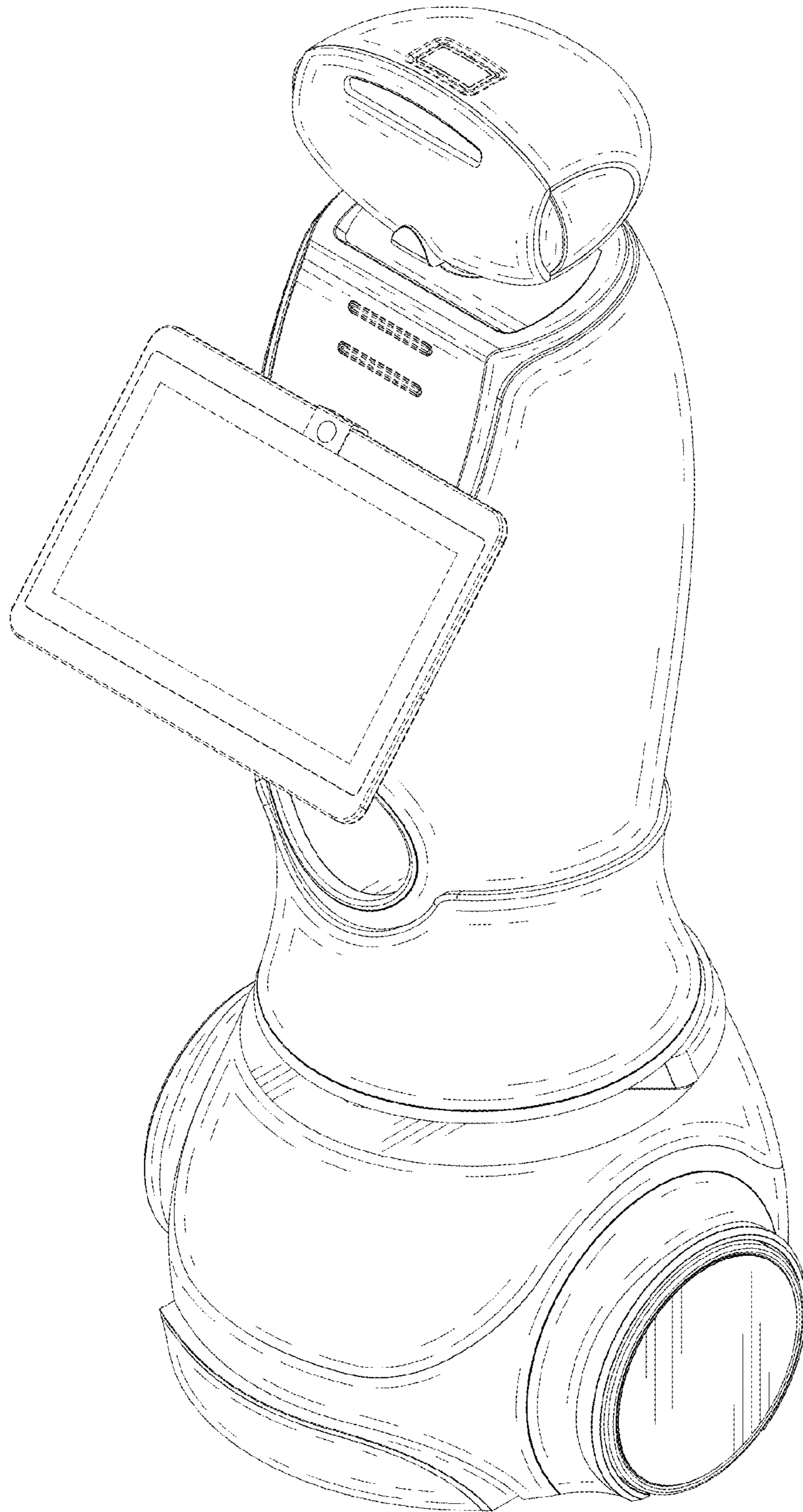


FIG.9