



US00D810166S

(12) **United States Design Patent** (10) **Patent No.:** **US D810,166 S**  
**Lee et al.** (45) **Date of Patent:** **\*\* Feb. 13, 2018**

(54) **HOUSEHOLD ROBOT**

(71) Applicant: **LG ELECTRONICS INC.**, Seoul (KR)

(72) Inventors: **Hophil Lee**, Seoul (KR); **Euiseok Lee**, Seoul (KR); **Chulbae Lee**, Seoul (KR)

(73) Assignee: **LG ELECTRONICS INC.**, Seoul (KR)

(\*\*) Term: **15 Years**

(21) Appl. No.: **29/572,928**

(22) Filed: **Aug. 1, 2016**

(30) **Foreign Application Priority Data**

Feb. 2, 2016 (KR) ..... 30-2016-0005153

(51) **LOC (11) Cl.** ..... **15-99**

(52) **U.S. Cl.**  
USPC ..... **D15/199**; D21/578

(58) **Field of Classification Search**  
USPC ..... D15/126, 138, 199; D21/345, 350, 360, D21/361, 362, 383, 384, 398, 399, 414, D21/415, 418, 428, 455, 467, 503, 504, D21/528, 529, 558, 578, 579, 594, 612, D21/621, 627, 658; D24/138, 155, 185, D24/198, 205, 208, 211, 231, 232; D29/124, 129; D34/35; D99/1, 17, 30, D99/34, 37, 38, 99  
CPC ..... G06N 3/00; G06N 3/004; G06N 3/006; G06N 3/008; G06N 5/00; A63H 3/00; G05B 19/00; B25J 9/00; G06C 7/60  
See application file for complete search history.

(56) **References Cited**

**U.S. PATENT DOCUMENTS**

D420,403 S \* 2/2000 Bart ..... D21/398  
D457,200 S \* 5/2002 Dove ..... D21/533

D465,733 S \* 11/2002 Hill ..... D9/519  
D547,430 S \* 7/2007 Low ..... D21/713  
D580,994 S \* 11/2008 Johansson ..... D21/713  
D592,257 S \* 5/2009 Tang ..... D21/578  
D596,244 S \* 7/2009 Levy ..... D21/622  
D596,306 S \* 7/2009 Levine ..... D24/214  
8,814,629 B2 \* 8/2014 Johnston ..... A63H 33/003  
273/359  
D731,180 S \* 6/2015 Neuhaus ..... D3/273  
D777,847 S \* 1/2017 Rost ..... D21/680

**OTHER PUBLICATIONS**

LG Rolling Bot at MWC 2016, posted on youtube.com, published Feb. 22, 2016, no production date given, [online], [site visited Jul. 12, 2017], Available from Internet, <URL: <https://www.youtube.com/watch?v=7GYncsx18KE>>.\*

(Continued)

*Primary Examiner* — Melanie H Tung  
*Assistant Examiner* — Fitzgerald L Butac  
(74) *Attorney, Agent, or Firm* — Birch, Stewart, Kolasch & Birch, LLP

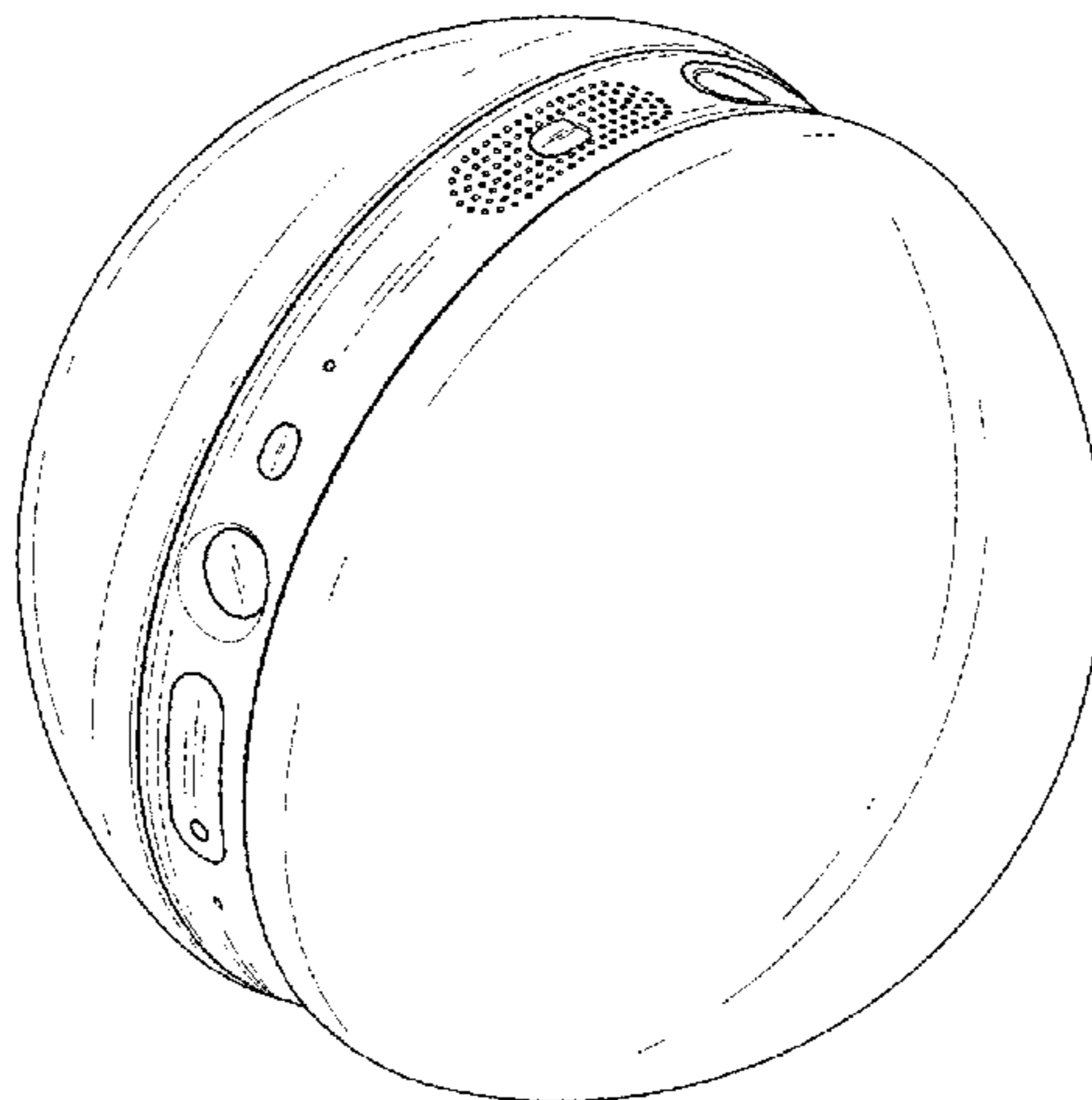
(57) **CLAIM**

The ornamental design for a household robot, as shown and described.

**DESCRIPTION**

FIG. 1 is a front, right side, perspective view of a household robot showing our new design;  
FIG. 2 is a front view thereof;  
FIG. 3 is a rear view thereof;  
FIG. 4 is a left side view thereof;  
FIG. 5 is a right side view thereof;  
FIG. 6 is a top view thereof; and,  
FIG. 7 is a bottom view.  
The broken lines showing portions of a household robot form no part of the claimed design.

**1 Claim, 7 Drawing Sheets**



(56)

**References Cited**

OTHER PUBLICATIONS

WowWee Spyball rolls out spherical snooping, posted on electricpig.co.uk, posted Jan. 7, 2009, no production date given, [online], [site visited Jul. 12, 2017], Available from Internet, <URL: <http://www.electricpig.co.uk/2009/01/07/wowwee-spyball-rolls-out-spherical-snooping/index.html>>.\*

Spherical cells free up modular CellRobot design, posted on newatlas.com, posted Aug. 17, 2016, no production date given, [online], [site visited Jul. 12, 2017], Available from Internet, <URL: <http://newatlas.com/cellrobot/44931/>>.\*

Rotundus the Spherical Robot Makes PopSci “Best of 2008”, posted on hizook.com, posted Nov. 11, 2008, no production date given, [online], [site visited Jul. 12, 2017], Available from Internet, <URL: <http://www.hizook.com/blog/2008/11/11/rotundus-spherical-robot-makes-popsi-best-2008>>.\*

\* cited by examiner

FIG. 1

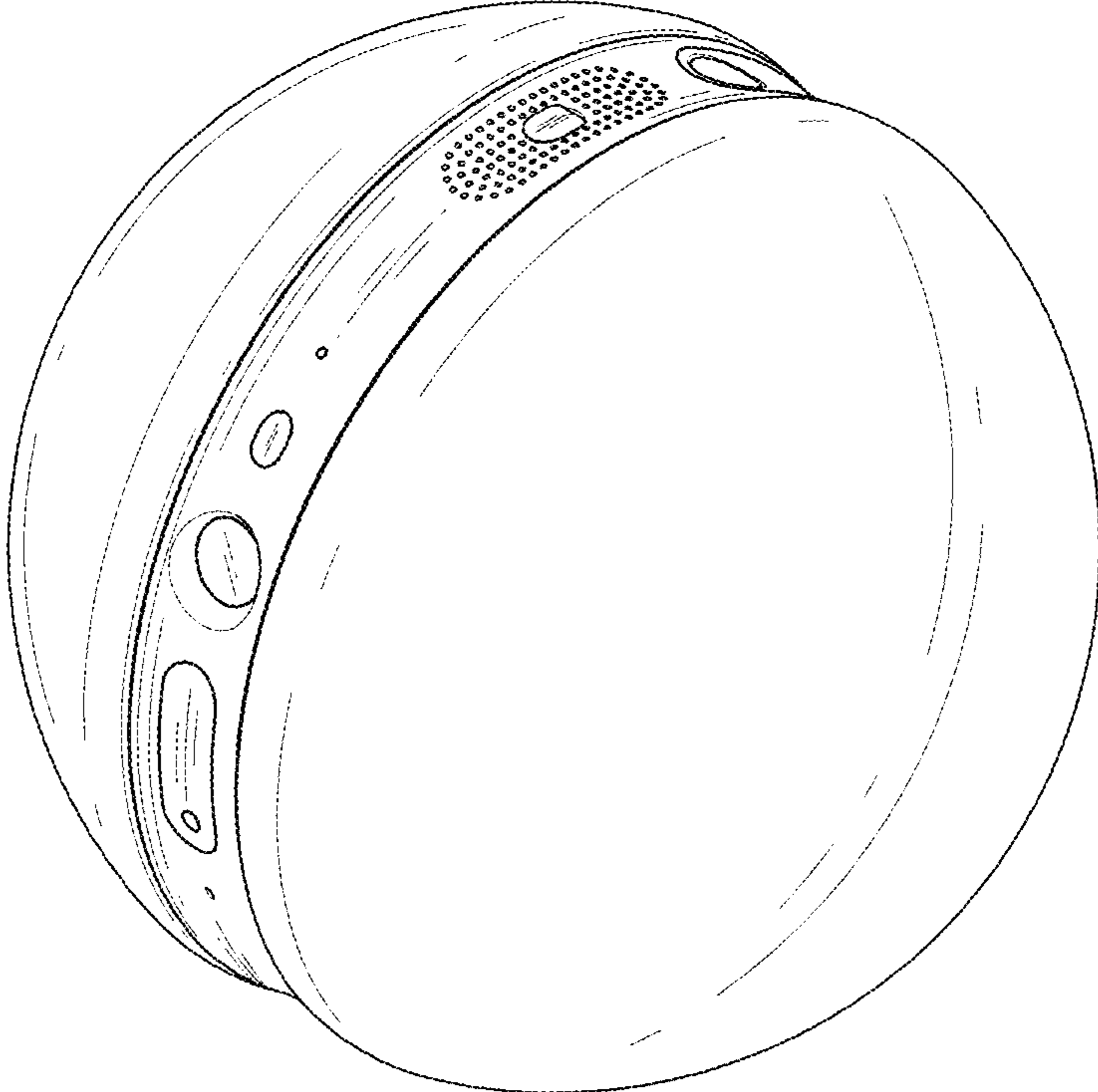


FIG. 2

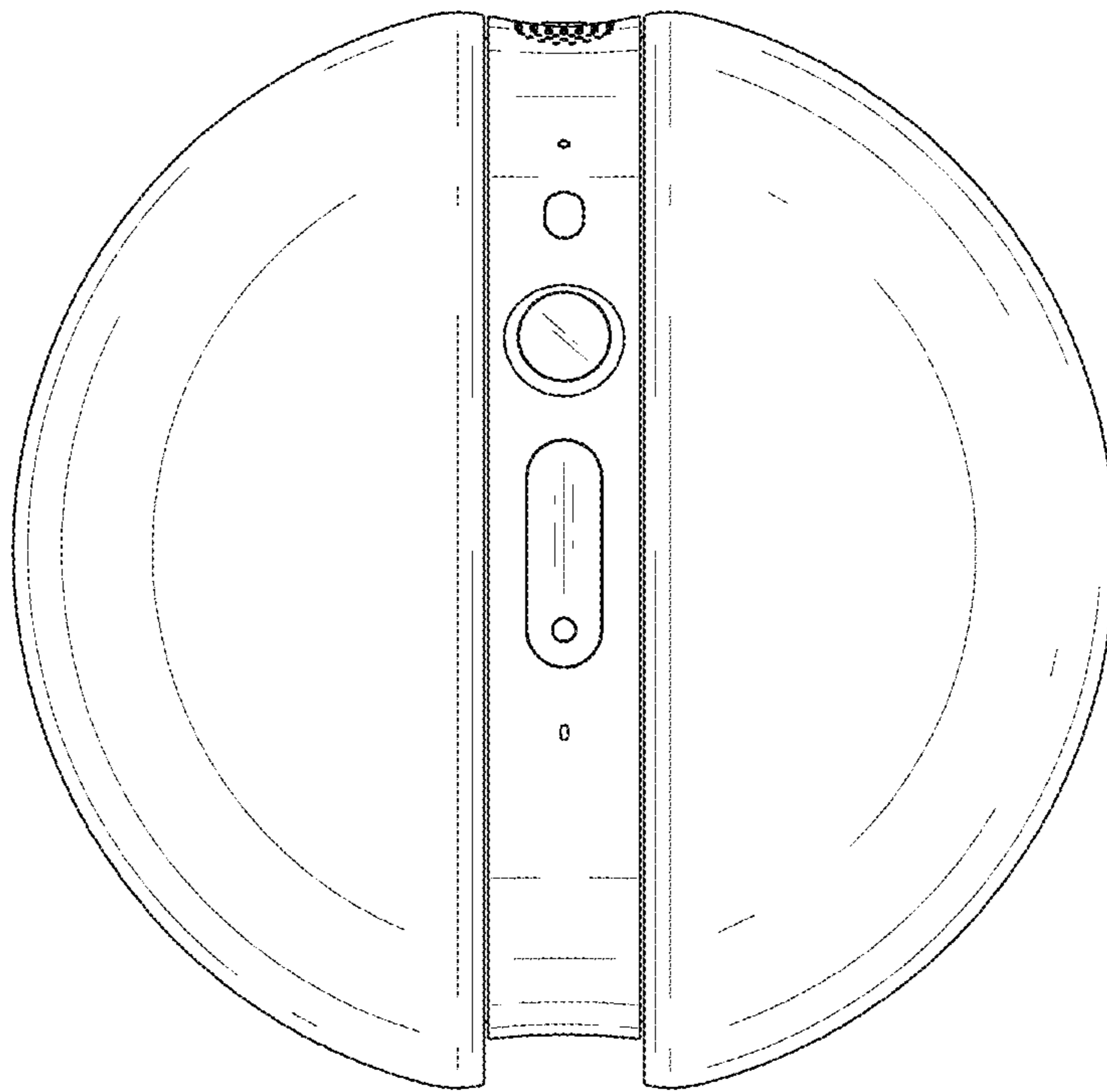


FIG. 3

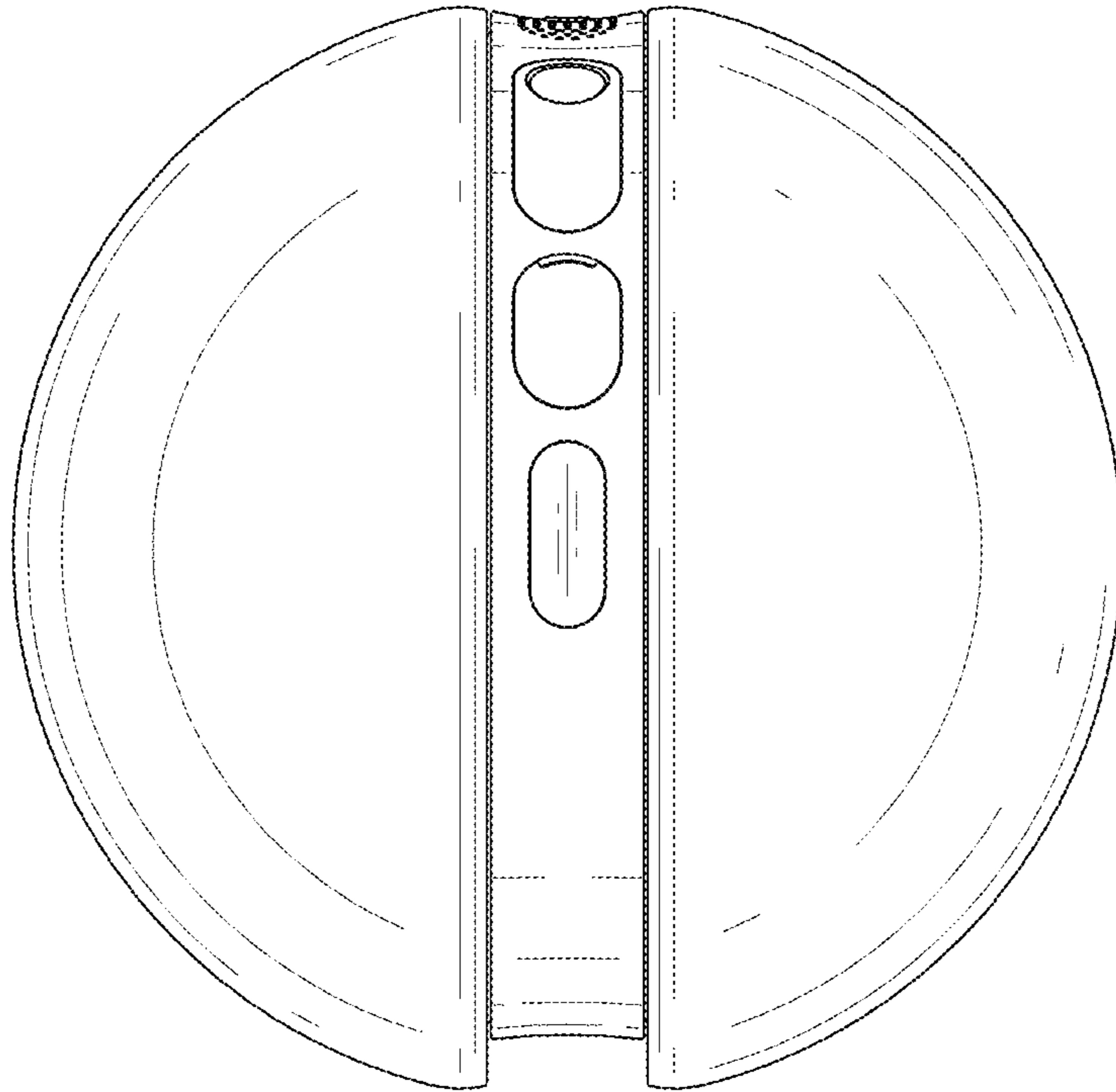


FIG. 4

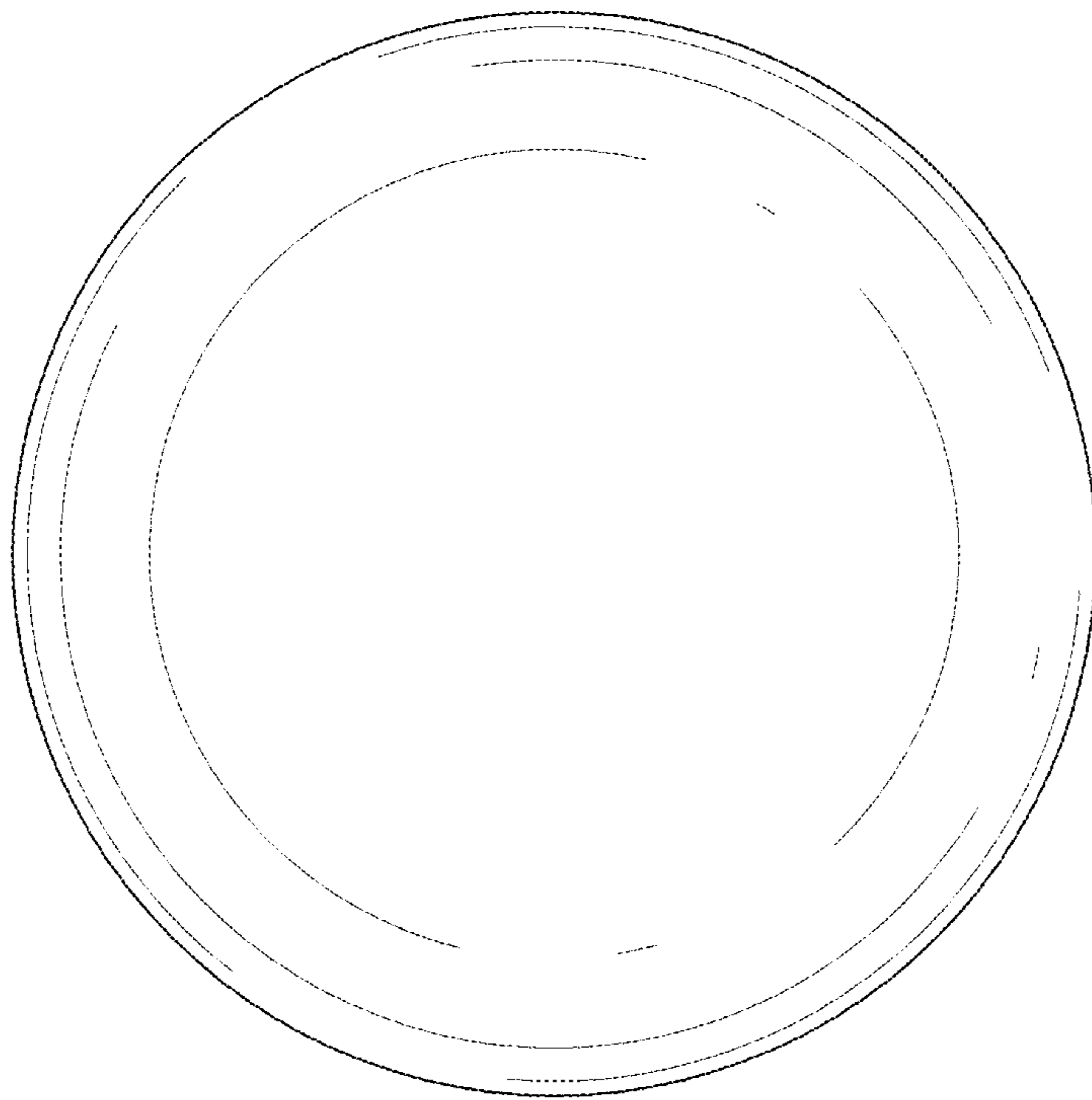


FIG. 5

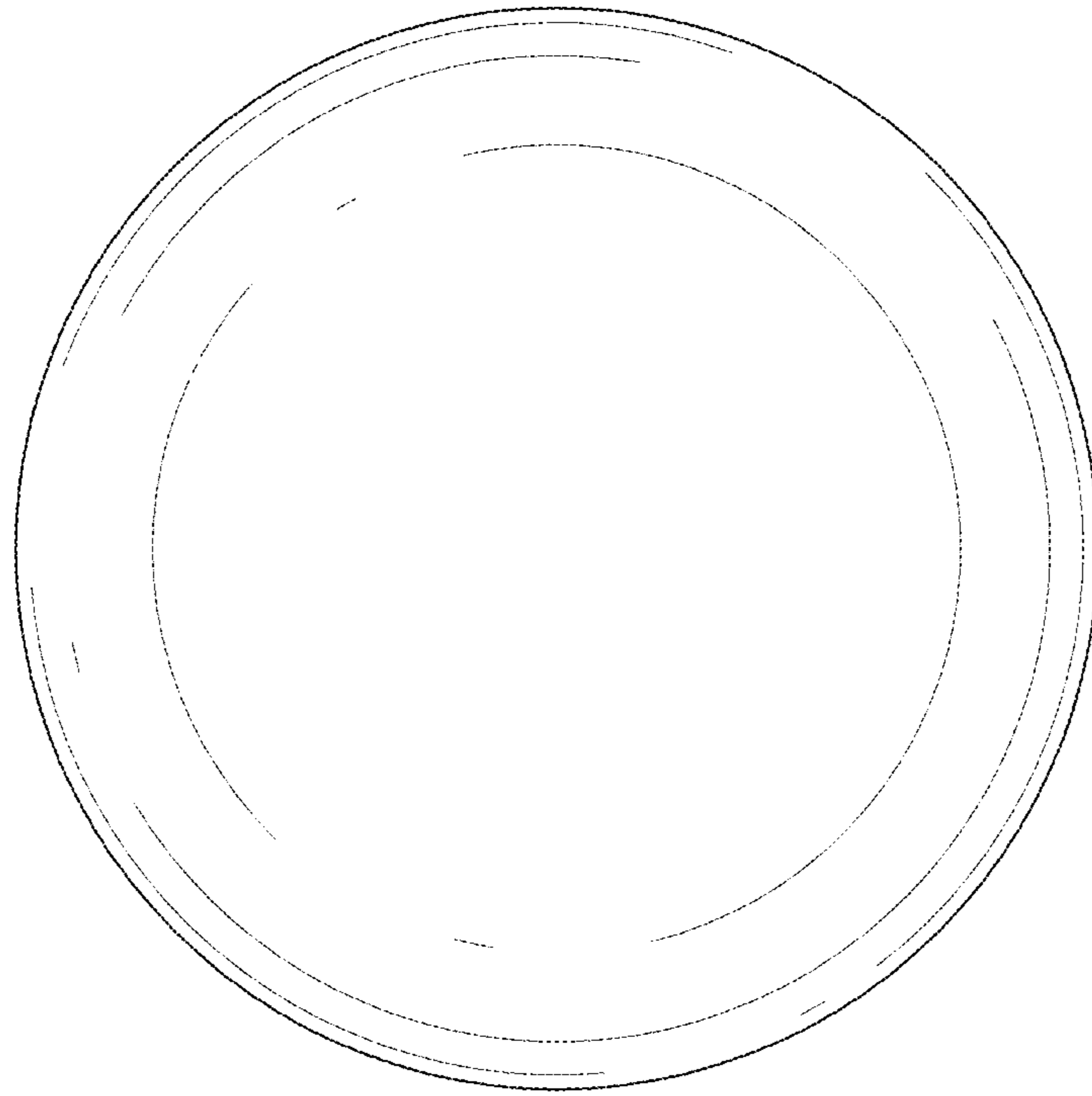




FIG. 6

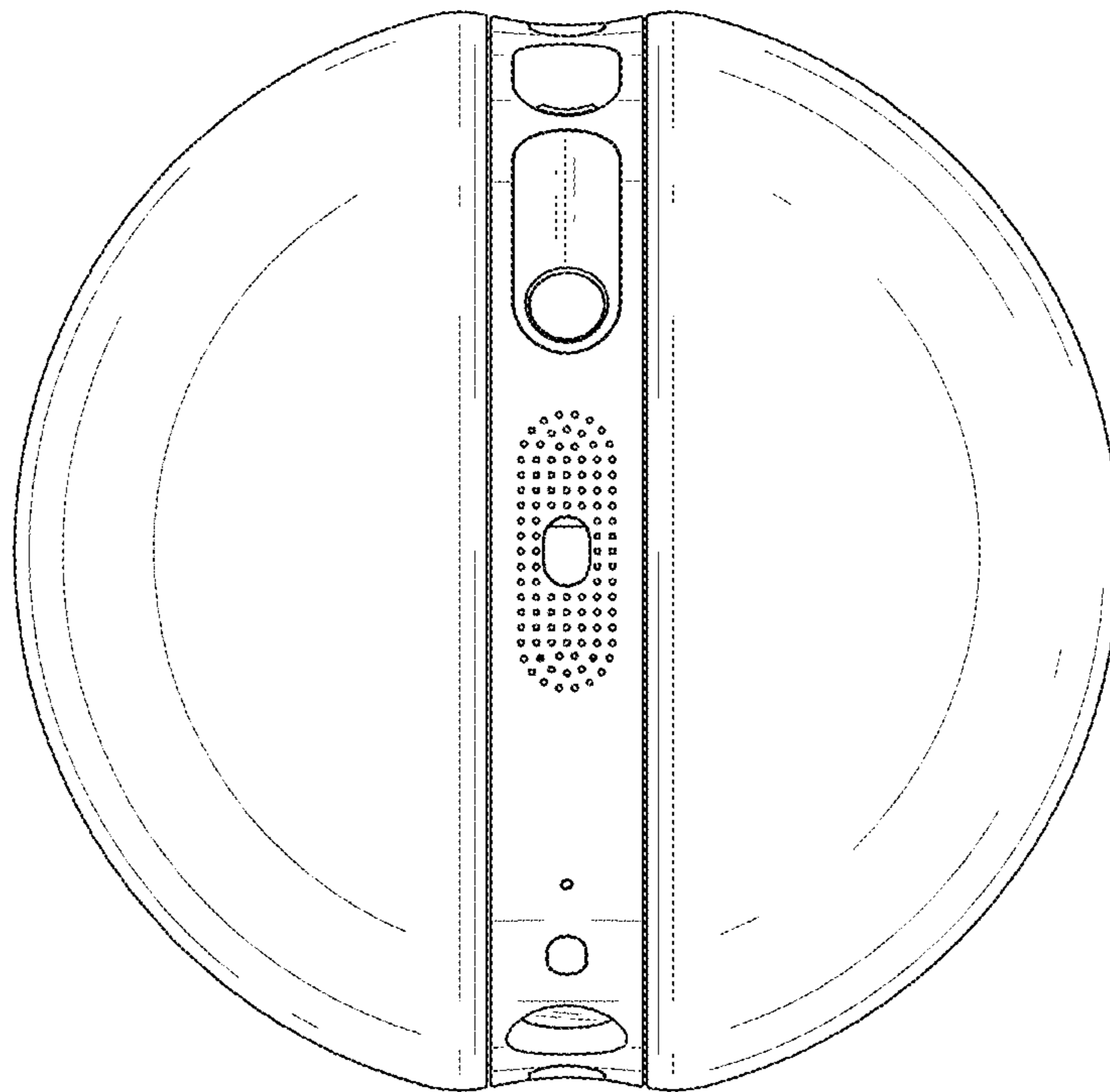




FIG. 7

