



US00D810165S

(12) **United States Design Patent** (10) **Patent No.:** **US D810,165 S**
Webb et al. (45) **Date of Patent:** **** Feb. 13, 2018**

(54) **MULTIMEDIA TERMINAL**
(71) Applicant: **Samsung Electronics Co., Ltd.**,
Gyeonggi-do (KR)
(72) Inventors: **Bill Webb**, San Francisco, CA (US);
Chris Harsacky, San Francisco, CA
(US); **Shweta Grampurohit**, San Jose,
CA (US); **Mohammad Tanabian**, San
Jose, CA (US); **Robert Christensen**,
Belmont, CA (US); **Dion Isselhardt**,
Saratoga, CA (US); **Chunkwok Lee**,
Santa Clara, CA (US)

D500,067 S * 12/2004 Liu D16/202
D533,152 S * 12/2006 Nakata D14/126
D545,860 S * 7/2007 Miyazaki D16/202
D562,870 S * 2/2008 Komatsu D16/203
D565,070 S * 3/2008 Kim D16/202
D590,863 S * 4/2009 Ke D16/202
D594,870 S * 6/2009 Leung D14/480.2
D628,223 S * 11/2010 Kao D16/202
D644,256 S * 8/2011 Kitano D15/199
D648,766 S * 11/2011 Chen D16/202
D685,438 S * 7/2013 Fan D15/199
D710,953 S * 8/2014 Katsutani D15/199

(Continued)

(73) Assignee: **Samsung Electronics Co., Ltd.**,
Suwon-si (KR)

(**) Term: **15 Years**

(21) Appl. No.: **29/555,117**

(22) Filed: **Feb. 18, 2016**

(51) **LOC (11) Cl.** **15-99**

(52) **U.S. Cl.**
USPC **D15/199**

(58) **Field of Classification Search**
USPC D13/180; D14/124, 125, 126, 129, 133,
D14/314, 317, 336, 348–351, 356, 420;
D15/199; D16/200, 201, 202, 203,
D16/205–221, 225, 232, 235; D21/576,
D21/577, 578; D26/2, 40
CPC G03B 15/03; G03B 19/04; H04N
5/2251–5/2254

See application file for complete search history.

(56) **References Cited**

U.S. PATENT DOCUMENTS

D150,006 S * 6/1948 Fung D21/577
D340,253 S * 10/1993 Fedorczak 348/143
D410,479 S * 6/1999 Sawai D16/202
D454,902 S * 3/2002 Hsu D16/202
D475,381 S * 6/2003 Komatsu D16/202

OTHER PUBLICATIONS

Samsung Unveils “Otto” IoT Assistant Robot at SDC 2016, posted at Androidheadlines.com, posting date Apr. 28, 2016, [online], [site visited Jun. 12, 2017]. Available from Internet, <URL: <https://www.androidheadlines.com/2016/04/samsung-unveils-otto-iot-assistant-robot-sdc-2016.html>>.*

Primary Examiner — Susan E Krakower

Assistant Examiner — L. A. Grabenstetter

(74) *Attorney, Agent, or Firm* — Lewis Roca Rothgerber Christie LLP

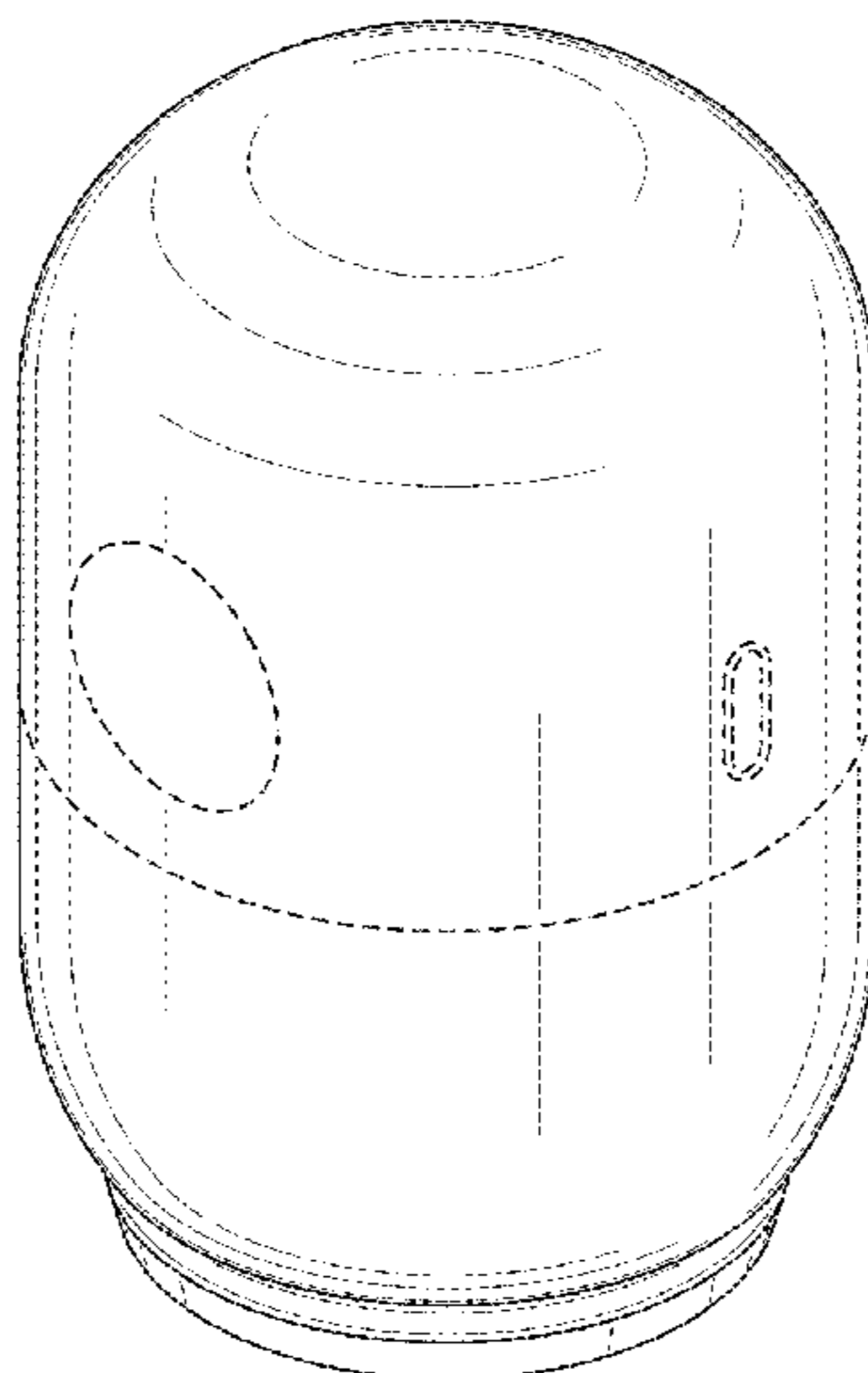
(57) **CLAIM**

The ornamental design for a multimedia terminal device, as shown and described.

DESCRIPTION

FIG. 1 is a perspective view of a multimedia terminal;
FIG. 2 is a front view thereof;
FIG. 3 is a rear view thereof;
FIG. 4 is a bottom view thereof;
FIG. 5 is a top view thereof;
FIG. 6 is a left side view thereof; and,
FIG. 7 is a right side view thereof.
The broken lines shown in the drawings illustrate portions of the multimedia terminal that form no part of the claimed design.

1 Claim, 3 Drawing Sheets



(56)

References Cited

U.S. PATENT DOCUMENTS

D719,202 S *	12/2014	Lee	D16/202
D725,166 S *	3/2015	Paik	D15/199
D731,180 S *	6/2015	Neuhaus	D3/273
D739,397 S *	9/2015	Akana	D14/314
D746,886 S *	1/2016	Breazeal	D15/199
D754,653 S *	4/2016	Marciniak	D14/314
D766,644 S *	9/2016	Huang	D15/199
2005/0057656 A1 *	3/2005	Chardon	H04N 5/2252
			348/207.99
2007/0017915 A1 *	1/2007	Weder	B65D 21/086
			220/4.21

* cited by examiner

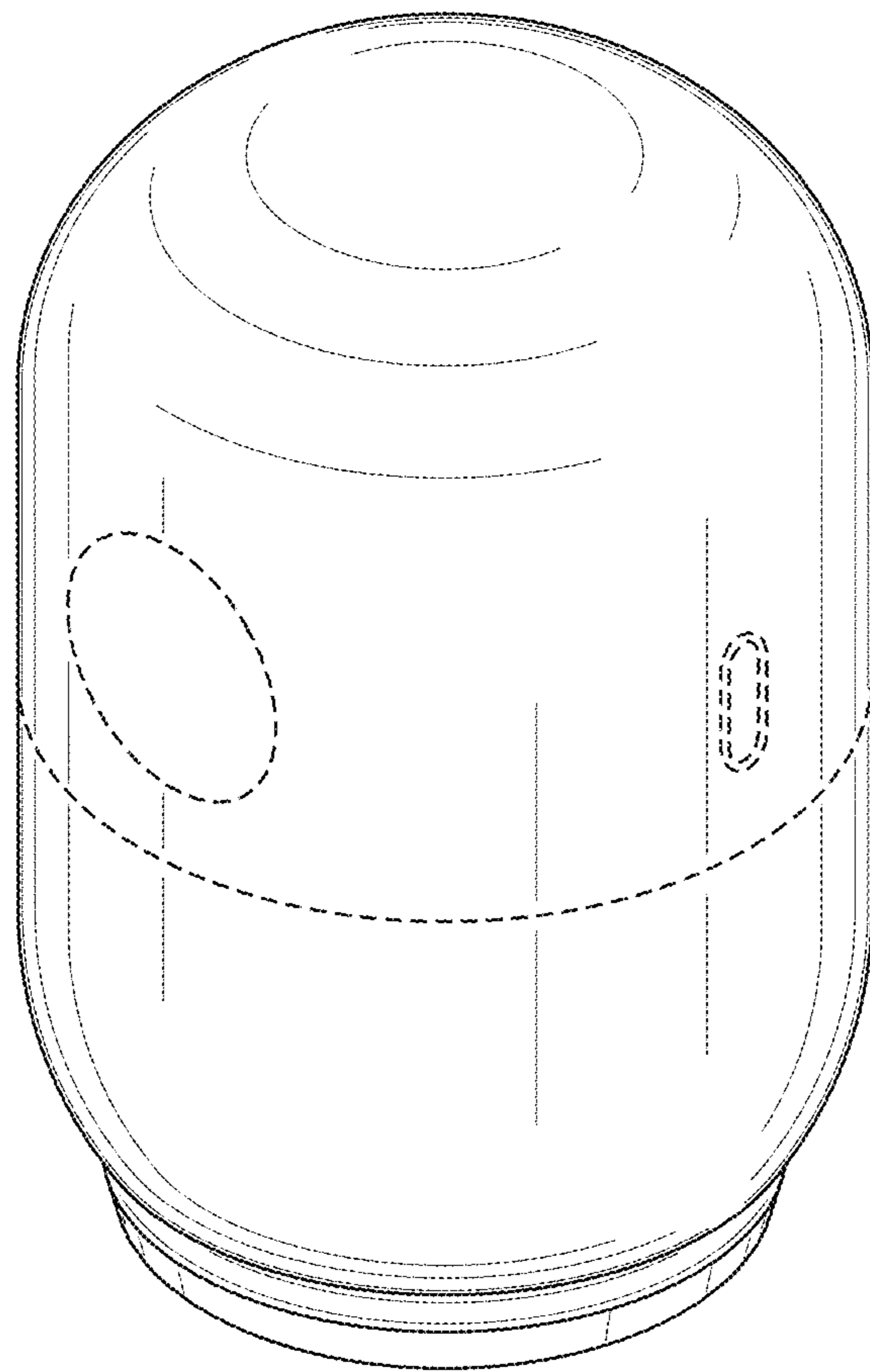


FIG. 1

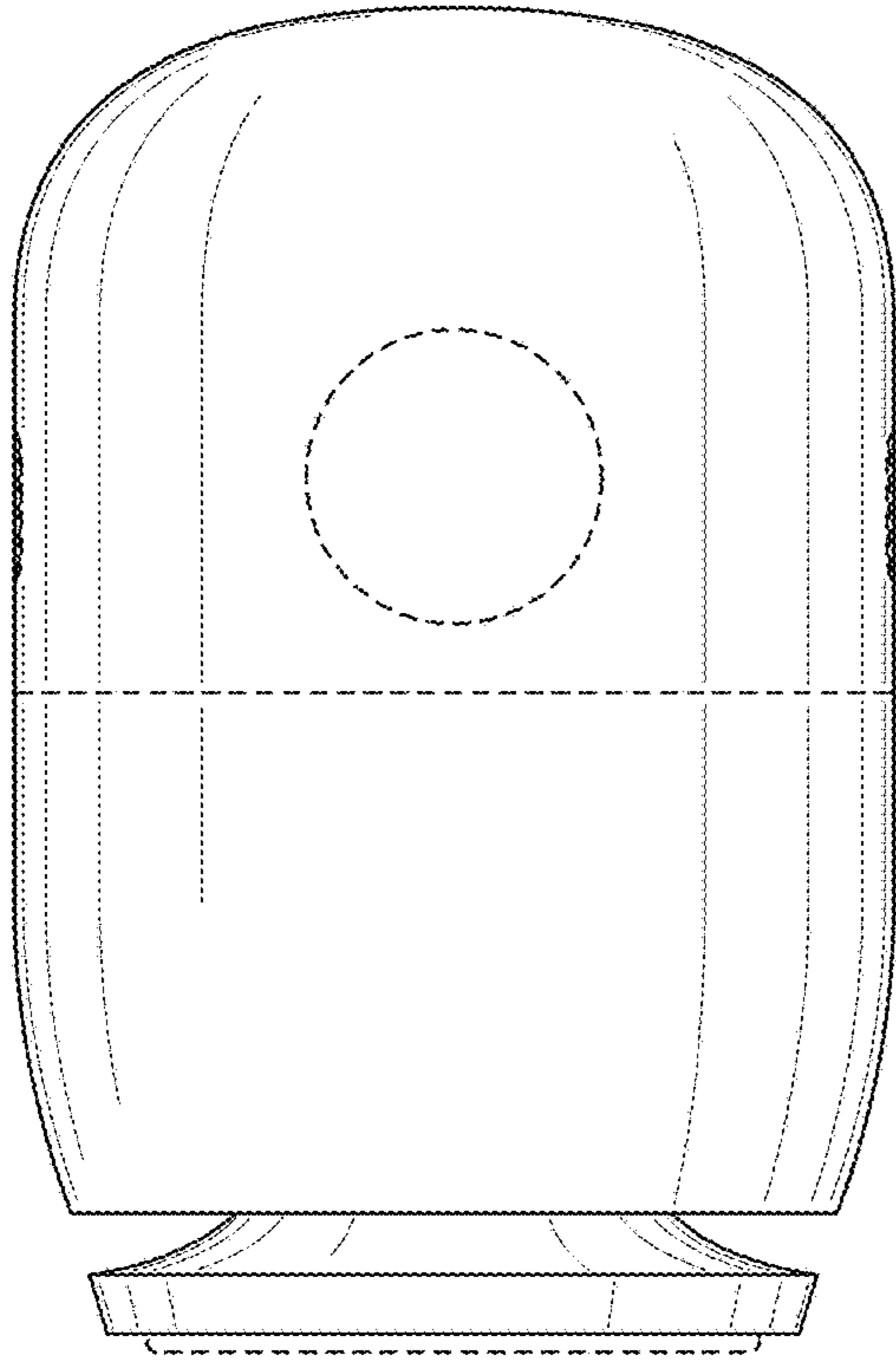


FIG. 2

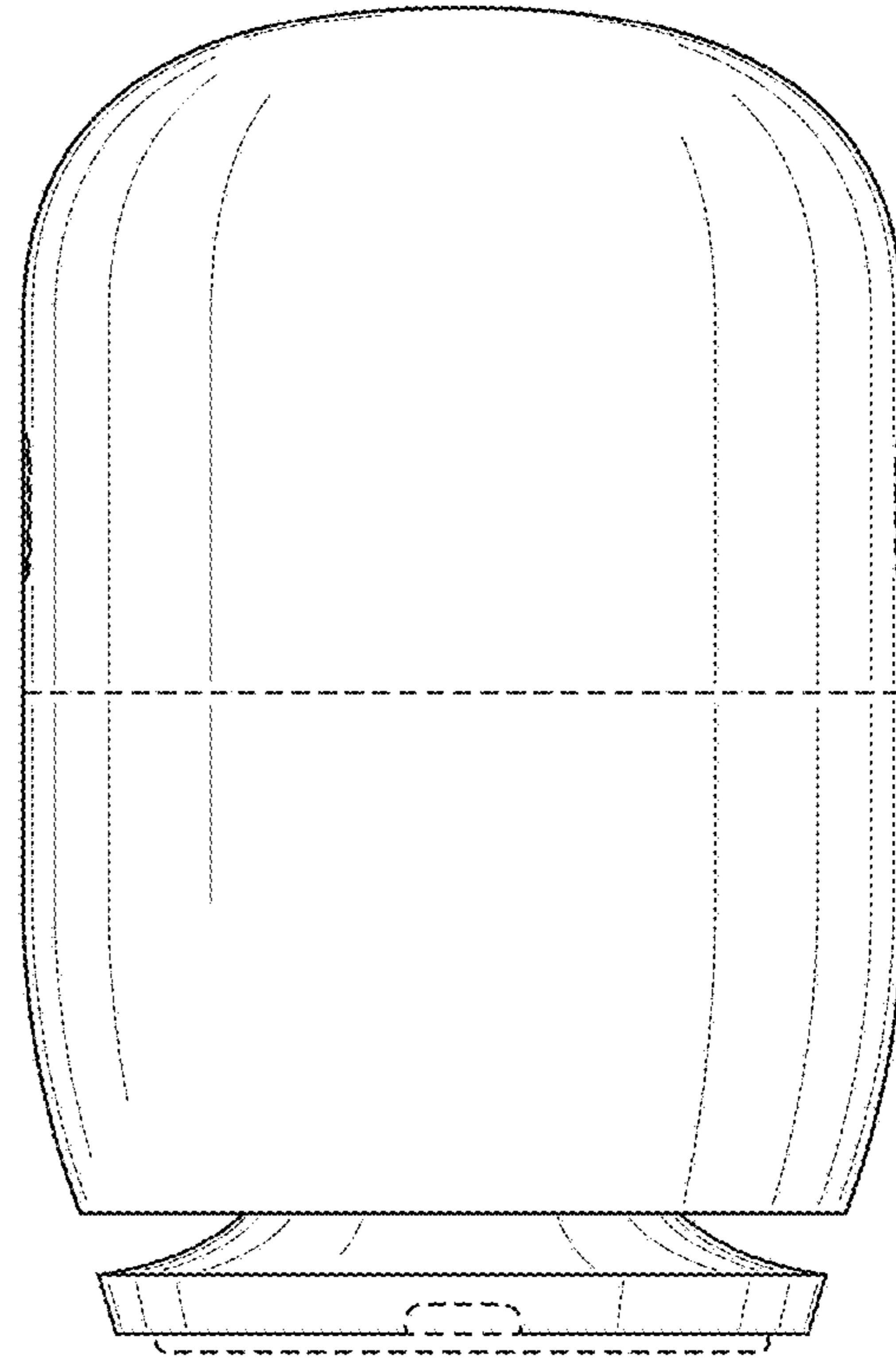


FIG. 3

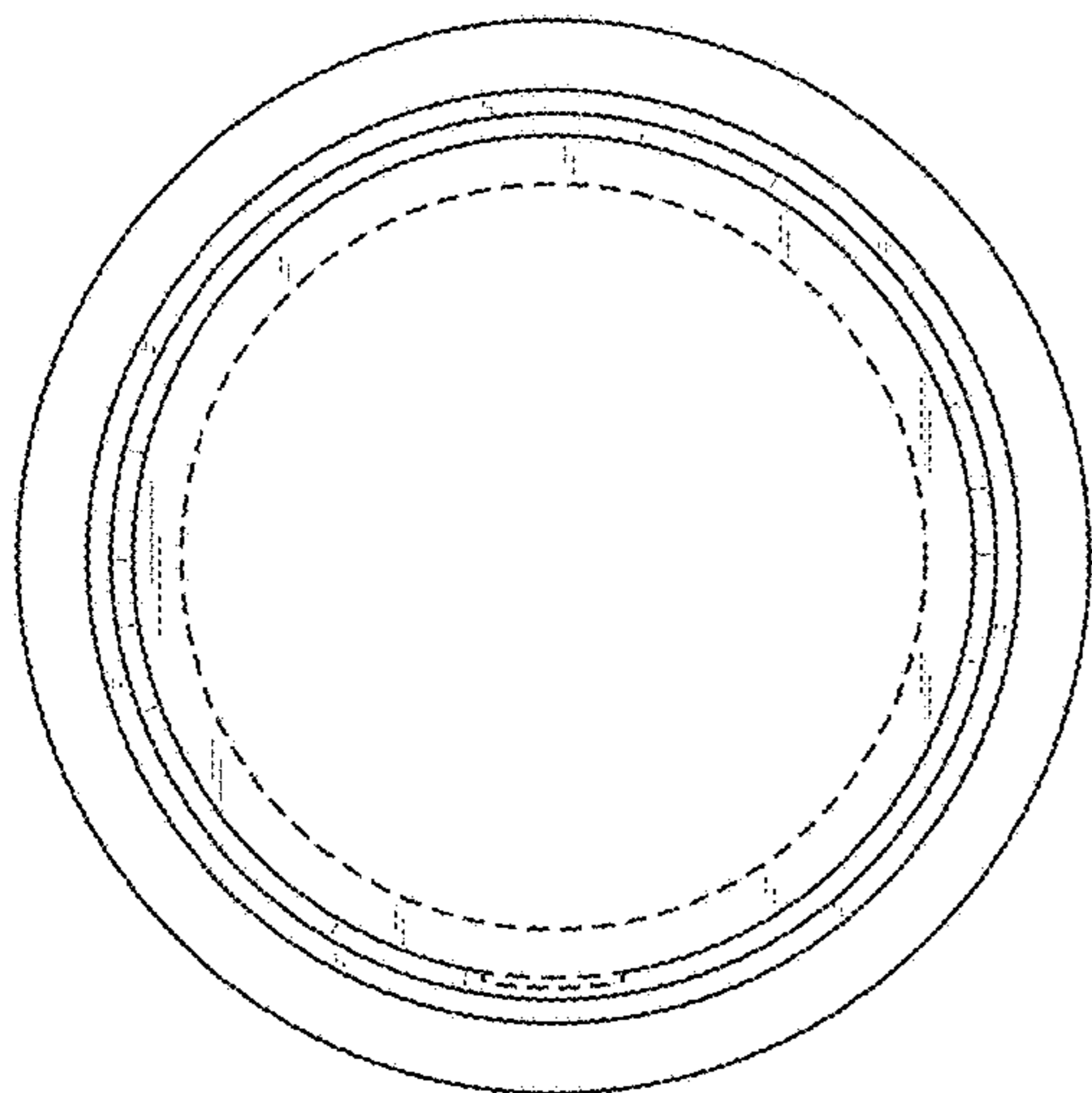


FIG. 4

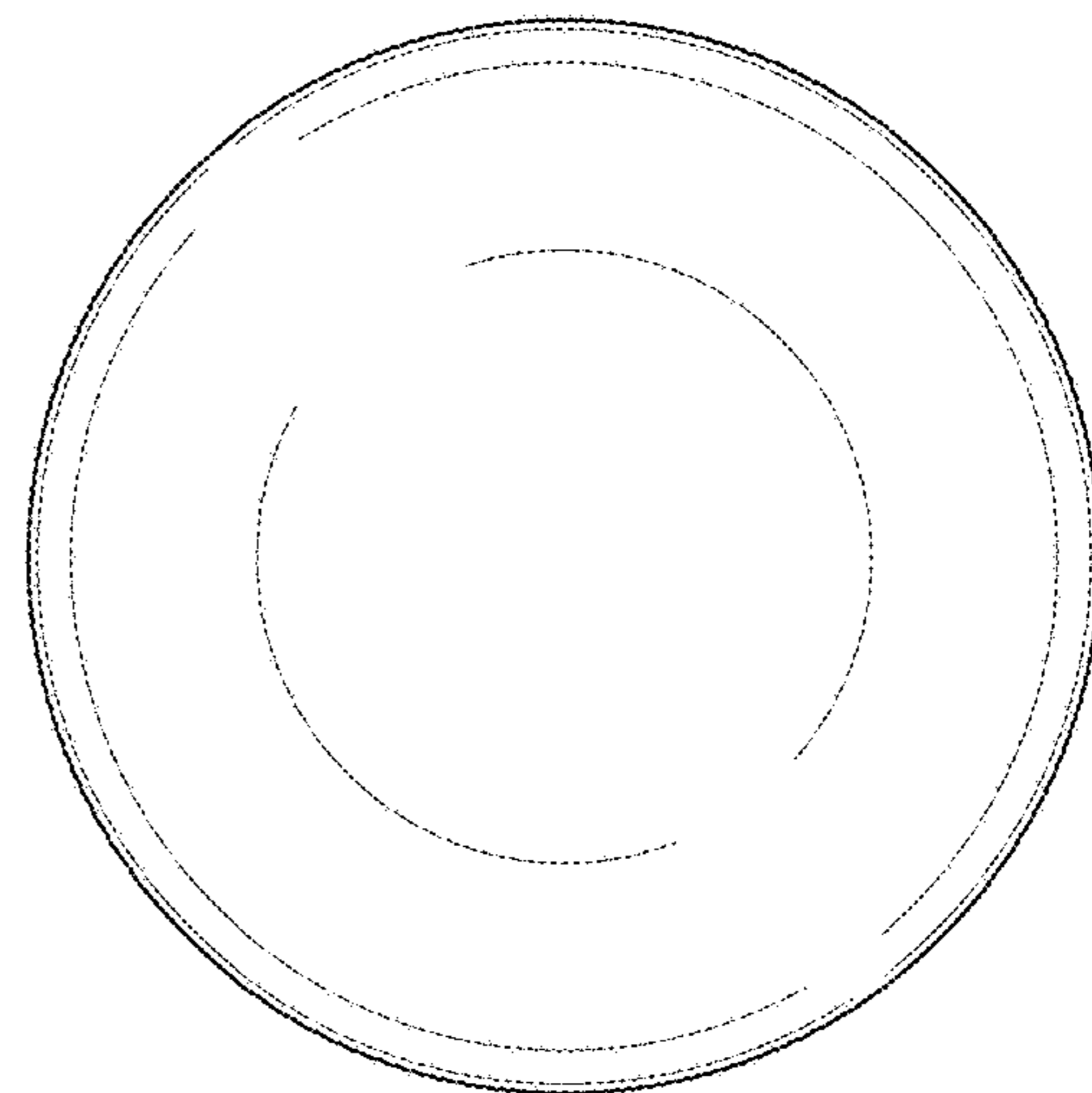


FIG. 5

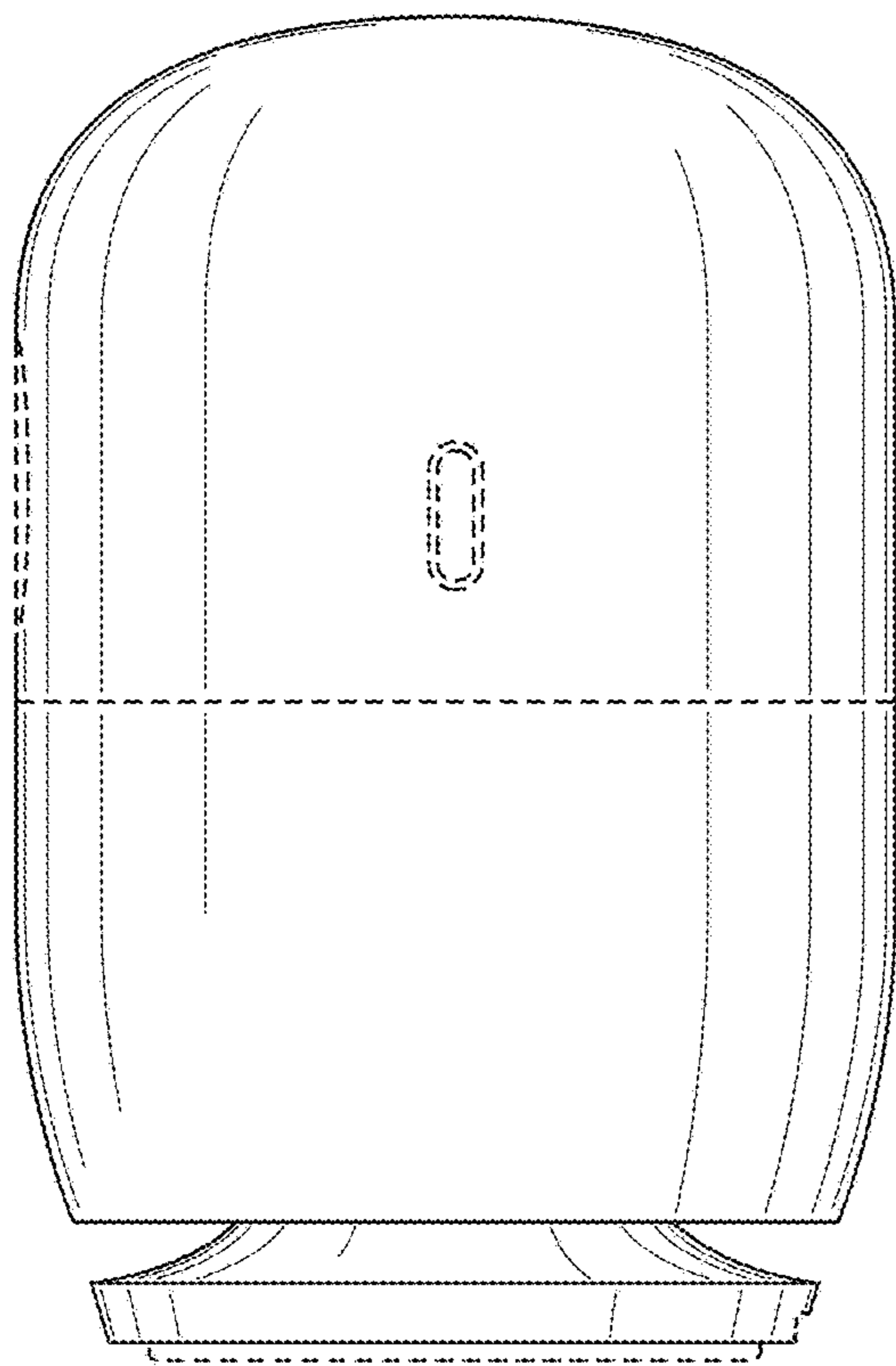


FIG. 6

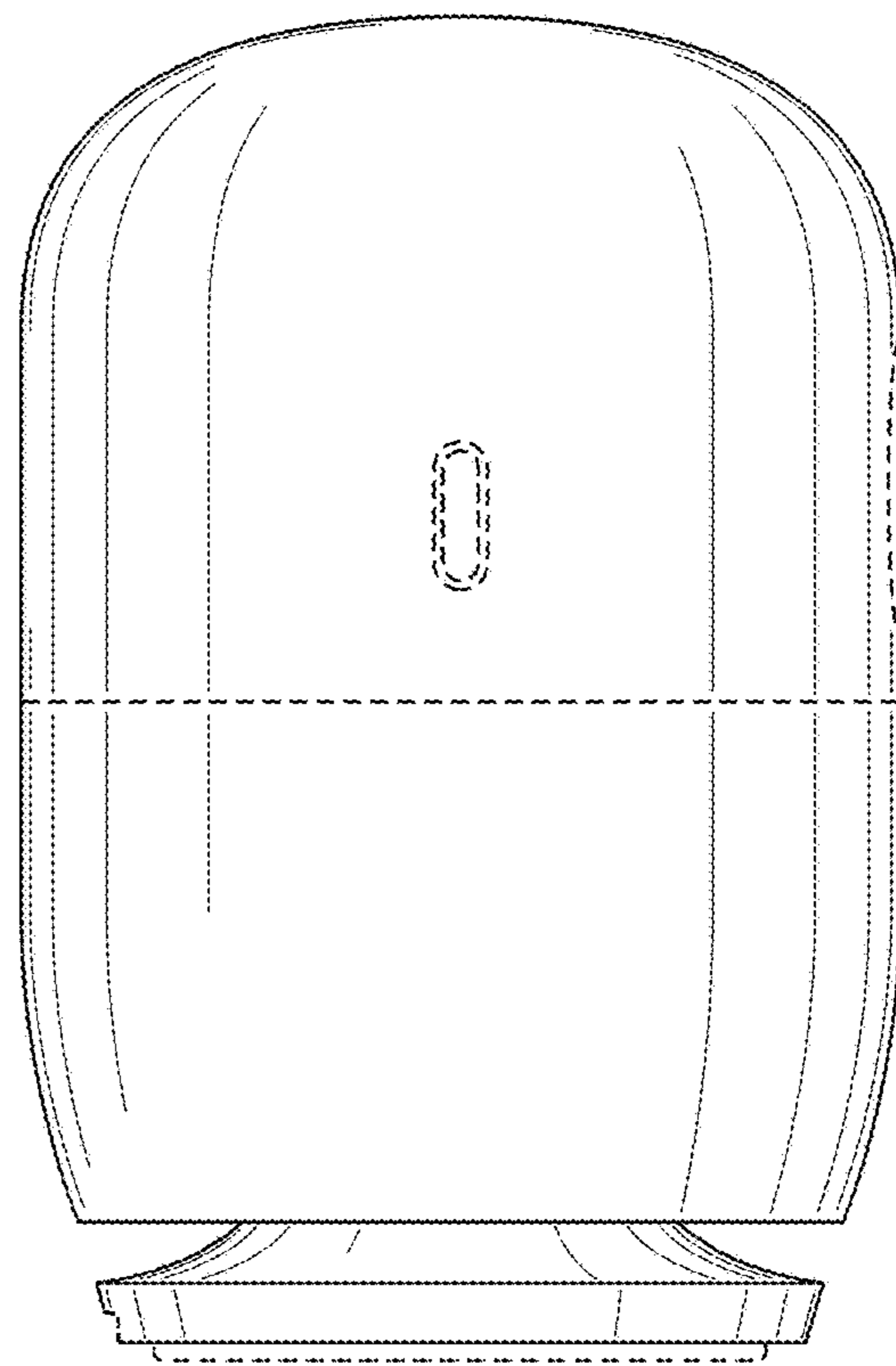


FIG. 7