



US00D810163S

(12) **United States Design Patent** (10) **Patent No.:** **US D810,163 S**
Longo (45) **Date of Patent:** **** Feb. 13, 2018**

(54) **PACKAGING MACHINE**

(71) Applicant: **Bobst Mex SA**, Mex (CH)

(72) Inventor: **Antonio Longo**, Prilly (CH)

(73) Assignee: **Bobst Mex SA**, Mex (CH)

(**) Term: **15 Years**

(21) Appl. No.: **29/546,998**

(22) Filed: **Nov. 30, 2015**

(30) **Foreign Application Priority Data**

Jun. 1, 2015 (EM) 001435374-0001

(51) **LOC (11) Cl.** **15-09**

(52) **U.S. Cl.**
USPC **D15/145**

(58) **Field of Classification Search**
USPC D15/122, 145, 146
CPC B65B 5/06; B65B 5/067; B65B 5/106;
B65B 7/08; B65B 9/04; B65B 31/046;
B65B 47/04; B65B 51/02; B65B 51/10;
B65B 51/065
See application file for complete search history.

(56) **References Cited**

U.S. PATENT DOCUMENTS

D241,160 S * 8/1976 Gurian et al. D15/122
D301,890 S * 6/1989 Silbersky D15/145
D372,487 S * 8/1996 Brewer D15/145

D489,077 S * 4/2004 Bloch D15/122
D567,271 S * 4/2008 Vine D15/145
D614,211 S * 4/2010 De Vries D15/122
D659,728 S * 5/2012 Mueller D15/122
D664,570 S * 7/2012 Mueller D15/122
D686,261 S * 7/2013 Sunter D15/145
D730,959 S * 6/2015 Kirkland D15/122
D731,563 S * 6/2015 Kirkland D15/122
D735,253 S * 7/2015 Bausback D15/122
D736,840 S * 8/2015 Kirkland D15/122
D759,738 S * 6/2016 Schonherr D15/122
2016/0325868 A1* 11/2016 Bonneville B65B 61/06

* cited by examiner

Primary Examiner — Patricia A Palasik

(74) *Attorney, Agent, or Firm* — Sterne, Kessler, Goldstein & Fox P.L.L.C.

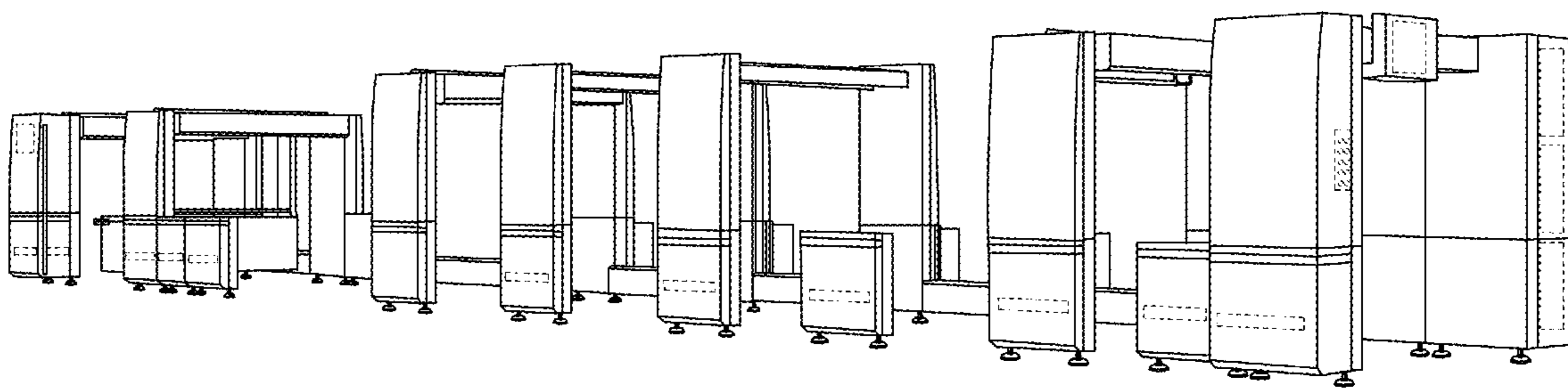
(57) **CLAIM**

The ornamental design for a packaging machine, as shown and described.

DESCRIPTION

FIG. 1 is a front right perspective view of a packaging machine showing my new design;
FIG. 2 is a right perspective view thereof;
FIG. 3 is a rear left perspective view thereof;
FIG. 4 is a front left perspective view thereof;
FIG. 5 is a left perspective view thereof;
FIG. 6 is a front view thereof; and,
FIG. 7 is a top view thereof.
The broken lines in the drawings depict unclaimed environmental subject matter.

1 Claim, 7 Drawing Sheets



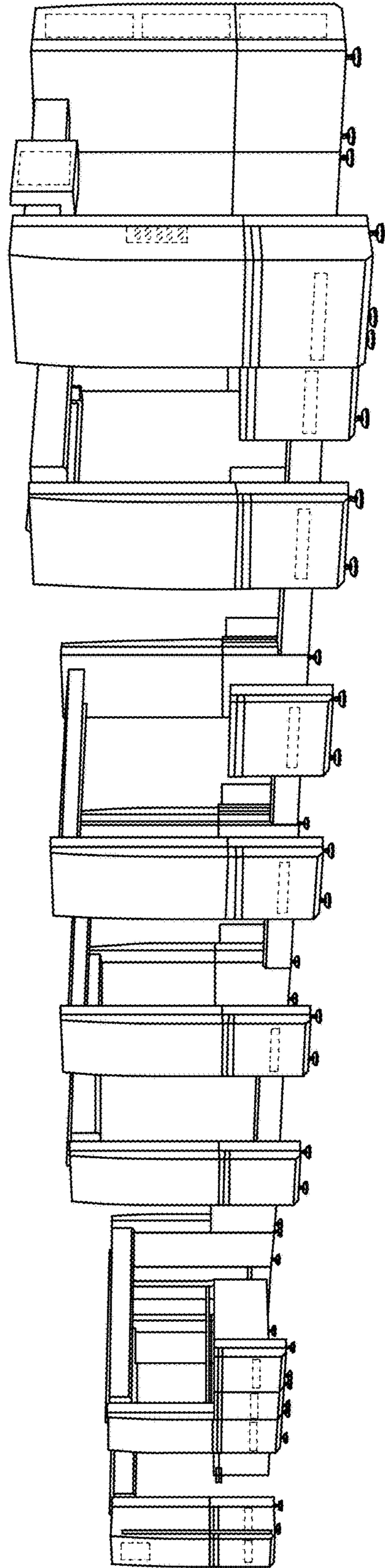


FIG. 1

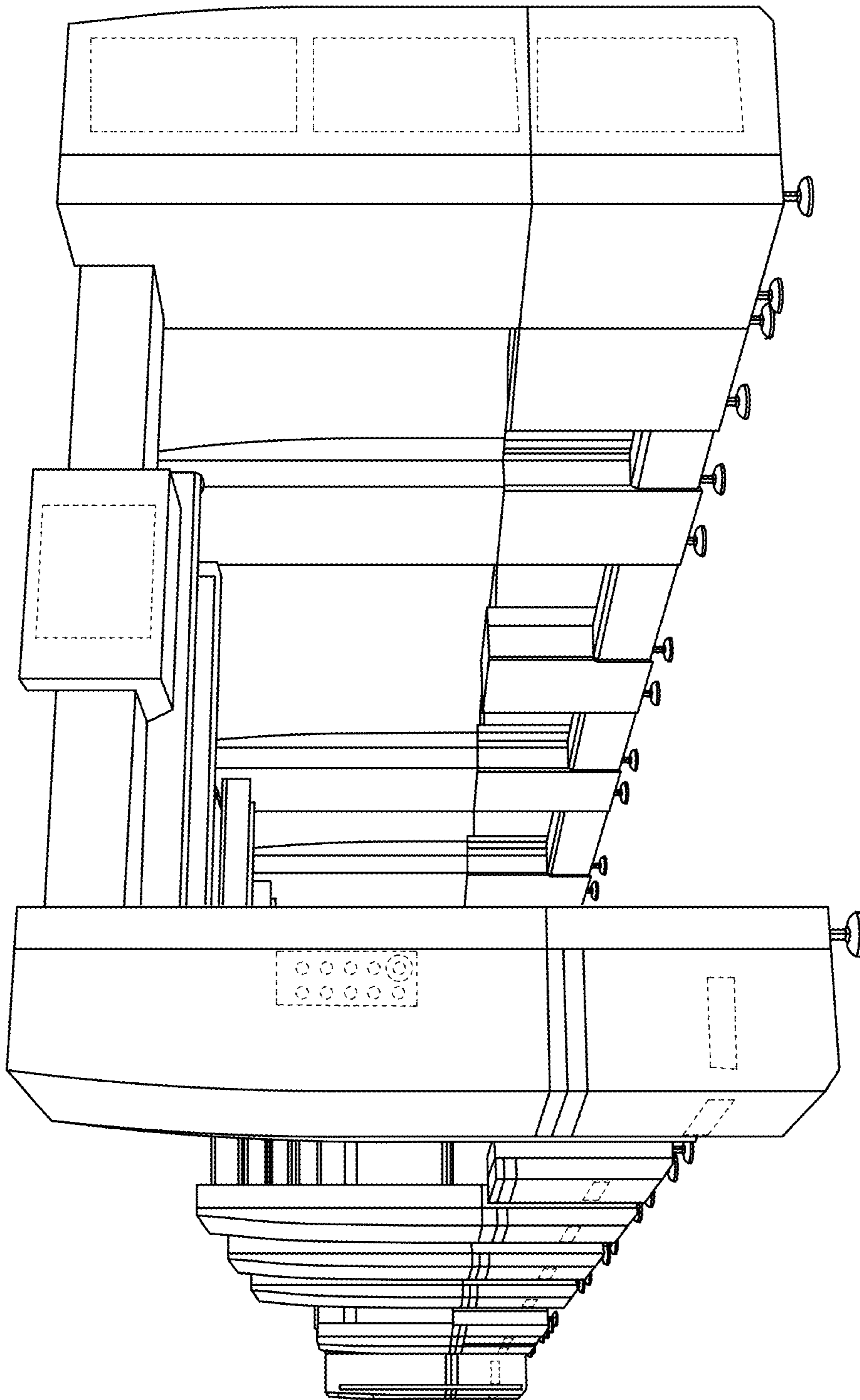


FIG. 2

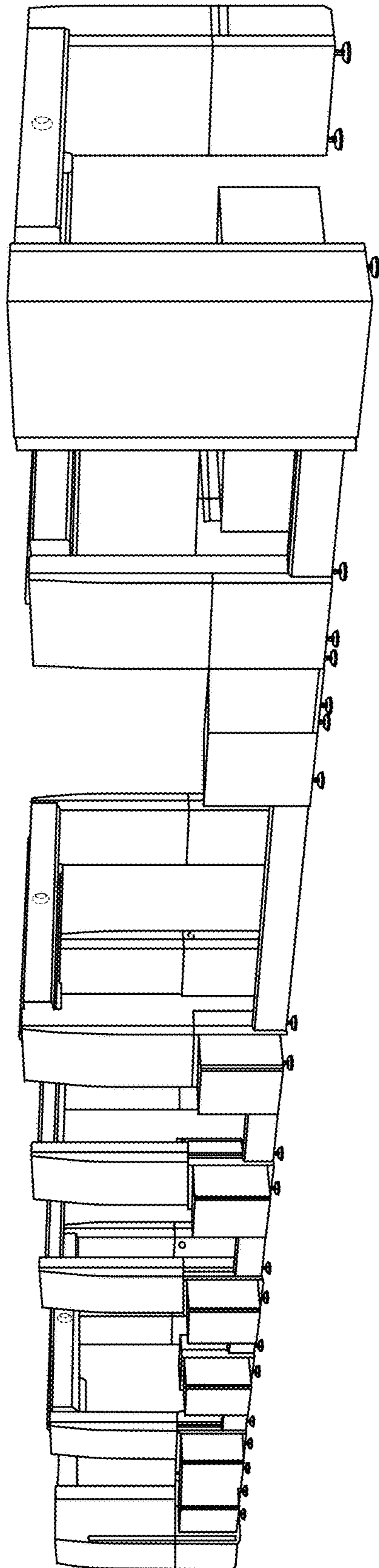


FIG. 3

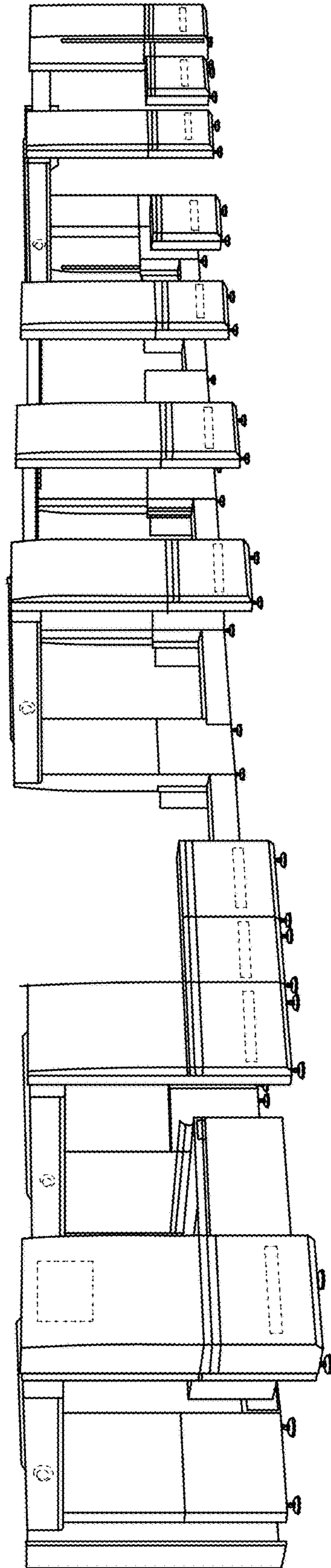


FIG. 4

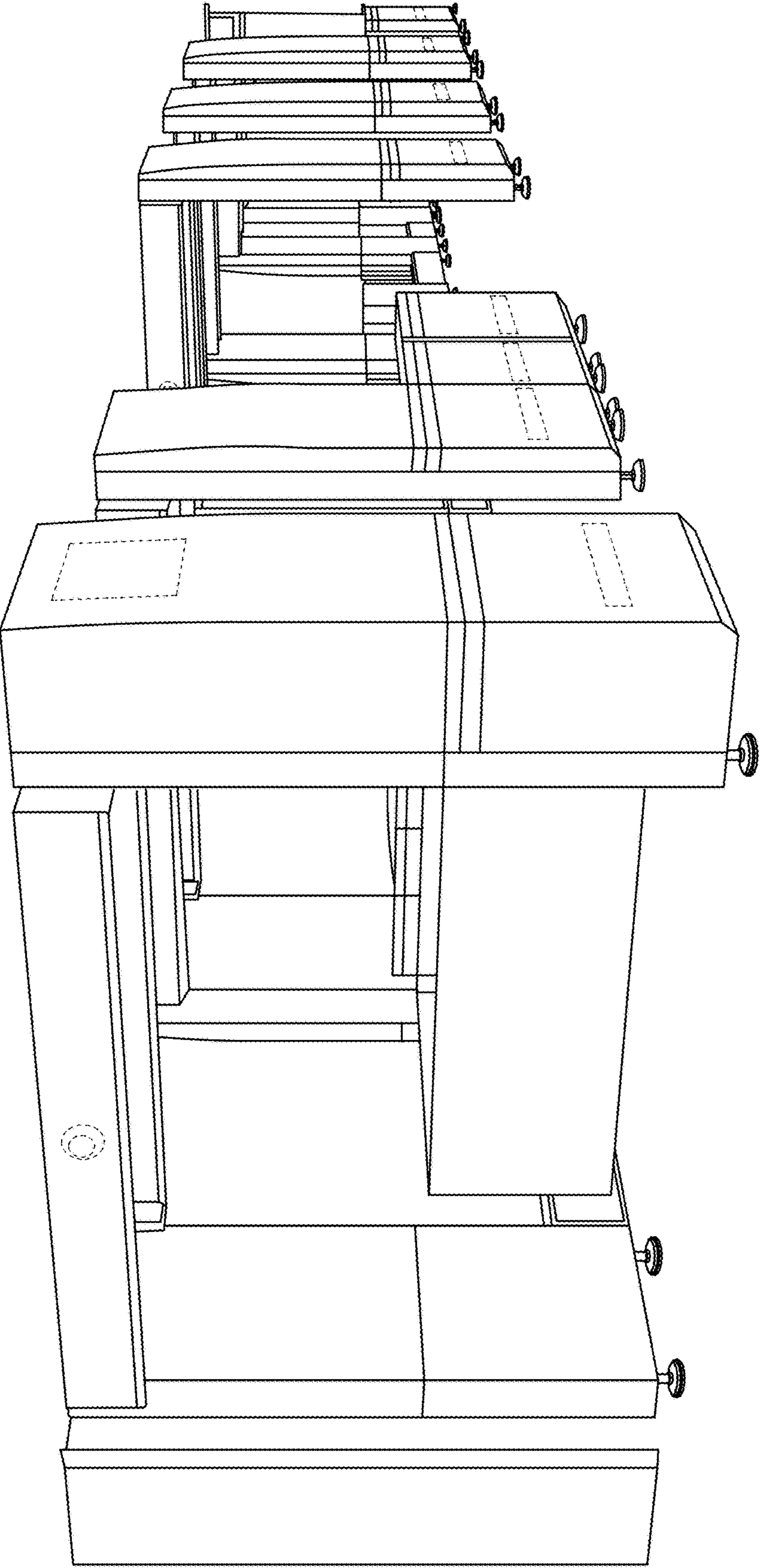


FIG. 5

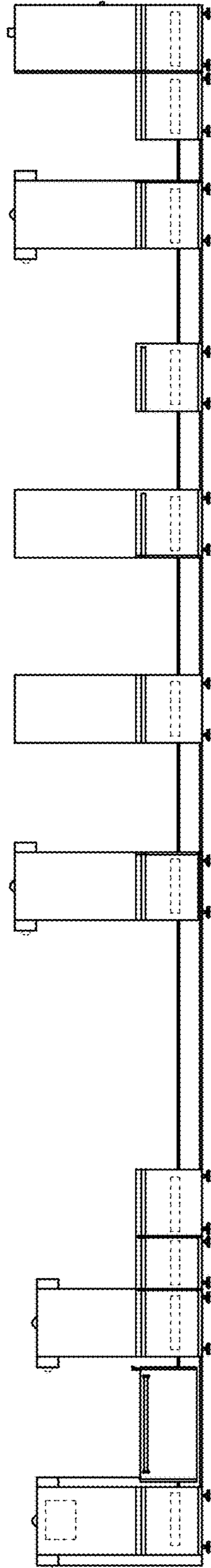


FIG. 6

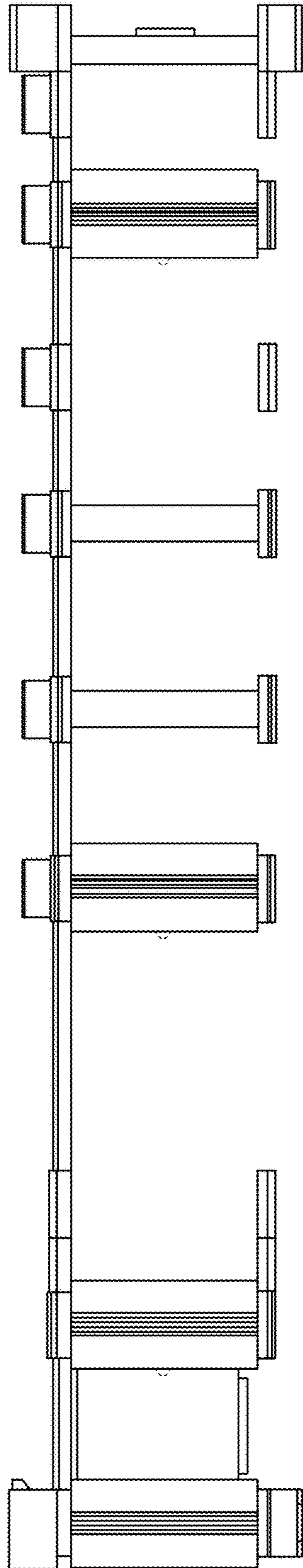


FIG. 7