



US00D810162S

(12) **United States Design Patent** (10) **Patent No.:** **US D810,162 S**
Thweatt, Jr. (45) **Date of Patent:** **** Feb. 13, 2018**

(54) **SUPPORT PLATE ANCHOR TAB**
(71) Applicant: **Carlisle Thweatt, Jr.**, South Haven, MI (US)
(72) Inventor: **Carlisle Thweatt, Jr.**, South Haven, MI (US)
(**) Term: **15 Years**
(21) Appl. No.: **29/620,308**
(22) Filed: **Oct. 4, 2016**
(51) **LOC (11) Cl.** **15-09**
(52) **U.S. Cl.**
USPC **D15/144; D15/138**
(58) **Field of Classification Search**
USPC D15/138, 144, 144.1, 144.2; D20/19, 40, D20/42
CPC H05B 3/16
See application file for complete search history.

D360,127 S * 7/1995 Stiner D20/42
5,880,440 A * 3/1999 Whitfield H05B 3/16
174/138 J
5,959,254 A * 9/1999 Martin, Sr. H05B 3/16
174/138 J
D417,162 S * 11/1999 Thweatt D10/64
D429,286 S * 8/2000 Luciani D20/42
D464,810 S * 10/2002 Thesen D6/315
D477,368 S * 7/2003 Massey D20/27
6,596,974 B2 * 7/2003 Howard H05B 3/06
219/532
6,708,435 B2 * 3/2004 Massey G09F 3/08
40/643
D495,298 S * 8/2004 Keathley D13/117
6,807,220 B1 * 10/2004 Peck 219/402
D556,266 S * 11/2007 Garden D20/43
D649,200 S * 11/2011 Whittier D20/42
D692,954 S * 11/2013 Eisenberg D20/19
D763,964 S * 8/2016 Ting D20/40
2013/0168526 A1 * 7/2013 Walther A61M 5/1415
248/519

* cited by examiner

Primary Examiner — Patricia A Palasik

(56) **References Cited**
U.S. PATENT DOCUMENTS

1,790,157 A * 1/1931 Kovary G09F 3/00
223/85
2,673,889 A * 3/1954 Metz H05B 3/16
174/138 J
2,694,765 A * 11/1954 Hynes H05B 3/16
174/174
2,927,956 A * 3/1960 Reisch H05B 3/16
174/138 J
3,069,009 A * 12/1962 Hoefflich B65D 85/18
206/284
4,531,017 A * 7/1985 Sherrill H05B 3/16
174/138 J
D303,816 S * 10/1989 Fitzpatrick D21/480
D303,817 S * 10/1989 Fitzpatrick D21/480
D303,818 S * 10/1989 Fitzpatrick D21/480

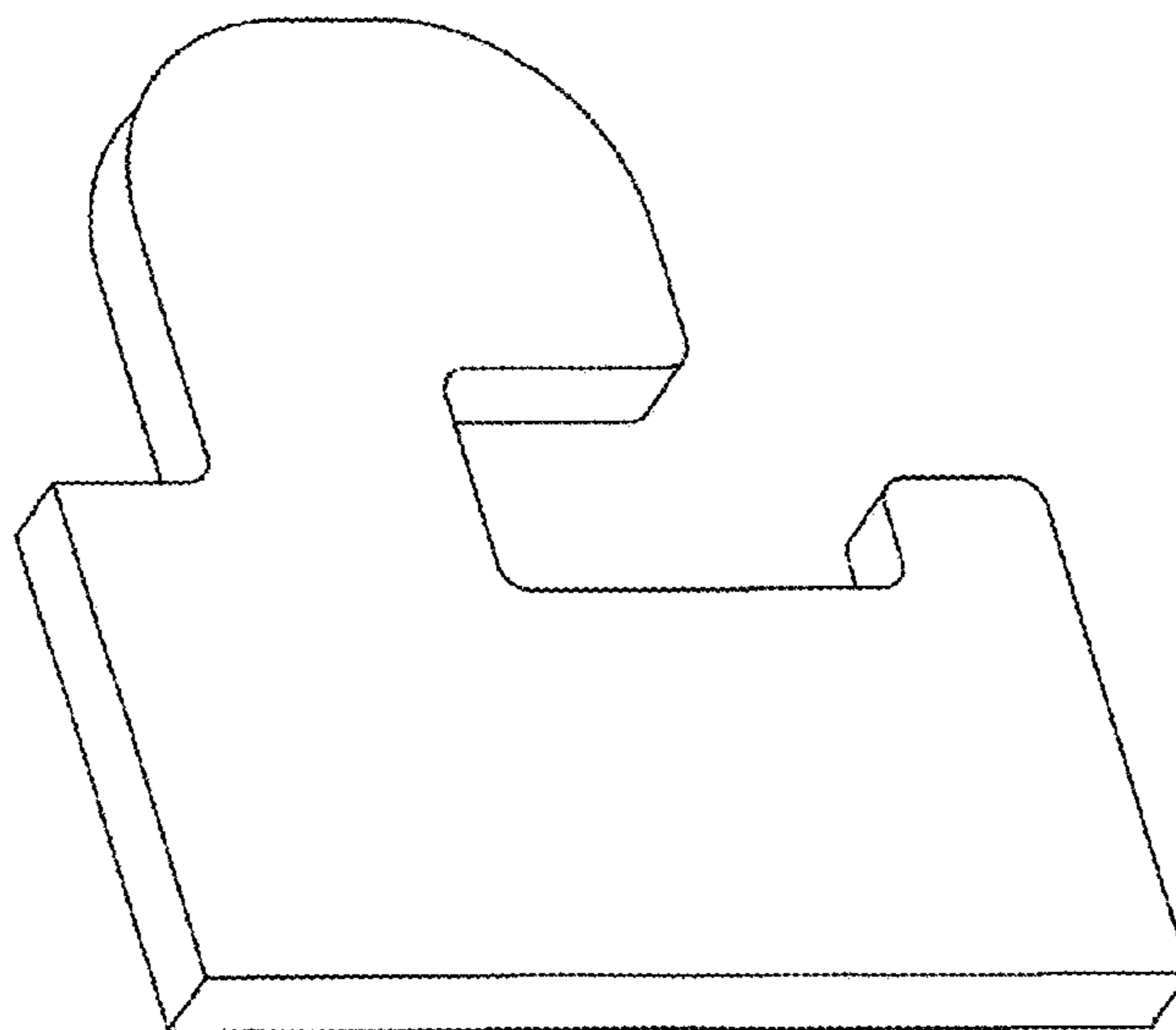
(57) **CLAIM**

The ornamental design for a support plate anchor tab, as shown and described.

DESCRIPTION

FIG. 1 is a perspective view of a support plate anchor tab, showing my new design,
FIG. 2 is a top plan view, the opposite side being a mirror image of the side shown
FIG. 3 is a back side elevation view.
FIG. 4 is a right side elevation view.
FIG. 5 is a left side elevation view; and,
FIG. 6 is a front side elevation view.

1 Claim, 2 Drawing Sheets



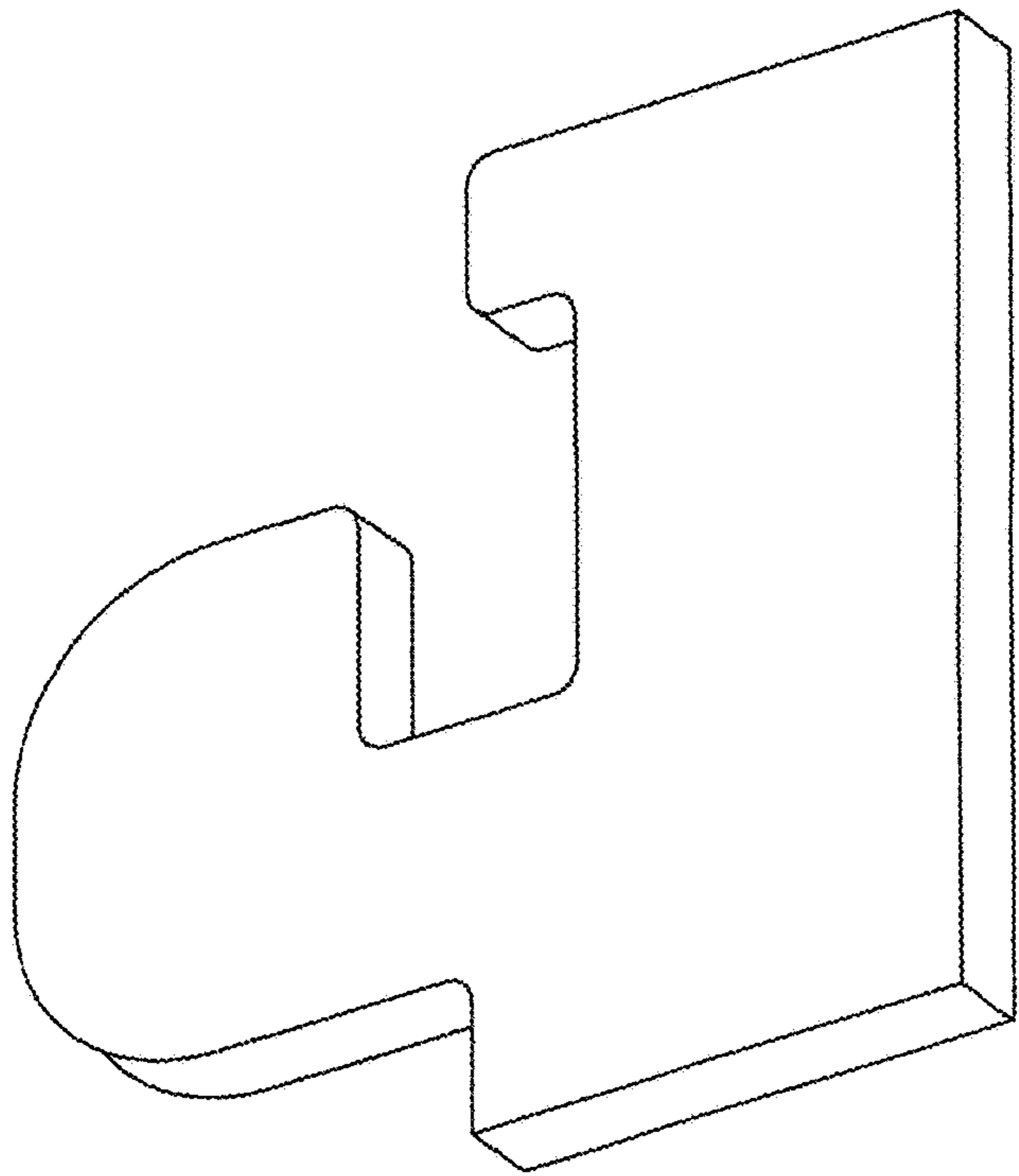


FIG. 1.



Fig. 3.

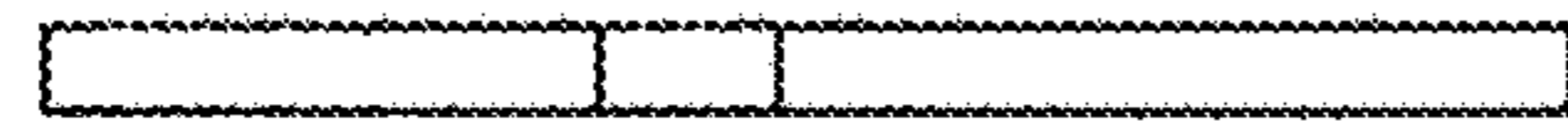


Fig. 4.

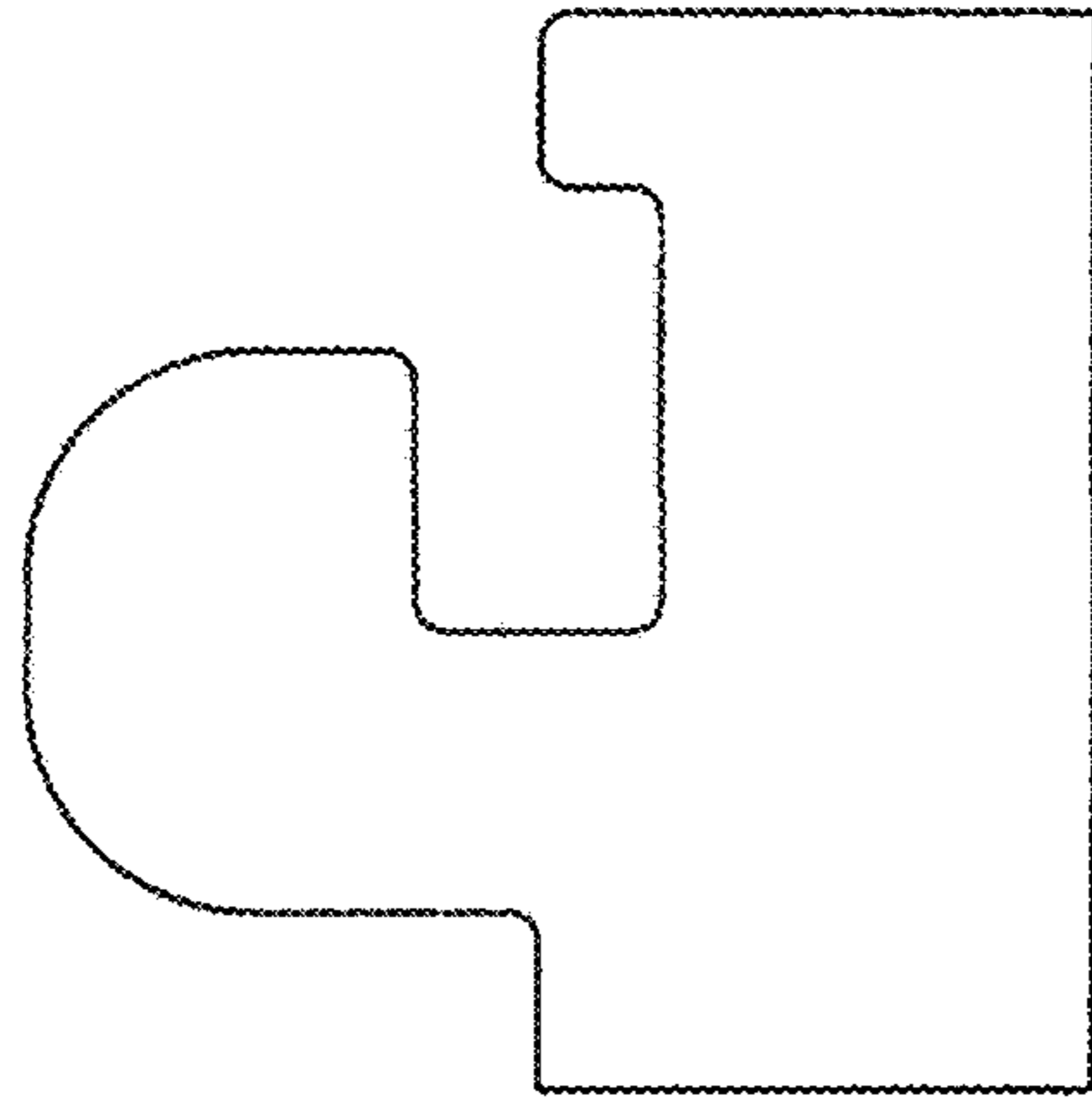


Fig. 5.



Fig. 6.