



US00D810160S

(12) **United States Design Patent** (10) **Patent No.:** **US D810,160 S**
Dohm (45) **Date of Patent:** **** Feb. 13, 2018**

(54) **TOOL HOLDER**

- (71) Applicant: **Hans Dohm**, Pickens, SC (US)
- (72) Inventor: **Hans Dohm**, Pickens, SC (US)
- (**) Term: **15 Years**
- (21) Appl. No.: **29/570,971**
- (22) Filed: **Jul. 13, 2016**

- (51) **LOC (11) Cl.** **15-09**
- (52) **U.S. Cl.**
USPC **D15/140; D8/377**
- (58) **Field of Classification Search**
USPC D8/14, 67, 71, 81, 314, 339, 349, 353,
D8/373, 377, 393; D15/140, 199;
D17/20, 21
CPC A45F 5/02; A45F 5/021; A45F 2200/0575;
Y10S 224/904
See application file for complete search history.

(56) **References Cited**

U.S. PATENT DOCUMENTS

D595,750 S *	7/2009	Ericksson	D15/139
8,434,206 B2 *	5/2013	Yu	B25B 9/02 29/278
D713,463 S *	9/2014	Dougherty	D20/43
D734,134 S *	7/2015	Bauerle	D8/372
D747,636 S *	1/2016	Maher	D8/72
D755,613 S *	5/2016	Ajello	D8/372
D763,066 S *	8/2016	Sugimoto	D8/382
D776,916 S *	1/2017	Yeruva	D14/253
D798,122 S *	9/2017	Eisenhauer	D8/33

OTHER PUBLICATIONS

EZ Square Holder, posted on amazon.com, first available Jun. 27, 2016, no production date available, [online], [site visited Oct. 22, 2017], available from internet, URL: <https://www.amazon.com/EZSquareHolder-com-SSH1-EZ-Square-Holder/dp/B01DOOEBW6> (Year: 2016).*

Speed Square Holder Review, posted on youtube.com, posted May 12, 2017, no production date given, [online], [site visited Oct. 22, 2017], Available from Internet, URL: <https://www.youtube.com/watch?v=EISOwj7s-2g> (Year: 2017).*

* cited by examiner

Primary Examiner — Melanie H Tung
Assistant Examiner — Fritzgerald Butac
 (74) *Attorney, Agent, or Firm* — Berliner & Associates

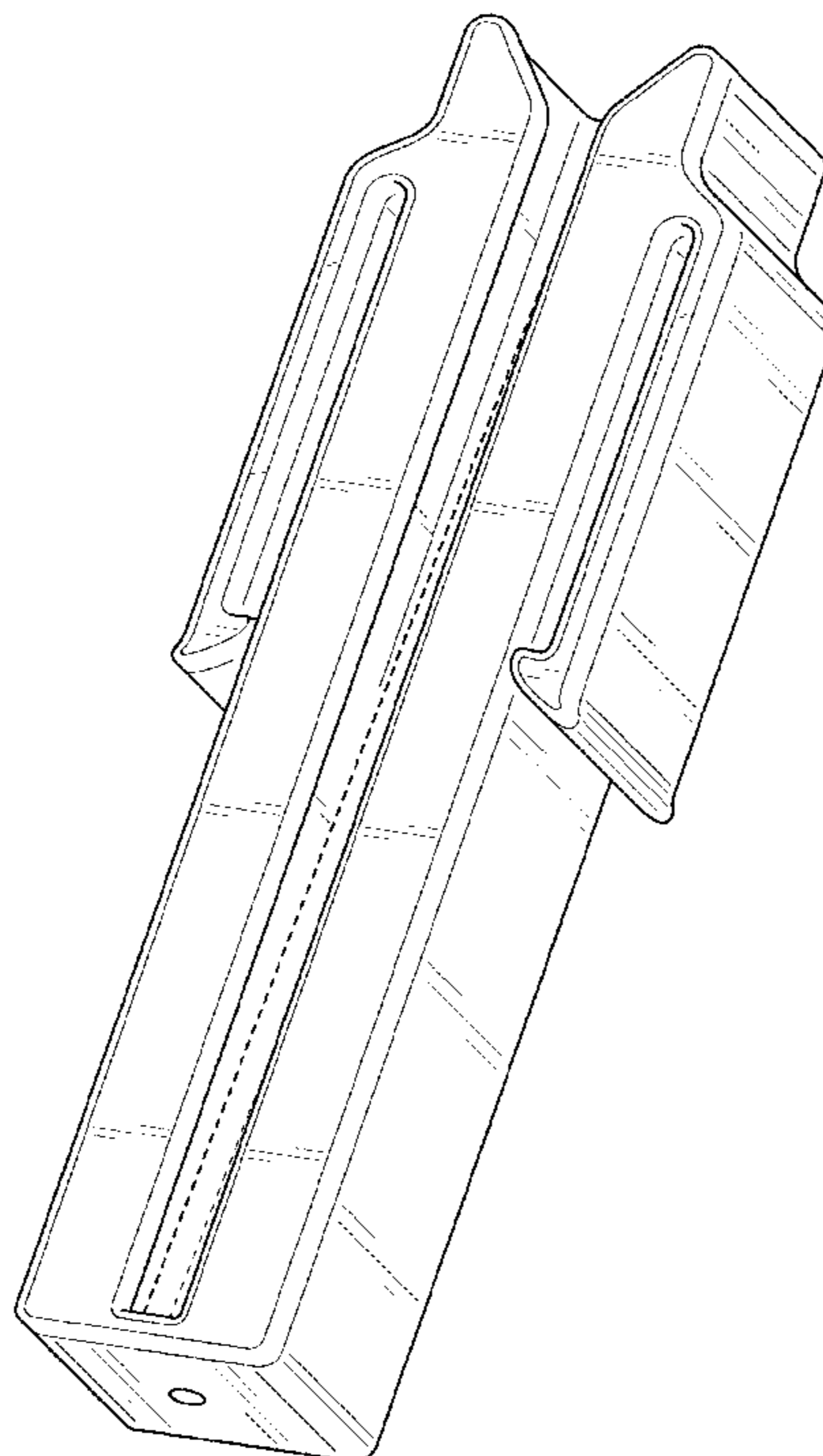
(57) **CLAIM**

The ornamental design for a tool holder, as shown and described.

DESCRIPTION

FIG. 1 is a front, left side, bottom isometric view of my tool holder;
 FIG. 2 is a front view of the tool holder of FIG. 1;
 FIG. 3 is a rear view of the tool holder of FIG. 1;
 FIG. 4 is a left side view of the tool holder of FIG. 1;
 FIG. 5 is a right side view of the tool holder of FIG. 1;
 FIG. 6 is a top view of the tool holder of FIG. 1; and,
 FIG. 7 is a bottom view of the tool holder of FIG. 1.
 The broken lines visible in FIGS. 1, 2 and 6 are for the purpose of showing visible portions of a pair of internal ribs that form no part of the claimed design.

1 Claim, 6 Drawing Sheets



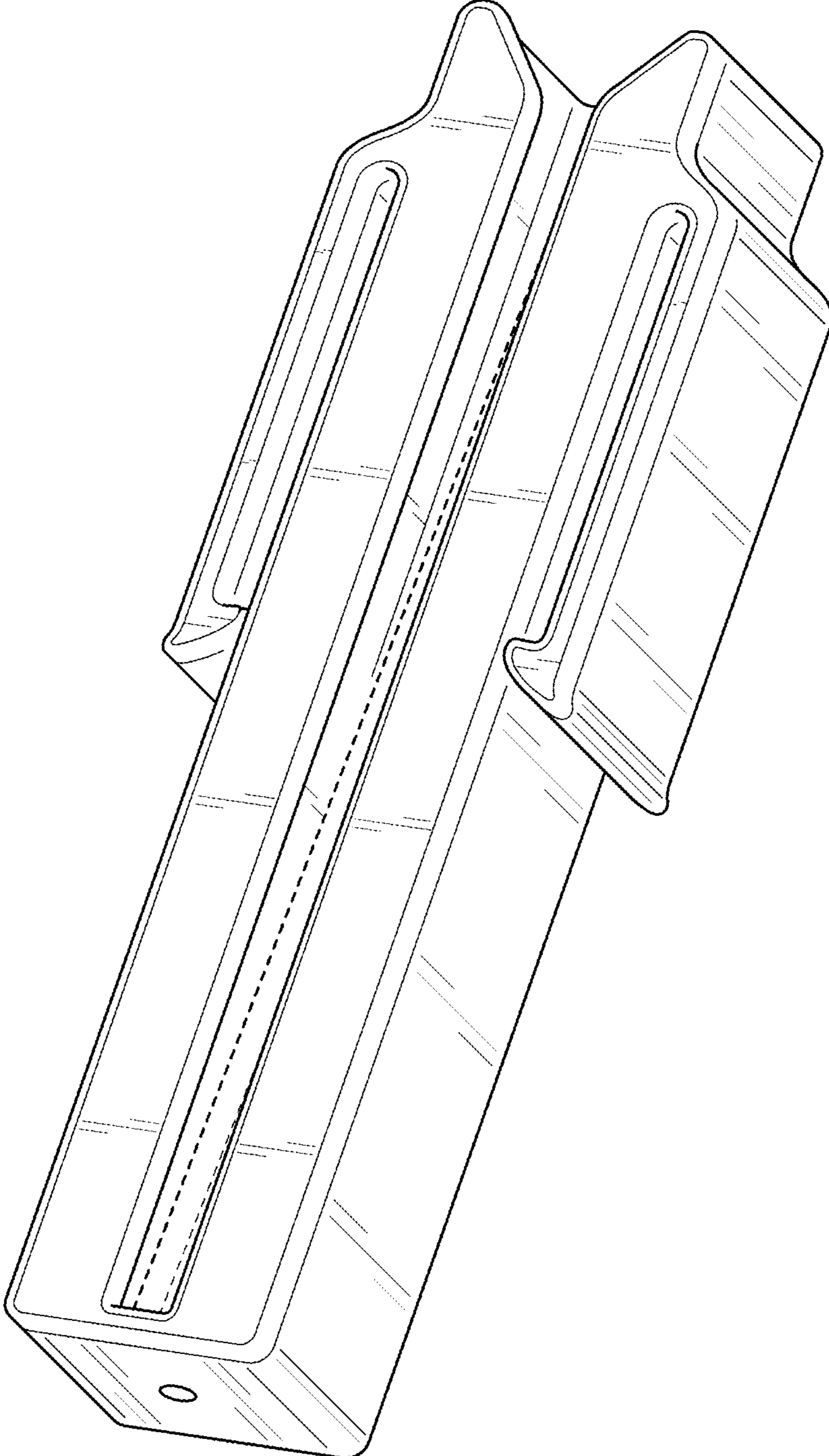


FIG. 1

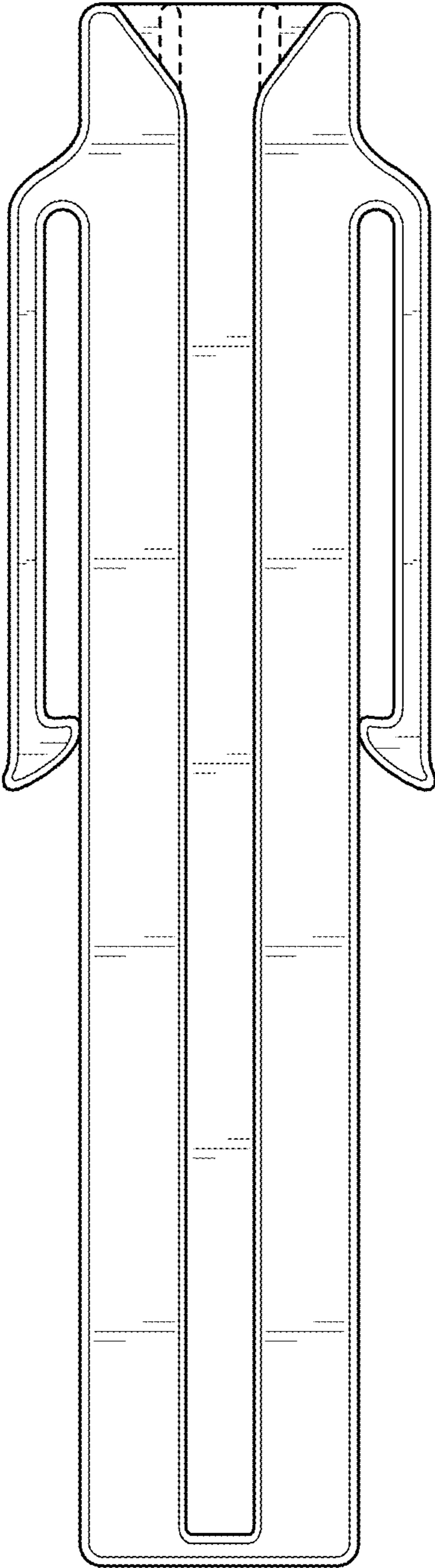


FIG. 2

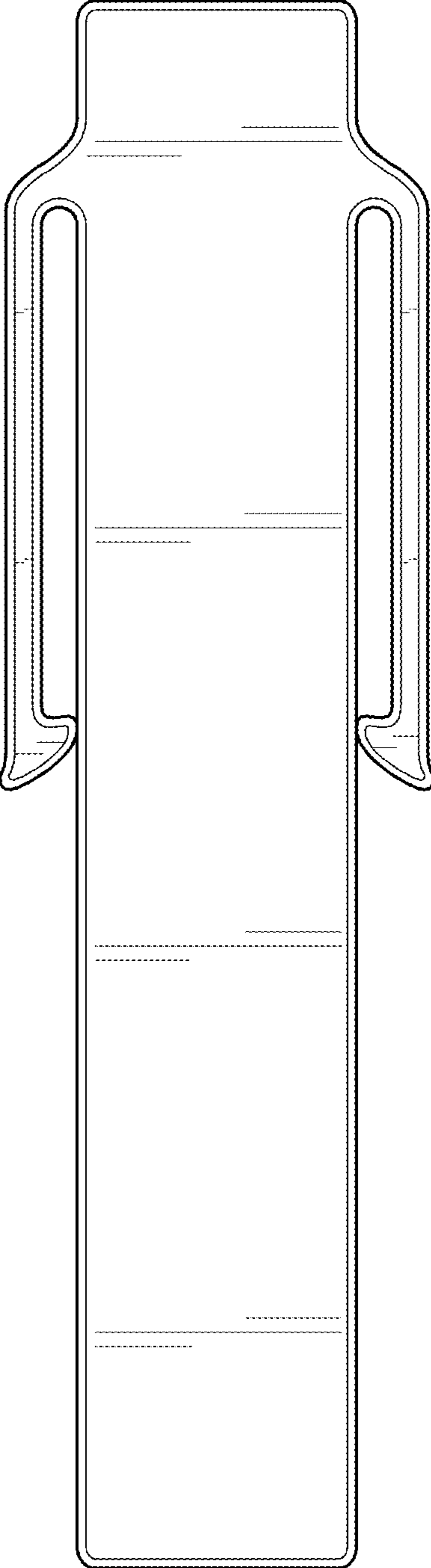


FIG. 3

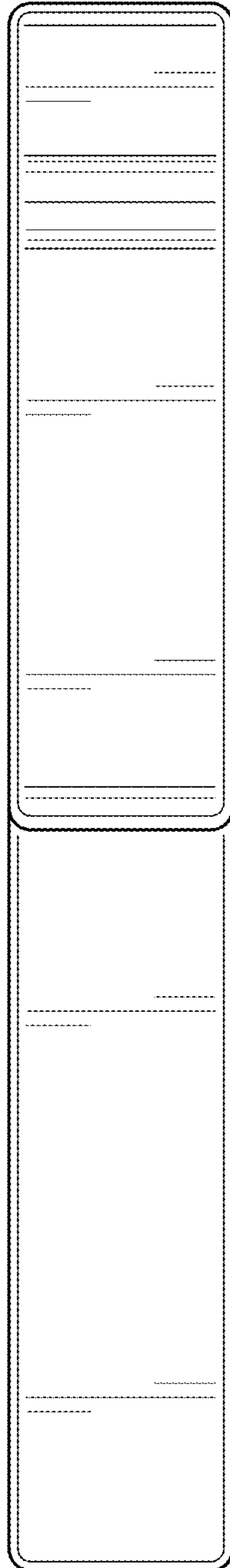


FIG. 4

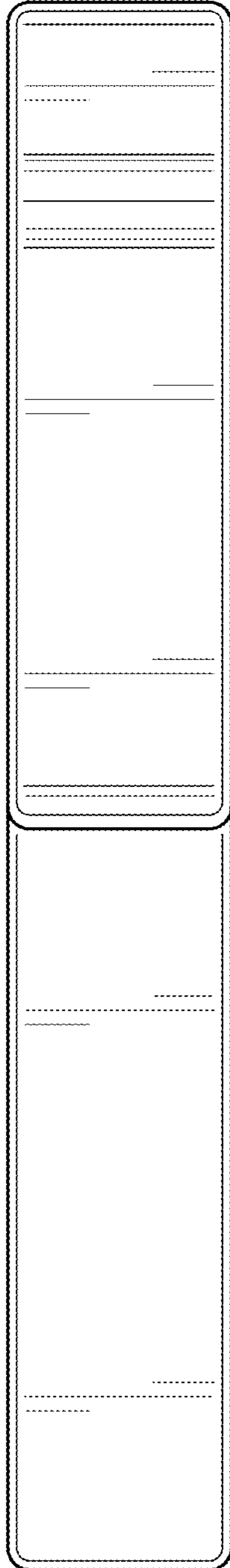


FIG. 5

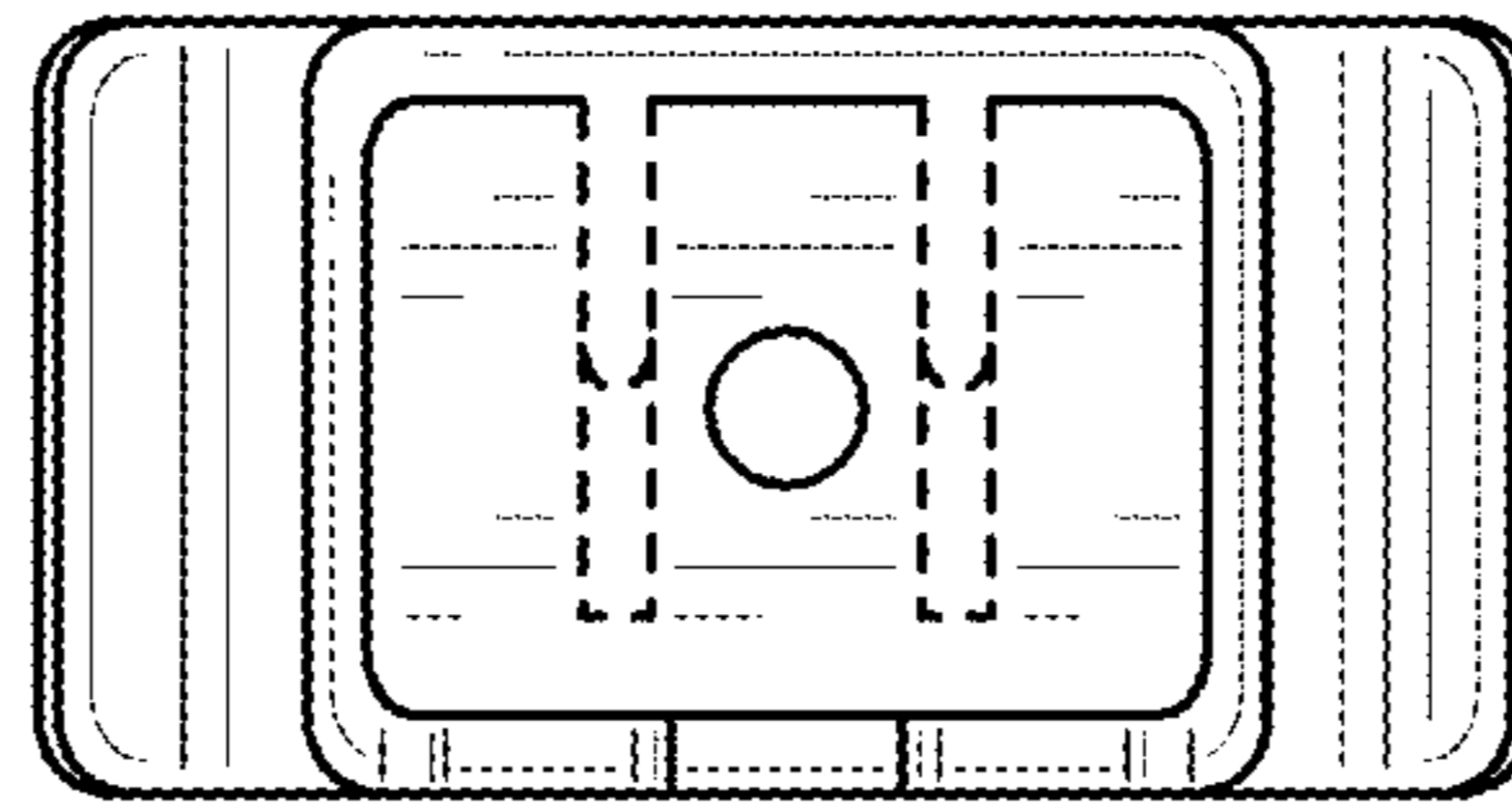


FIG. 6

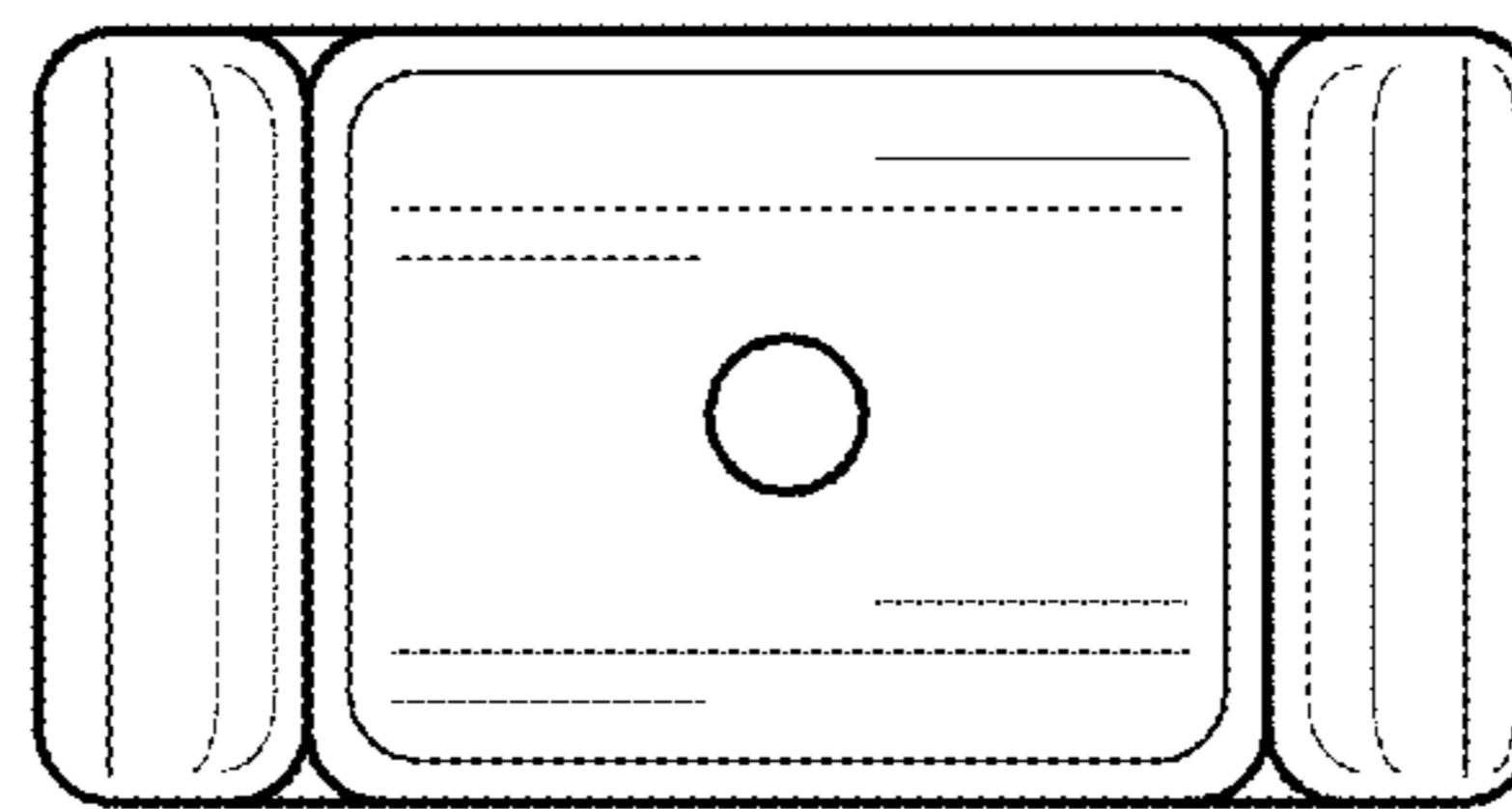


FIG. 7