



US00D810159S

(12) **United States Design Patent** (10) **Patent No.:** **US D810,159 S**
Chou et al. (45) **Date of Patent:** **** Feb. 13, 2018**

(54) **TIP FOR CUTTING TOOL**

2200/367; B23C 2200/0422; B23C
2200/0416; B23C 2200/0477; B23C
2200/0494

(71) Applicant: **SUMITOMO ELECTRIC
HARDMETAL CORP.**, Itami-shi (JP)

See application file for complete search history.

(72) Inventors: **Bin Chou**, Osaka (JP); **Shigenori
Emoto**, Osaka (JP)

(56) **References Cited**

(73) Assignee: **SUMITOMO ELECTRIC
HARDMETAL CORP.**, Itami-shi (JP)

U.S. PATENT DOCUMENTS

(**) Term: **15 Years**

D341,604 S * 11/1993 Hessman D15/139
D347,642 S * 6/1994 Lindberg D15/139
D362,859 S * 10/1995 Wiman D15/139

(Continued)

(21) Appl. No.: **29/602,999**

Primary Examiner — Patricia A Palasik

(22) Filed: **May 5, 2017**

(74) *Attorney, Agent, or Firm* — Venable LLP; Michael
A. Sartori; Miguel A. Lopez

Related U.S. Application Data

(62) Division of application No. 29/514,226, filed on Jan.
9, 2015, now Pat. No. Des. 789,429.

(57) **CLAIM**

The ornamental design for a tip for cutting tool, as shown
and described.

Foreign Application Priority Data

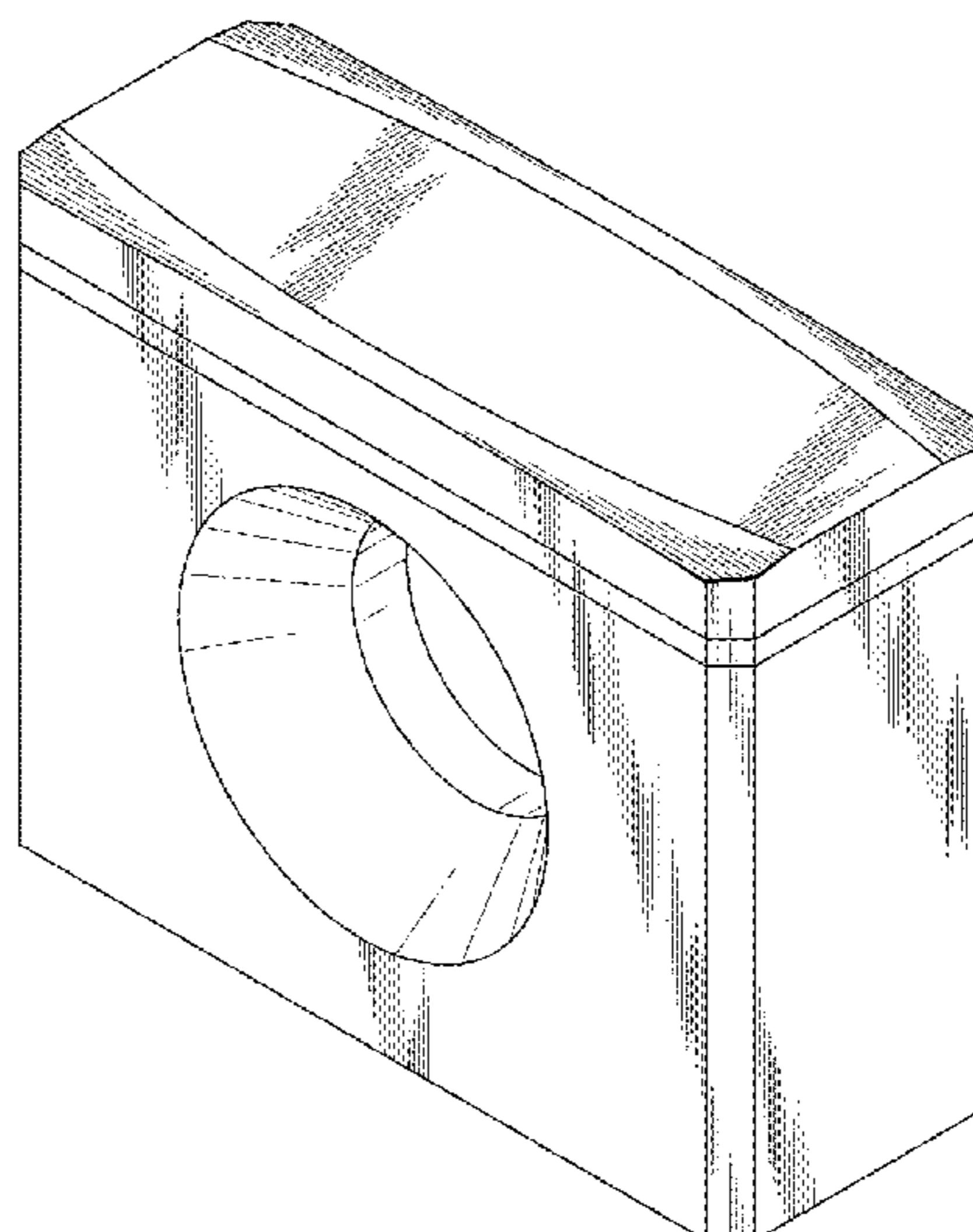
(30)
Jul. 9, 2014 (JP) 2014-015033
Jul. 9, 2014 (JP) 2014-015034
Jul. 9, 2014 (JP) 2014-015035
Jul. 9, 2014 (JP) 2014-015036
Jul. 9, 2014 (JP) 2014-015037
Jul. 9, 2014 (JP) 2014-015038

DESCRIPTION

FIG. 1 is a front view of a tip for cutting tool showing our
new design,
FIG. 2 is a rear view thereof;
FIG. 3 is a top plan view thereof;
FIG. 4 is a bottom plan view thereof;
FIG. 5 is a right side view thereof;
FIG. 6 is a left side view thereof;
FIG. 7 is a cross sectional view taken along line 7-7 of FIG.
1,
FIG. 8 is an enlarged view of 8-a portion of FIG. 1,
FIG. 9 is an enlarged view of 9-a portion of FIG. 1,
FIG. 10 is an enlarged view of 10-a portion of FIG. 1,
FIG. 11 is an enlarged view of 11-b portion of FIG. 5,
FIG. 12 is an enlarged view of 12-b portion of FIG. 5,
FIG. 13 is a perspective view thereof; and,
FIG. 14 is a referential perspective view showing the state
in use thereof.

The broken lines in the drawings depict unclaimed environ-
mental subject matter.

1 Claim, 7 Drawing Sheets



(56)

References Cited

U.S. PATENT DOCUMENTS

D364,178 S *	11/1995	Hansson	D15/139
D379,360 S *	5/1997	Satran	D15/139
D404,406 S *	1/1999	Satran	D15/139
D485,852 S *	1/2004	Arvidsson	D15/139
D486,505 S *	2/2004	Arvidsson	D15/139
D487,281 S *	3/2004	Roman	D15/139
D555,684 S *	11/2007	Waggle	D15/139
D637,214 S *	5/2011	Saito	D15/139
D638,041 S *	5/2011	Saito	D15/139
D688,716 S *	8/2013	Lampe	D15/139
D736,841 S *	8/2015	Jung	D15/139
D748,703 S *	2/2016	Nam	D15/139
D752,664 S *	3/2016	Jung	D15/139
D755,267 S *	5/2016	Lee	D15/139
D789,429 S *	6/2017	Chou	D15/139

* cited by examiner

FIG.1

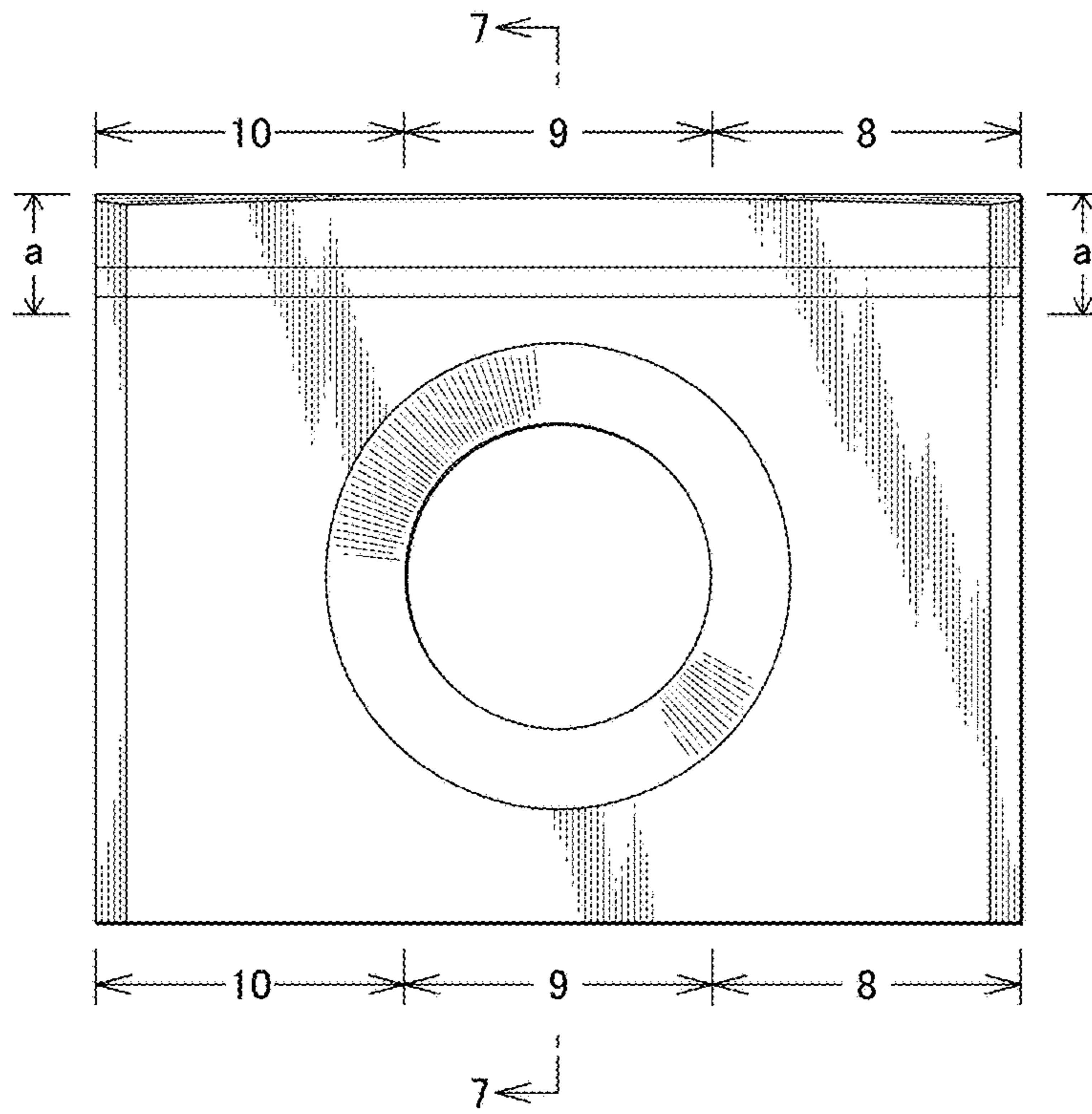


FIG.2

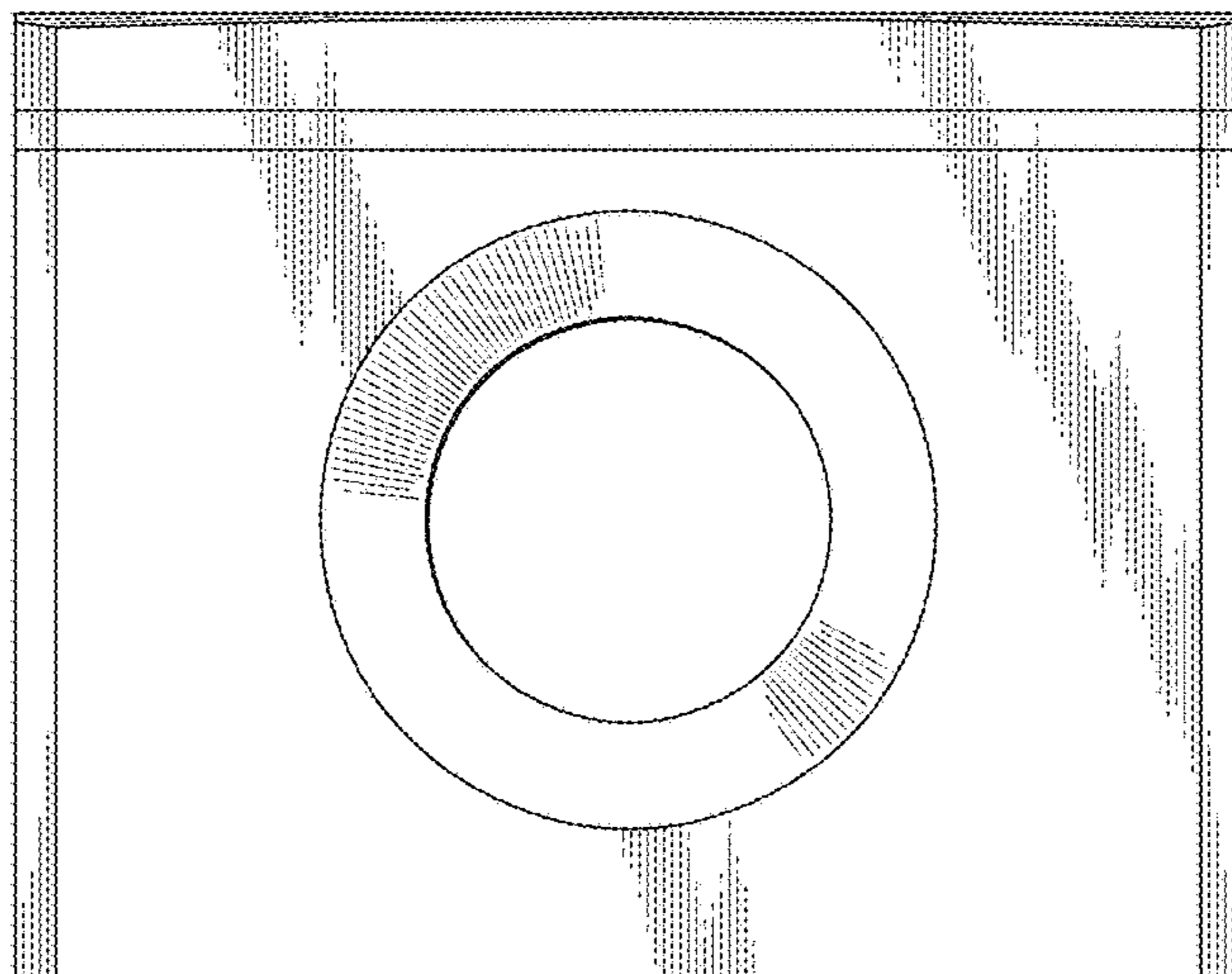


FIG.3

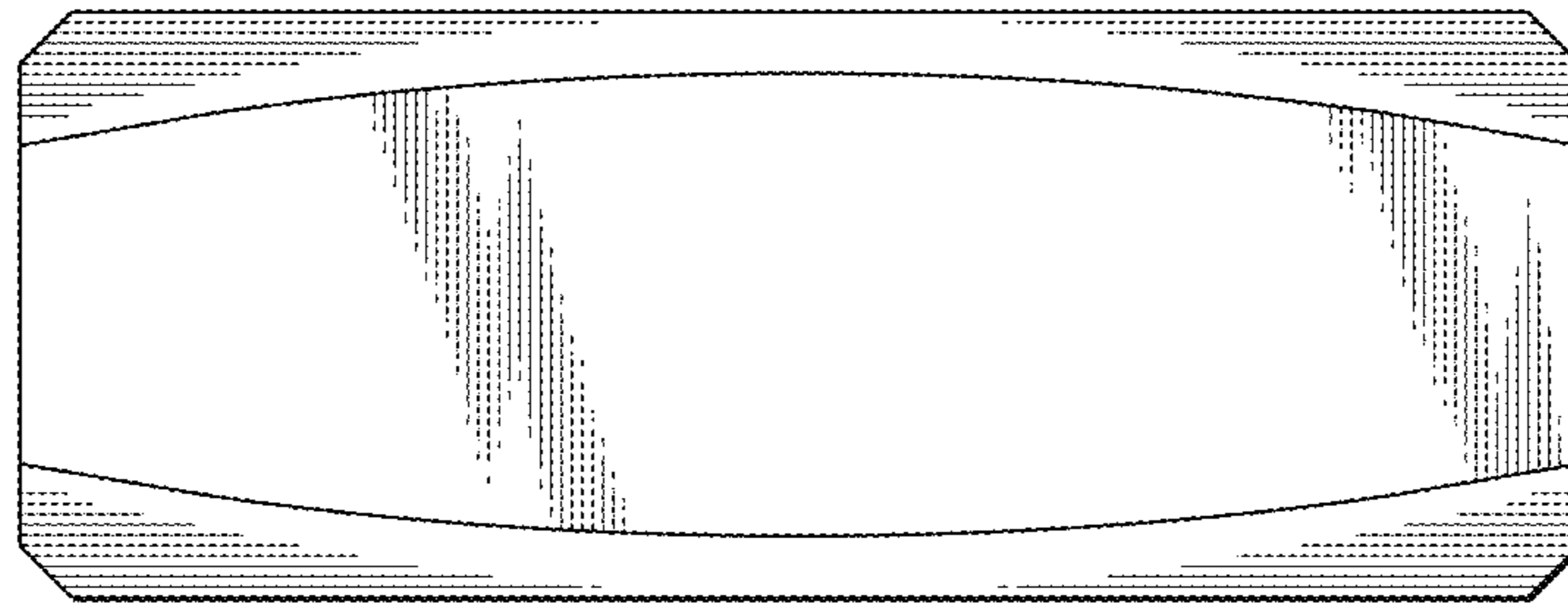


FIG.4

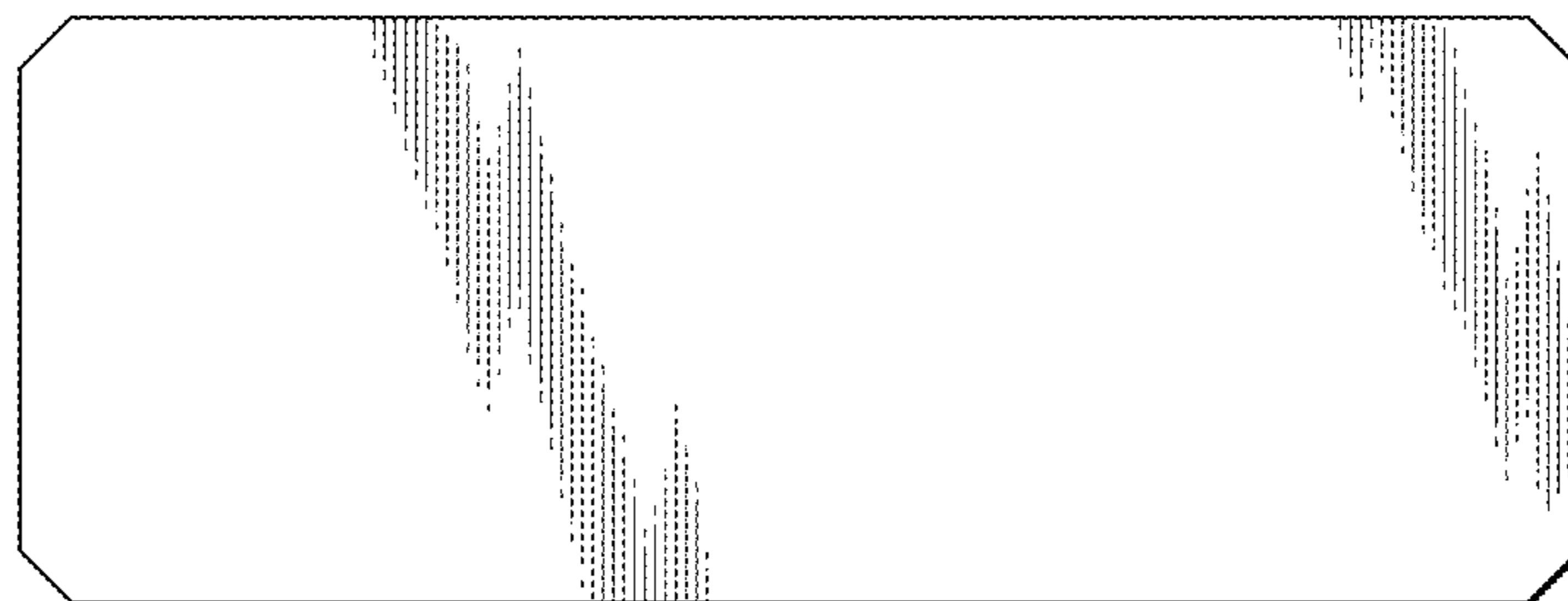


FIG.5

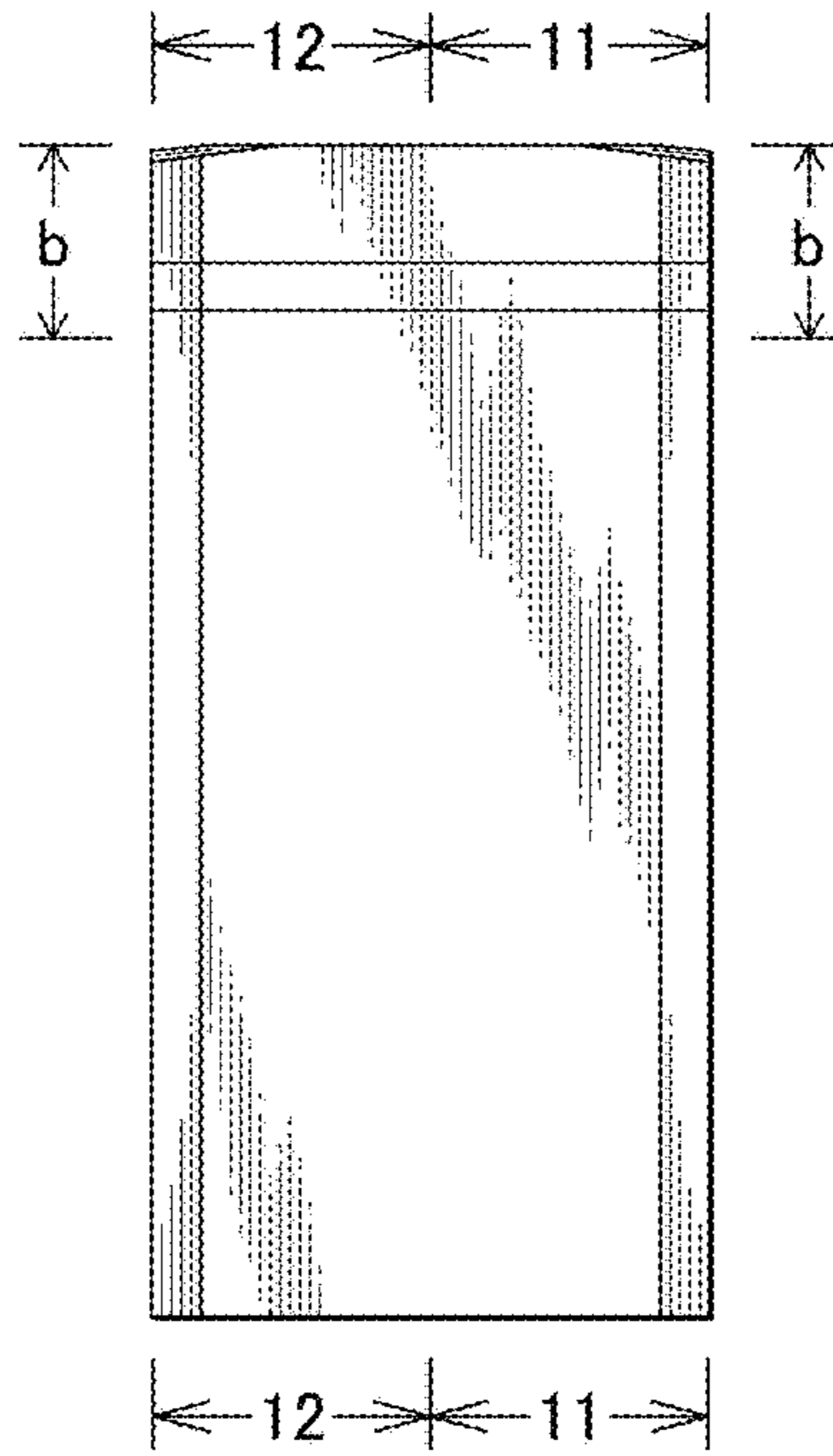


FIG.6

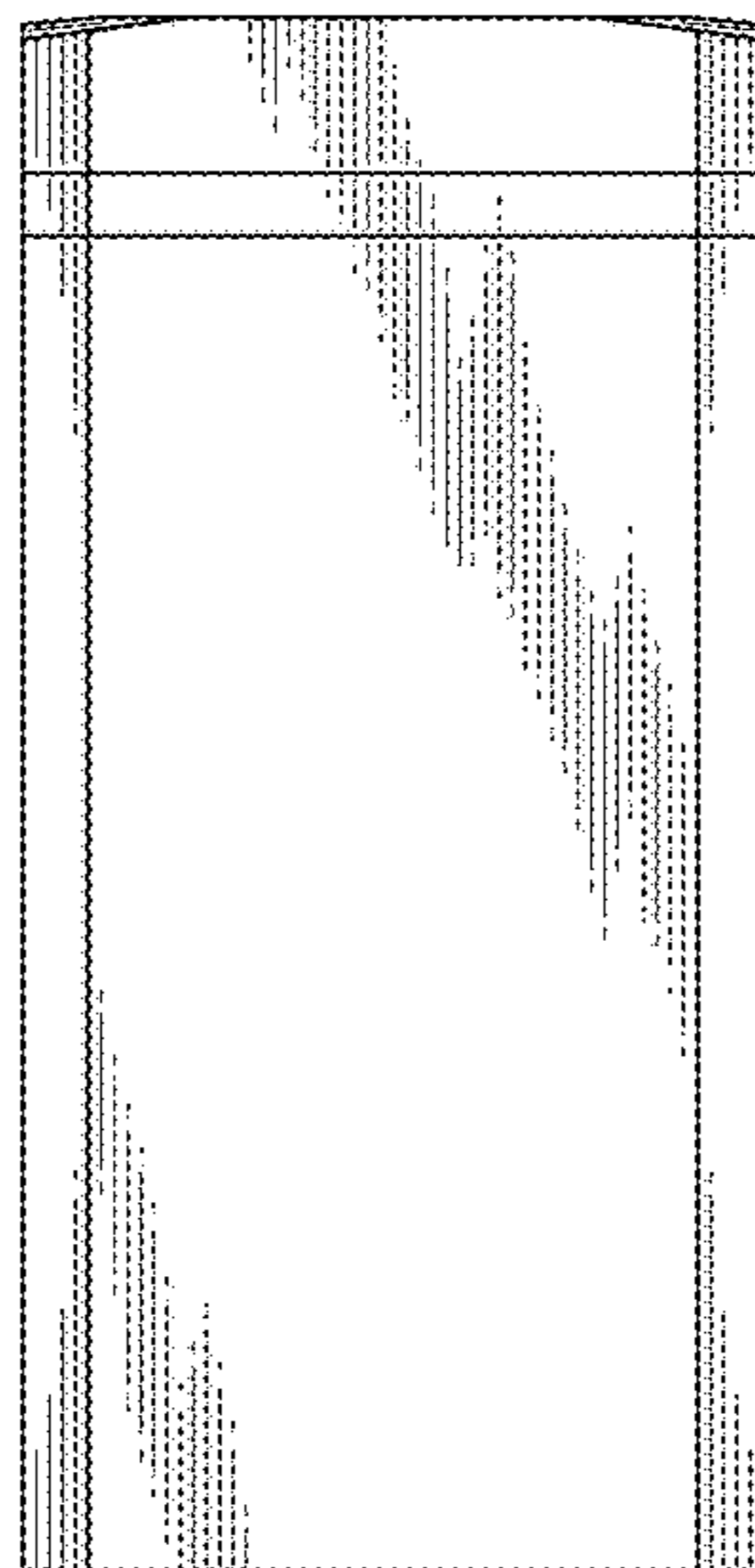


FIG.7

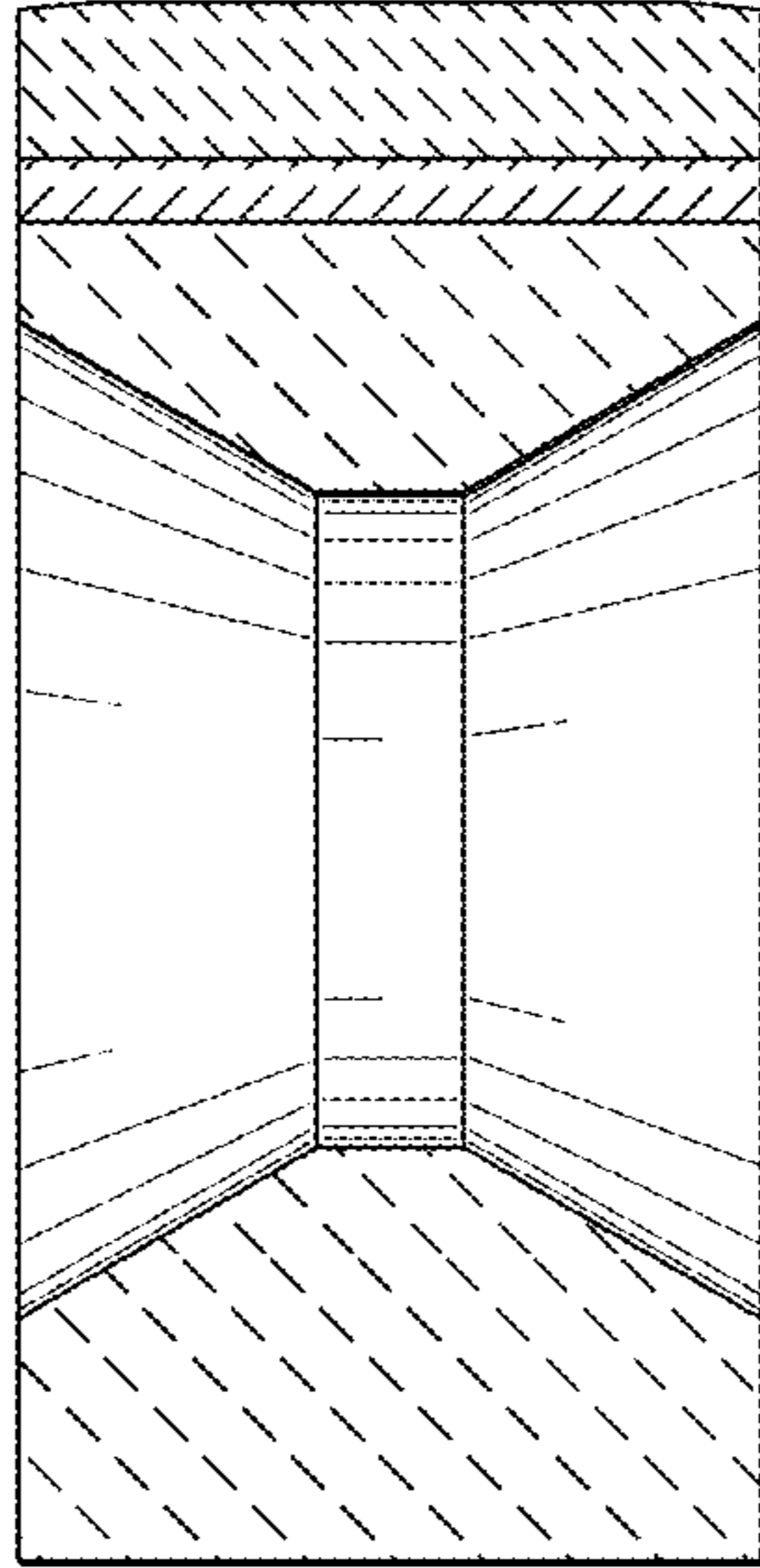


FIG.8

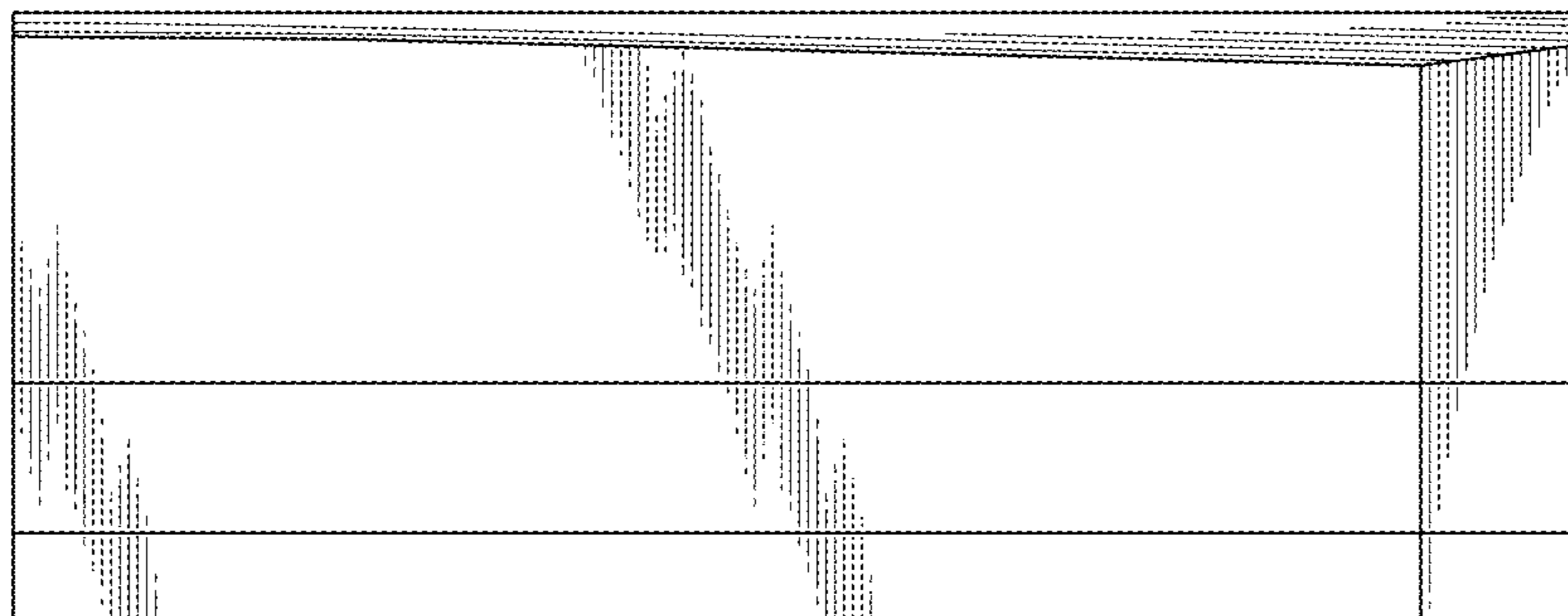


FIG.9

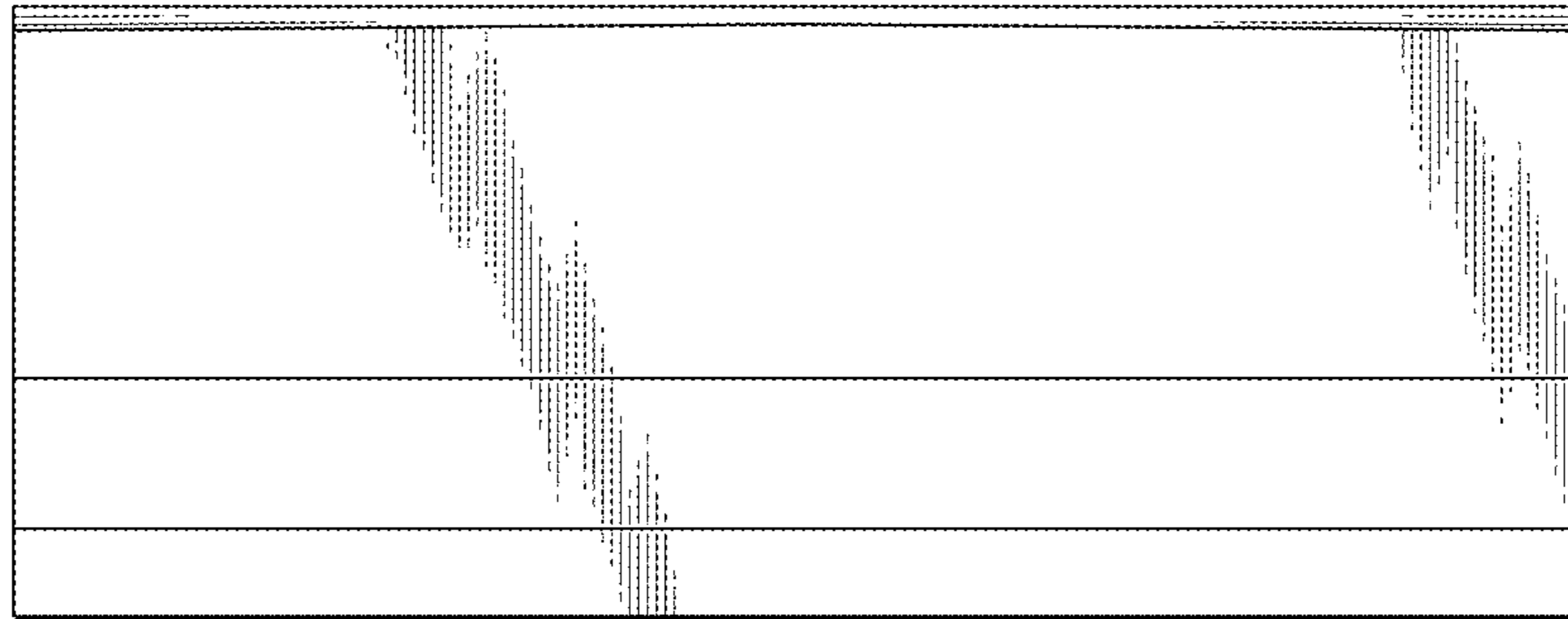


FIG.10

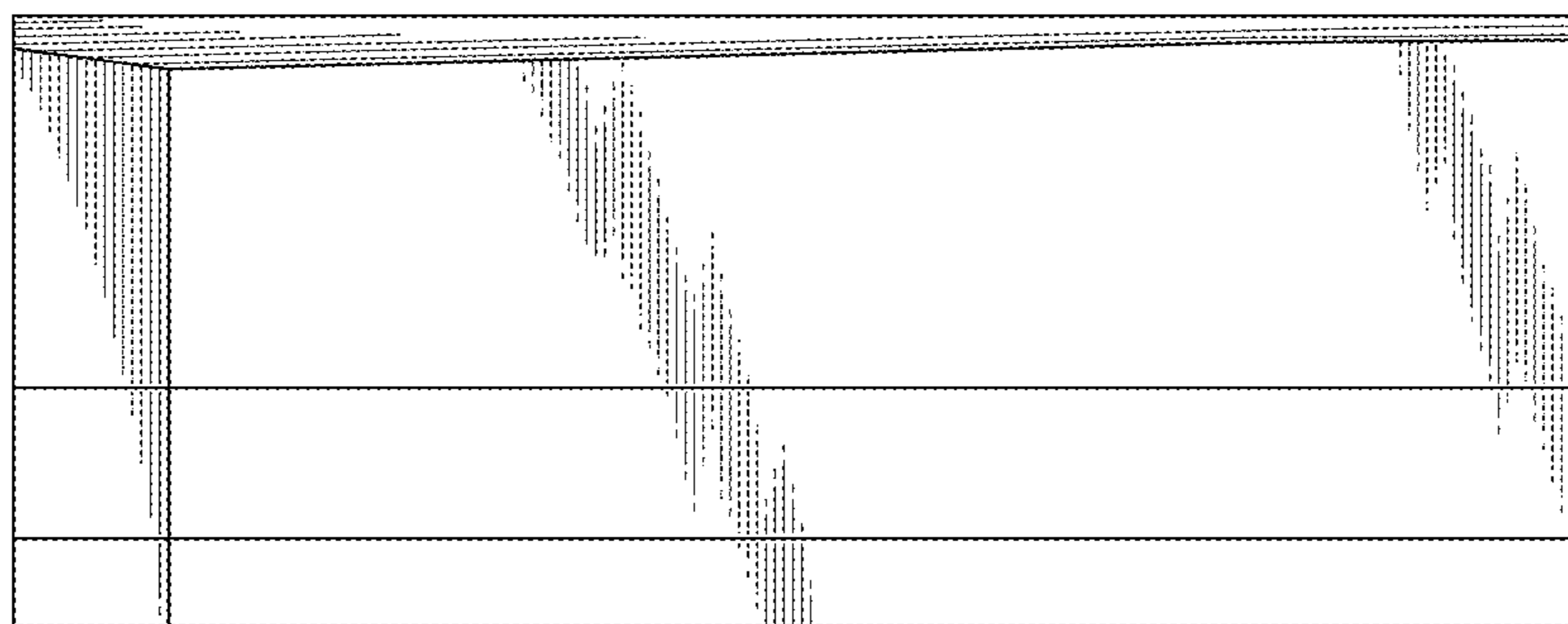


FIG.11

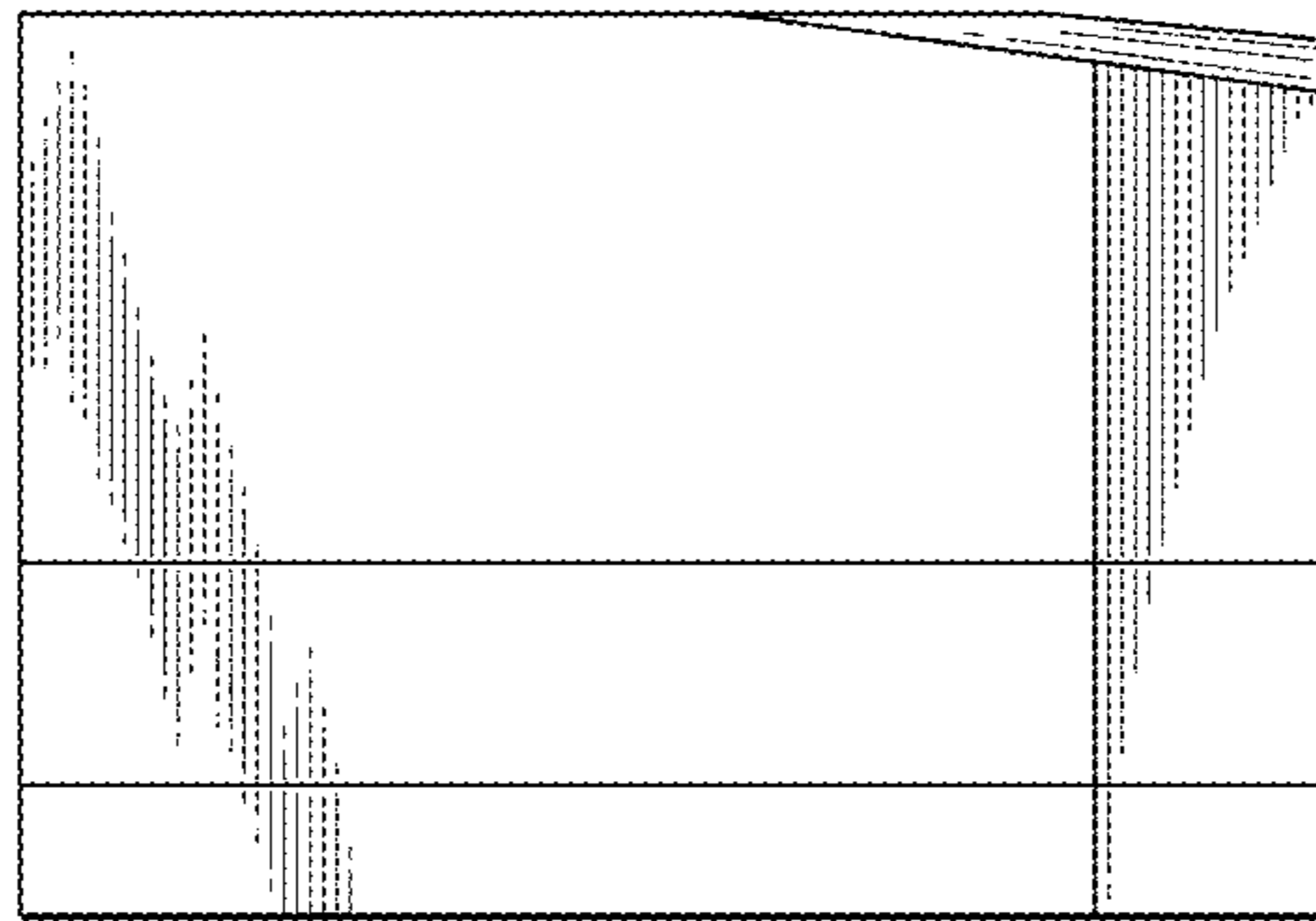


FIG.12

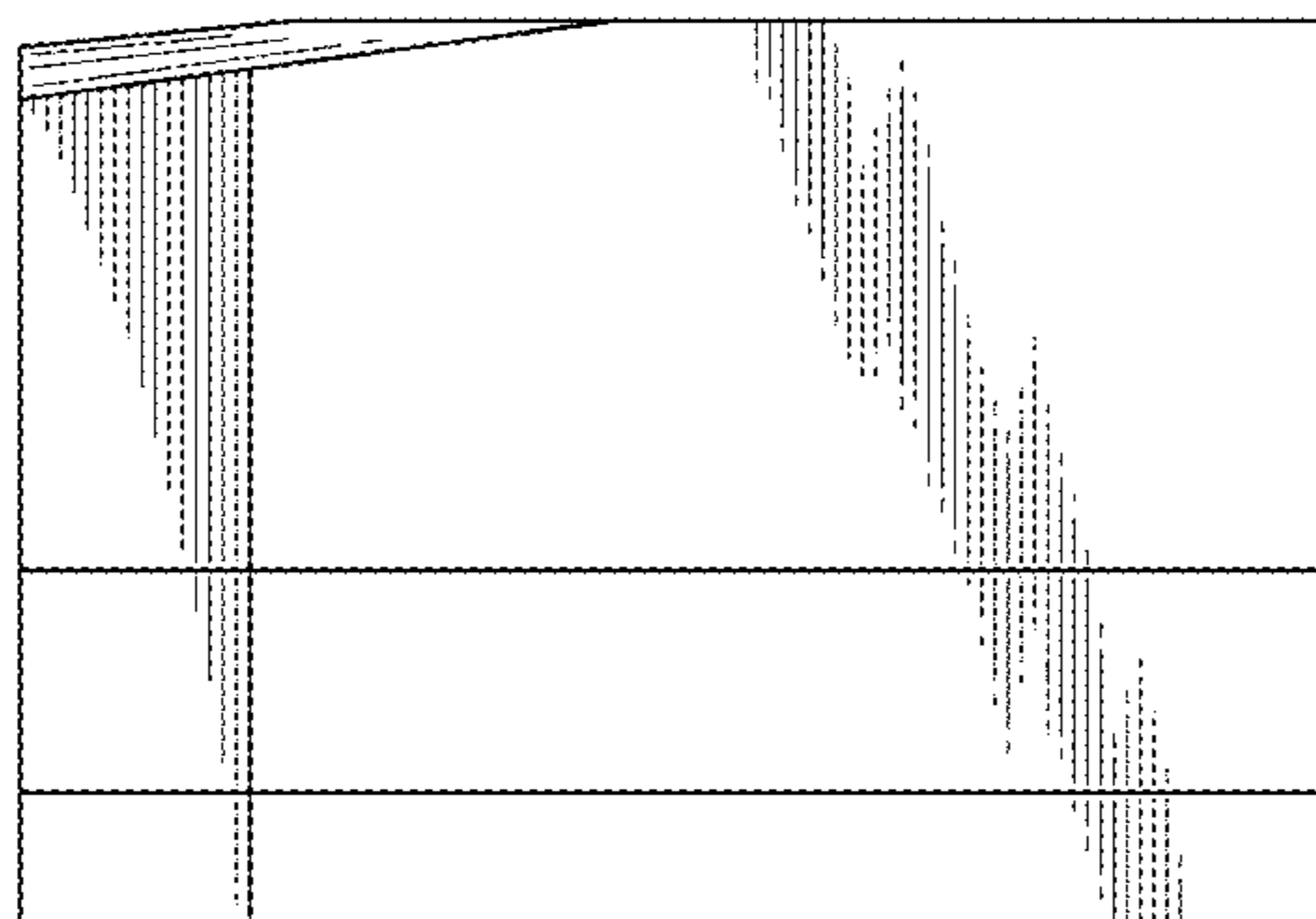


FIG.13

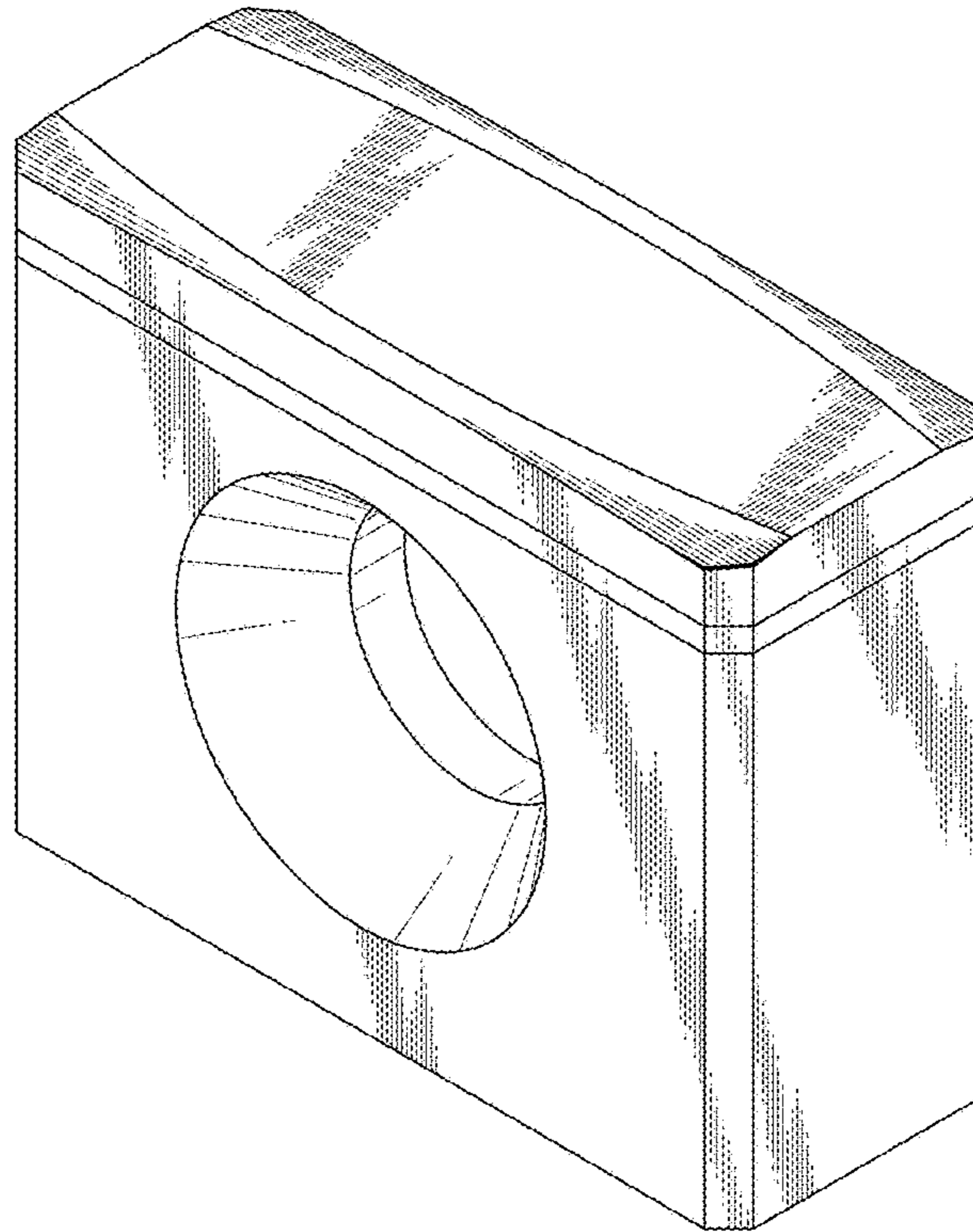


FIG.14

