



US00D810156S

(12) **United States Design Patent**  
**Lin**

(10) **Patent No.:** **US D810,156 S**  
(45) **Date of Patent:** **\*\* Feb. 13, 2018**

(54) **3D PRINTER**

(71) Applicants: **XYZPRINTING, INC.**, New Taipei (TW); **KINPO ELECTRONICS, INC.**, New Taipei (TW)

(72) Inventor: **Yu-Hao Lin**, New Taipei (TW)

(73) Assignees: **XYZPRINTING, INC.**, New Taipei (TW); **KINPO ELECTRONICS, INC.**, New Taipei (TW)

(\*\*) Term: **15 Years**

(21) Appl. No.: **29/586,273**

(22) Filed: **Dec. 1, 2016**

(51) **LOC (11) Cl.** ..... **15-09**

(52) **U.S. Cl.**  
USPC ..... **D15/135**; D15/122; D18/50

(58) **Field of Classification Search**  
USPC ..... D7/323, 331, 363, 665, 668; D8/499;  
D14/420-425; D15/122, 135, 138, 145,  
D15/146; D18/4, 6, 7, 14, 19, 36, 37, 38,  
D18/39, 50, 53, 54, 54.1, 55, 59;  
D19/67, 100, 108; D24/232  
CPC . B29C 67/00; B29C 67/0051; B29C 67/0055;  
B29C 67/0059

See application file for complete search history.

(56) **References Cited**

U.S. PATENT DOCUMENTS

D603,902 S	*	11/2009	Greaves	.....	D19/67
D672,387 S	*	12/2012	Kim	.....	D18/50
D711,463 S	*	8/2014	Costabeber	.....	D14/300
D722,108 S	*	2/2015	Reches	.....	D18/50
D732,587 S	*	6/2015	Hsu	.....	D15/122
D734,814 S	*	7/2015	Yeh	.....	D18/50
D735,267 S	*	7/2015	Chung	.....	D18/50
D757,132 S	*	5/2016	Liu	.....	D15/122
D760,306 S	*	6/2016	Wolf	.....	D15/122
D763,330 S	*	8/2016	Olive	.....	D15/122

D770,545 S	*	11/2016	Olive	.....	D15/122
D771,164 S	*	11/2016	Noorazar	.....	D15/122
D776,727 S	*	1/2017	Wolf	.....	D15/122
D777,228 S	*	1/2017	Chang	.....	D15/122
D777,808 S	*	1/2017	Chang	.....	D15/122
D783,693 S	*	4/2017	Reches	.....	D15/122
D785,085 S	*	4/2017	Lee	.....	D18/55

(Continued)

OTHER PUBLICATIONS

The da Vinci Nano is a full-fledged 3D Printer for \$230, posted on techcrunch.com, posted Jan. 3, 2017, no production date given, [online], [site visited Jul. 27, 2017], Available from Internet, <URL: <https://techcrunch.com/2017/01/03/the-da-vinci-nano-is-a-full-fledged-3d-printer-for-230/>>.\*

(Continued)

*Primary Examiner* — Melanie H Tung

*Assistant Examiner* — Fritzgerald L Butac

(74) *Attorney, Agent, or Firm* — Chun-Ming Shih; HDLS IPR Services

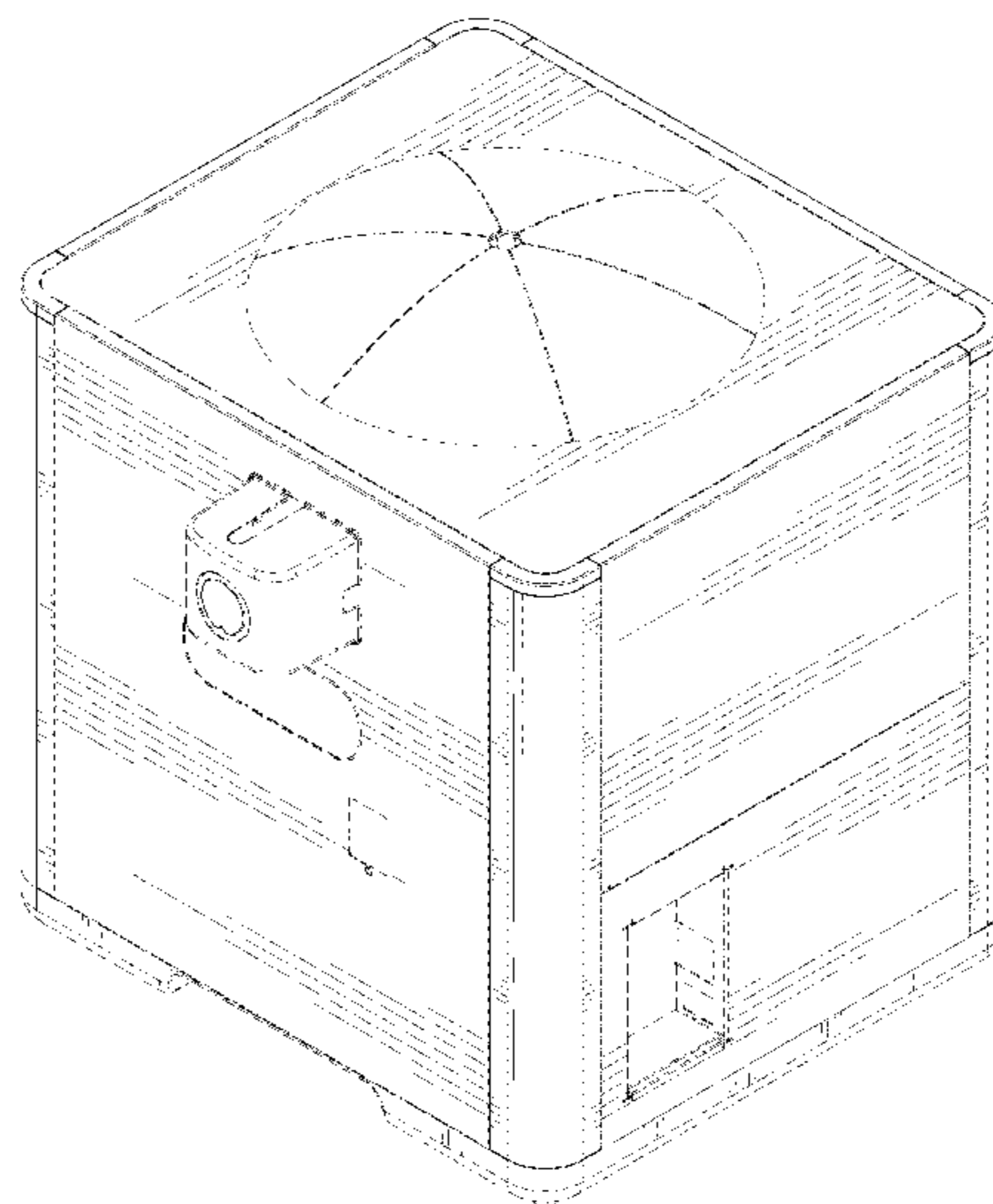
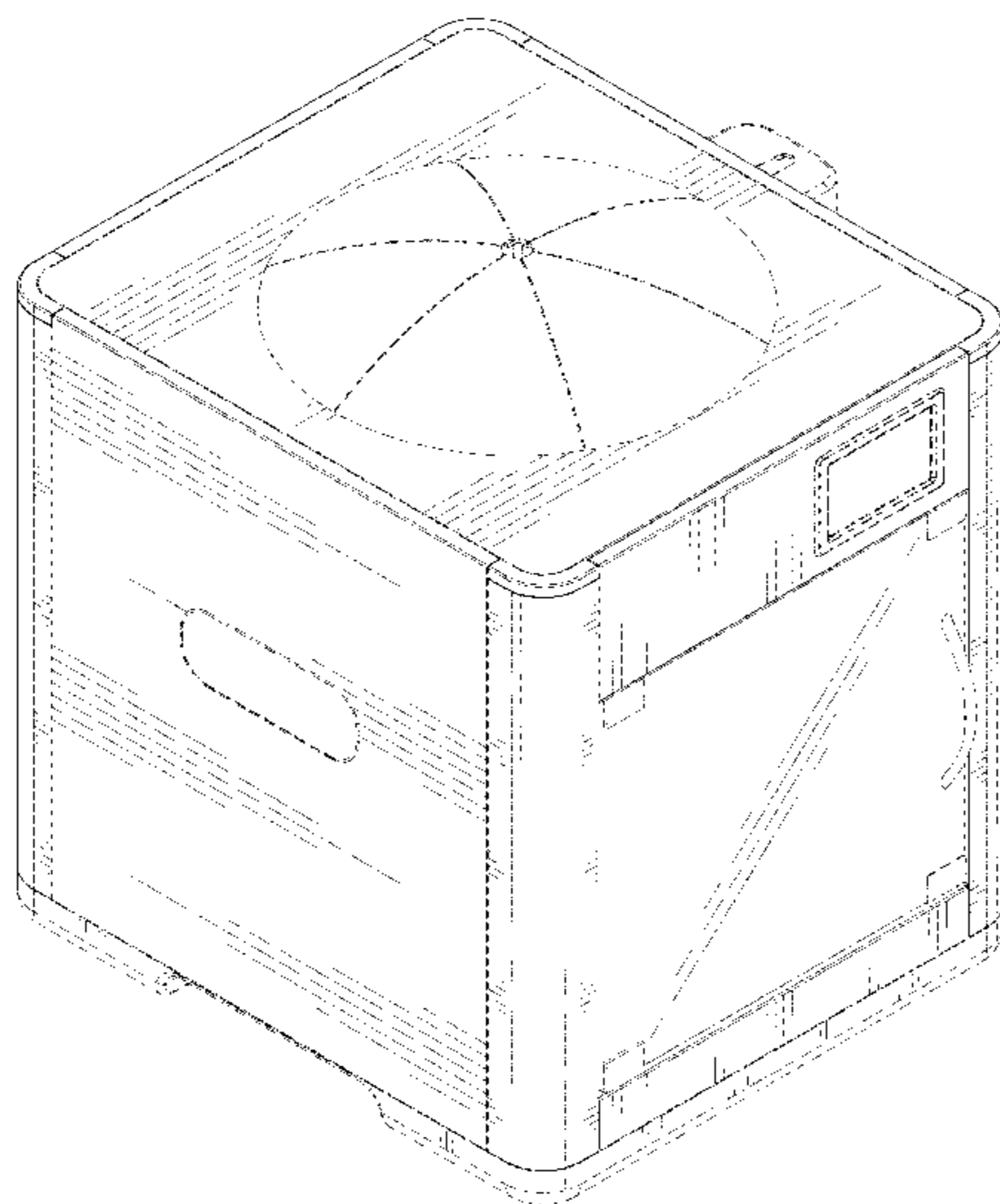
(57) **CLAIM**

The ornamental design for a 3D printer, as shown and described.

**DESCRIPTION**

FIG. 1 is a perspective view of a 3D printer showing my new design;  
FIG. 2 is a front view thereof;  
FIG. 3 is a rear view thereof;  
FIG. 4 is a left side view thereof;  
FIG. 5 is a right side view thereof;  
FIG. 6 is a top view thereof;  
FIG. 7 is a bottom view thereof;  
FIG. 8 is second perspective view thereof; and,  
FIG. 9 is third perspective view showing the 3D printer.  
The broken lines show portions of the 3D printer that form no part of the claimed design.

**1 Claim, 9 Drawing Sheets**



(56)

**References Cited**

U.S. PATENT DOCUMENTS

D786,348 S \* 5/2017 Mita ..... D18/56  
D787,574 S \* 5/2017 Lee ..... D15/122  
D788,843 S \* 6/2017 Lee ..... D18/55  
D792,923 S \* 7/2017 Kim ..... D18/55  
2015/0165677 A1\* 6/2015 Ho ..... B29C 67/0085  
425/136  
2017/0151716 A1\* 6/2017 Lu ..... B29C 67/0088  
2017/0197361 A1\* 7/2017 Stadlmann ..... B29C 67/0062

OTHER PUBLICATIONS

XYZprinting Releases the da Vinci Pro 1.0 3-in-1 3D Printer, Scanner and Laser Engraver All in One, posted on 3dprint.com, posted Apr. 8, 2016, no production date given, [online], [site visited Jul. 27, 2017], Available from Internet, <URL:https://3dprint.com/128727/xyzprinting-da-vinci-pro-3in1/>.\*

XYZprinting parent company Kinpo to increase manufacturing capacity for 3D printers, posted on 3ders.org, posted Jan. 12, 2017, no production date given, [online], [site visited Jul. 27, 2017], Available from Internet, <URL:http://www.3ders.org/articles/20170112-xyzprinting-parent-company-kinpo-to-increase-manufacturing-capacity-for-3d-printers.ht.\*

\* cited by examiner

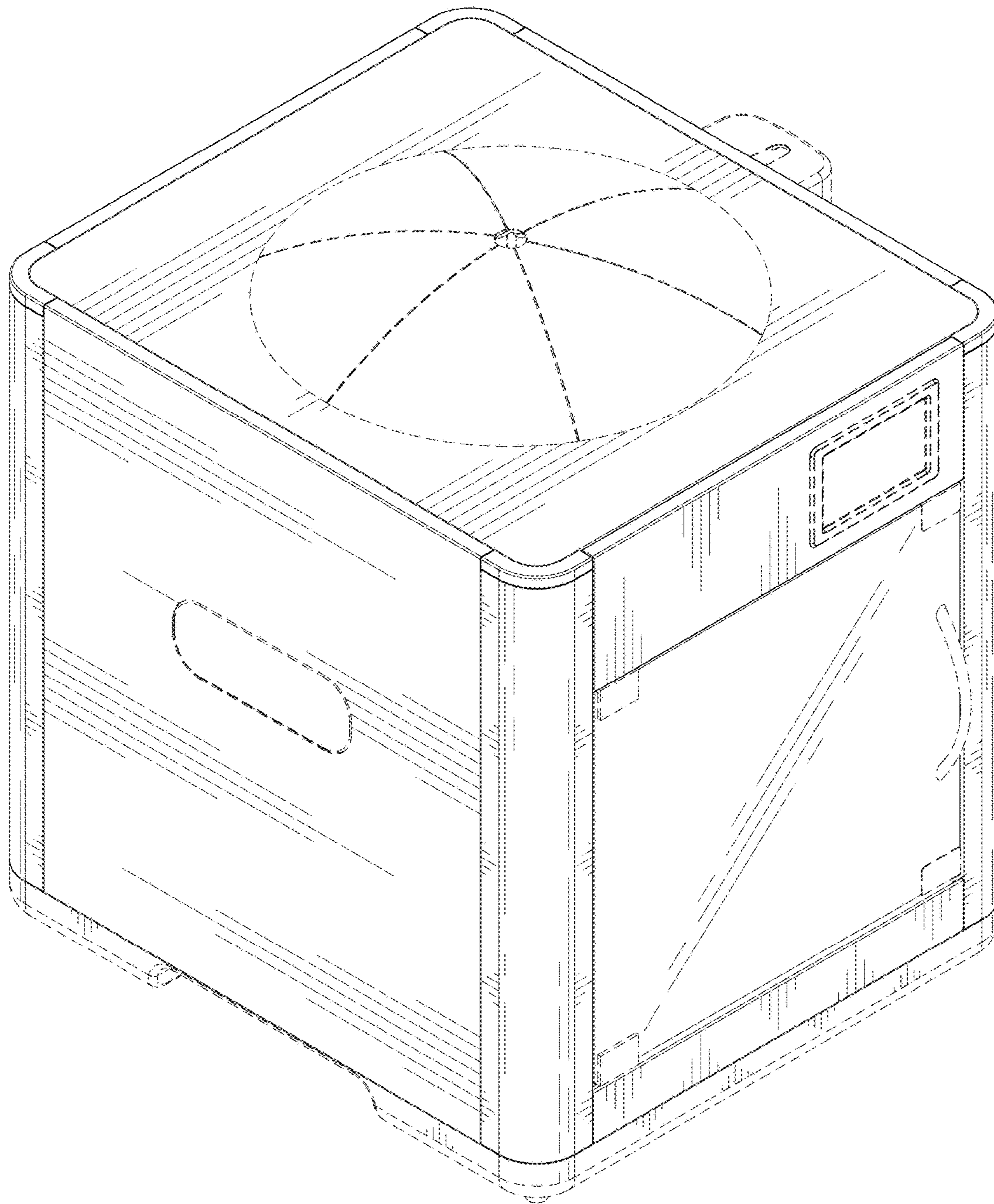


FIG.1



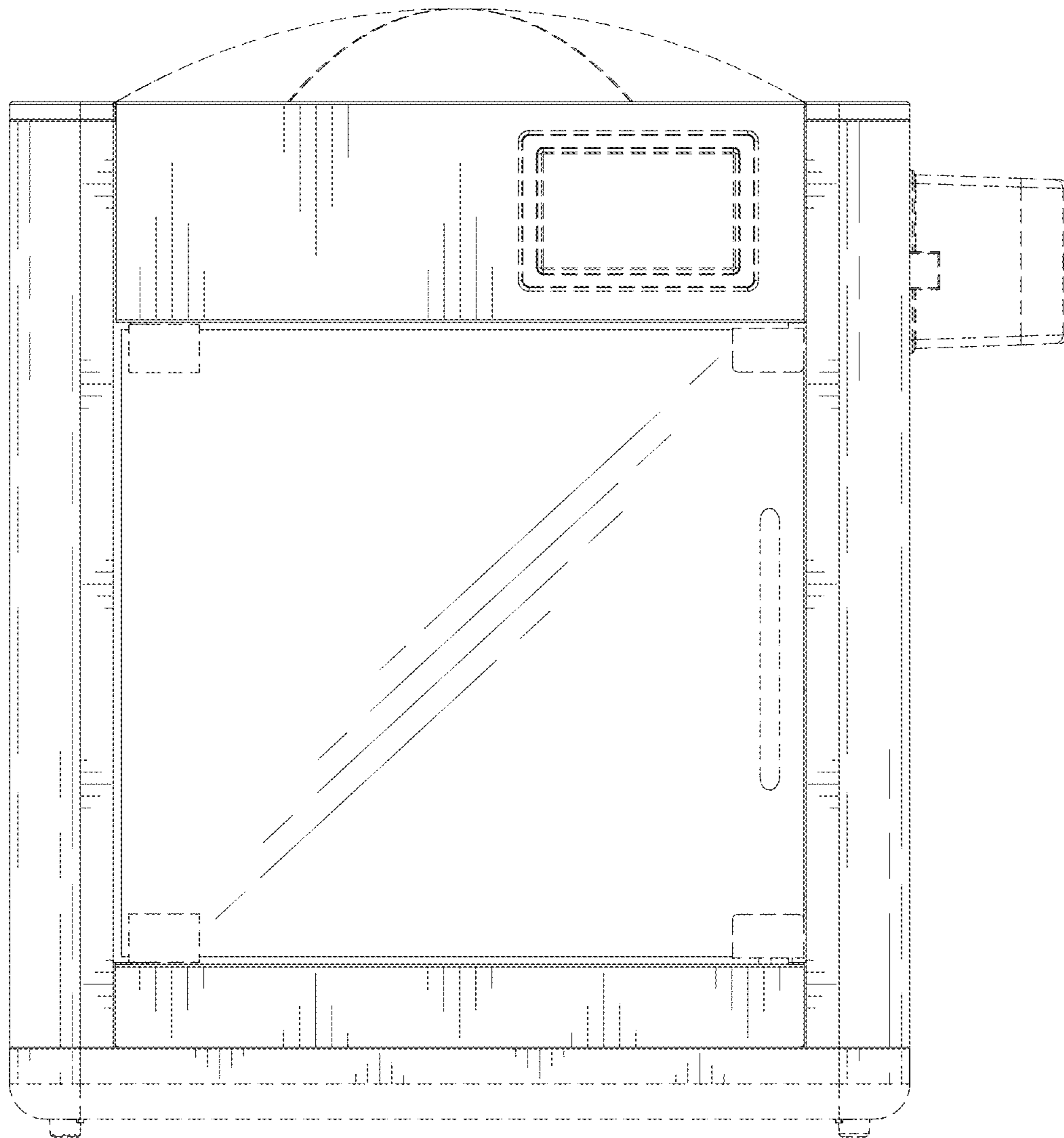


FIG.2

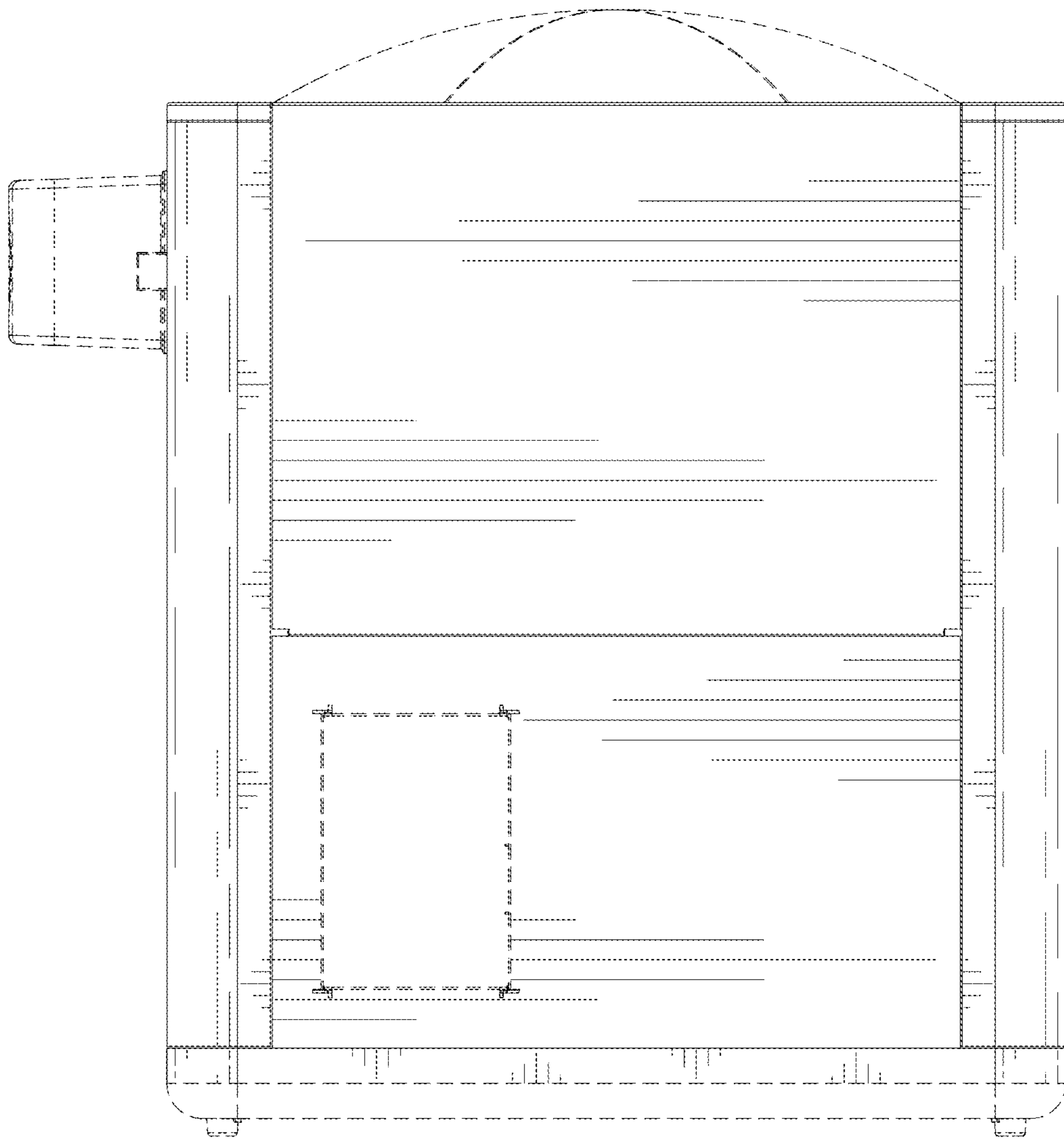


FIG.3

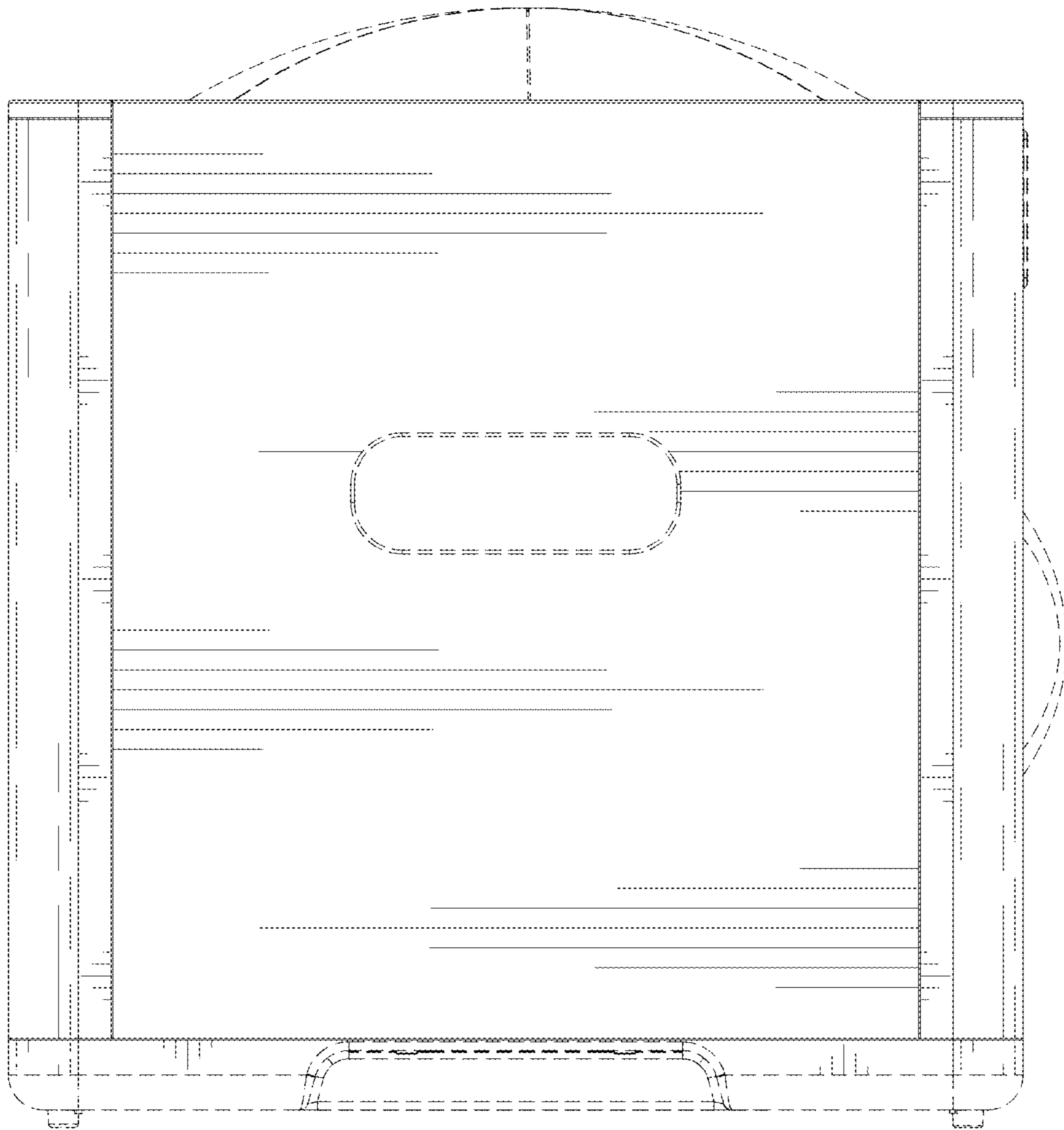


FIG.4

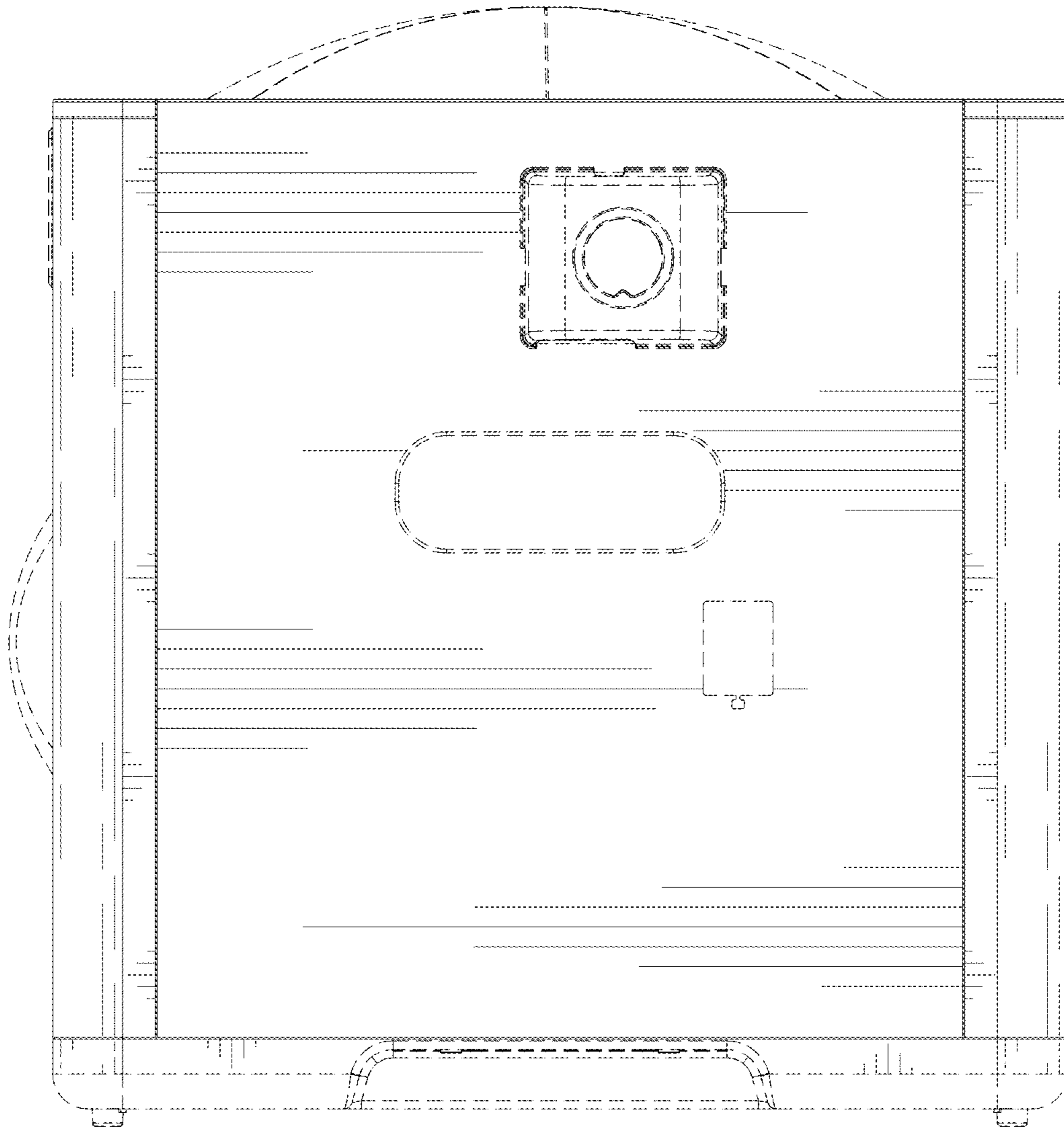


FIG.5

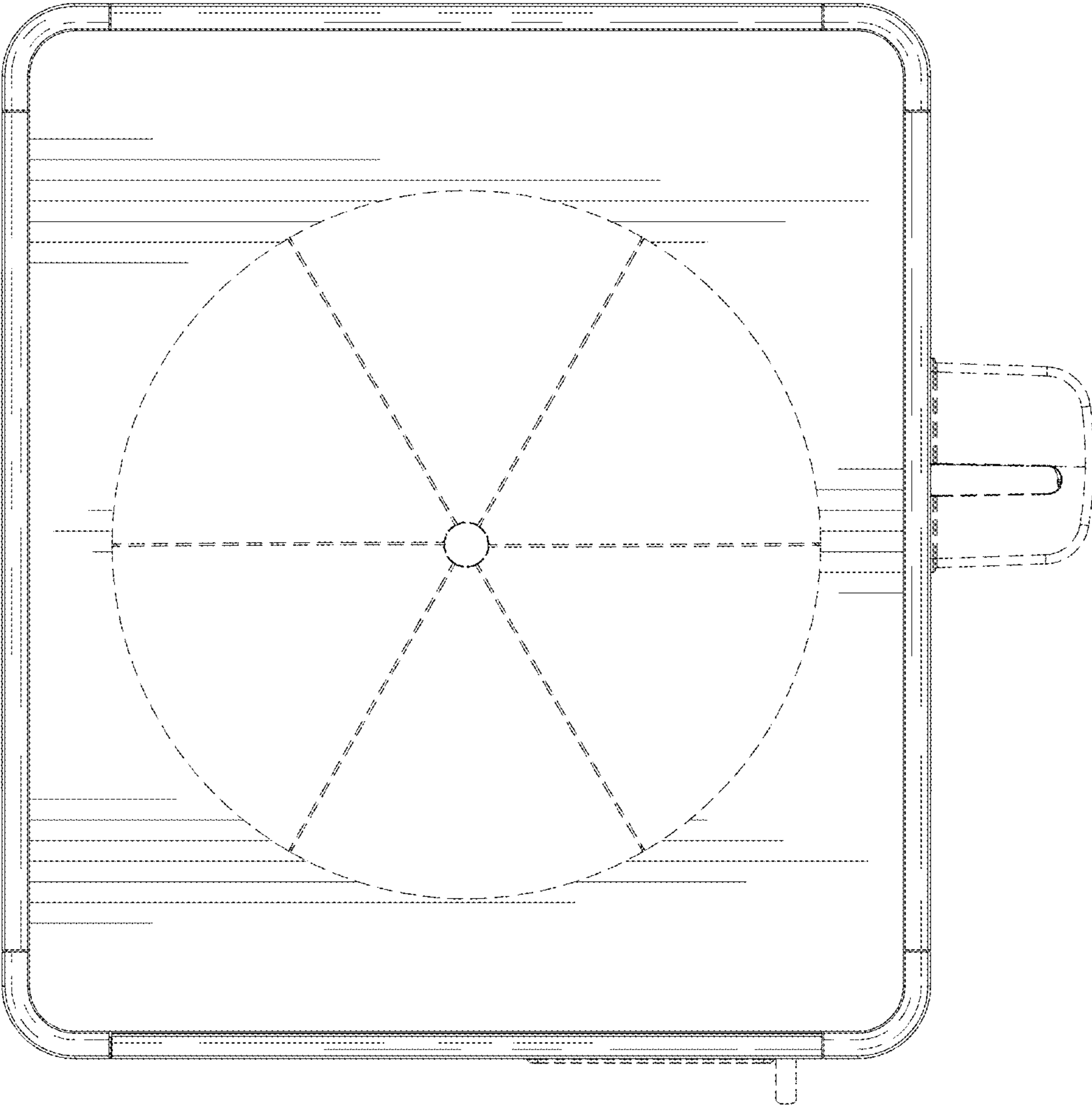


FIG.6



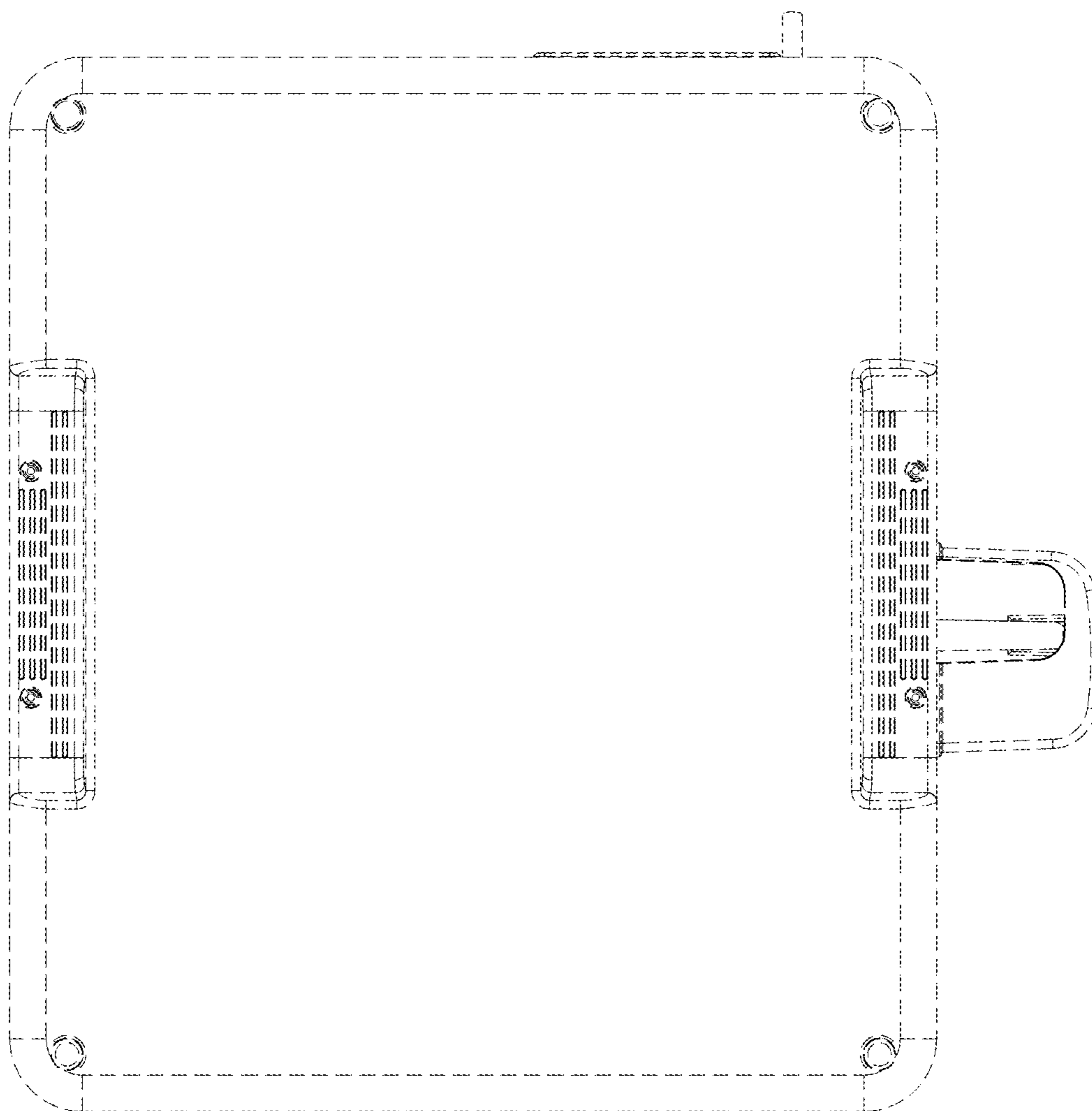


FIG.7

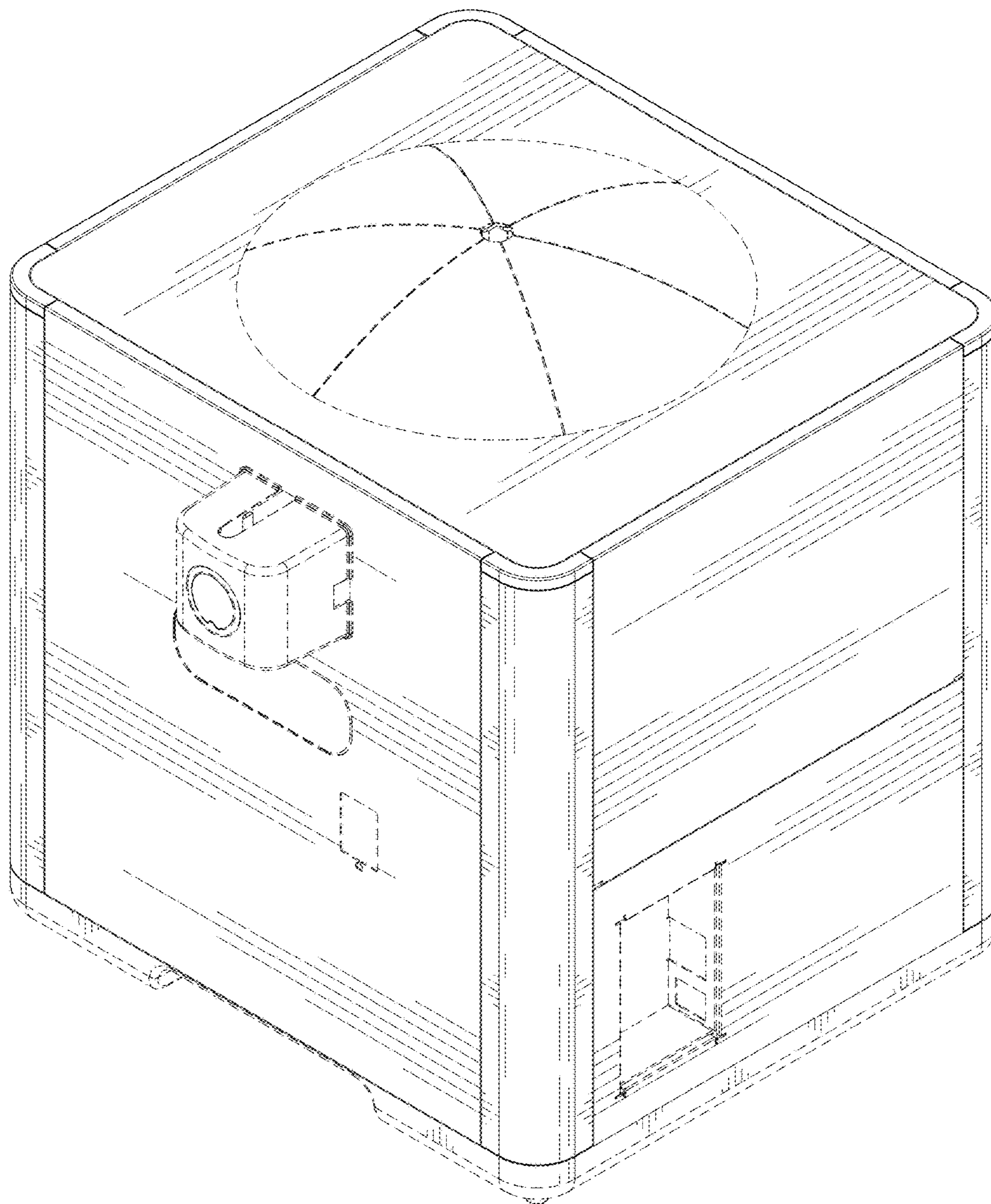


FIG.8

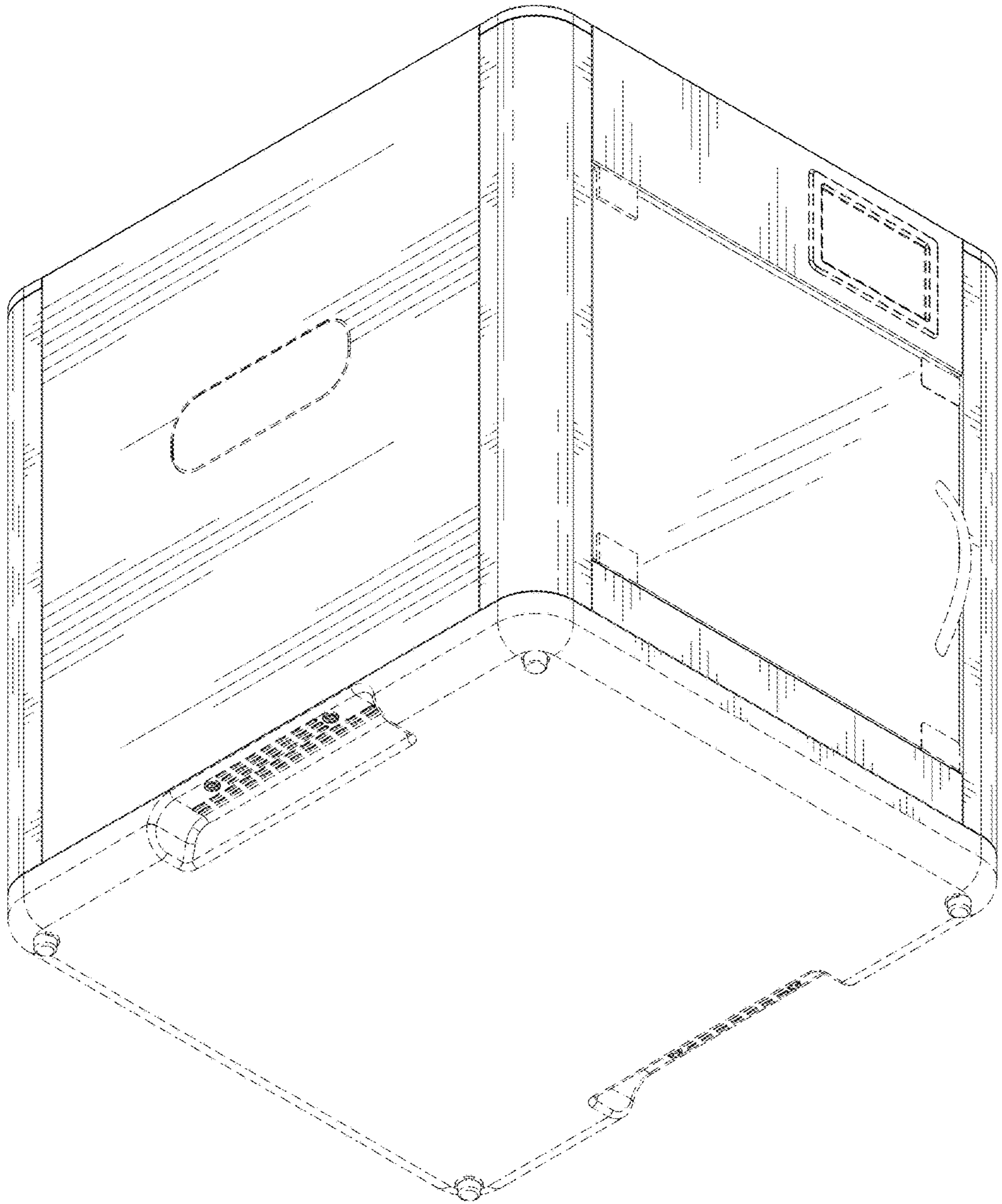


FIG.9