



US00D810153S

(12) **United States Design Patent**
Hume

(10) **Patent No.:** **US D810,153 S**

(45) **Date of Patent:** **** Feb. 13, 2018**

(54) **ICE MOLD**

(71) Applicant: **True Fabrications, Inc.**, Seattle, WA (US)

(72) Inventor: **Ryan William Hume**, Seattle, WA (US)

(73) Assignee: **TRUE FABRICATIONS, INC.**, Seattle, WA (US)

(**) Term: **15 Years**

(21) Appl. No.: **29/586,190**

(22) Filed: **Dec. 1, 2016**

(51) **LOC (11) Cl.** **15-07**

(52) **U.S. Cl.**
USPC **D15/90**

(58) **Field of Classification Search**

USPC D15/90; D9/680; D1/106-115; D7/672-677

CPC F25B 2600/112; F25B 21/02; F25B 2700/02; F25B 21/04; F25B 2321/0251; F25B 25/005; F25B 2321/021; F25B 2321/0212; F25B 2321/025; F25B 2700/2107; F25B 27/00; F25B 41/043; F25B 5/02

See application file for complete search history.

(56) **References Cited**

U.S. PATENT DOCUMENTS

D48,903 S * 4/1916 Kotlitzki D7/675
D162,798 S * 4/1951 Ebbott D15/136

D263,398 S * 3/1982 Tiller D15/90
D658,216 S * 4/2012 Sorensen D15/90
D665,430 S * 8/2012 Sorensen D15/90
D740,622 S * 10/2015 Tandon D7/675

* cited by examiner

Primary Examiner — Ian Simmons

Assistant Examiner — Khawaja Anwar

(74) *Attorney, Agent, or Firm* — Vicky Kaur Bajwa

(57) **CLAIM**

The ornamental design for an ice mold, as shown and described.

DESCRIPTION

FIG. 1 is a front perspective view of an ice mold showing my new design;

FIG. 2 is a rear elevation view of the ice mold of FIG. 1; FIG. 3 is a left side elevation view of the ice mold of FIG. 1;

FIG. 4 is a right side elevation view of the ice mold of FIG. 1;

FIG. 5 is a top view of the ice mold of FIG. 1;

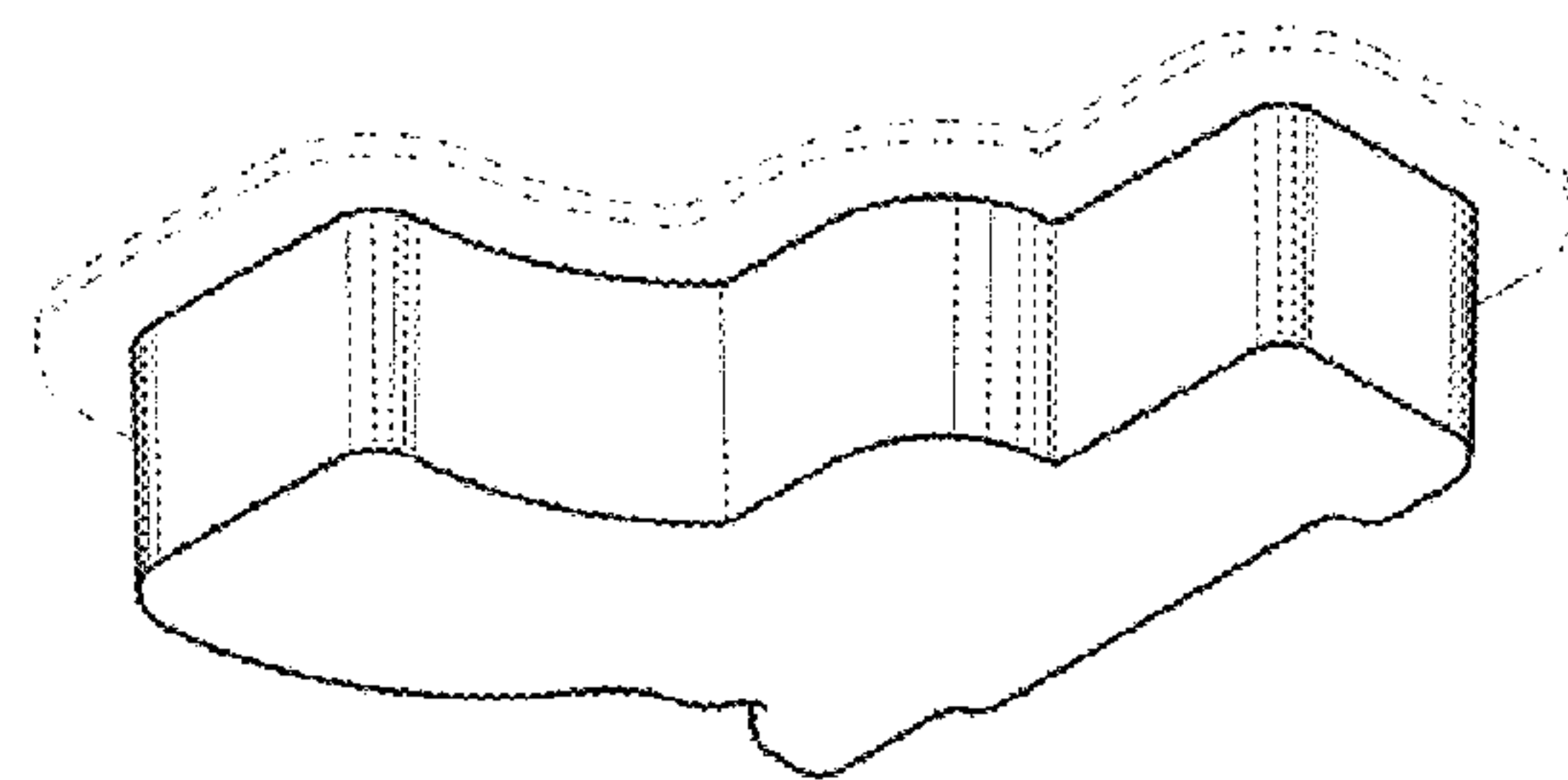
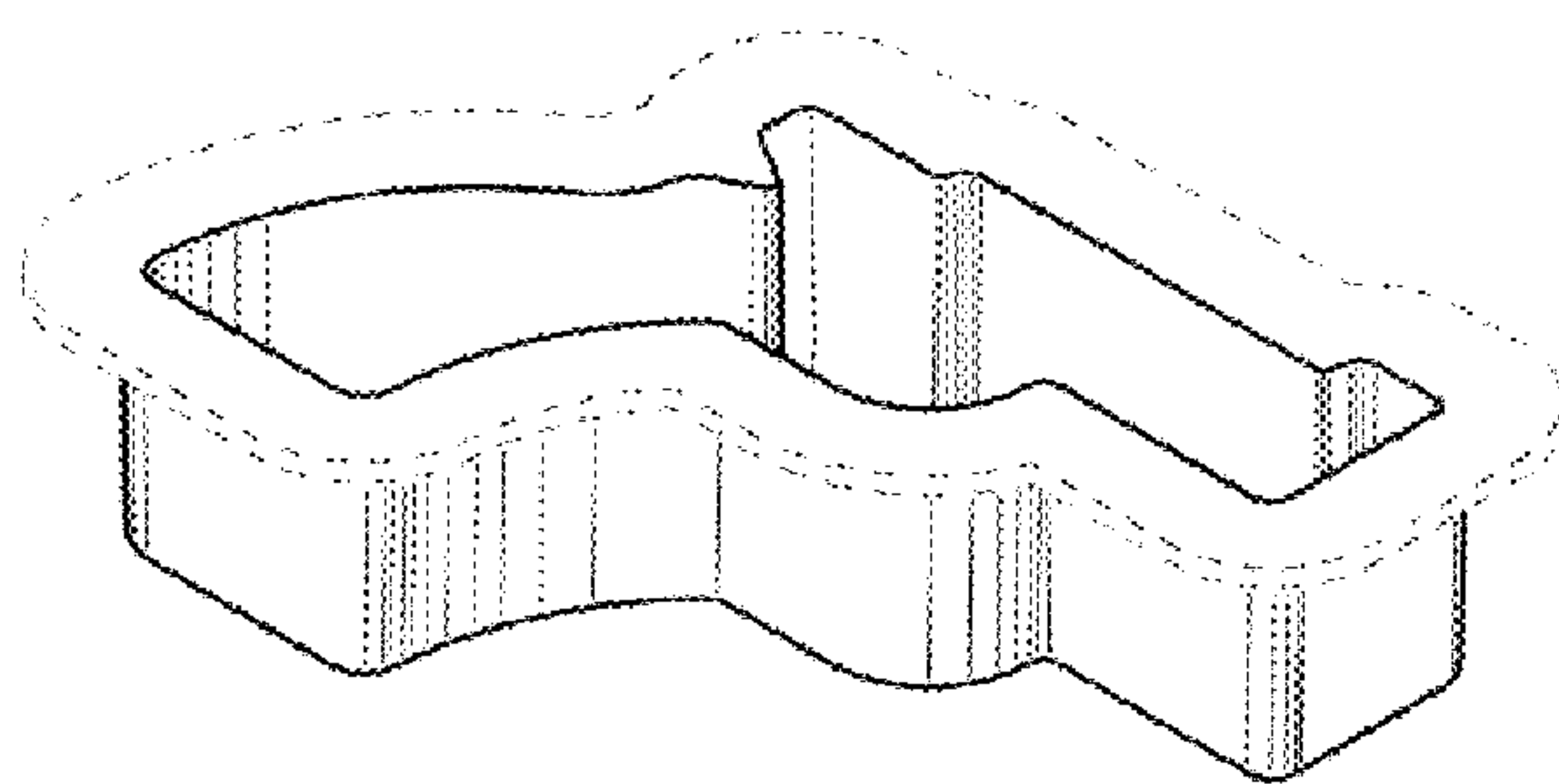
FIG. 6 is a bottom view of the ice mold of FIG. 1;

FIG. 7 is a top perspective view of the ice mold of FIG. 1; and,

FIG. 8 is a bottom perspective view of the ice mold of FIG. 1.

The broken lines shown in the drawings depict portions of the ice mold that form no part of the claimed design.

1 Claim, 3 Drawing Sheets



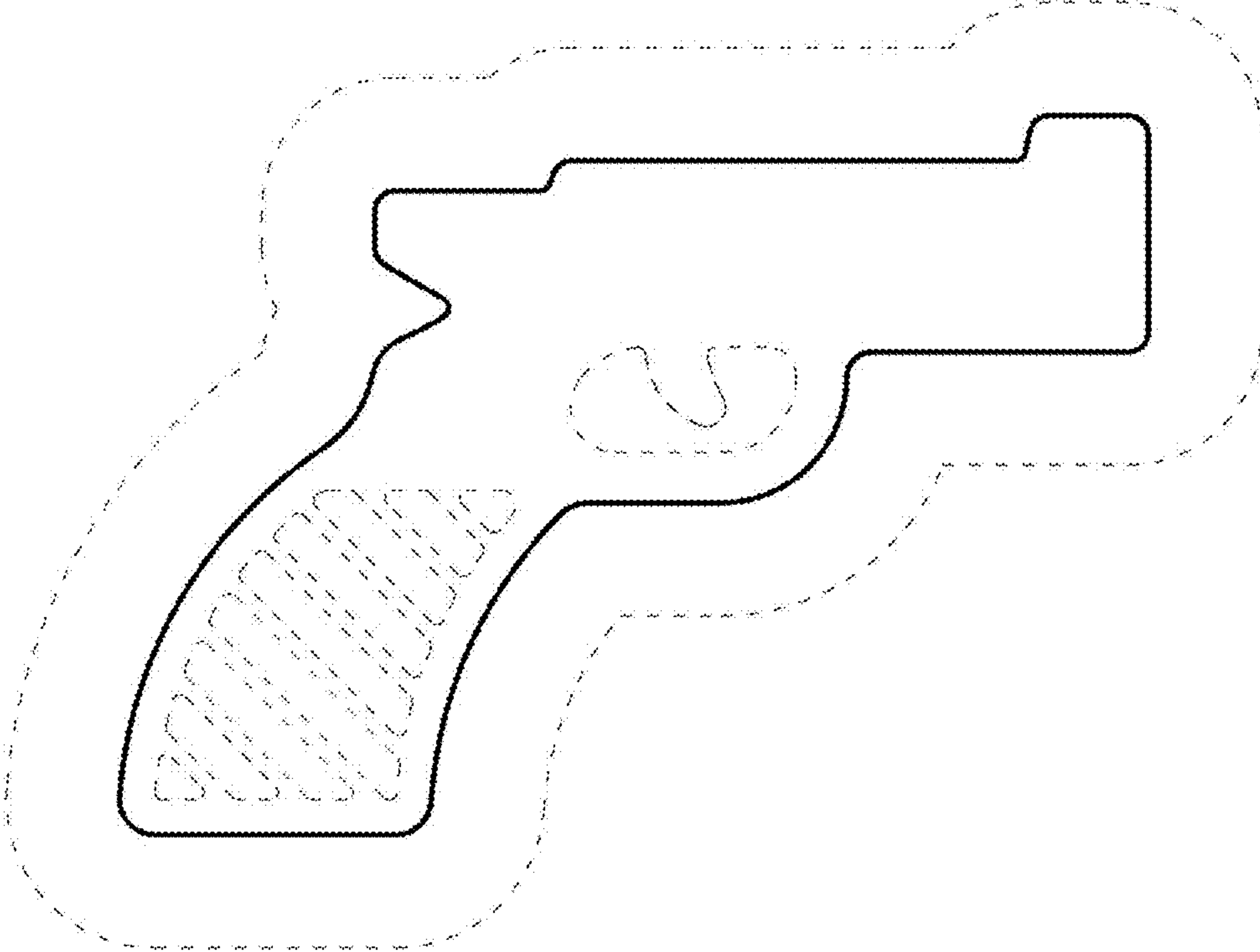


FIG. 1

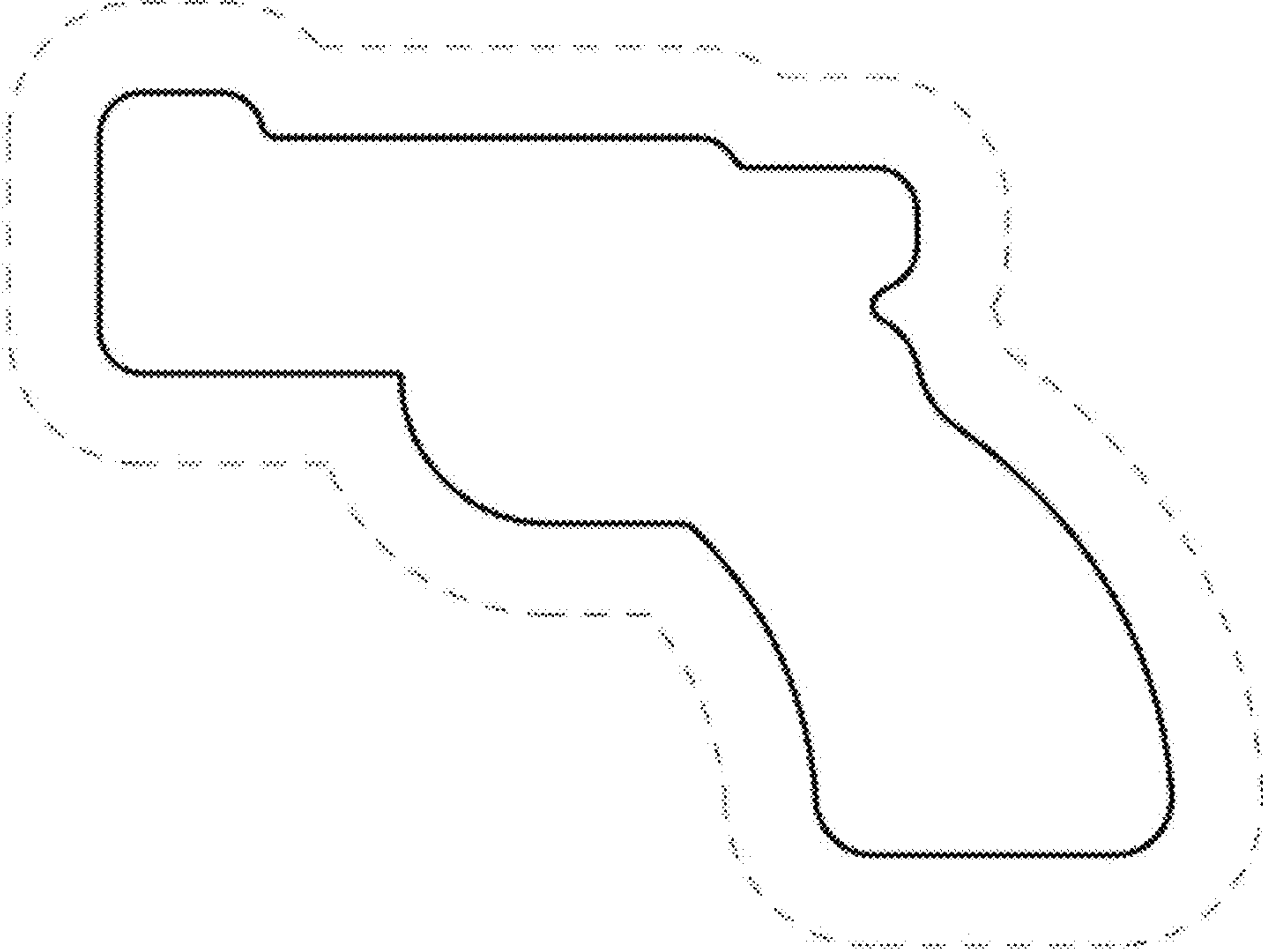


FIG. 2

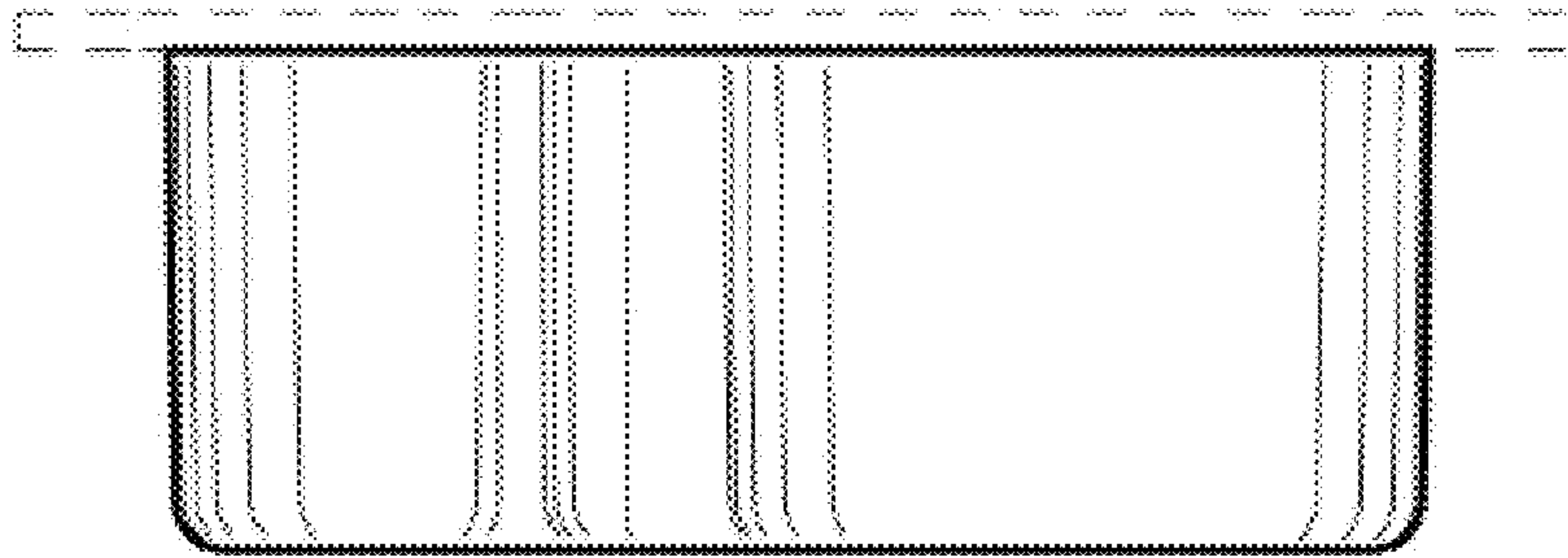


FIG. 3

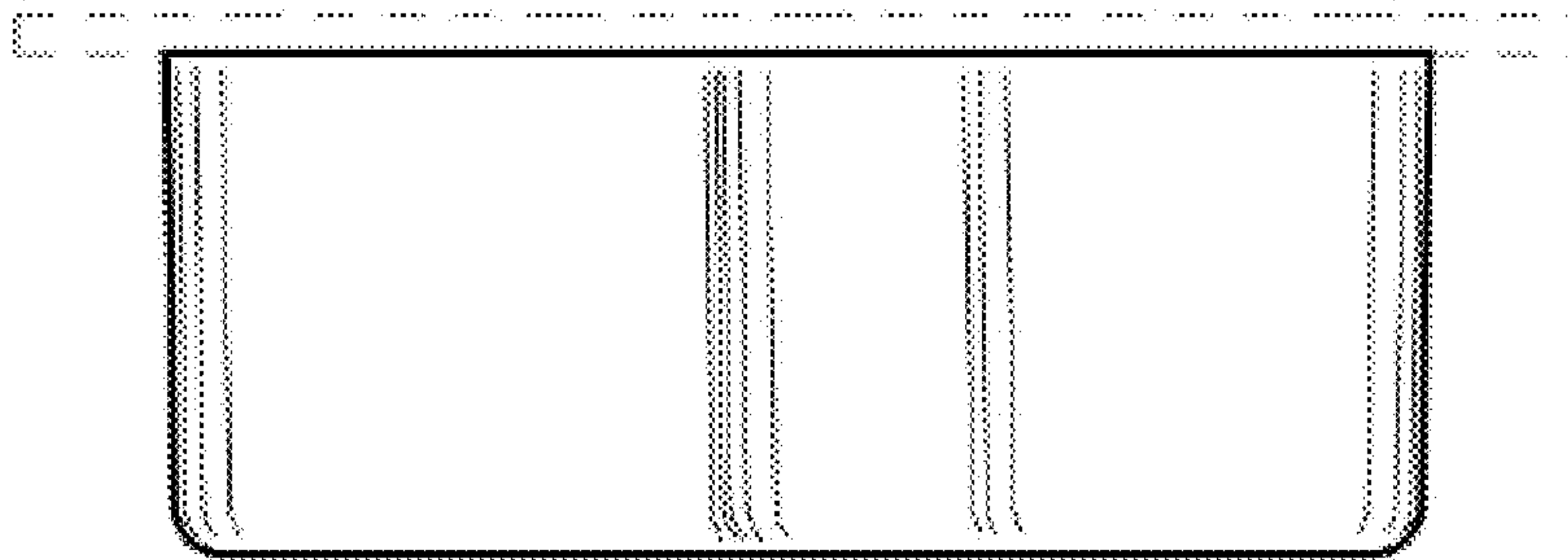


FIG. 4

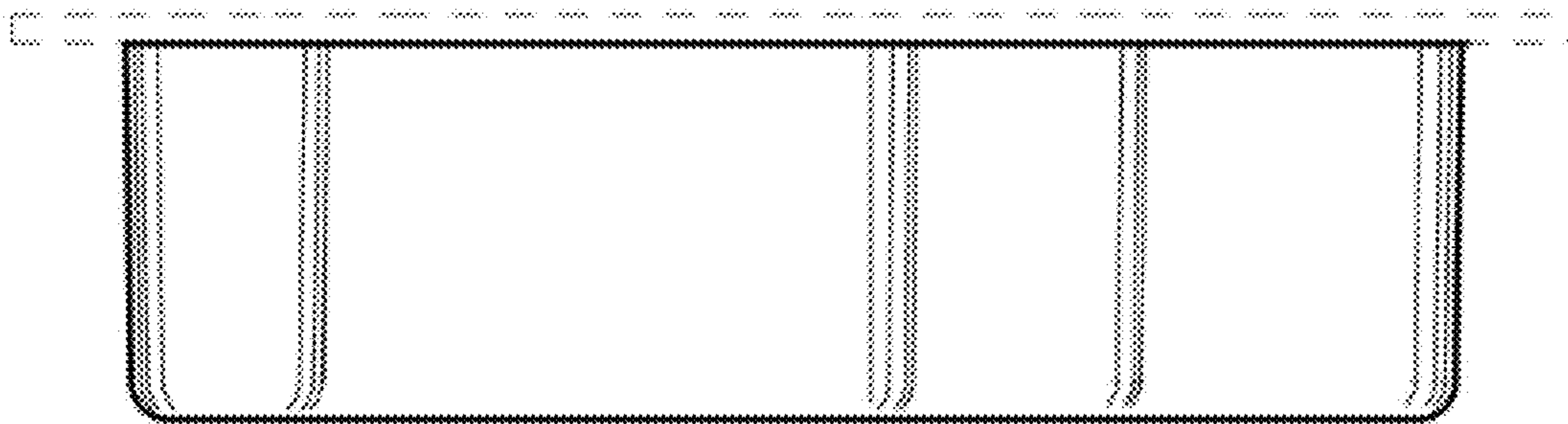


FIG. 5

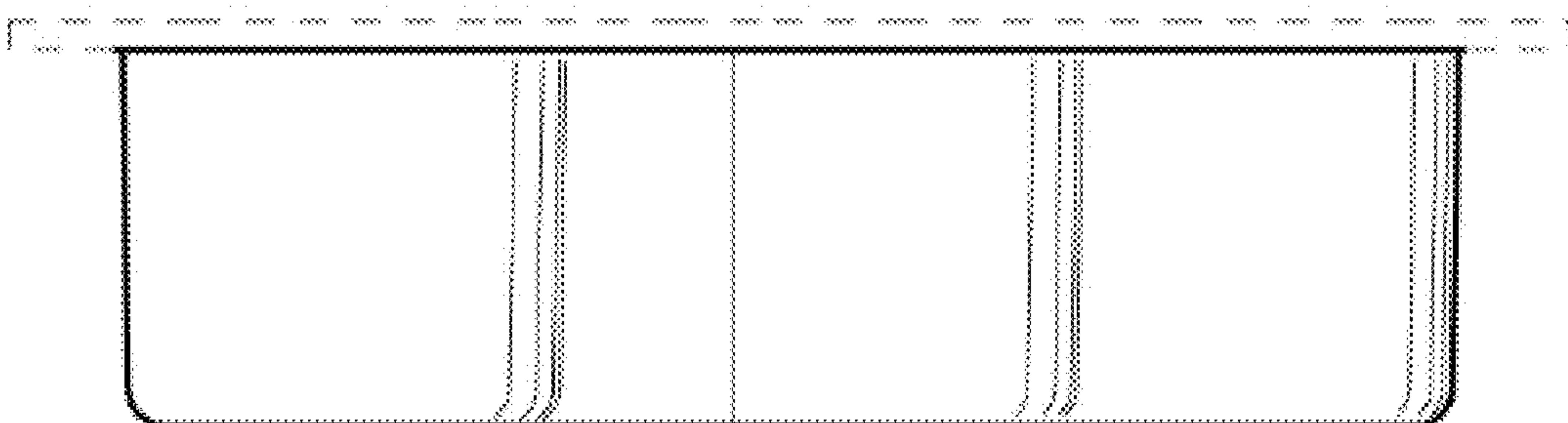


FIG. 6

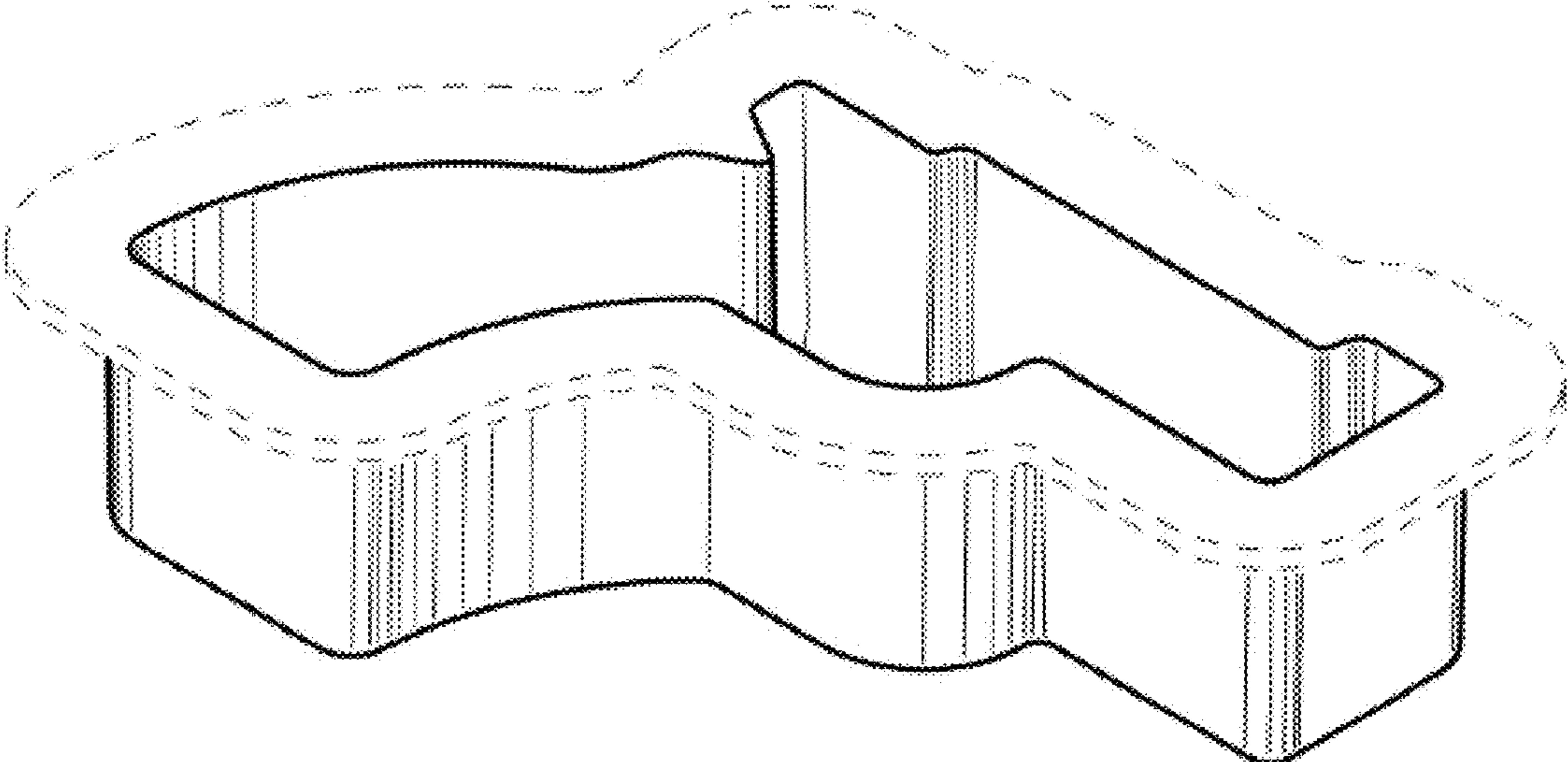


FIG. 7

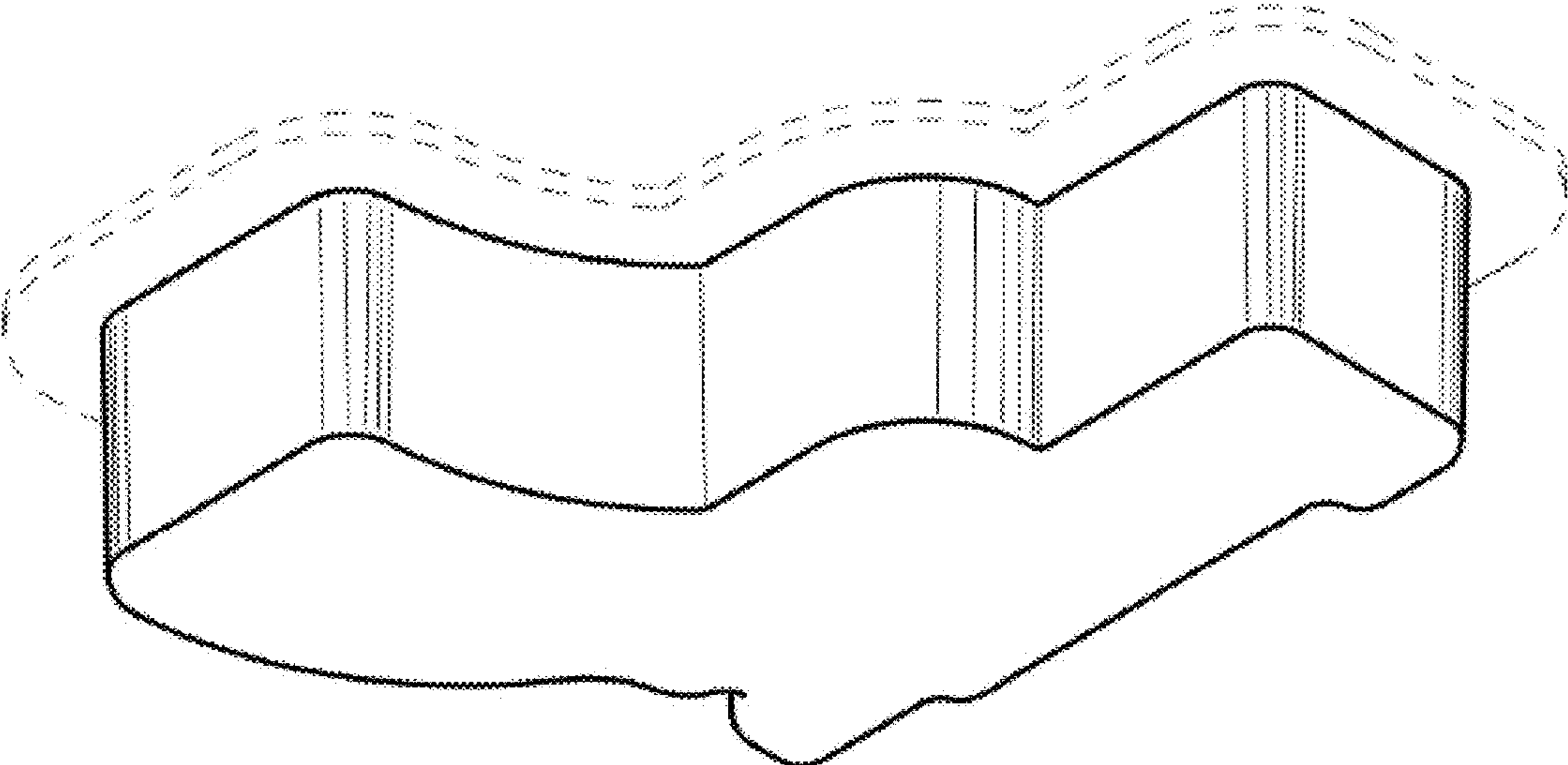


FIG. 8