



US00D810149S

(12) **United States Design Patent**
Linde et al.

(10) **Patent No.:** **US D810,149 S**
(45) **Date of Patent:** **** Feb. 13, 2018**

- (54) **SLAT FOR AN AGRICULTURAL COMBINE**
- (71) Applicant: **CNH Industrial America, LLC**, New Holland, PA (US)
- (72) Inventors: **Cooper Linde**, Lancaster, PA (US); **Cale Boriack**, Lititz, PA (US); **Wayne Flickinger**, Oxford, PA (US)
- (73) Assignee: **CNH Industrial America LLC**, New Holland, PA (US)
- (**) Term: **15 Years**
- (21) Appl. No.: **29/587,957**
- (22) Filed: **Dec. 16, 2016**
- (51) **LOC (11) Cl.** **15-03**
- (52) **U.S. Cl.**
USPC **D15/28**
- (58) **Field of Classification Search**
USPC D15/28, 17; D34/28, 29
CPC A01D 41/10; A01D 41/14; A01D 61/04; A01D 61/008; B65G 19/10; B65G 19/22; B65G 19/00; A01F 12/00; A01F 12/10; B60P 1/006; B60P 1/36; B65H 5/02
See application file for complete search history.

- 3,967,719 A * 7/1976 Kloefkorn A01D 61/008
198/550.12
- D258,500 S * 3/1981 Kloefkorn D34/29
- 5,478,277 A * 12/1995 Kloefkorn A01D 61/008
460/114
- 6,554,129 B2 * 4/2003 Straight B65G 17/08
198/698
- 7,260,967 B2 8/2007 Gryspeerdt
- D553,824 S * 10/2007 Rijkssen D34/29
- 7,473,168 B2 1/2009 Day et al.
- 7,597,191 B2 * 10/2009 Eisenman B60P 1/36
198/728
- D617,521 S * 6/2010 Swinderman D25/121
- D660,544 S * 5/2012 Onayama D25/119
- 9,717,182 B2 * 8/2017 Rittershofer A01F 12/10
- 2004/0250523 A1 12/2004 Schultz
- 2007/0072660 A1 * 3/2007 Day A01D 61/04
460/114
- 2007/0197272 A1 * 8/2007 Ramp A01F 12/10
460/16

* cited by examiner

Primary Examiner — Mark Goodwin

(57) **CLAIM**

The ornamental design for a slat for an agricultural combine, as shown and described.

DESCRIPTION

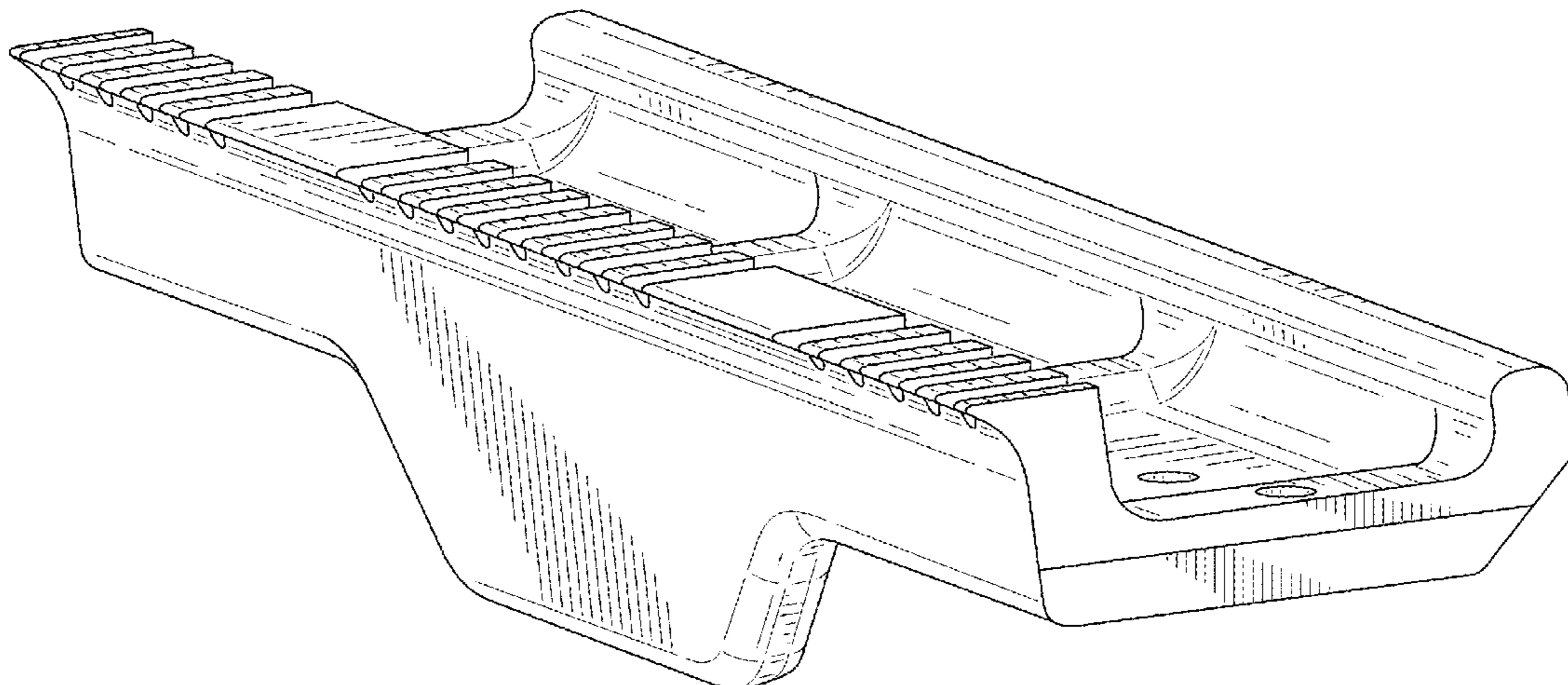
FIG. 1 is a front perspective view of a slat for an agricultural combine according to an aspect of the present invention. FIG. 2 is a front view thereof. FIG. 3 is a rear view thereof. FIG. 4 is a top view thereof. FIG. 5 is a bottom view thereof. FIG. 6 is a first end view thereof; and, FIG. 7 is a second end view thereof. The surface shading and broken lines shown in FIGS. 1-7 represent portions of the slat for an agricultural combine that form no part of the claimed design.

1 Claim, 4 Drawing Sheets

(56) **References Cited**

U.S. PATENT DOCUMENTS

- 2,571,955 A * 10/1951 Shields B65H 5/028
198/731
- 3,318,441 A * 5/1967 Keen A01K 31/04
198/731
- D211,407 S * 6/1968 Flaith D15/28
- D211,408 S * 6/1968 Flaith D15/28
- 3,669,247 A * 6/1972 Pulver B65G 17/066
198/840
- 3,780,851 A * 12/1973 Bichel A01D 61/04
198/730



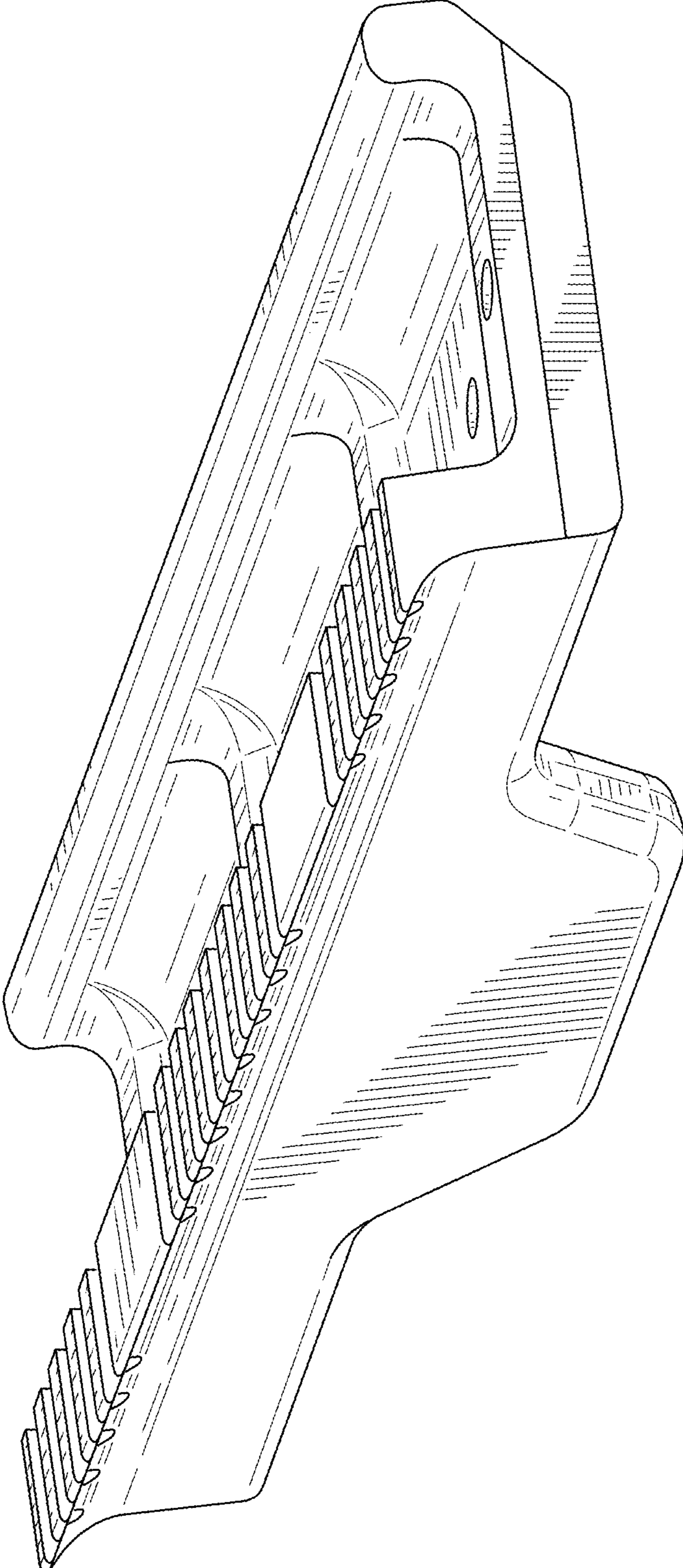


FIG. 1

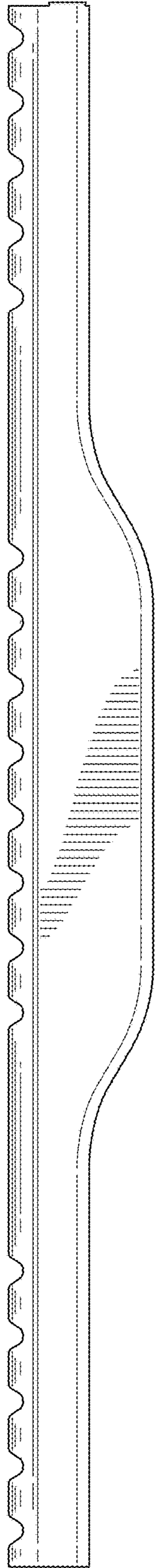


FIG. 2

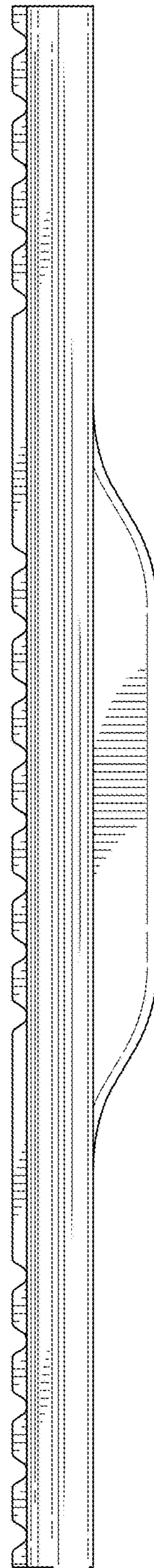


FIG. 3

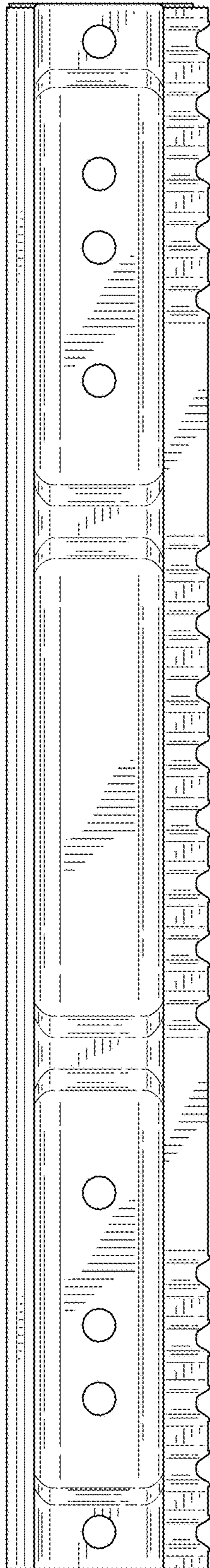


FIG. 4

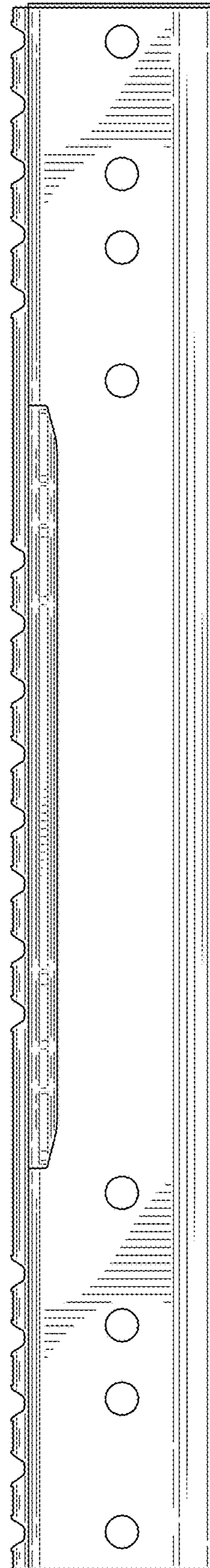


FIG. 5

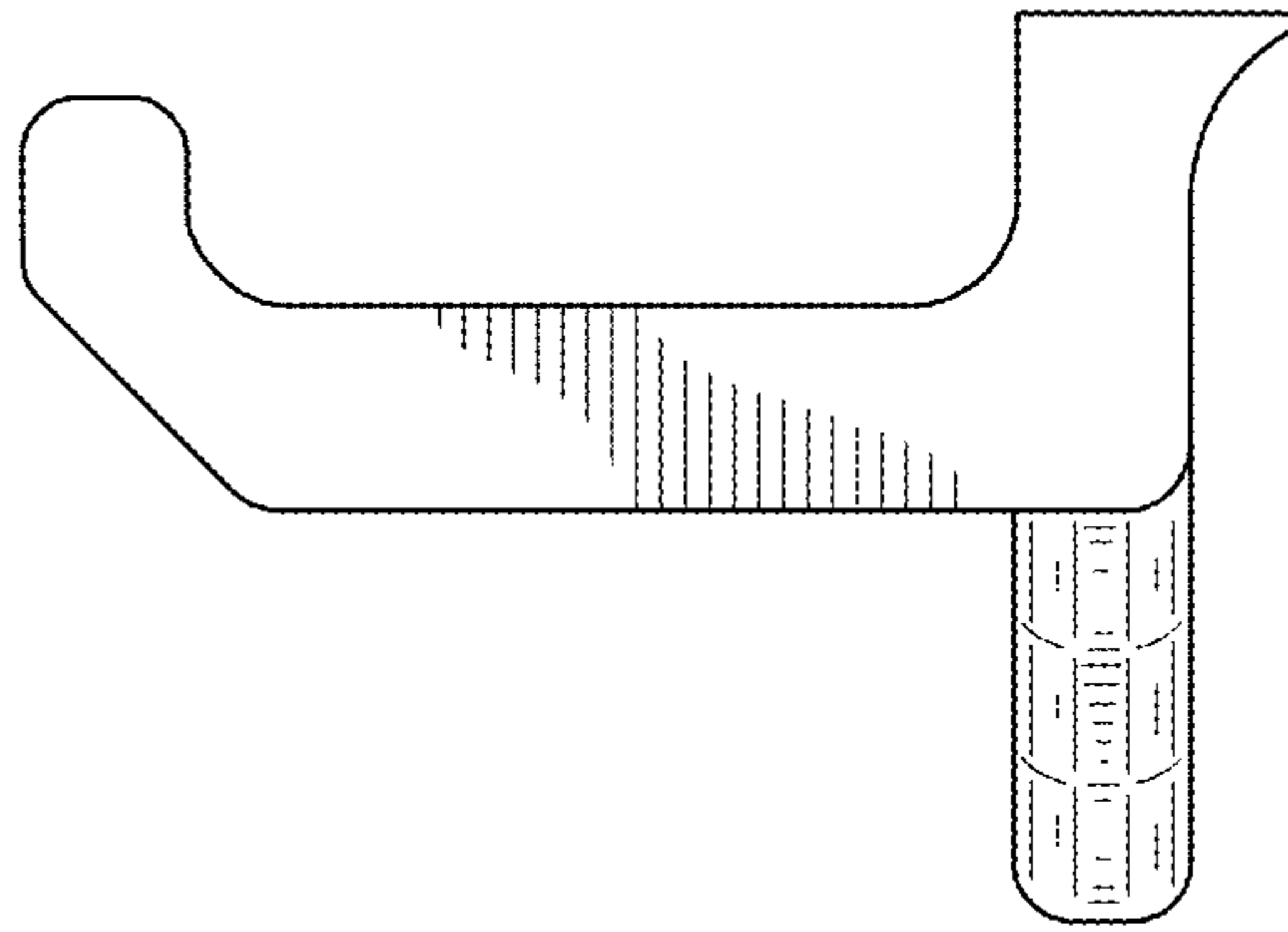


FIG. 6

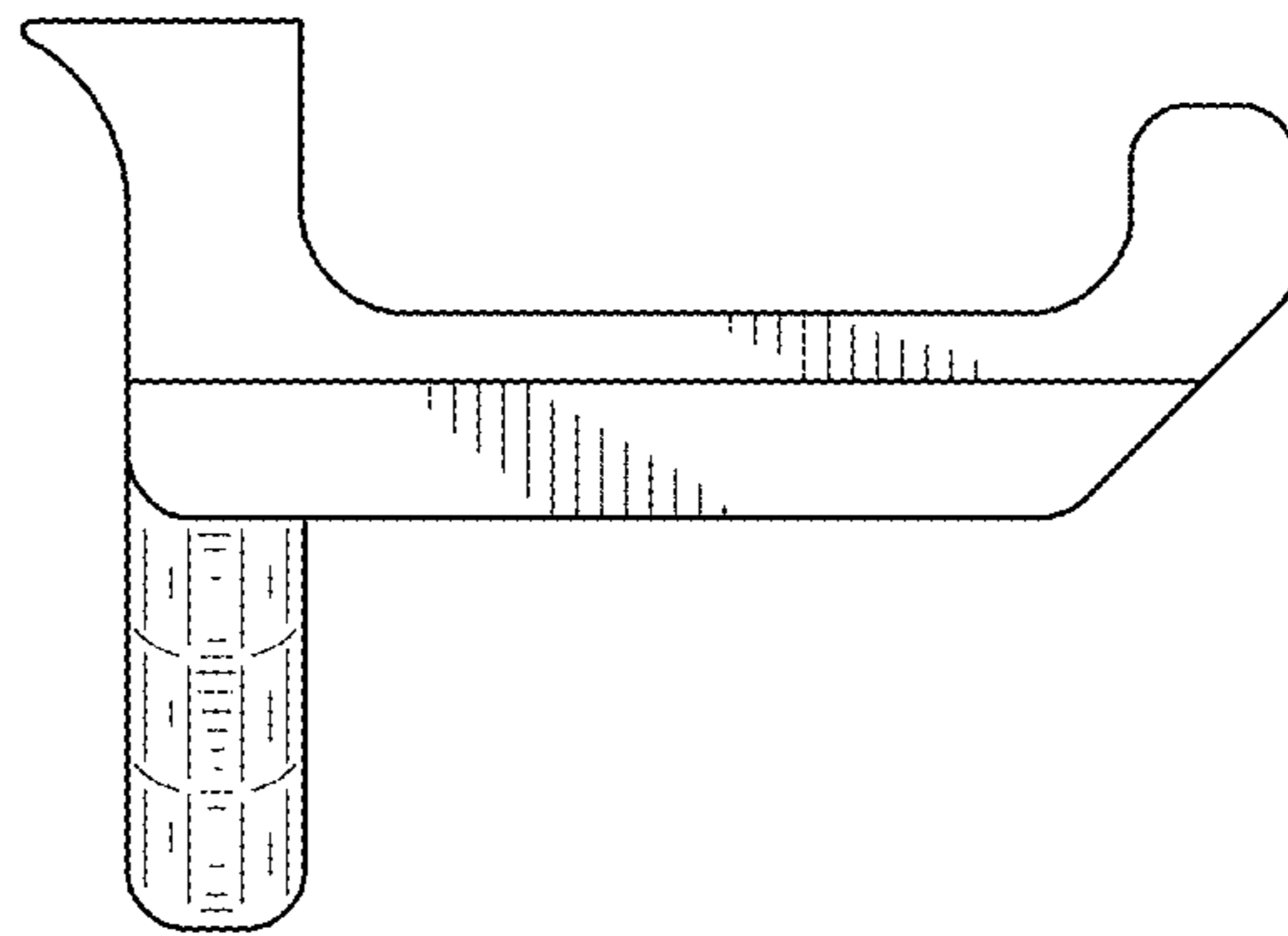


FIG. 7