



US00D810148S

(12) **United States Design Patent**
Loew et al.

(10) **Patent No.:** **US D810,148 S**
(45) **Date of Patent:** **** Feb. 13, 2018**

- (54) **ROLL CAGE**
- (71) Applicant: **BOMAG GmbH**, Boppard (DE)
- (72) Inventors: **Roland Loew**, Klein-Winternheim (DE); **Christian Berg**, Völkenroth (DE); **Thomas Klein**, Wehr (DE); **Tobias Schönberg**, Oberelbert (DE)
- (73) Assignee: **BOMAG GmbH**, Boppard (DE)
- (**) Term: **15 Years**
- (21) Appl. No.: **29/587,352**
- (22) Filed: **Dec. 13, 2016**
- (30) **Foreign Application Priority Data**
Jun. 13, 2016 (EM) 003188713-0013
- (51) **LOC (11) Cl.** **15-03**
- (52) **U.S. Cl.**
USPC **D15/28**; D12/222
- (58) **Field of Classification Search**
USPC D15/28, 17, 33; D12/222, 14, 223, 86, D12/400, 401, 404, 406, 412, 414, 93, D12/101
CPC ... B60R 27/00; B60J 1/06; B60N 2/24; B60N 2/3011; B60N 2/305; B60N 2/3075; B60N 2/36; B62D 33/02; B62D 33/0273; B62D 33/037
See application file for complete search history.

- D621,328 S * 8/2010 Sistare D12/222
- D654,844 S * 2/2012 Pinto D12/222
- D655,236 S * 3/2012 Sanschagrín D12/222
- D758,281 S * 6/2016 Galloway D12/222
- D761,713 S * 7/2016 Hensley D12/222
- D766,157 S * 9/2016 Reynolds D12/222
- D783,502 S * 4/2017 Hensley D12/222
- D783,503 S * 4/2017 Hensley D12/222

* cited by examiner

Primary Examiner — Mark Goodwin

(74) *Attorney, Agent, or Firm* — Wood Herron & Evans LLP

(57) **CLAIM**

The ornamental design for a roll cage, as shown and described.

DESCRIPTION

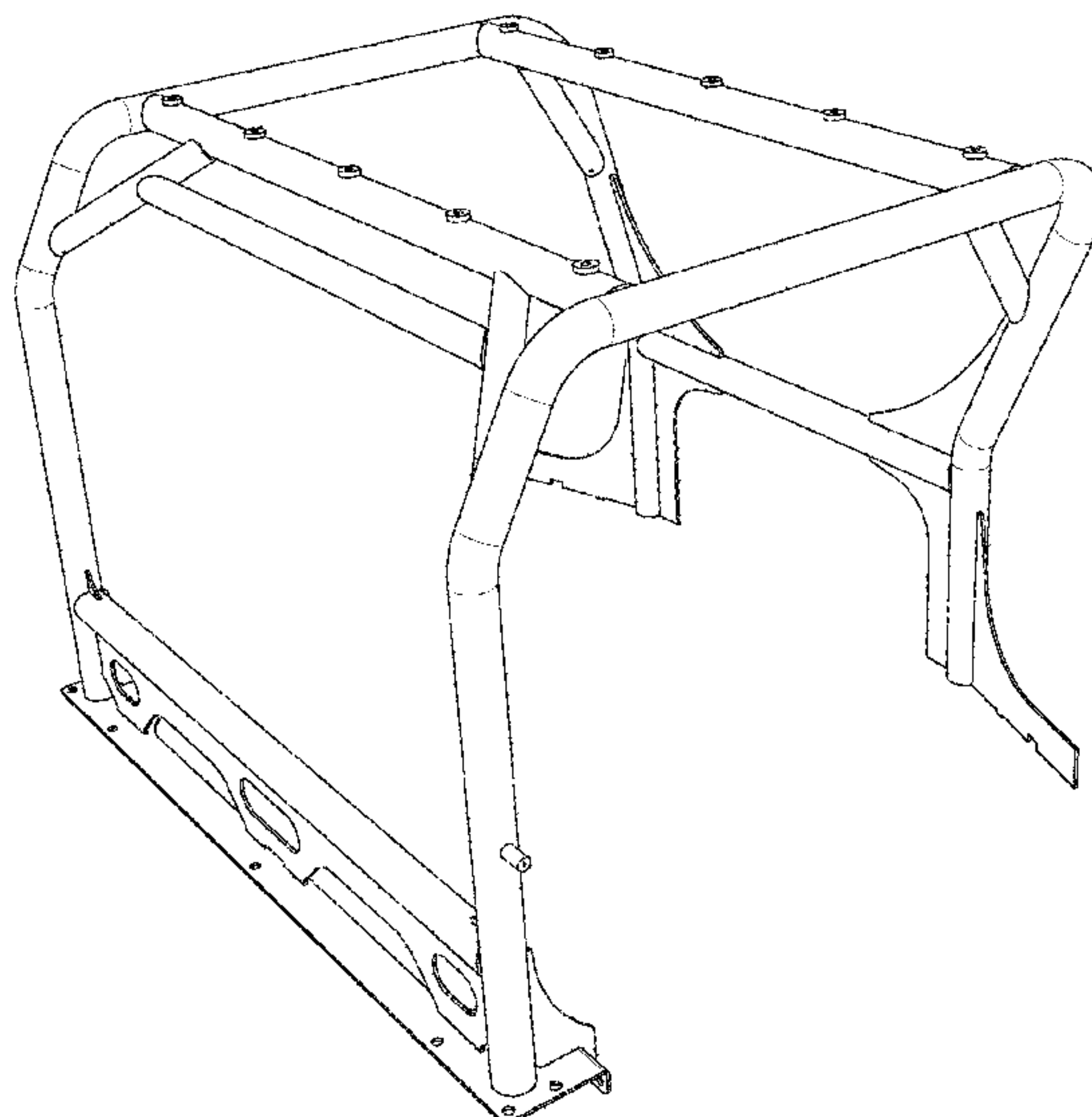
FIG. 1 is a right front perspective view of a roll cage showing our new design;
 FIG. 2 is a left front perspective view of the roll cage shown in FIG. 1;
 FIG. 3 is a right rear perspective view of the roll cage shown in FIG. 1;
 FIG. 4 is a left rear perspective view of the roll cage shown in FIG. 1;
 FIG. 5 is a front elevation view of the roll cage shown in FIG. 1;
 FIG. 6 is a rear elevation view of the roll cage shown in FIG. 1;
 FIG. 7 is a right side elevation view of the roll cage shown in FIG. 1;
 FIG. 8 is a left side elevation view of the roll cage shown in FIG. 1;
 FIG. 9 is a top plan view of the roll cage shown in FIG. 1; and,
 FIG. 10 is a bottom plan view of the roll cage shown in FIG. 1.

(56) **References Cited**

U.S. PATENT DOCUMENTS

- D262,790 S * 1/1982 Bernier D12/222
- D365,351 S * 12/1995 Schroyer D15/28
- D513,223 S * 12/2005 Saito D12/14
- 7,249,798 B2 * 7/2007 Saito B60N 2/24
280/756
- D578,934 S * 10/2008 Tanaka D12/14

1 Claim, 10 Drawing Sheets



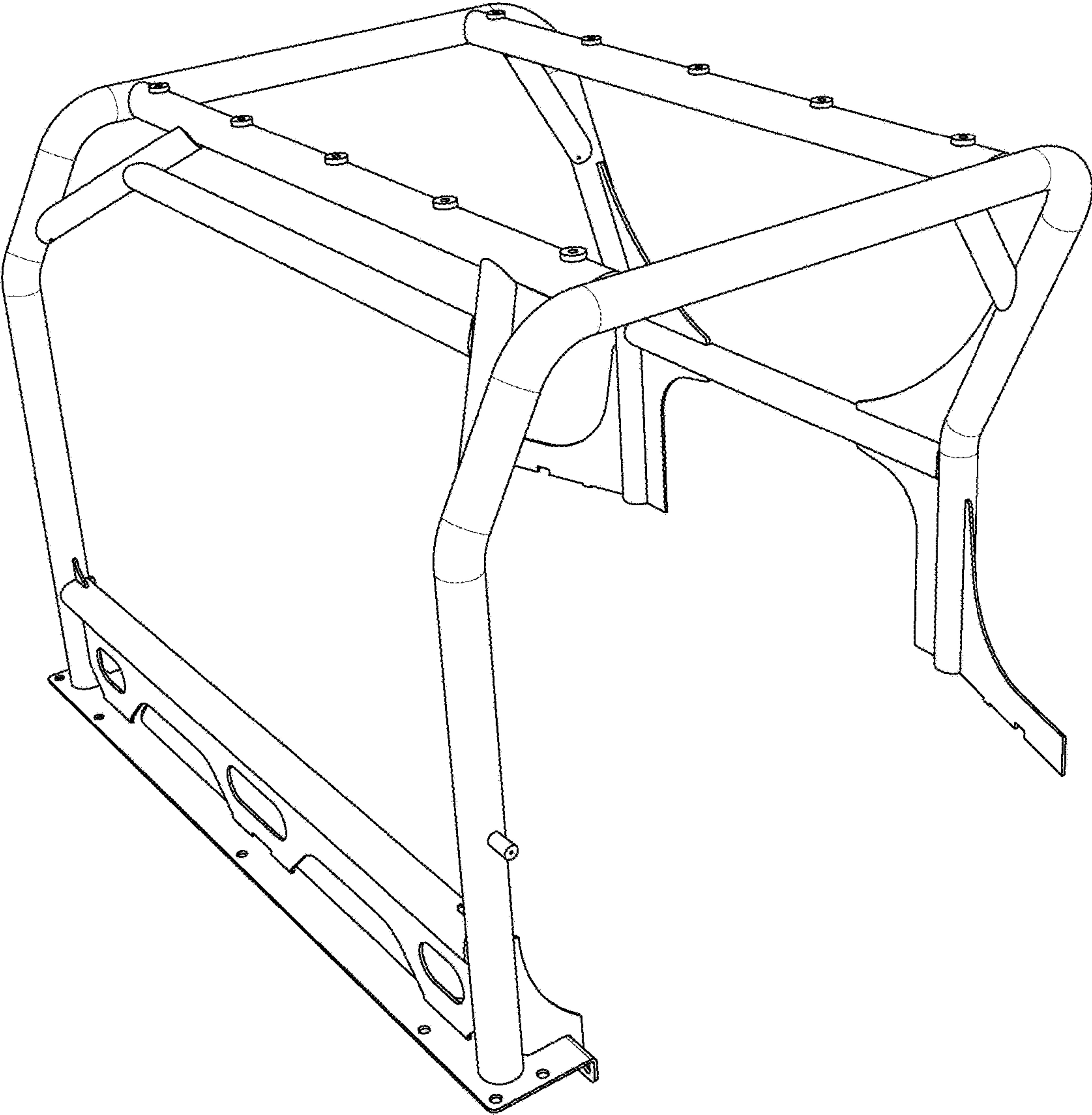


FIG. 1

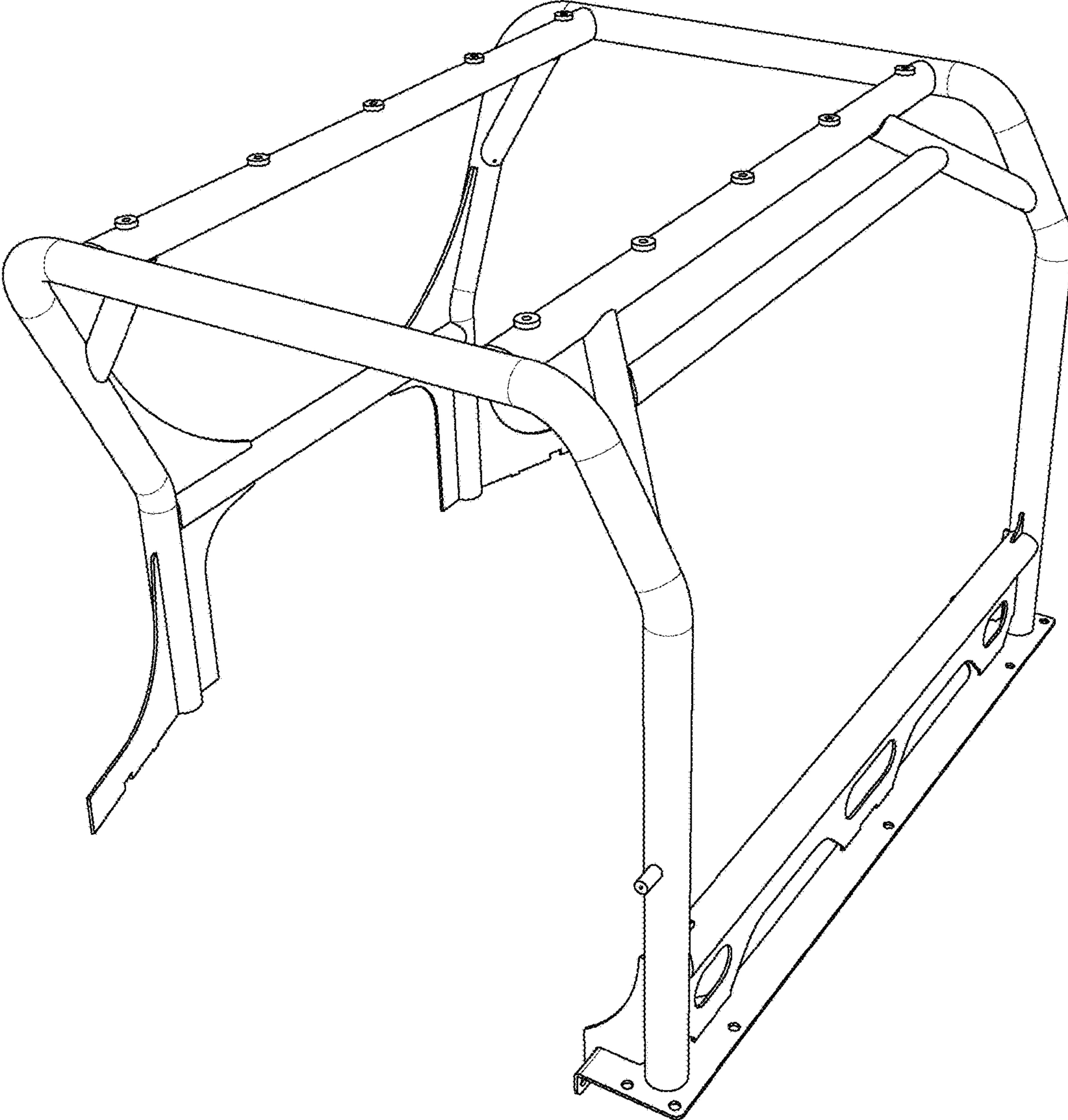


FIG. 2

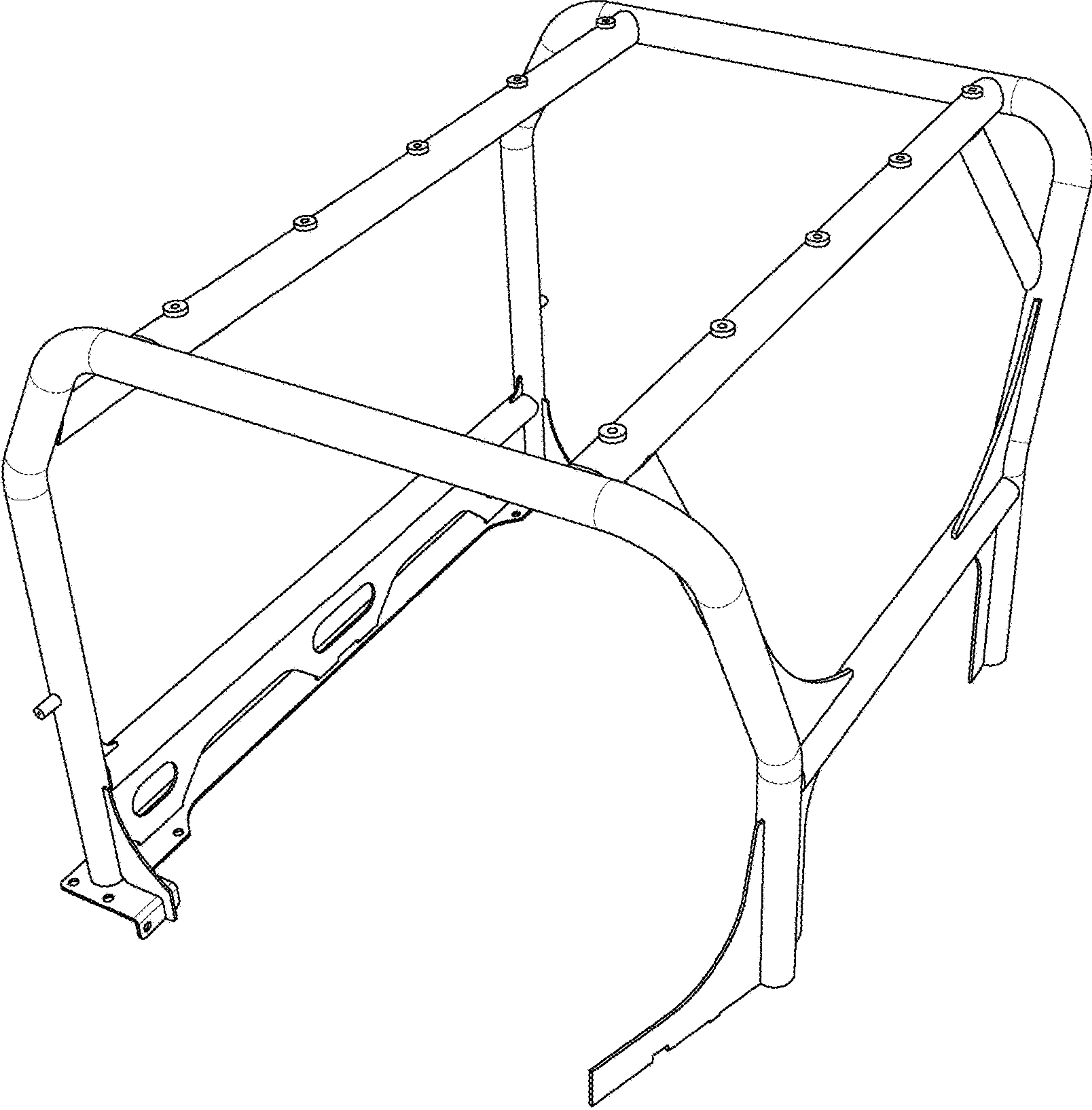


FIG. 3

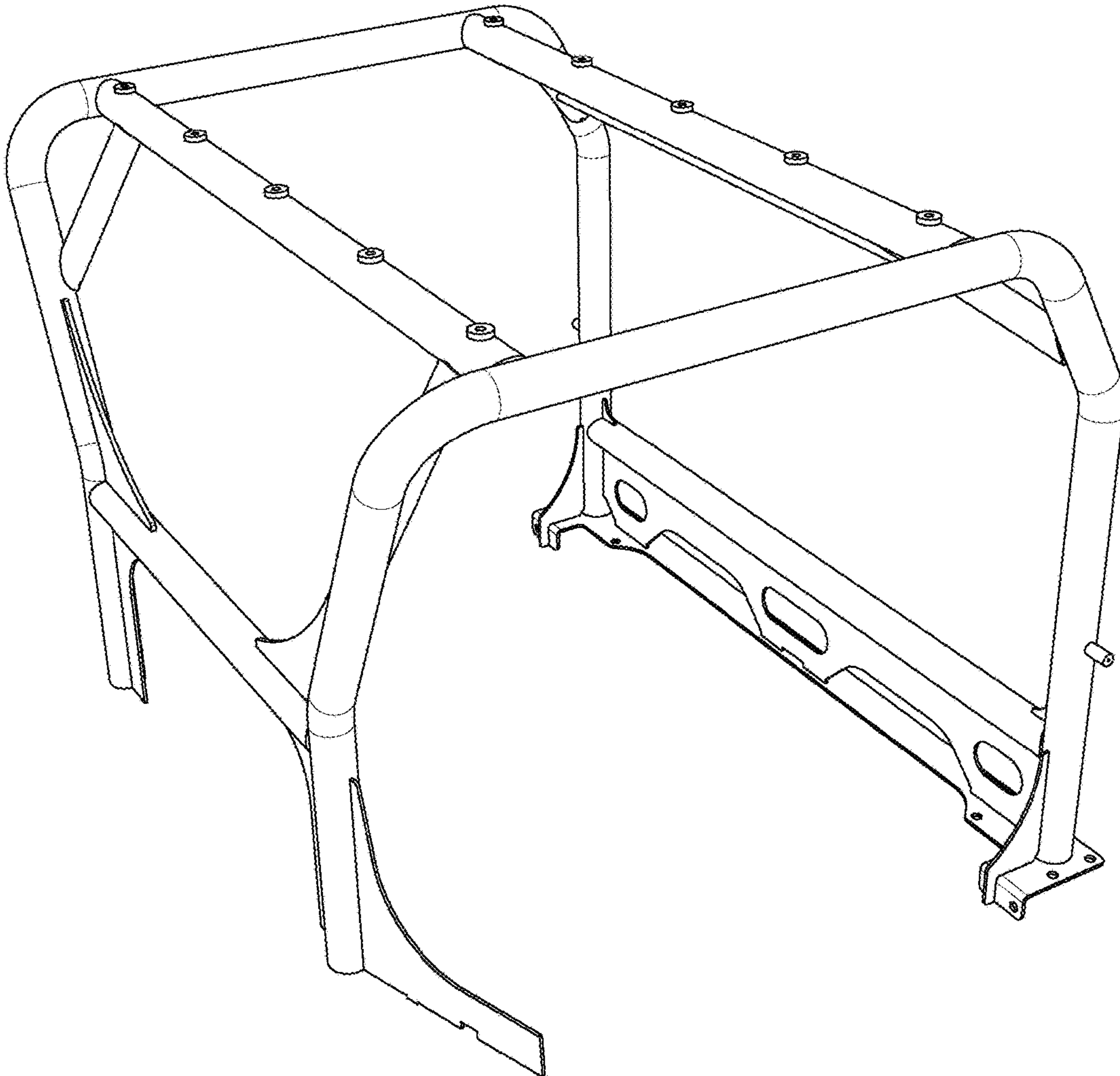


FIG. 4

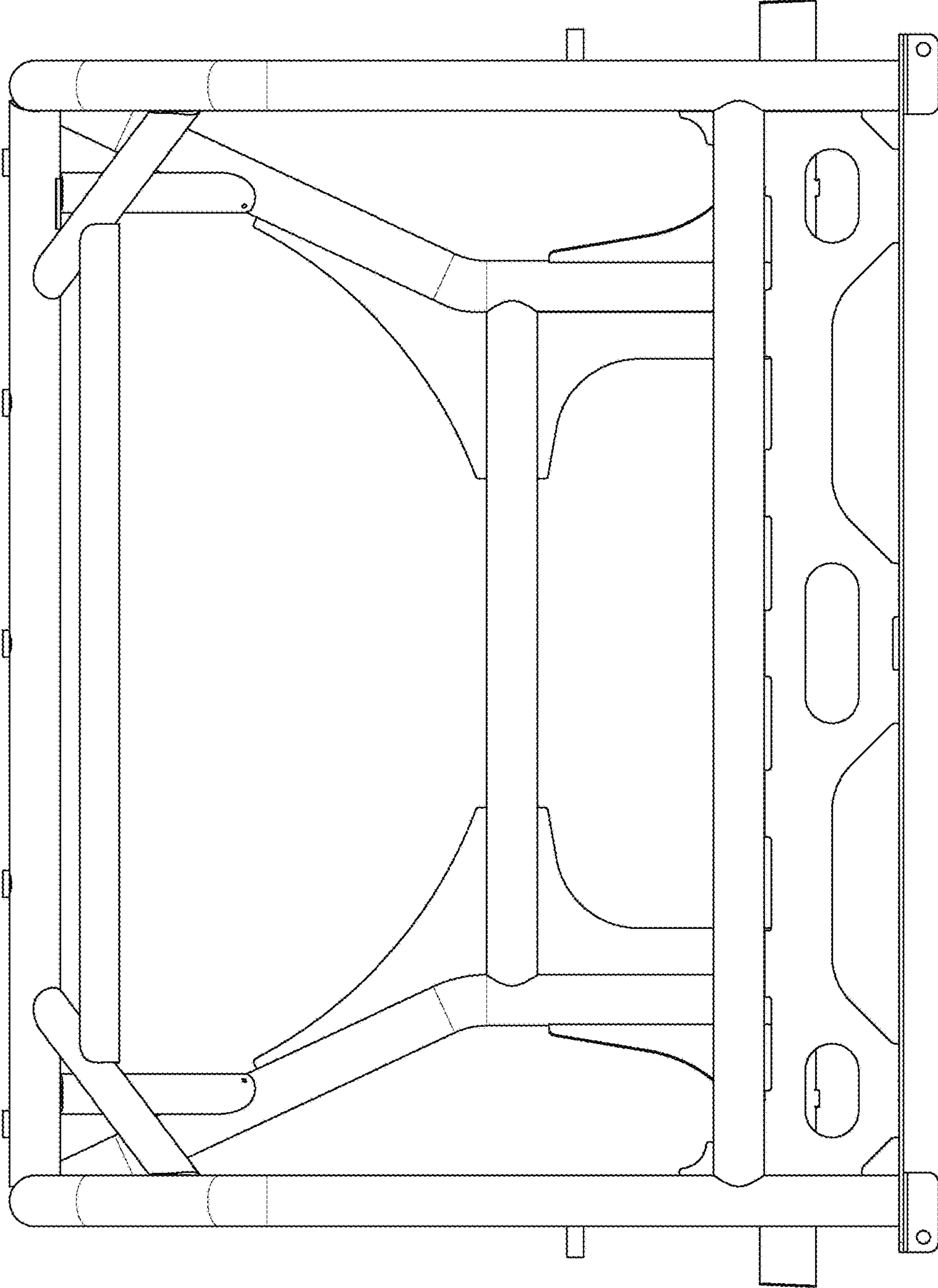


FIG. 5

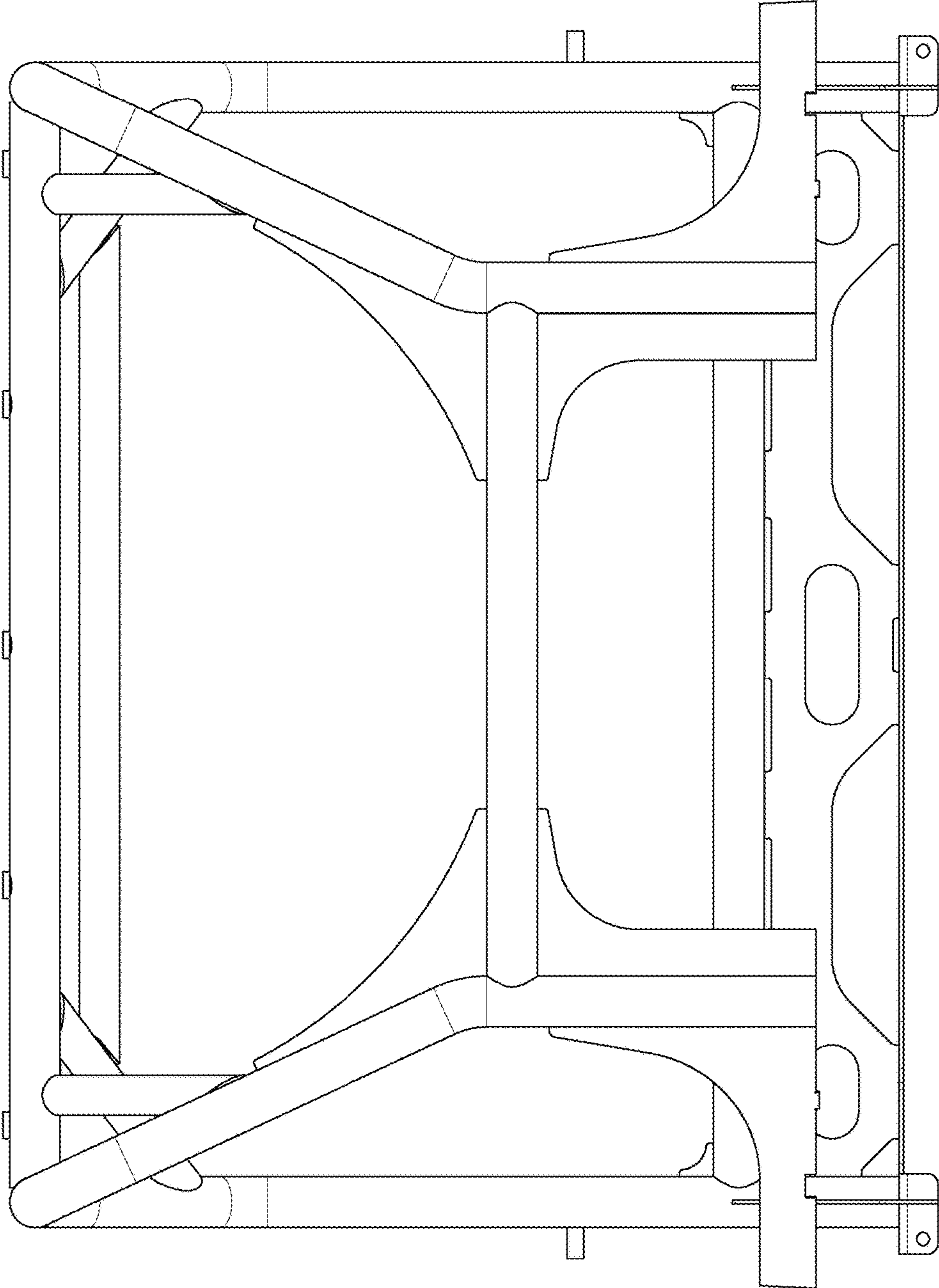


FIG. 6

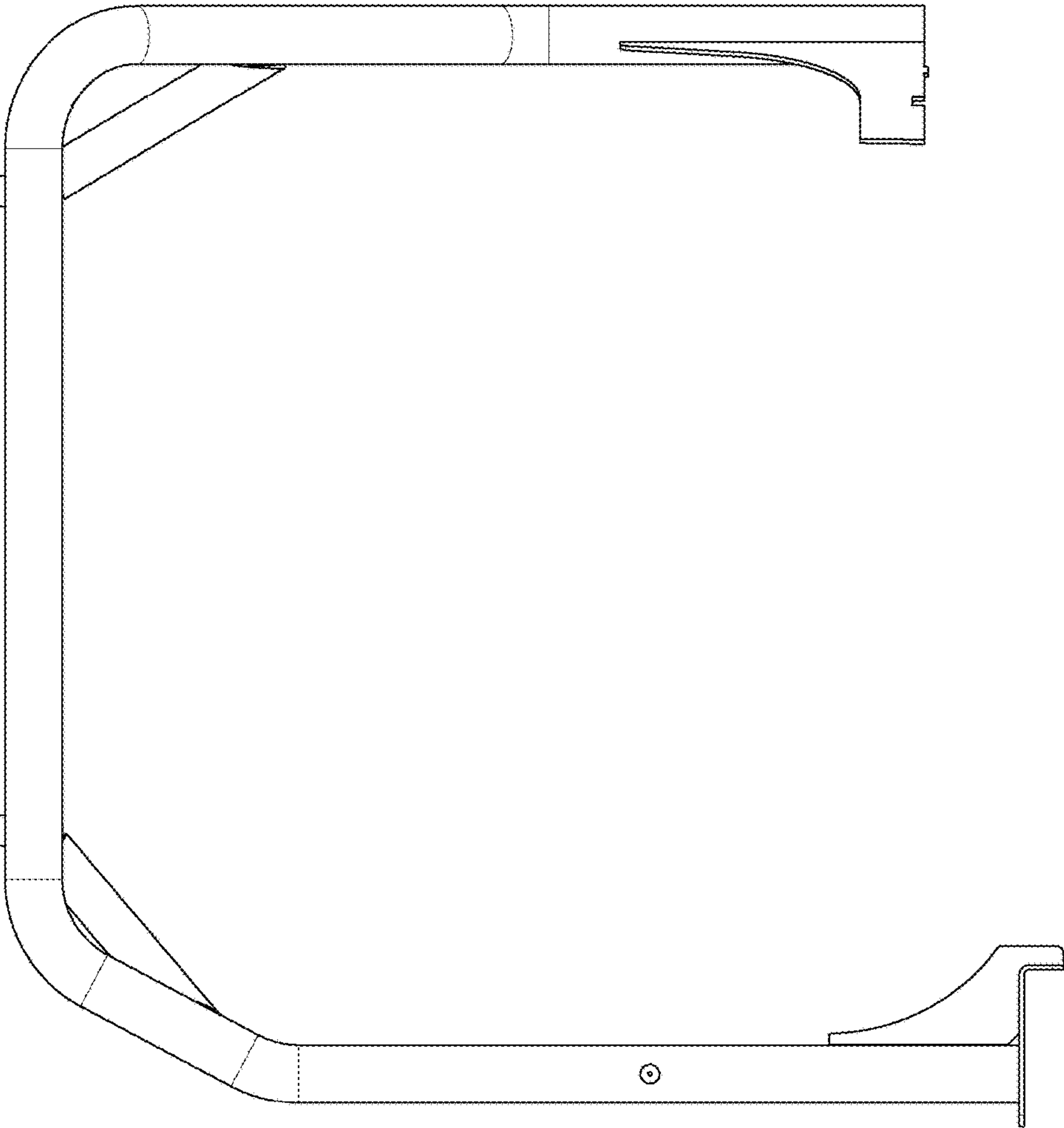


FIG. 7

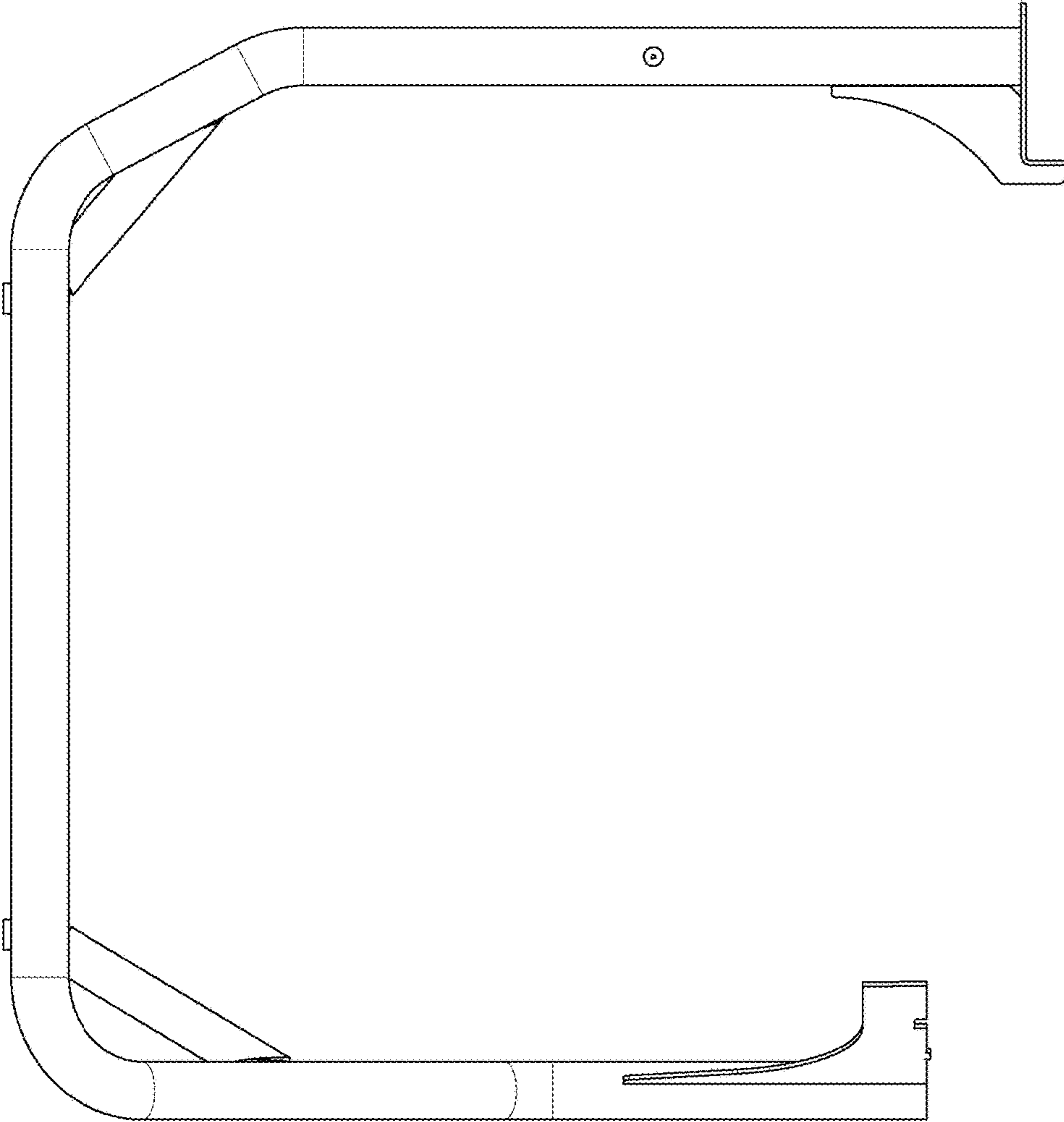


FIG. 8

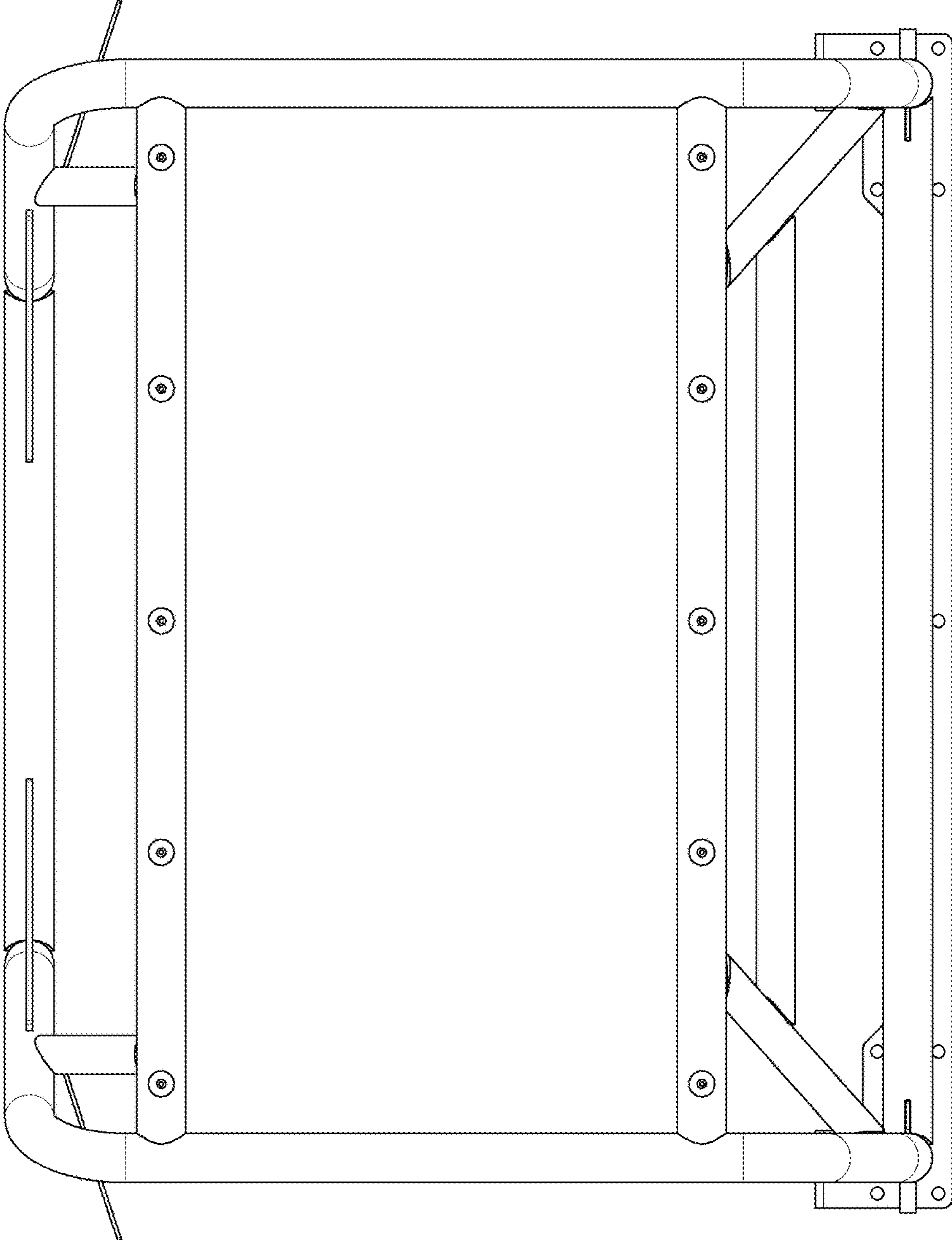


FIG. 9

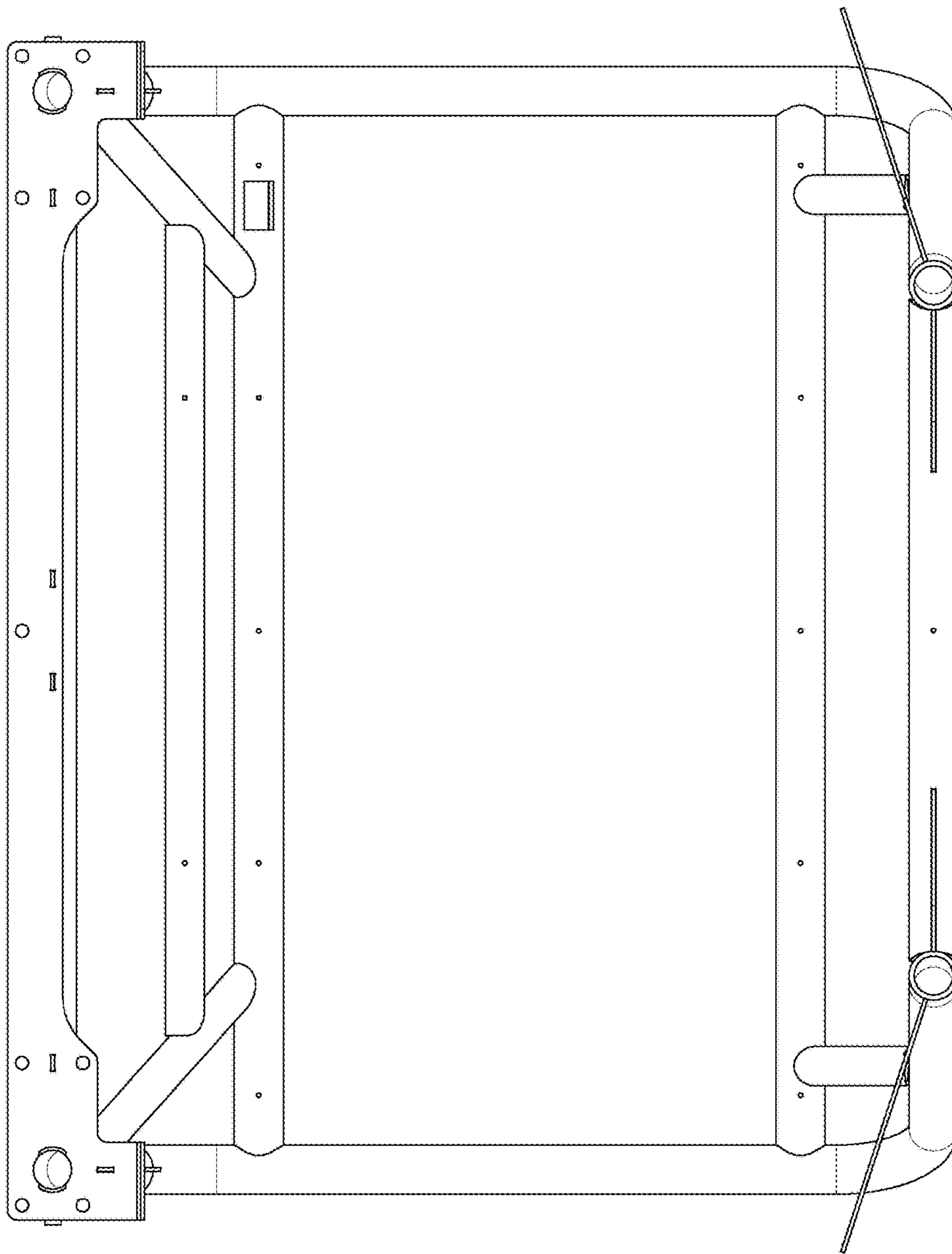


FIG. 10