



US00D810147S

(12) **United States Design Patent**
Crowl et al.

(10) **Patent No.:** **US D810,147 S**

(45) **Date of Patent:** **** Feb. 13, 2018**

(54) **UTV FOOD PLOT PLOW**

(71) Applicants: **Zac Crowl**, Batesville, AR (US); **Bill Hurst**, Batesville, AR (US)

(72) Inventors: **Zac Crowl**, Batesville, AR (US); **Bill Hurst**, Batesville, AR (US)

(**) Term: **15 Years**

(21) Appl. No.: **29/587,549**

(22) Filed: **Dec. 14, 2016**

(51) **LOC (11) Cl.** **15-03**

(52) **U.S. Cl.**
USPC **D15/11; D15/27**

(58) **Field of Classification Search**
USPC D15/11, 12, 27, 28, 23; 37/244;
172/583, 567, 5, 24, 588, 59, 9, 600, 817,
172/584, 527, 579, 540, 553, 599, 604,
172/669, 670, 671, 676
CPC A01B 23/046; A01B 23/00; A01B 23/04
See application file for complete search history.

(56) **References Cited**

U.S. PATENT DOCUMENTS

- 1,405,086 A * 1/1922 Altgelt A01B 35/16
172/158
- D134,346 S * 11/1942 Rude 172/584
- 2,469,605 A * 5/1949 McKay A01B 23/046
172/320
- D165,046 S * 11/1951 Bailey D15/27

- D188,500 S * 8/1960 Swanson D15/27
- 4,396,070 A * 8/1983 Brandner A01B 21/08
172/572
- D281,693 S * 12/1985 Doering D15/27
- D313,603 S * 1/1991 Burenga D15/11
- 5,361,848 A * 11/1994 Fleischer A01B 63/26
172/140
- 5,746,275 A * 5/1998 Cross A01B 59/068
172/246
- D437,326 S * 2/2001 Koberlein D15/11
- D676,878 S * 2/2013 Frachiseur D15/27

* cited by examiner

Primary Examiner — Mark Goodwin

(74) *Attorney, Agent, or Firm* — Keisling & Pieper PLC;
Trent C. Keisling

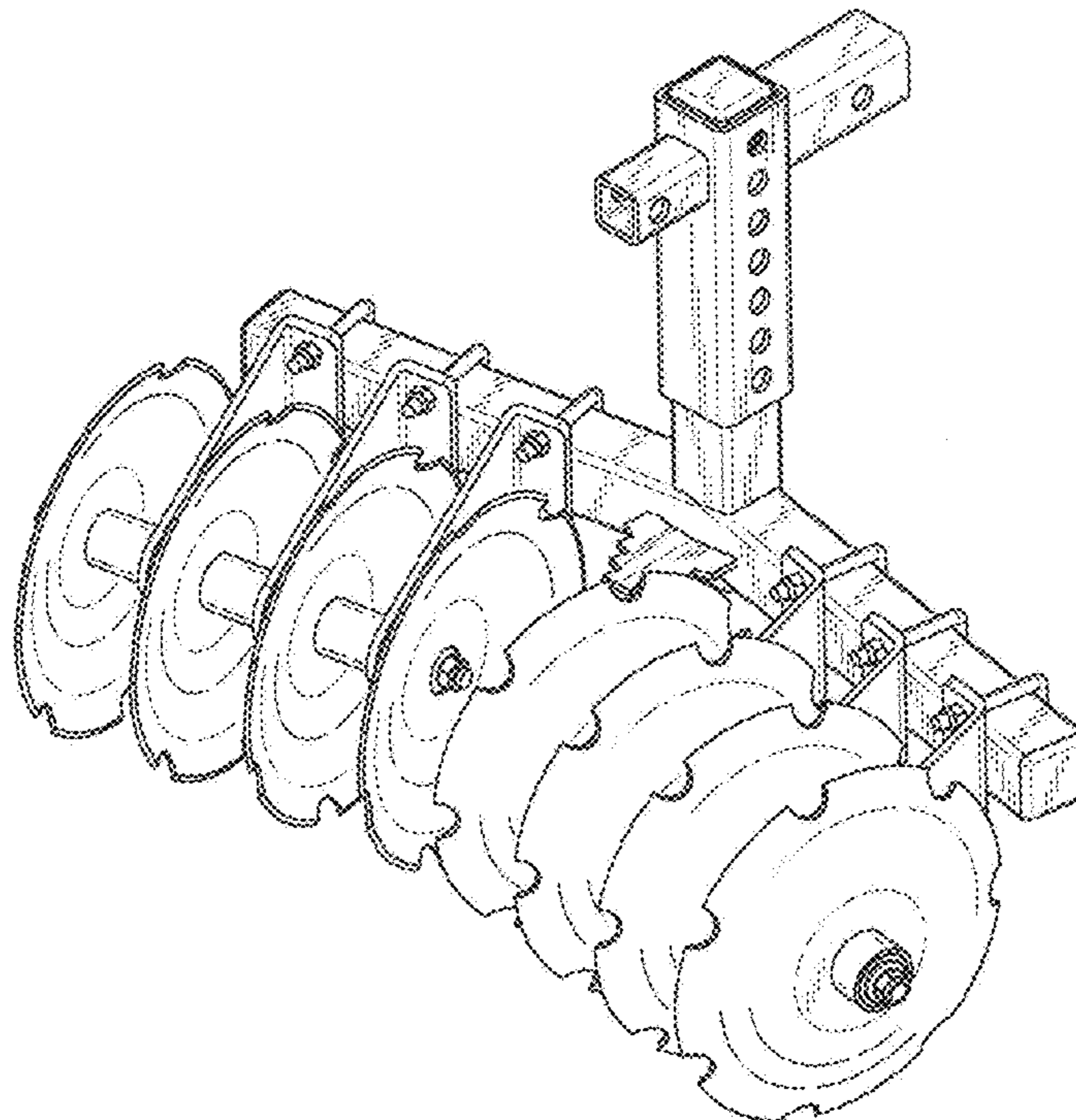
(57) **CLAIM**

The ornamental design for a UTV food plot plow, as shown and described.

DESCRIPTION

FIG. 1 is a perspective of a UTV food plot plow showing our new design;
 FIG. 2 is a perspective view taken generally from the bottom side thereof;
 FIG. 3 is a front view thereof;
 FIG. 4 is a rear view thereof;
 FIG. 5 is a left view thereof;
 FIG. 6 is a right view thereof;
 FIG. 7 is a top view thereof; and,
 FIG. 8 is a bottom view thereof.

1 Claim, 5 Drawing Sheets



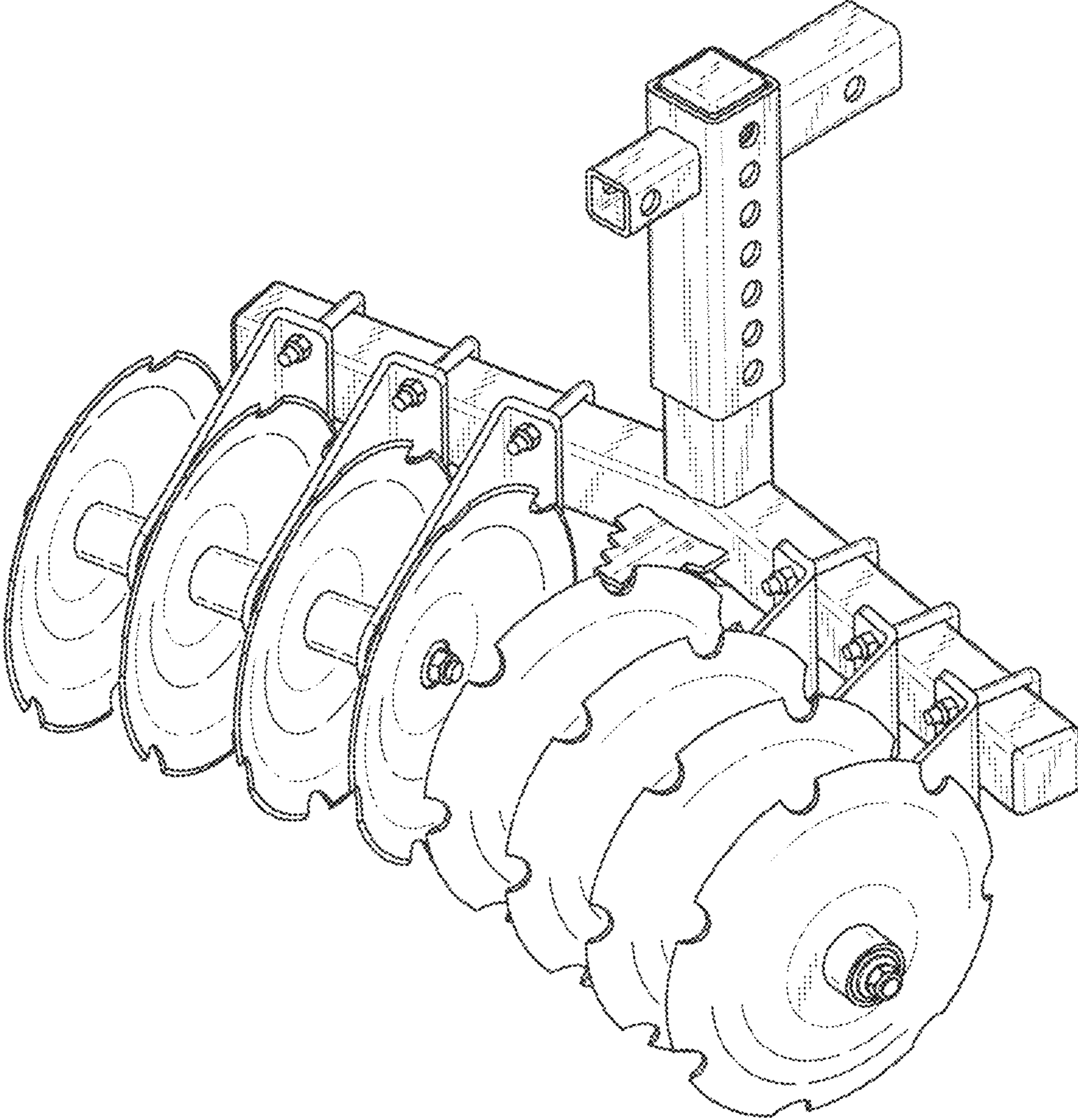


FIG. 1

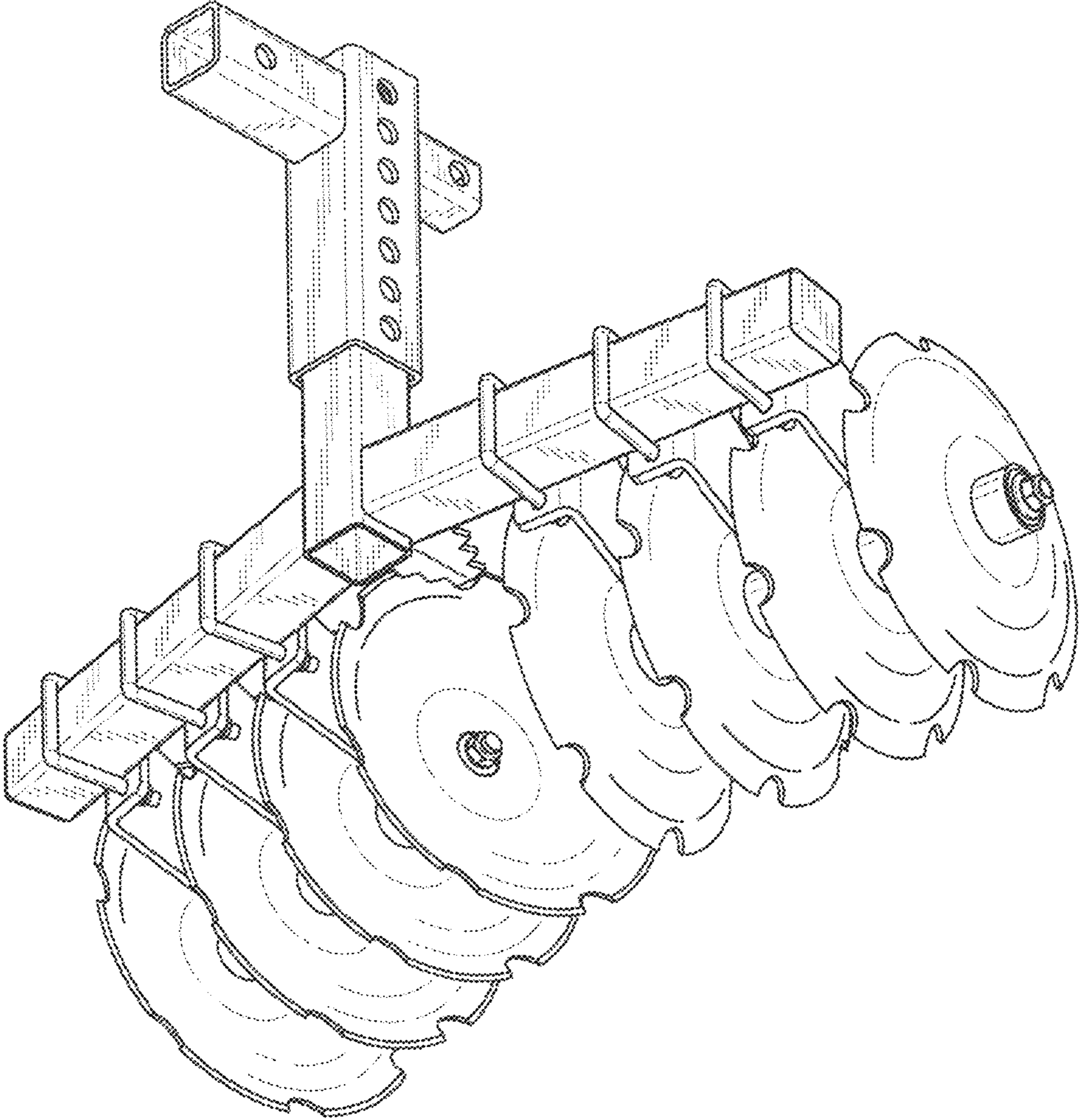


FIG. 2

FIG. 3

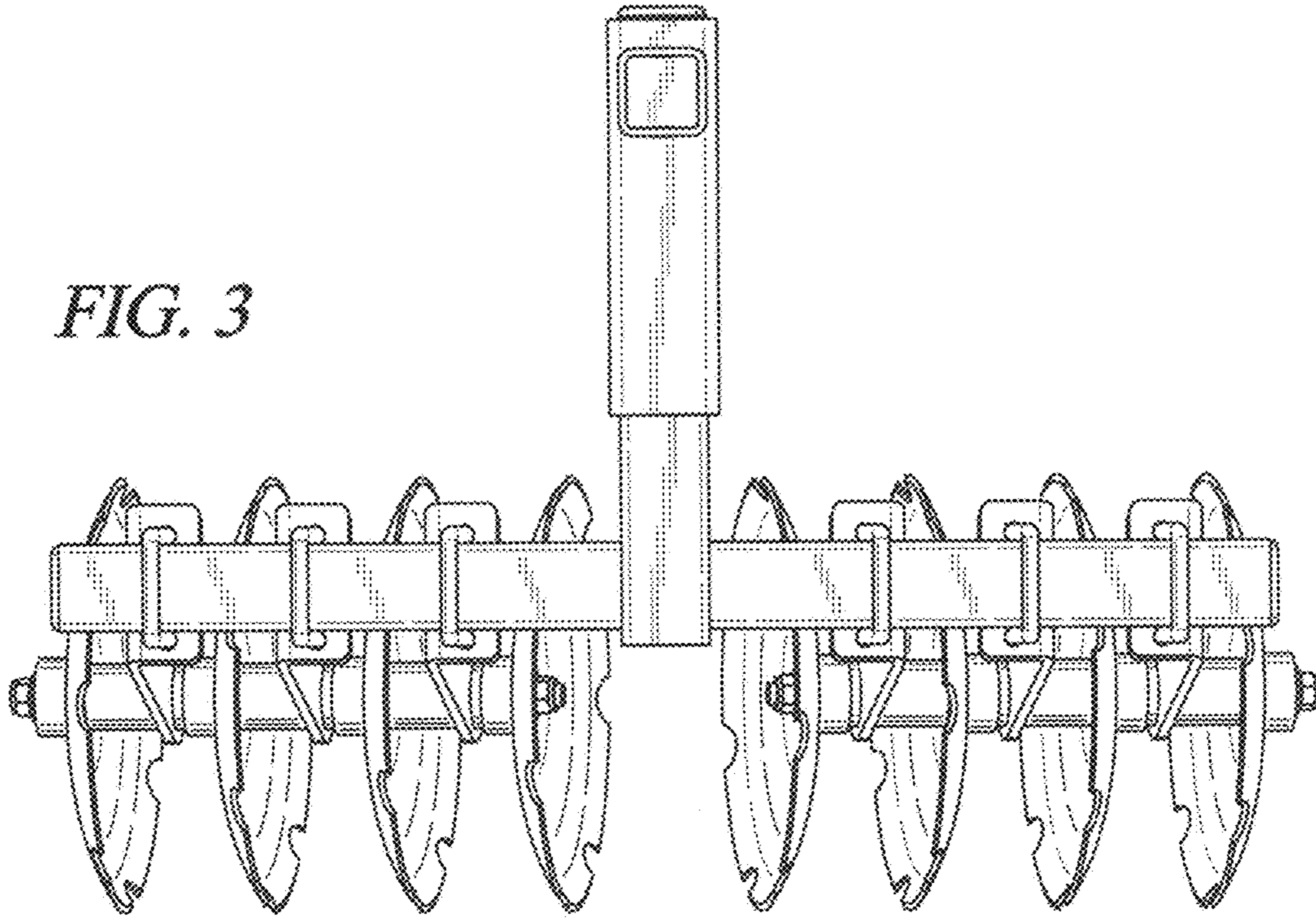
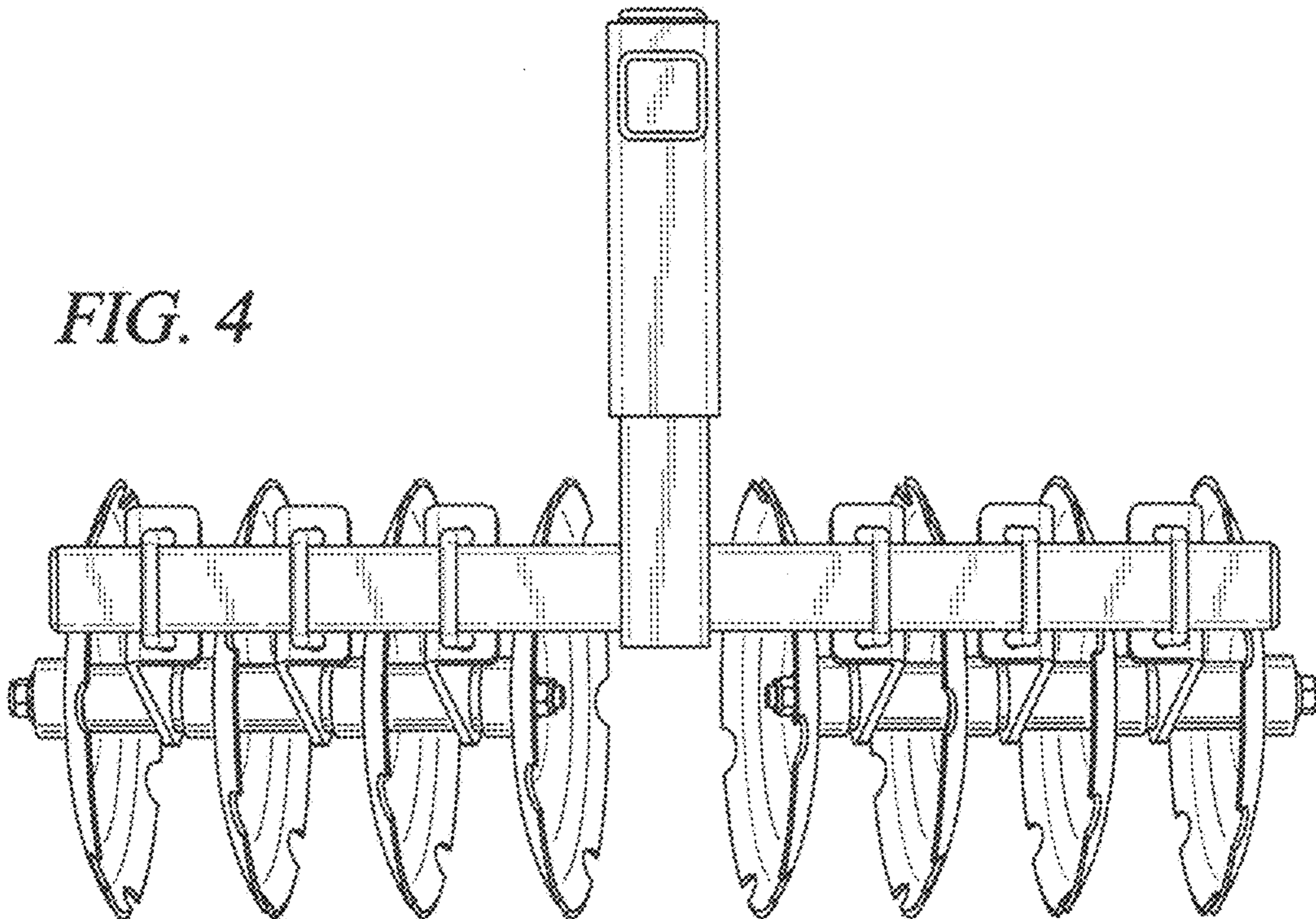


FIG. 4



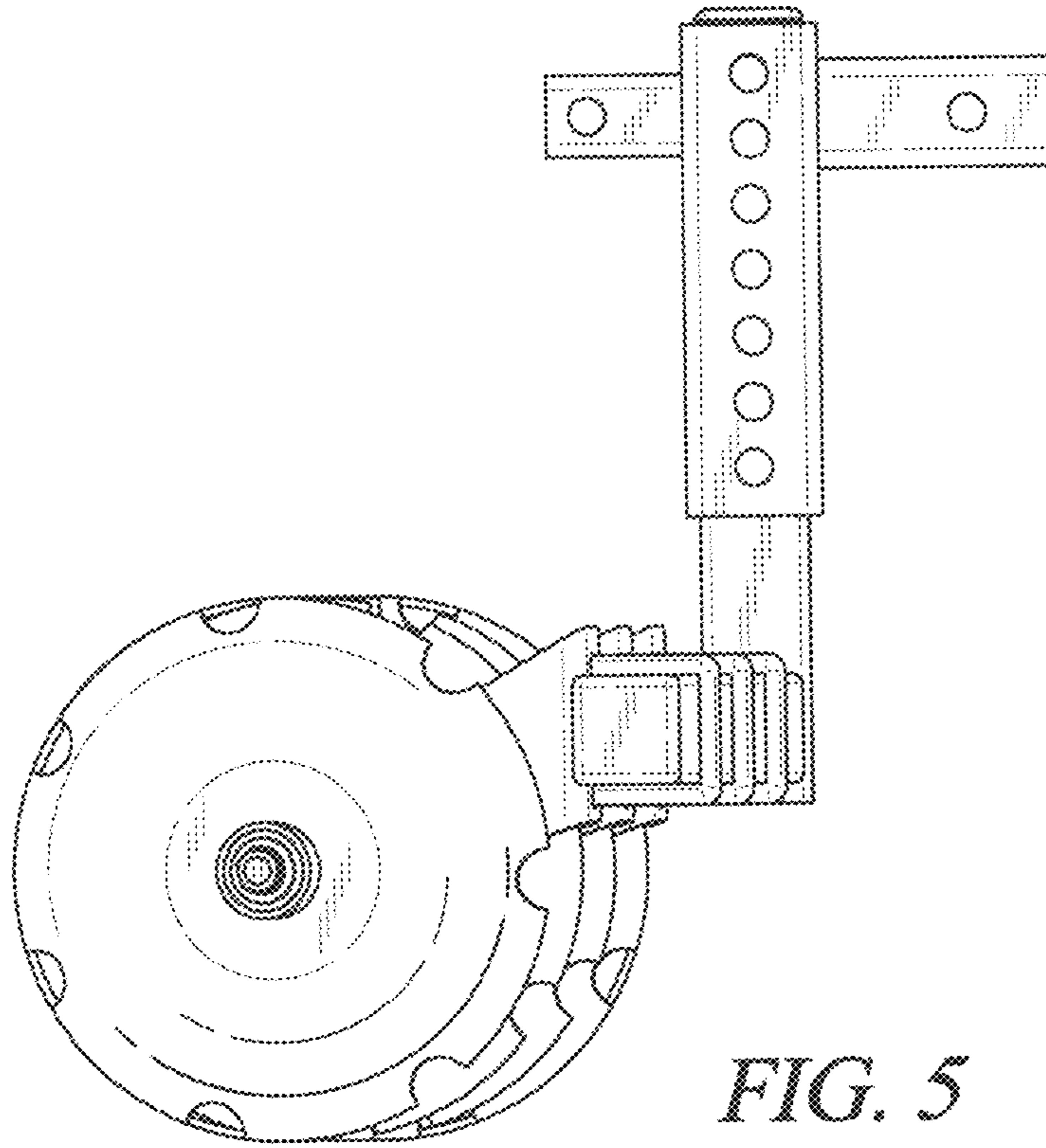


FIG. 5

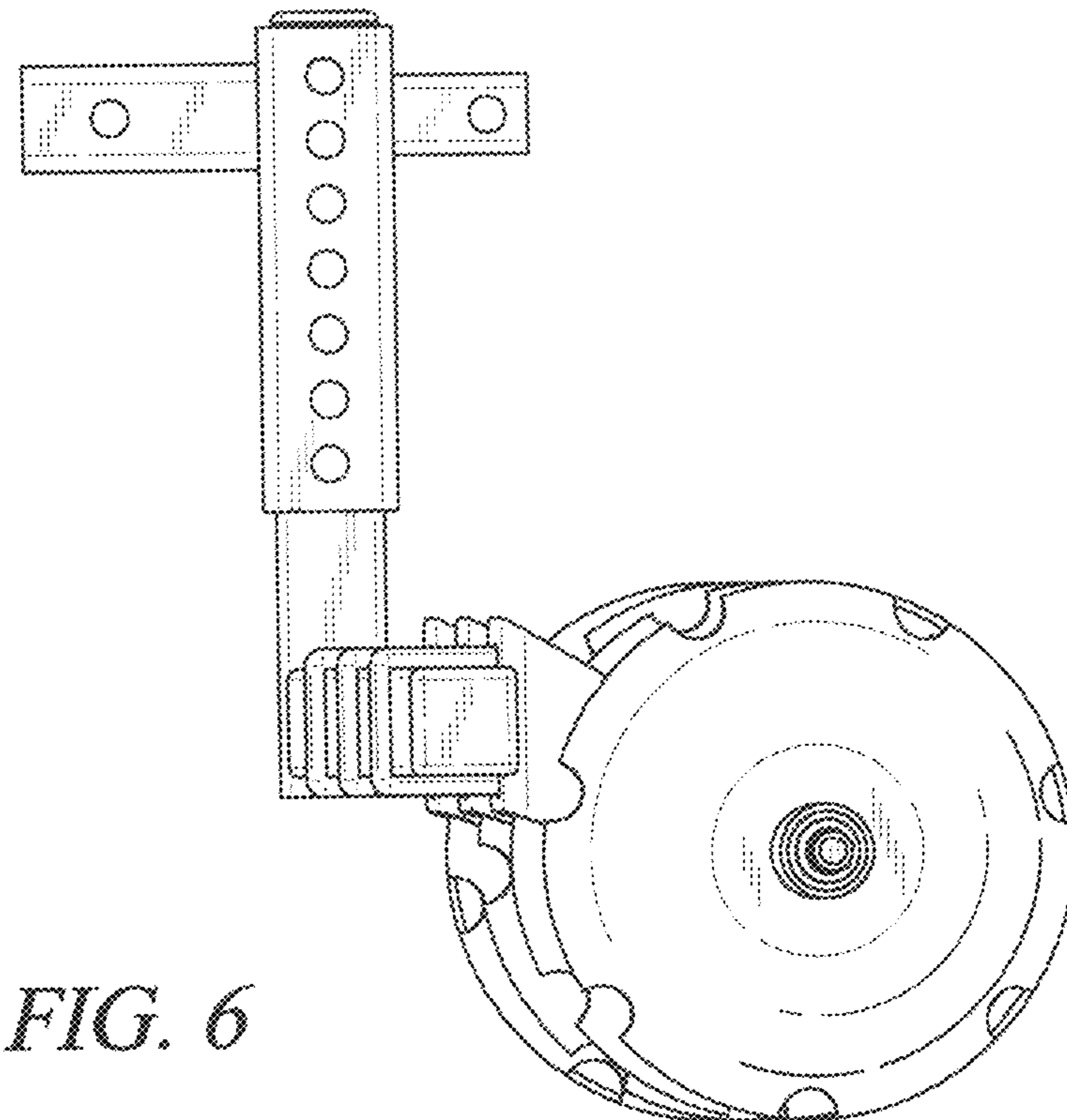


FIG. 6

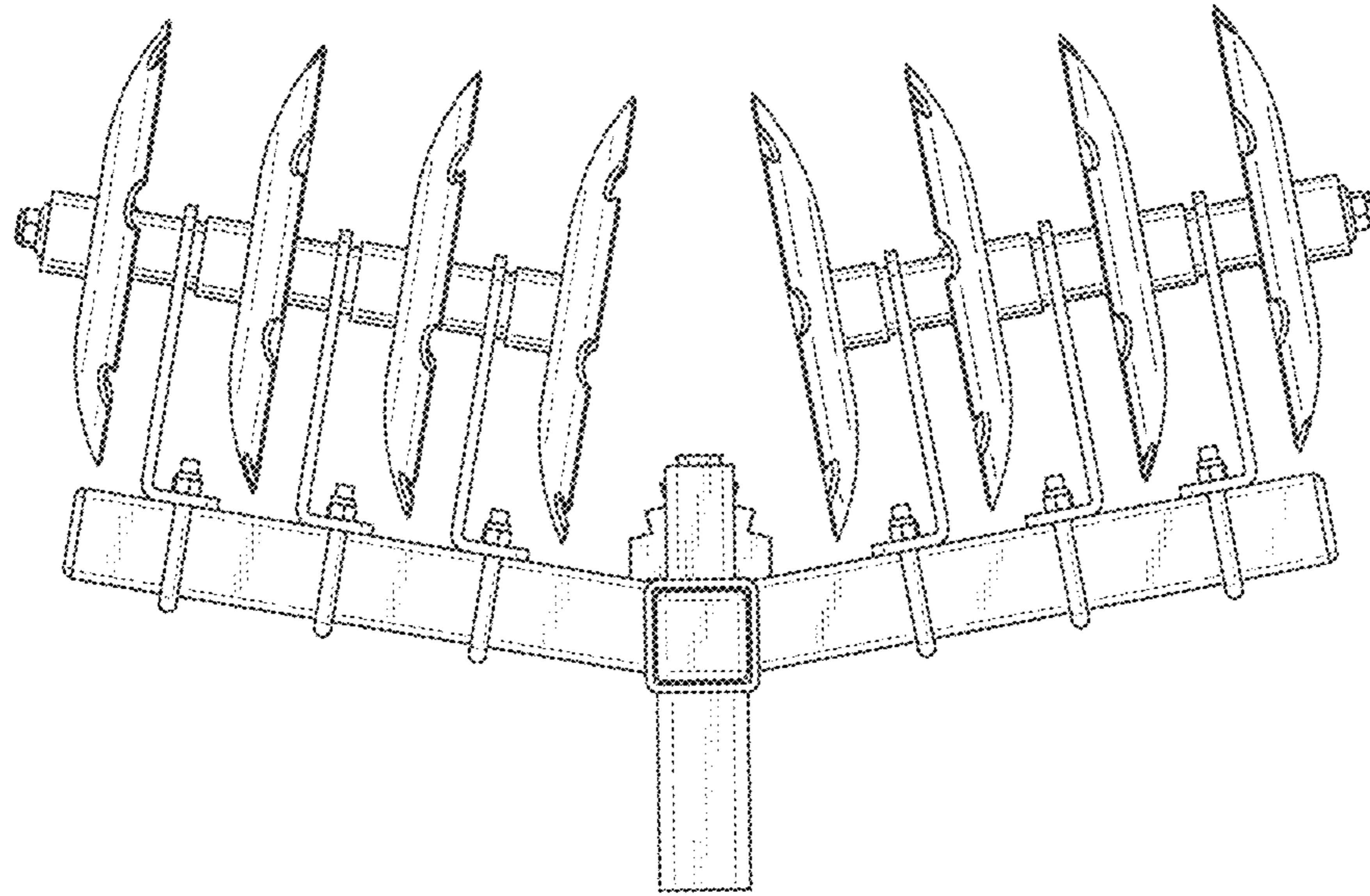


FIG. 7

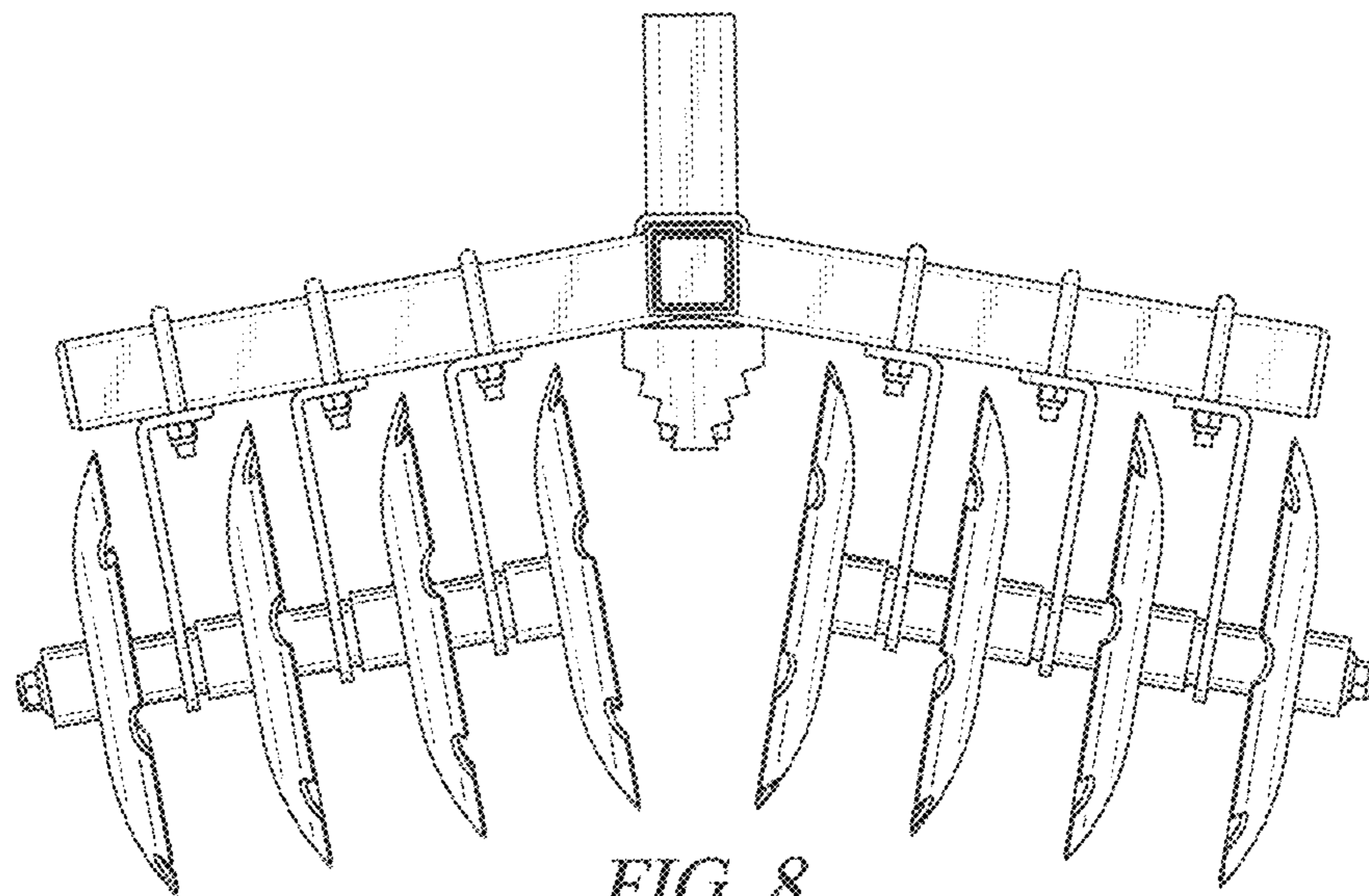


FIG. 8