



US00D810146S

(12) **United States Design Patent** (10) **Patent No.:** **US D810,146 S**
Reiter et al. (45) **Date of Patent:** **** Feb. 13, 2018**

(54) **FUEL DISPENSER WITH TOUCH SCREEN**

(71) Applicant: **Wayne Fueling Systems LLC**, Austin, TX (US)

(72) Inventors: **Jeffrey Reiter**, Austin, TX (US); **Daniel Holmes**, Austin, TX (US); **Randal S. Kretzler**, Austin, TX (US); **Artemus A. Shelton**, Hutto, TX (US); **John Joseph Morris**, Austin, TX (US); **Scott R. Negley, III**, Austin, TX (US)

(73) Assignee: **Wayne Fueling Systems LLC**, Austin, TX (US)

(**) Term: **15 Years**

(21) Appl. No.: **29/599,256**

(22) Filed: **Mar. 31, 2017**

(51) **LOC (11) Cl.** **15-02**

(52) **U.S. Cl.**
USPC **D15/9.2**

(58) **Field of Classification Search**
USPC D15/7-9.3; D23/231, 232, 225; 417/60, 417/235, 265, 321, 355, 358, 363, 359, 417/410.1, 415-416, 405, 900; 60/408, 60/412; 184/26-37; 415/140-147; 123/495, 509
CPC ... B67D 5/22; B67D 5/12; B67D 5/08; D67D 5/06; G06F 7/08
See application file for complete search history.

(56) **References Cited**

U.S. PATENT DOCUMENTS

D309,144 S * 7/1990 Austin D15/9.2
D667,846 S * 9/2012 Helgesson D15/9.2

D677,284 S * 3/2013 Helgesson D15/9.2
D681,682 S * 5/2013 Schmelzer D15/9.2
D688,274 S * 8/2013 Schmelzer D15/9.2
D688,275 S * 8/2013 Schmelzer D15/9.2
D718,338 S * 11/2014 Helgesson D15/9.2
D739,443 S * 9/2015 Larsson D15/9.2
D746,875 S * 1/2016 Helgesson D15/9.3
9,302,899 B2 * 4/2016 Williams G06F 17/00

* cited by examiner

Primary Examiner — Ralf T Seifert

(74) *Attorney, Agent, or Firm* — Mintz Levin Cohn Ferris Glovsky and Popeo, P.C.

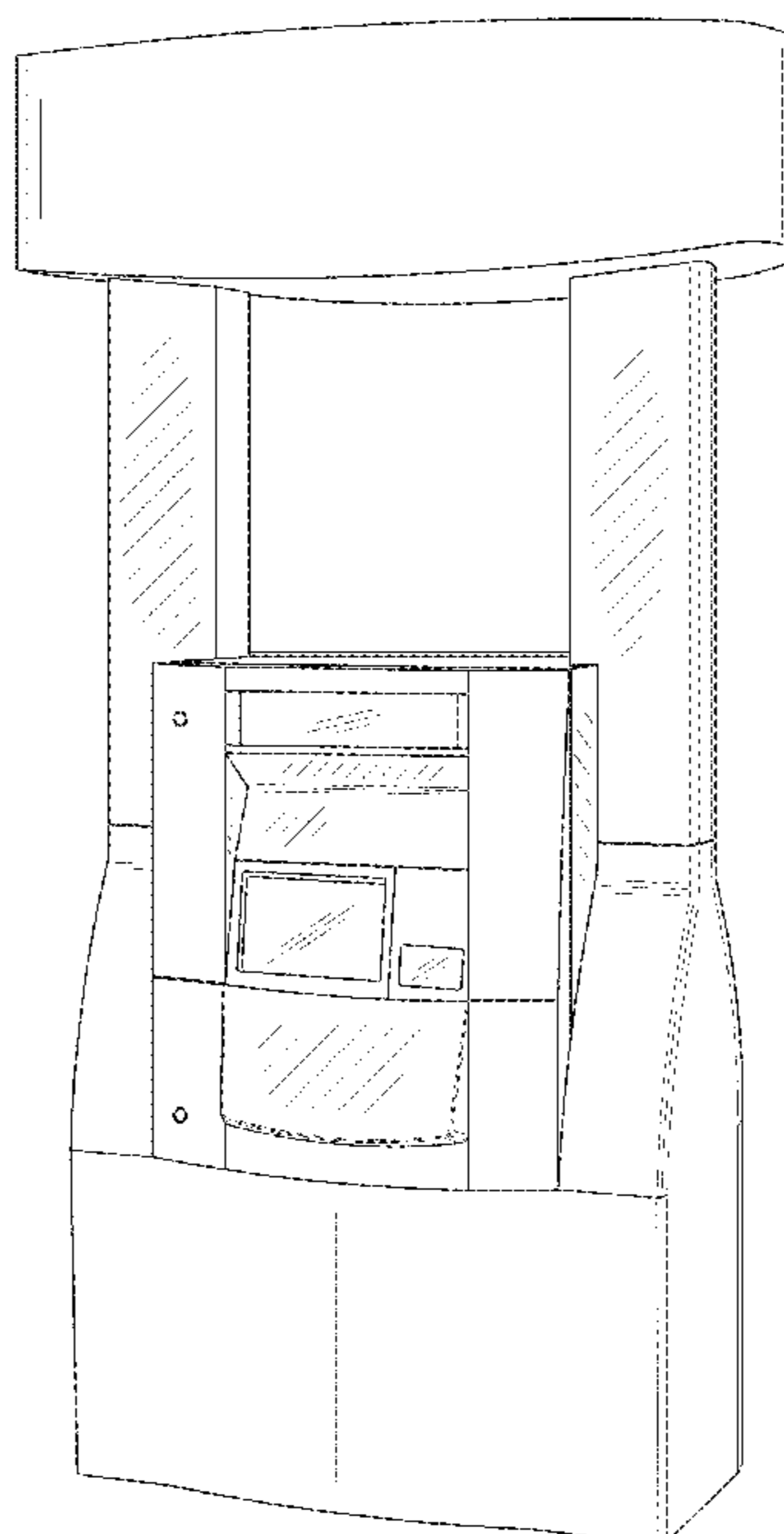
(57) **CLAIM**

The ornamental design for a fuel dispenser with touch screen, as shown and described.

DESCRIPTION

FIG. 1 is a front view of a fuel dispenser with touch screen for user interaction;
FIG. 2 is a front perspective view of the fuel dispenser with touch screen of FIG. 1;
FIG. 3 is a left side view of the fuel dispenser with touch screen of FIG. 1;
FIG. 4 is a top view of the fuel dispenser with touch screen of FIG. 1;
FIG. 5 is a bottom view of the fuel dispenser with touch screen of FIG. 1; and,
FIG. 6 is a front perspective view of portion of the fuel dispenser with touch screen of FIG. 1.
The right side view is identical to the left side view shown in FIG. 3, and thus the right side view is omitted. The broken line showing of a display screen in the views forms no part of the claimed design.

1 Claim, 6 Drawing Sheets



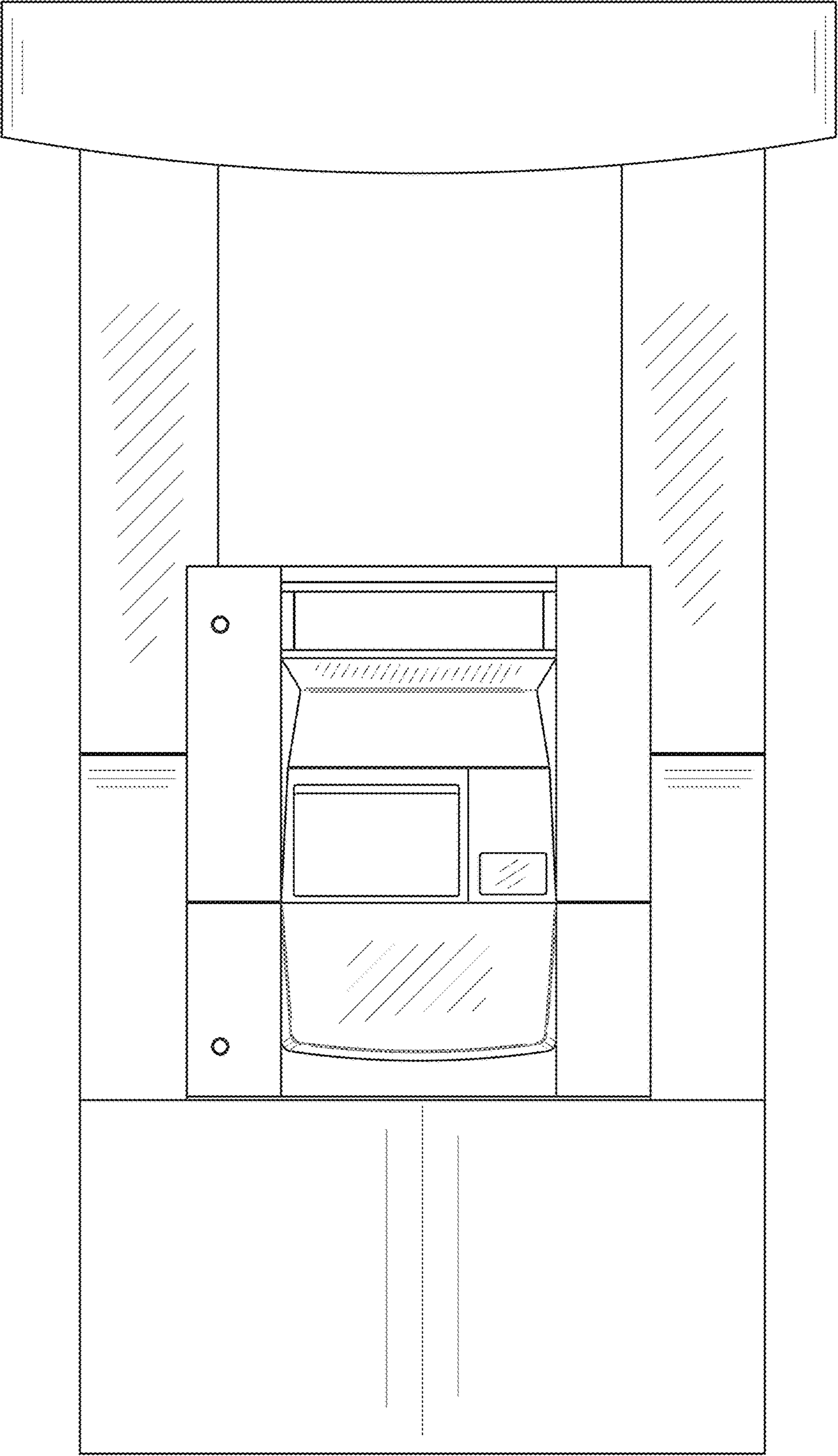


FIG. 1

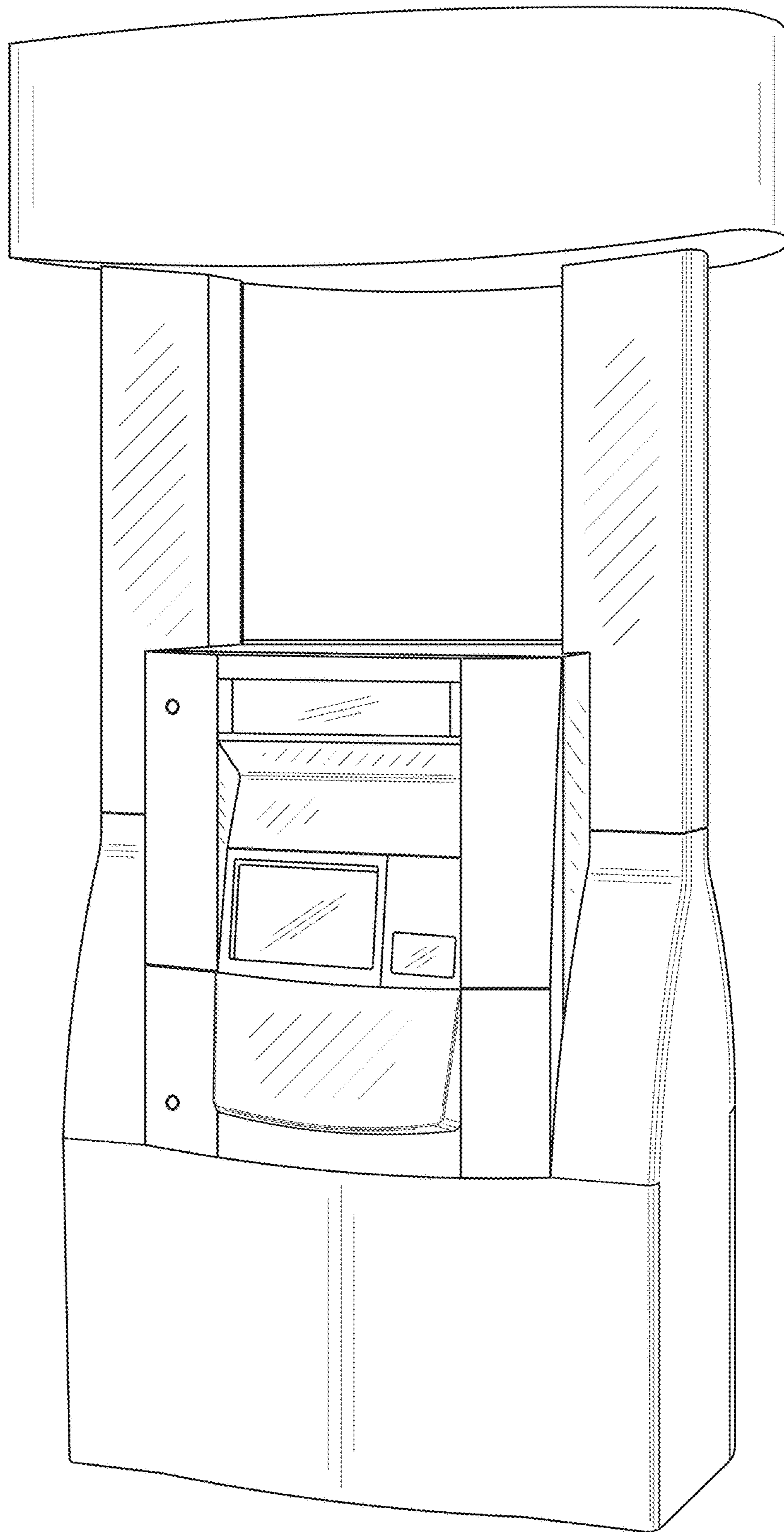


FIG. 2

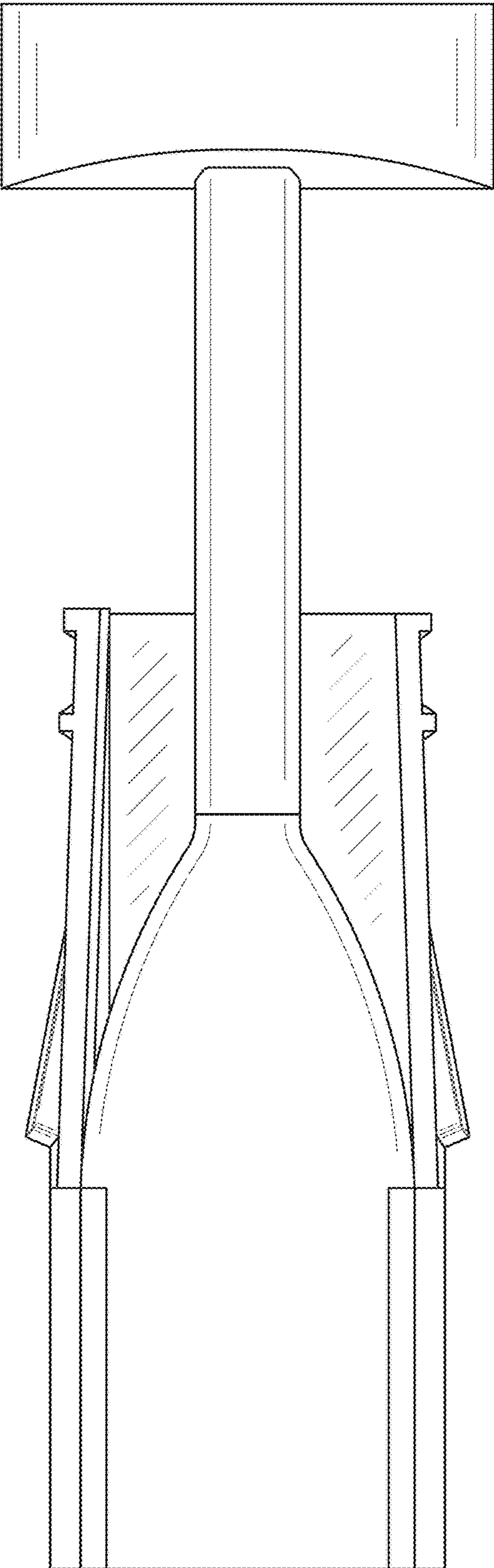


FIG. 3

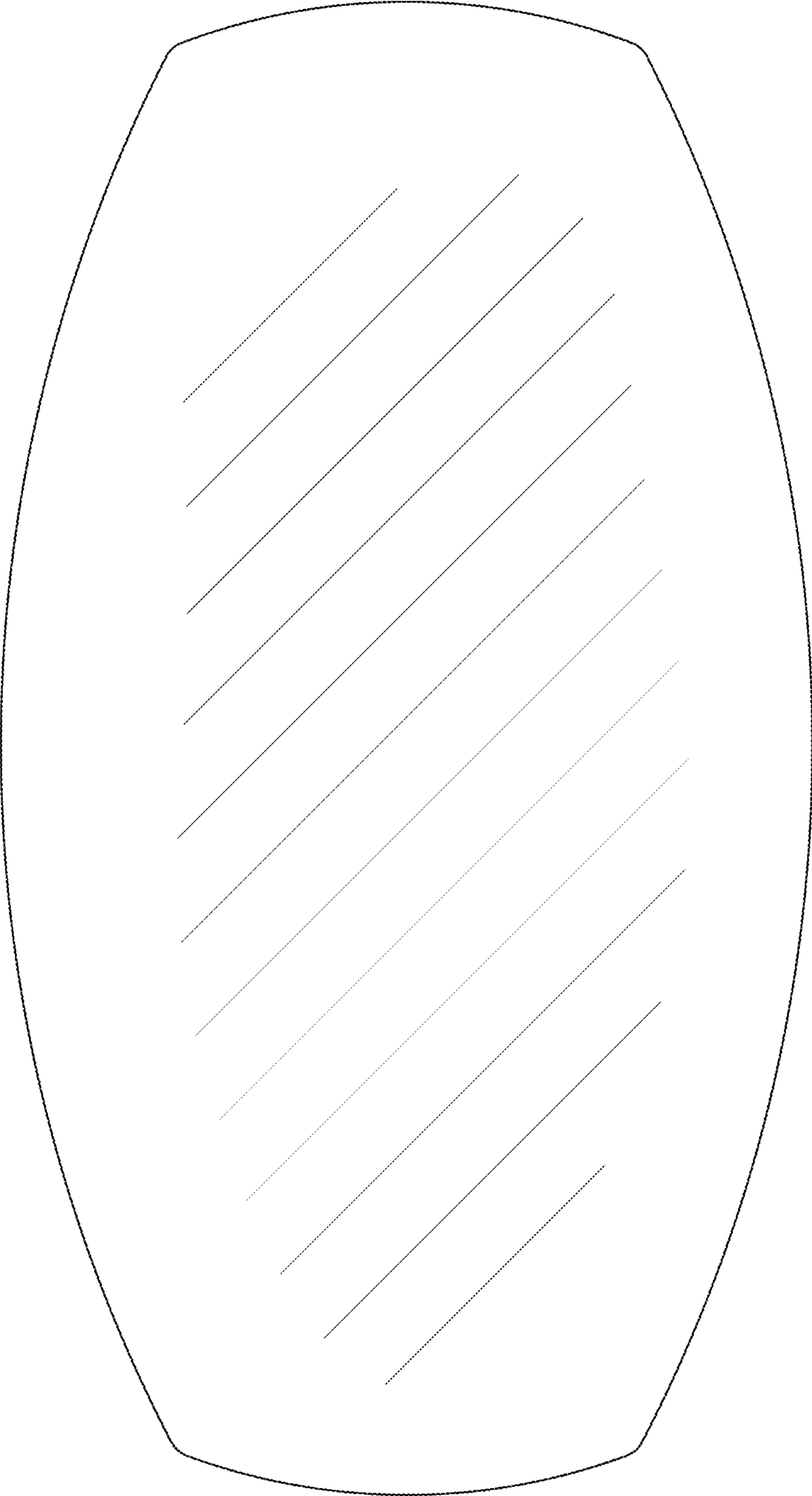


FIG. 4

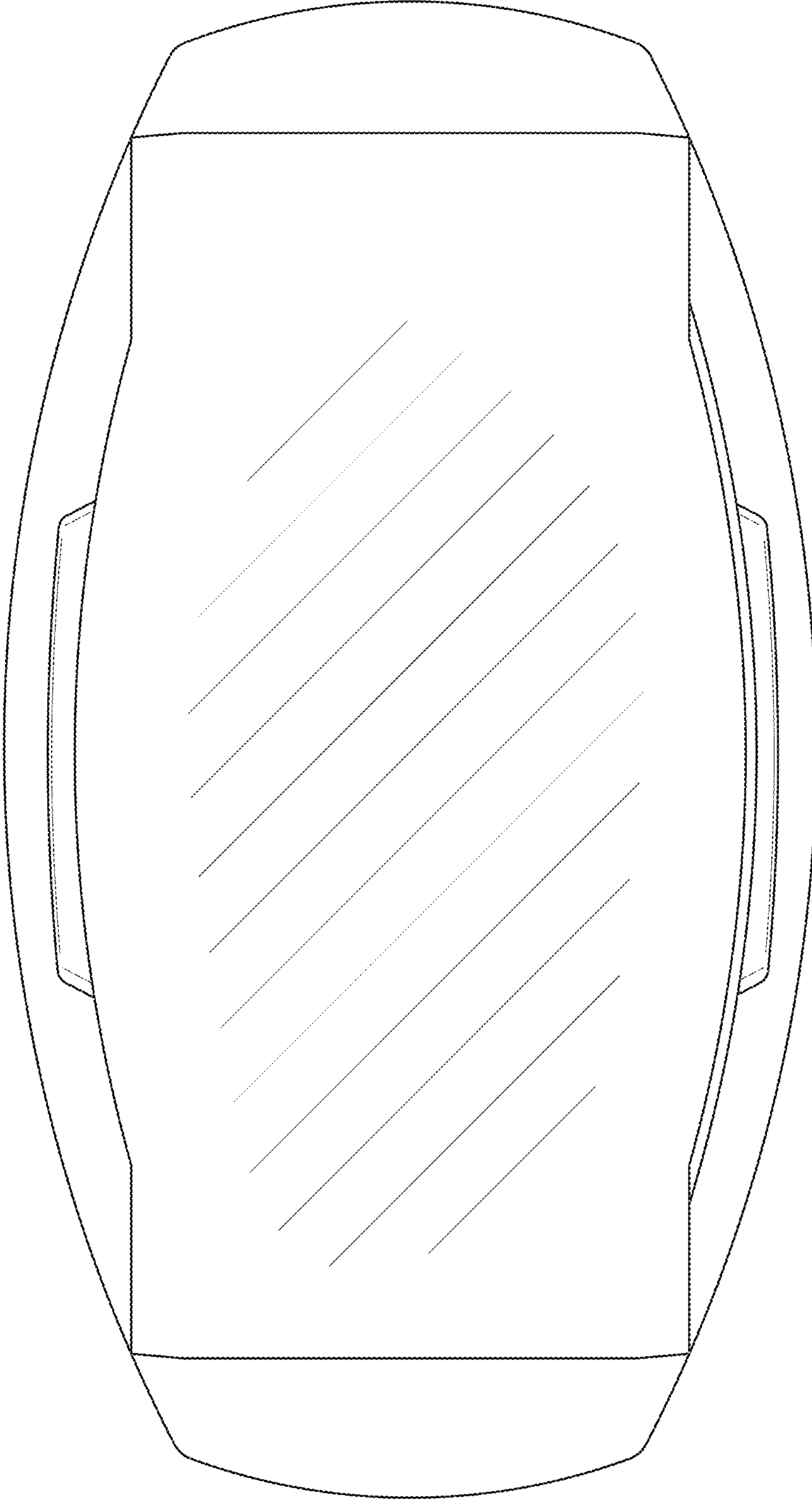


FIG. 5

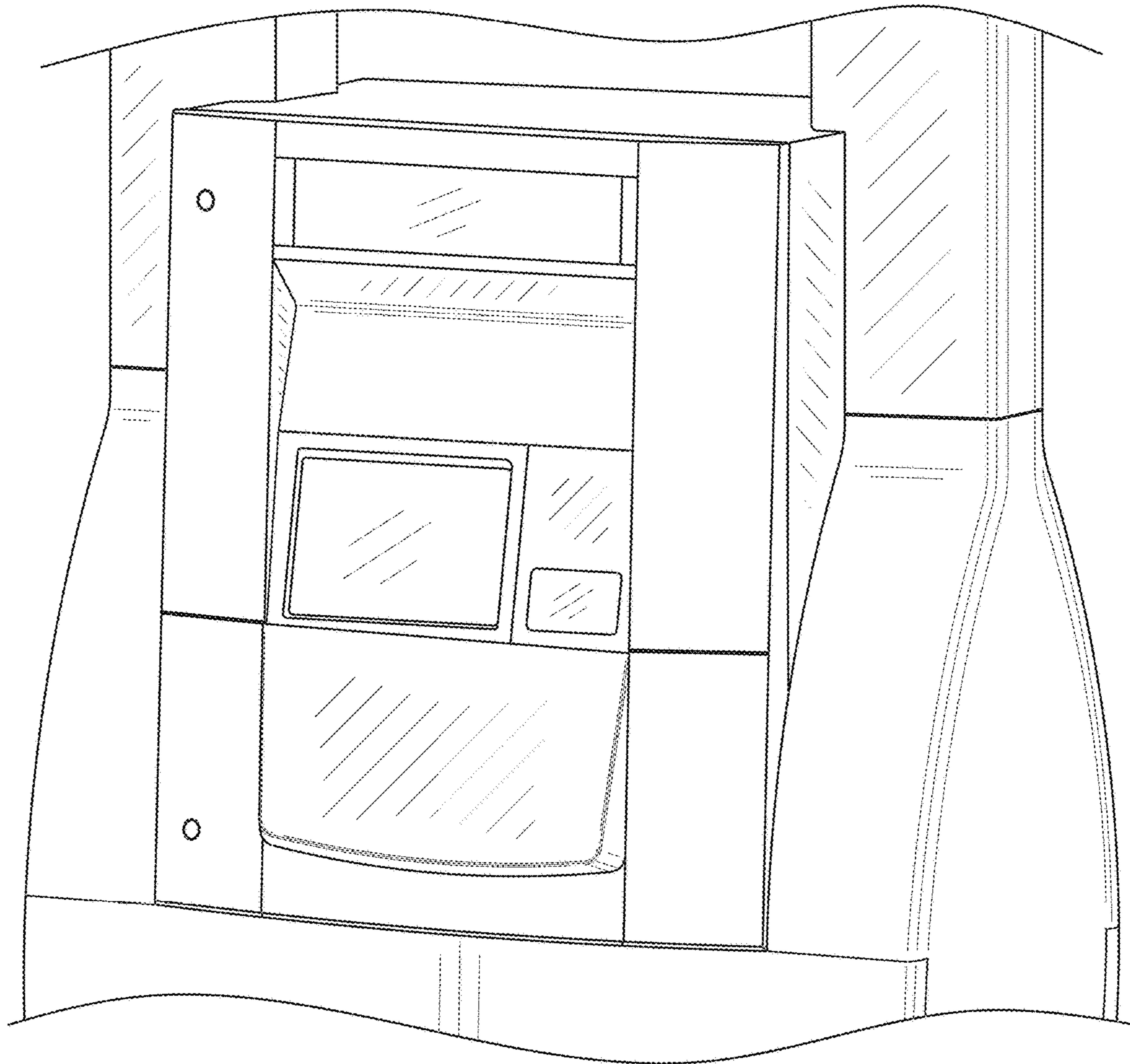


FIG. 6