



US00D810145S

(12) **United States Design Patent**
Sinico

(10) **Patent No.:** **US D810,145 S**

(45) **Date of Patent:** **** Feb. 13, 2018**

(54) **PUMP**

(71) Applicant: **DWT HOLDING S.P.A.**, Mestrino (IT)

(72) Inventor: **Francesco Sinico**, Montecchio
Maggiore (IT)

(73) Assignee: **DWT HOLDING S.P.A.**, Mestrino (IT)

(**) Term: **15 Years**

(21) Appl. No.: **29/505,299**

(22) Filed: **Sep. 8, 2015**

(30) **Foreign Application Priority Data**

Mar. 10, 2015 (EM) 002650085

(51) **LOC (11) Cl.** **15-02**

(52) **U.S. Cl.**
USPC **D15/7**

(58) **Field of Classification Search**

USPC D15/7-9; D23/231, 232, 225; 417/60,
417/235, 265, 321, 355, 358, 363, 359,
417/410.1, 415-416, 405, 900; 60/408,
60/412; 184/26-37; 415/140-147;
123/495, 509; 137/565.34

CPC F02M 37/04; F02M 37/14
See application file for complete search history.

(56) **References Cited**

U.S. PATENT DOCUMENTS

D289,402 S * 4/1987 Carlson D15/7
D351,602 S * 10/1994 Rosebraugh D15/7
D374,237 S * 10/1996 Wang D15/7
D404,040 S * 1/1999 Suthmann D15/7
D425,911 S * 5/2000 Fleischer D15/7
D464,362 S * 10/2002 Tsai D15/7
D466,522 S * 12/2002 Huang D15/7
D491,957 S * 6/2004 Fang D15/7

D492,324 S * 6/2004 Stevens D15/7
D498,242 S * 11/2004 Song D15/7
D500,770 S * 1/2005 Pohler D15/7
D510,363 S * 10/2005 Leone D15/7
D517,570 S * 3/2006 Stiles, Jr. D15/7
D536,705 S * 2/2007 Griffin D15/7
D541,818 S * 5/2007 Rhea D15/7
D556,780 S * 12/2007 Tazioli D15/7
D558,233 S * 12/2007 Itani D15/7
D565,600 S * 4/2008 Tazioli D15/7
D588,160 S * 3/2009 Beale D15/7
D590,420 S * 4/2009 Casalini D15/7
D590,842 S * 4/2009 Clark D15/7
D604,745 S * 11/2009 Sinico D15/7
D621,853 S * 8/2010 Sundheim D15/7
D630,229 S * 1/2011 Dreifert D15/7
D656,518 S * 3/2012 Varini D15/7
D675,650 S * 2/2013 Champ D15/7
D677,702 S * 3/2013 O'Shea D15/7
D678,338 S * 3/2013 O'Shea D15/7
D690,323 S * 9/2013 Burman D15/7

(Continued)

Primary Examiner — Ralf T Seifert

(74) *Attorney, Agent, or Firm* — Cantor Colburn LLP

(57) **CLAIM**

The ornamental design for a pump, as shown.

DESCRIPTION

FIG. 1 is a perspective view of a pump showing my new design;

FIG. 2 is a front view thereof;

FIG. 3 is a rear view thereof;

FIG. 4 is a left side view thereof;

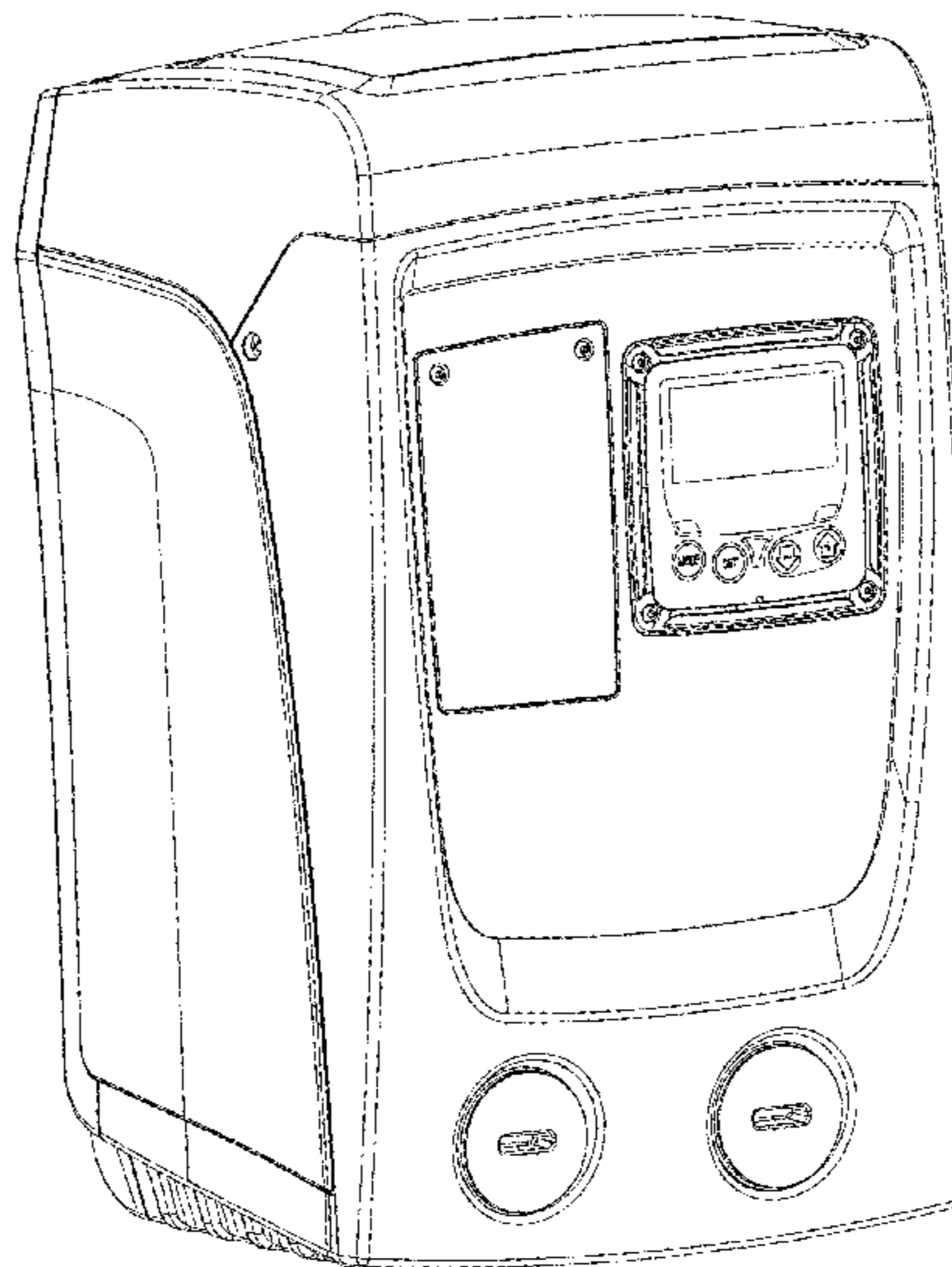
FIG. 5 is a right side view thereof;

FIG. 6 is a top view thereof; and,

FIG. 7 is a bottom view thereof.

The broken lines are included for the purpose of illustrating portions of the pump that form no part of the claimed design.

1 Claim, 7 Drawing Sheets



(56)

References Cited

U.S. PATENT DOCUMENTS

D700,213 S *	2/2014	Taniguchi	D15/7
D700,214 S *	2/2014	Taniguchi	D15/7
D700,624 S *	3/2014	Taniguchi	D15/7
D700,916 S *	3/2014	Kieffer	D15/7
D708,648 S *	7/2014	Orsini	D15/7
D738,402 S *	9/2015	Nelson	D15/7
D740,329 S *	10/2015	Gilbert	D15/7
D744,004 S *	11/2015	Sacchetti	D15/7
D757,825 S *	5/2016	Chevallier	D15/7

* cited by examiner

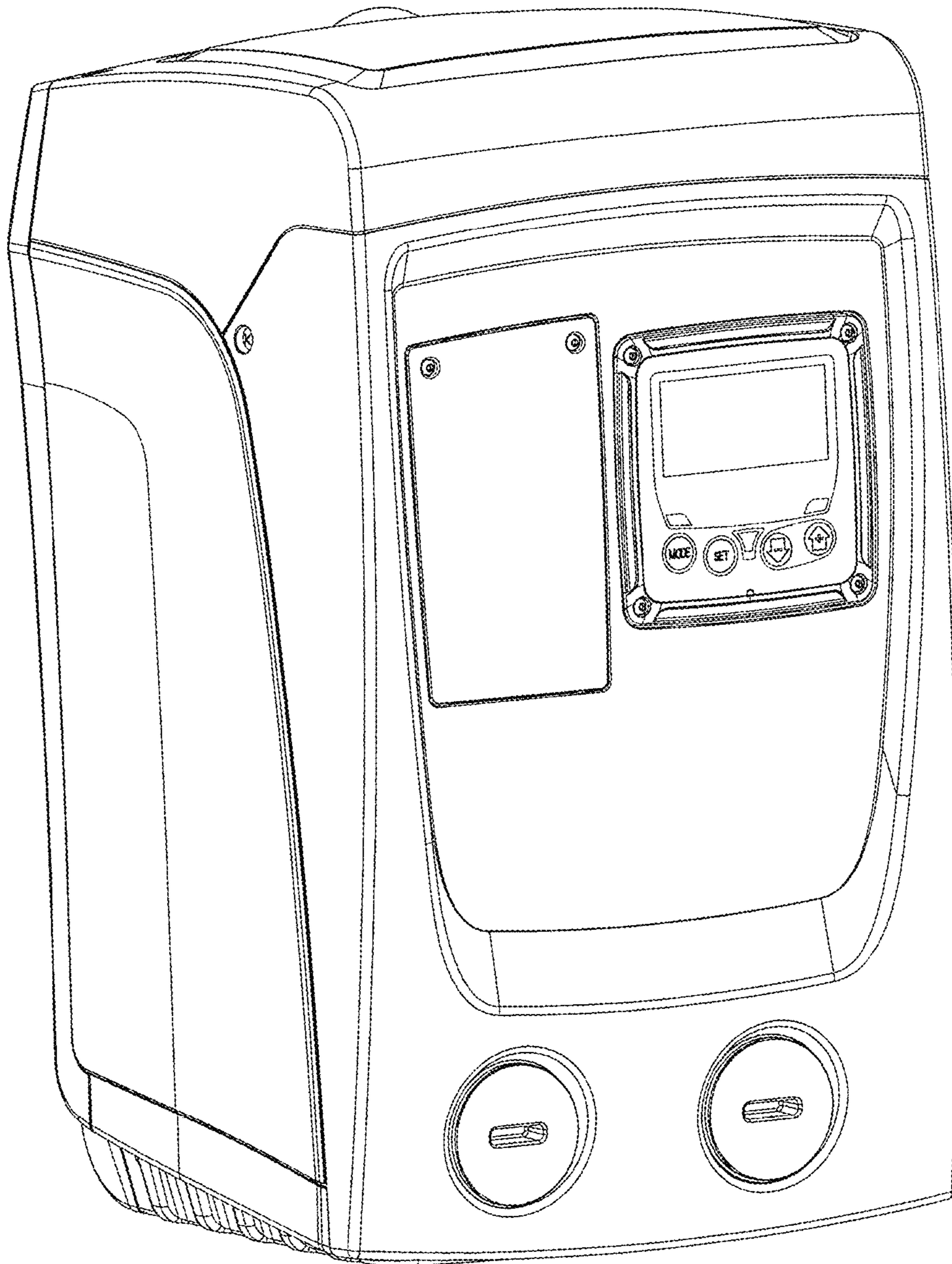


Fig. 1

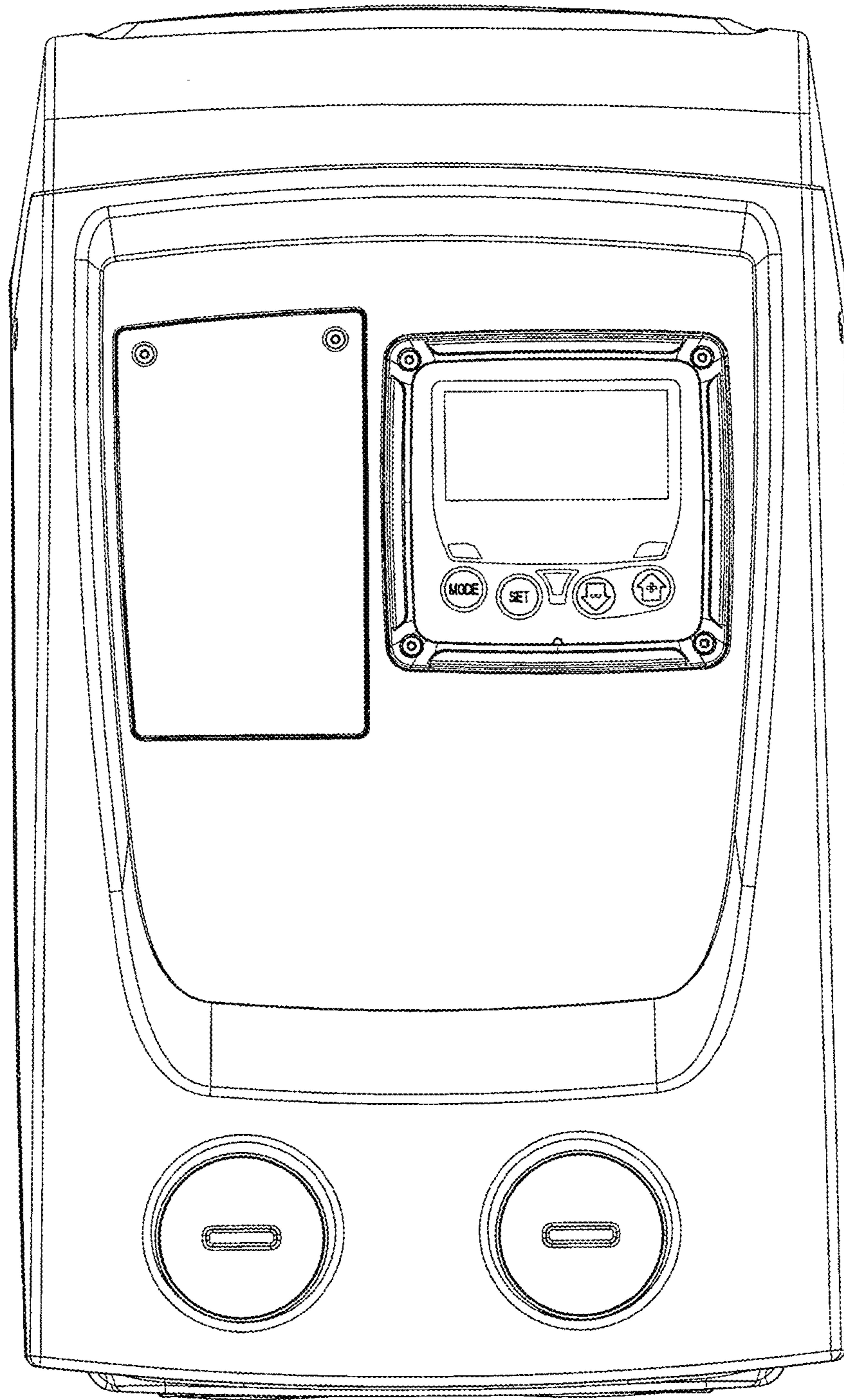


Fig. 2

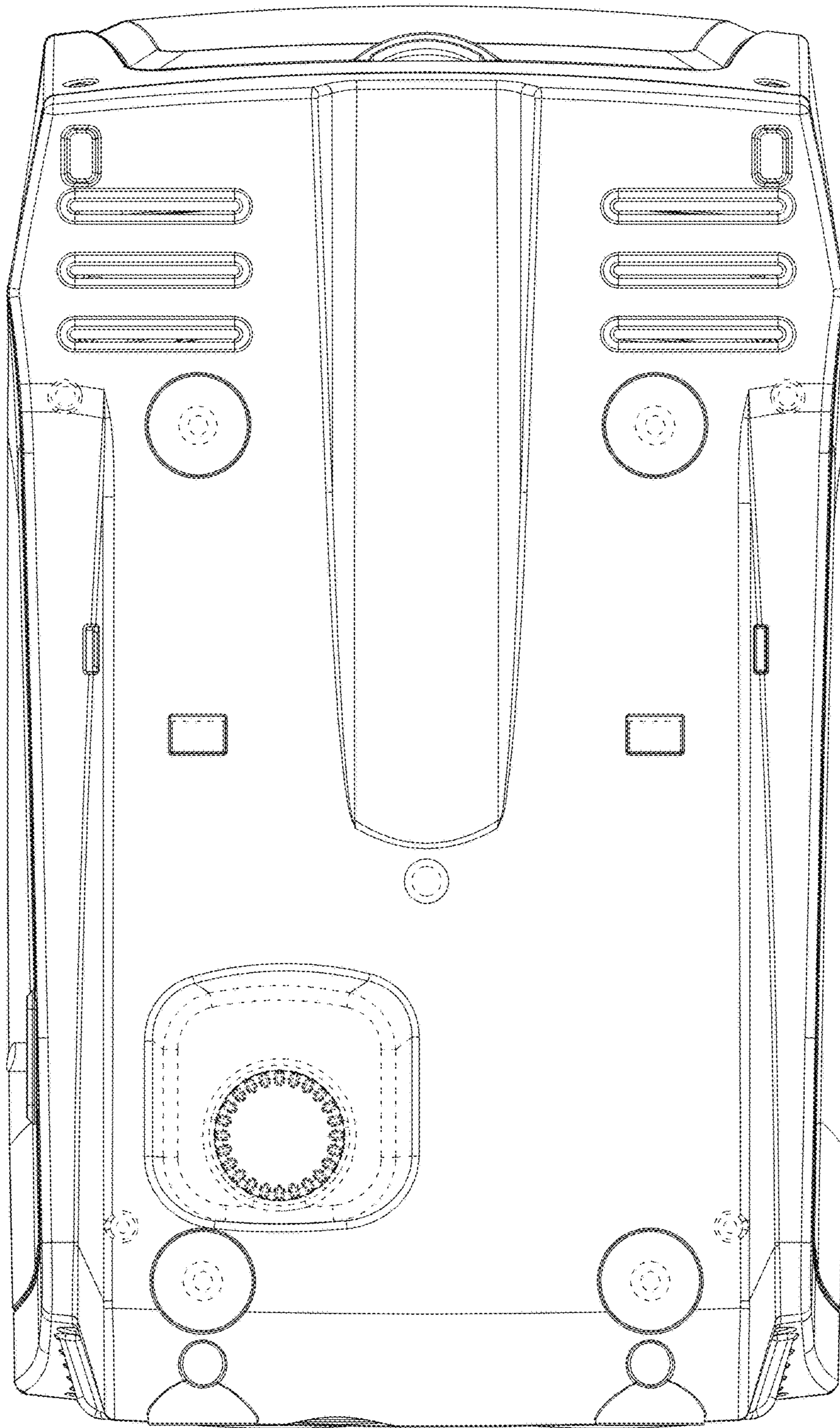


Fig. 3

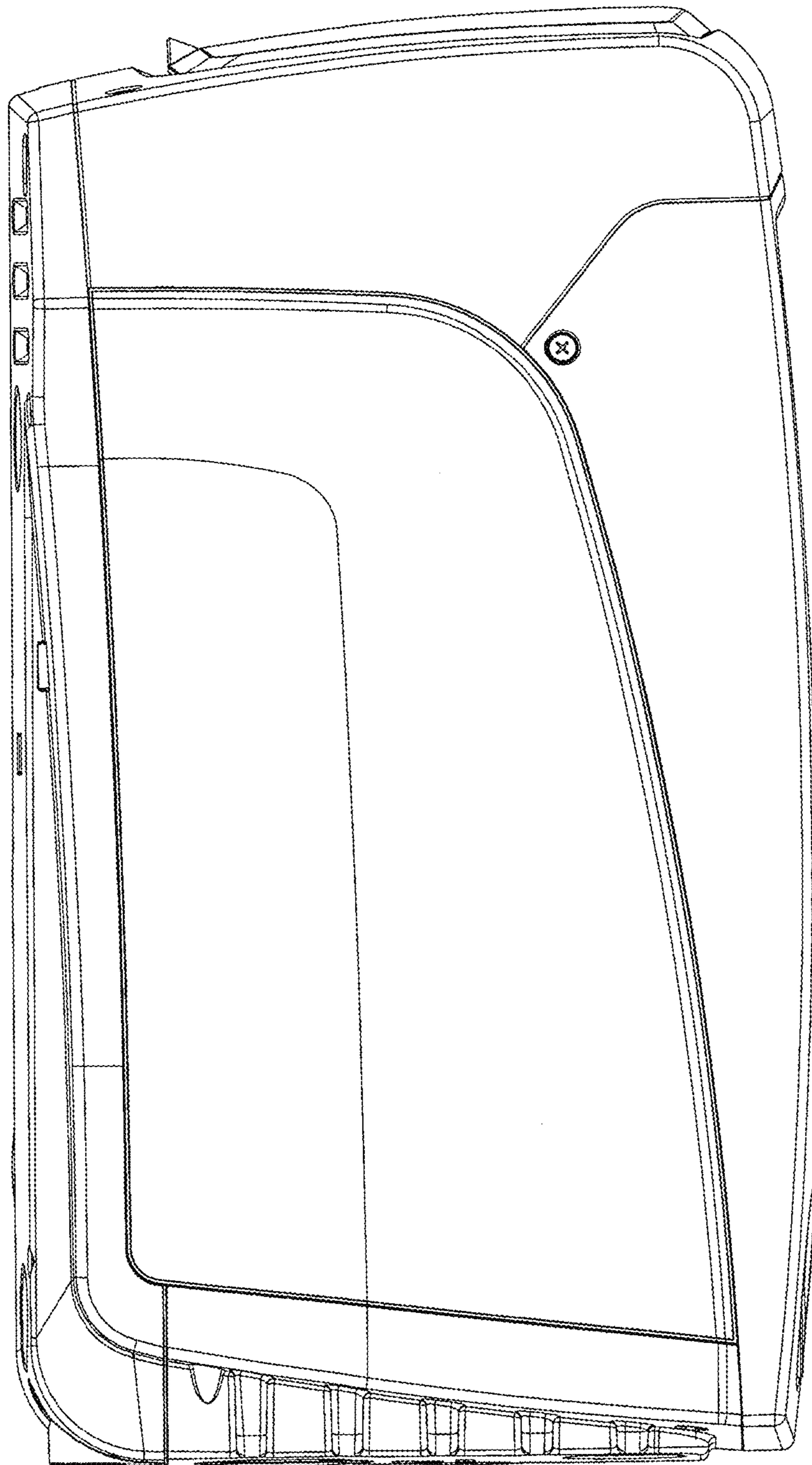


Fig. 4

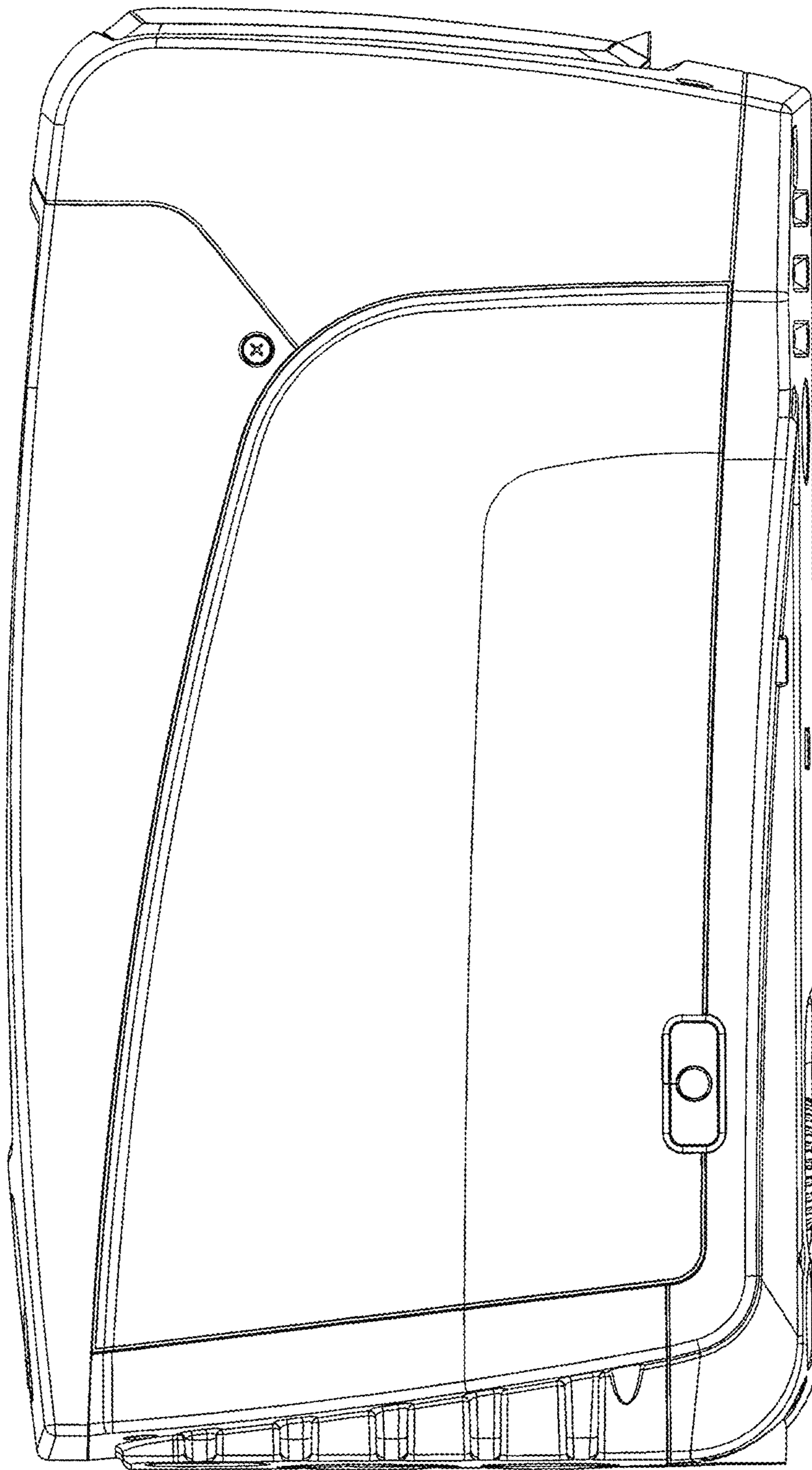


Fig. 5

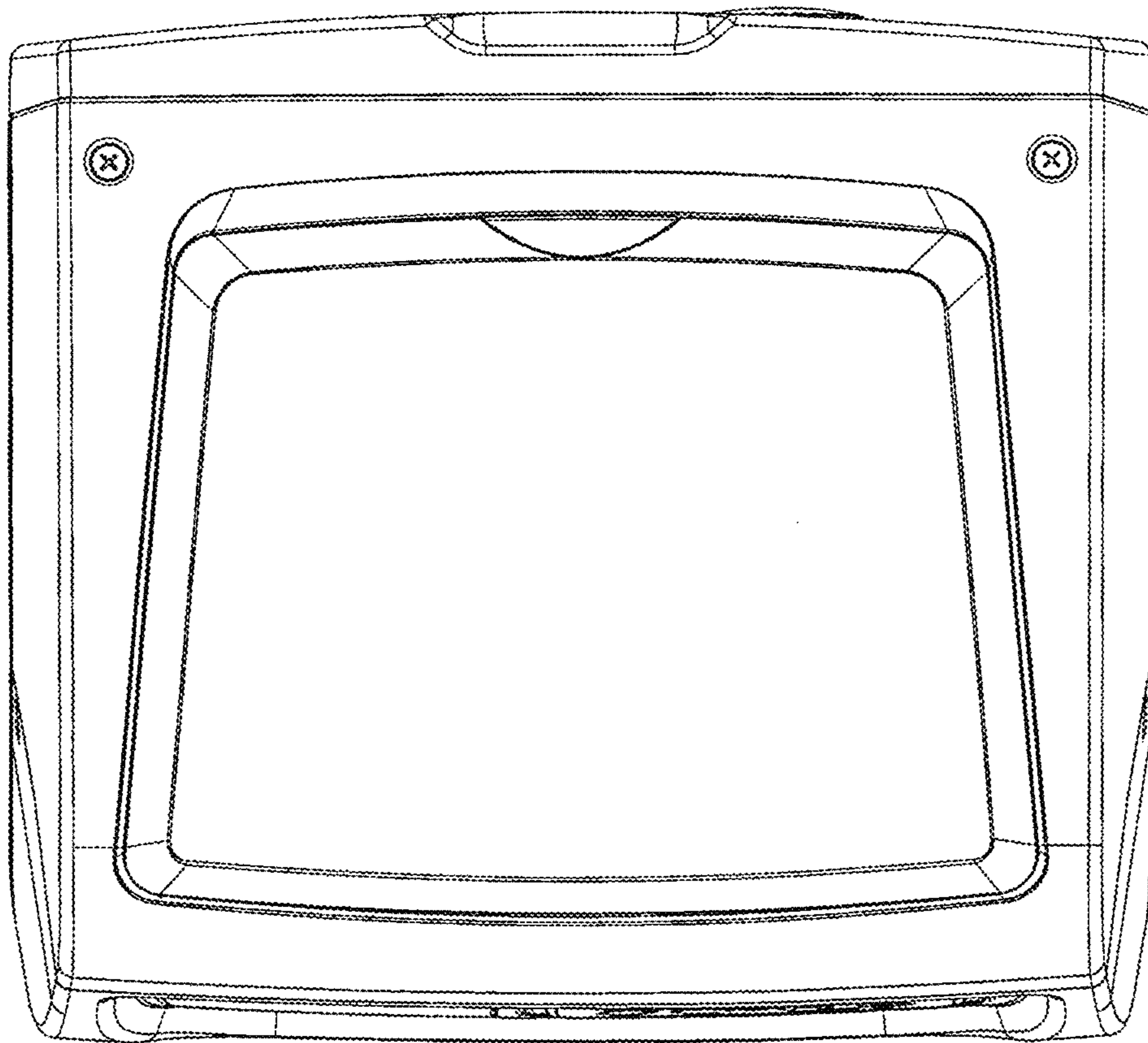


Fig. 6

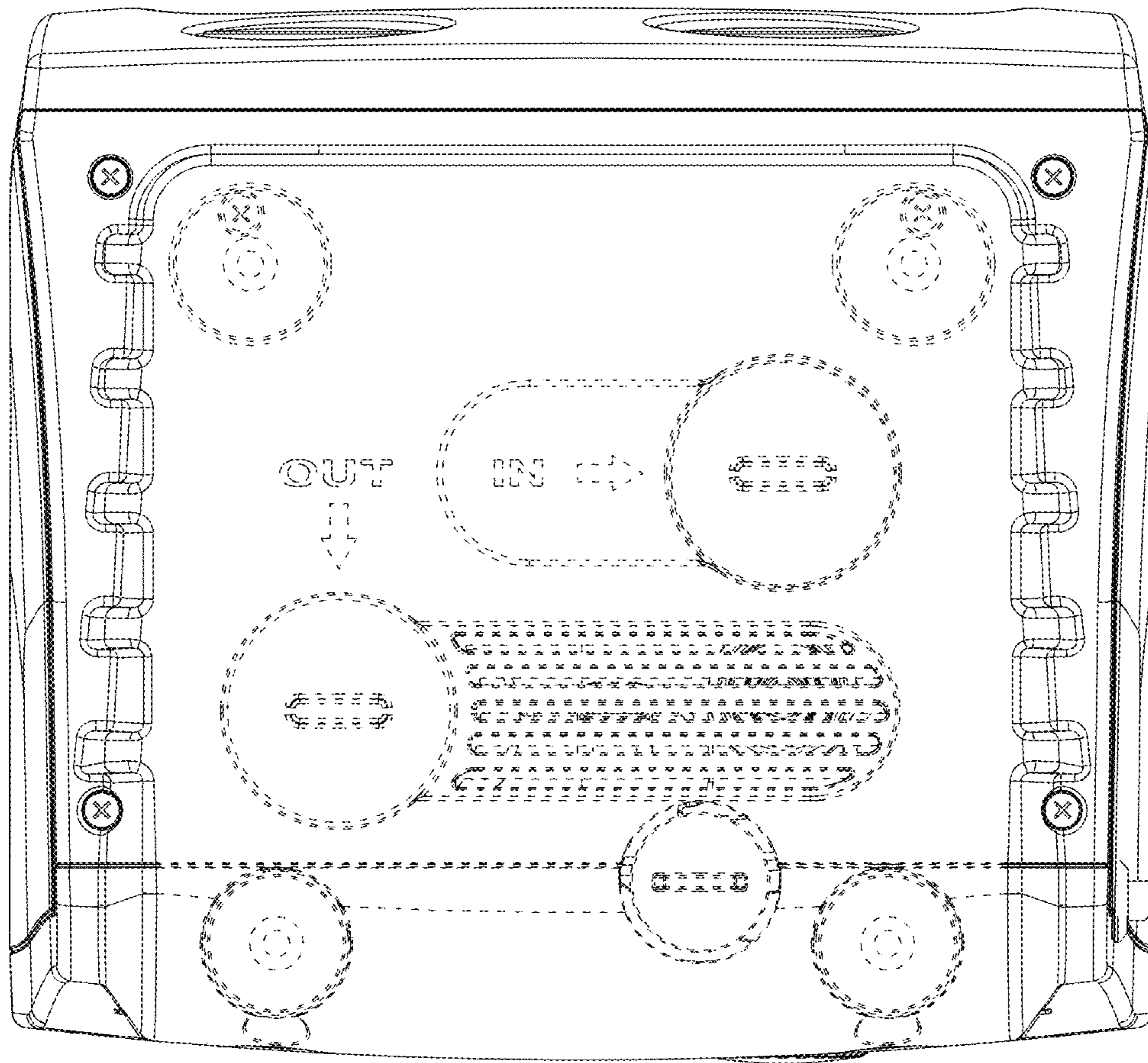


Fig. 7