



US00D810142S

(12) **United States Design Patent** (10) **Patent No.:** **US D810,142 S**
Shehan et al. (45) **Date of Patent:** **** Feb. 13, 2018**

(54) **EFI THROTTLE BODY** 4,294,282 A 10/1981 McCabe et al.
4,306,441 A 12/1981 Dodson
(71) Applicant: **Holley Performance Products Inc.,** 4,318,214 A 3/1982 Dodson
Bowling Green, KY (US) 4,325,339 A 4/1982 Bier et al.
(Continued)

(72) Inventors: **Laura Shehan**, Bowling Green, KY (US); **Jonathan Sams**, Woodburn, KY (US); **Adam Layman**, Alvaton, KY (US); **Douglas Flynn**, Bowling Green, KY (US); **Amy Gieske**, Loogootee, IN (US)

FOREIGN PATENT DOCUMENTS

AU 201710470 2/2017
AU 201710471 2/2017
(Continued)

(73) Assignee: **Holley Performance Products, Inc.,**
Bowling Green, KY (US)

OTHER PUBLICATIONS

Transmittal Letter of Related Cases.
Design U.S. Appl. No. 29/572,692 entitled "EFI Throttle Body"
filed Jul. 29, 2016.

(**) Term: **15 Years**

Primary Examiner — T. Chase Nelson
Assistant Examiner — Ania Aman

(21) Appl. No.: **29/572,684**

(74) *Attorney, Agent, or Firm* — Middleton Reutlinger

(22) Filed: **Jul. 29, 2016**

(51) **LOC (11) Cl.** **15-01**

(52) **U.S. Cl.** **D15/5**
USPC **D15/5**

(57) **CLAIM**

We claim the ornamental design for an EFI throttle body, as shown and described.

(58) **Field of Classification Search**
USPC D15/1-6
CPC F02M 1/00; F02M 13/00; F02M 17/00;
F02M 37/00; F02M 7/17; F02M 69/52;
F02M 69/043; F02M 69/462; F02M
51/005; F02M 63/0056; F02M 63/02;
F02M 71/00; F02M 61/145; F02M
63/0275; F02M 63/0047; F02D 9/1035;
F02D 35/0092; F02D 35/0053
See application file for complete search history.

DESCRIPTION

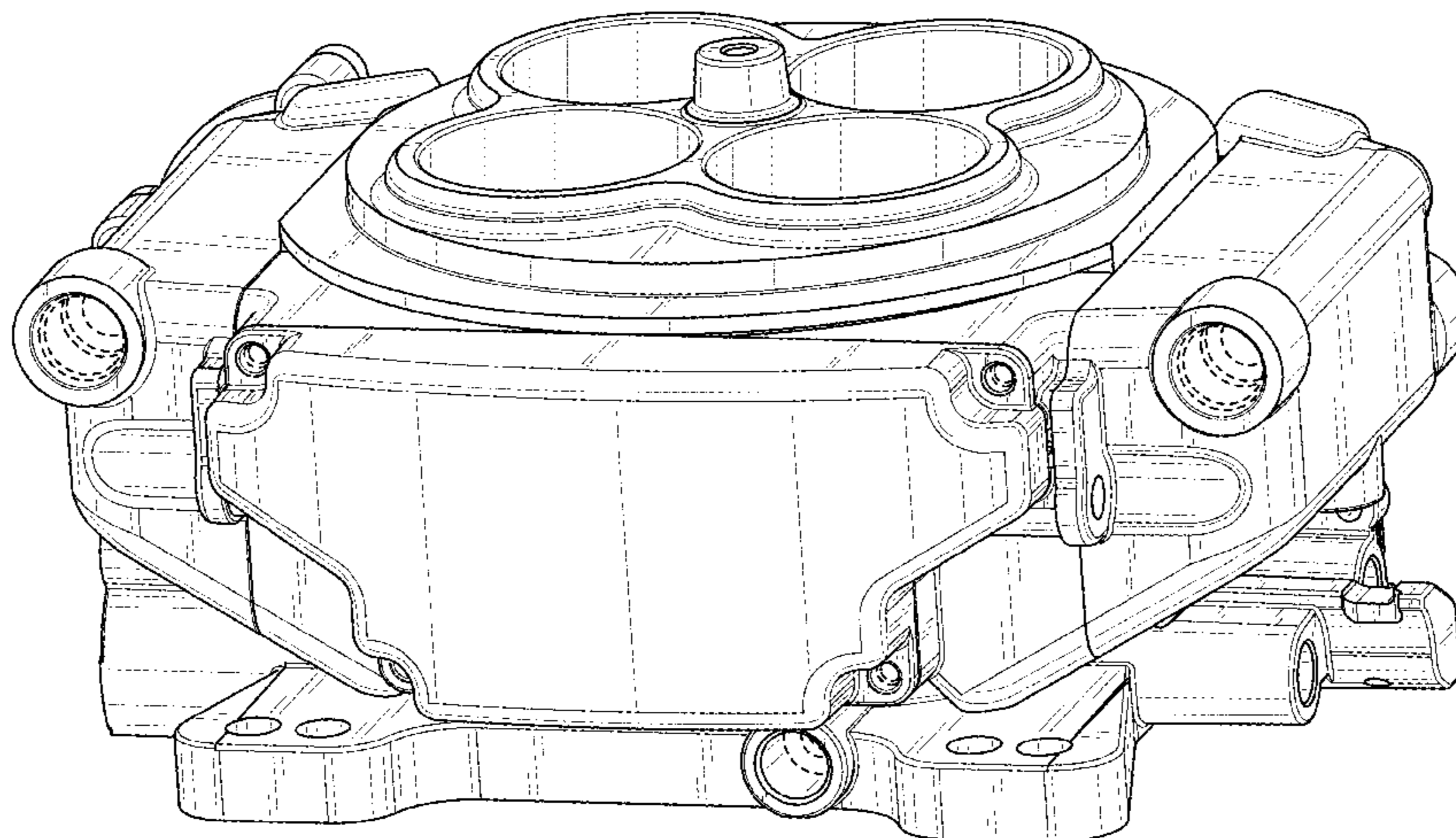
FIG. 1 is a front perspective view of an EFI throttle body showing my new design.
FIG. 2 is a front elevational view thereof;
FIG. 3 is a back elevational view thereof;
FIG. 4 is a left side elevational view thereof;
FIG. 5 is a right side elevational view thereof;
FIG. 6 is a top plan view thereof;
FIG. 7 is a bottom plan view thereof; and,
FIG. 8 is a rear elevational view thereof.
The broken lines in the drawings illustrate unclaimed environmental structure as well as the boundaries of the claimed design. The broken lines, as well as the boundaries and structure they depict, form no part of the claimed design.

(56) **References Cited**

U.S. PATENT DOCUMENTS

3,104,272 A * 9/1963 Carlson F02M 1/00
261/23.2
3,294,374 A * 12/1966 Smith F02M 1/10
123/579
4,224,908 A 9/1980 Bier et al.
4,230,645 A 10/1980 Dodson

1 Claim, 8 Drawing Sheets



(56)

References Cited

U.S. PATENT DOCUMENTS

4,348,338 A * 9/1982 Martinez F02M 3/08
123/518

4,357,283 A 11/1982 Manning

4,434,762 A 3/1984 McCabe et al.

4,434,763 A 3/1984 McCabe et al.

4,556,032 A 12/1985 Miller

5,667,730 A * 9/1997 Barfield F02M 1/16
261/18.3

5,807,512 A * 9/1998 Grant F02M 9/14
261/23.2

5,809,972 A * 9/1998 Grant F02M 71/00
123/472

5,863,470 A * 1/1999 Grant F02M 9/14
261/23.2

6,120,007 A * 9/2000 Grant F02M 9/14
261/23.2

D447,147 S 8/2001 Grant

6,286,817 B1 * 9/2001 Grant F02M 5/12
116/276

6,481,698 B1 11/2002 Calvin et al.

6,874,768 B2 4/2005 Grant

D508,496 S * 8/2005 Grant D15/6

7,255,331 B2 8/2007 Grant

7,533,661 B2 5/2009 Baasch

7,591,245 B2 9/2009 Baasch et al.

7,658,177 B2 2/2010 Baasch et al.

7,735,475 B2 * 6/2010 Farrell F02M 35/10032
123/336

D619,621 S * 7/2010 Braswell D15/6

D655,311 S 3/2012 Gieske et al.

D659,714 S 5/2012 Gieske et al.

9,115,671 B2 8/2015 Benoit

D748,149 S * 1/2016 Laws D15/6

9,303,578 B2 * 4/2016 Wittkopf F02D 41/08

9,376,997 B1 6/2016 Farrell et al.

D760,804 S * 7/2016 Shehan D15/6

9,482,198 B1 * 11/2016 Farrell F02M 69/52

2004/0155367 A1 8/2004 Grant

2005/0082694 A1 4/2005 Grant

2005/0110170 A1 5/2005 Grant

2006/0244158 A1 11/2006 Grant

2007/0013086 A1 * 1/2007 Cooper F02M 5/12
261/70

2008/0110435 A1 5/2008 Baasch et al.

2008/0110436 A1 5/2008 Baasch et al.

2008/0302326 A1 12/2008 Grant

2009/0101104 A1 4/2009 Baasch et al.

2009/0145406 A1 * 6/2009 Farrell F02M 35/10032
123/470

2010/0077993 A1 * 4/2010 Satterfield F02M 13/00
123/439

2013/0298868 A1 * 11/2013 Wittkopf F02D 41/08
123/339.14

2013/0298871 A1 * 11/2013 Bennett F02M 35/10216
123/445

2014/0123944 A1 * 5/2014 Benoit F02M 17/34
123/445

2015/0108256 A1 4/2015 Flynn et al.

FOREIGN PATENT DOCUMENTS

CA 2391589 5/2001

CN 01568711 10/2009

EP 003729599 1/2017

WO 0136804 5/2001

WO 2008061065 5/2008

* cited by examiner

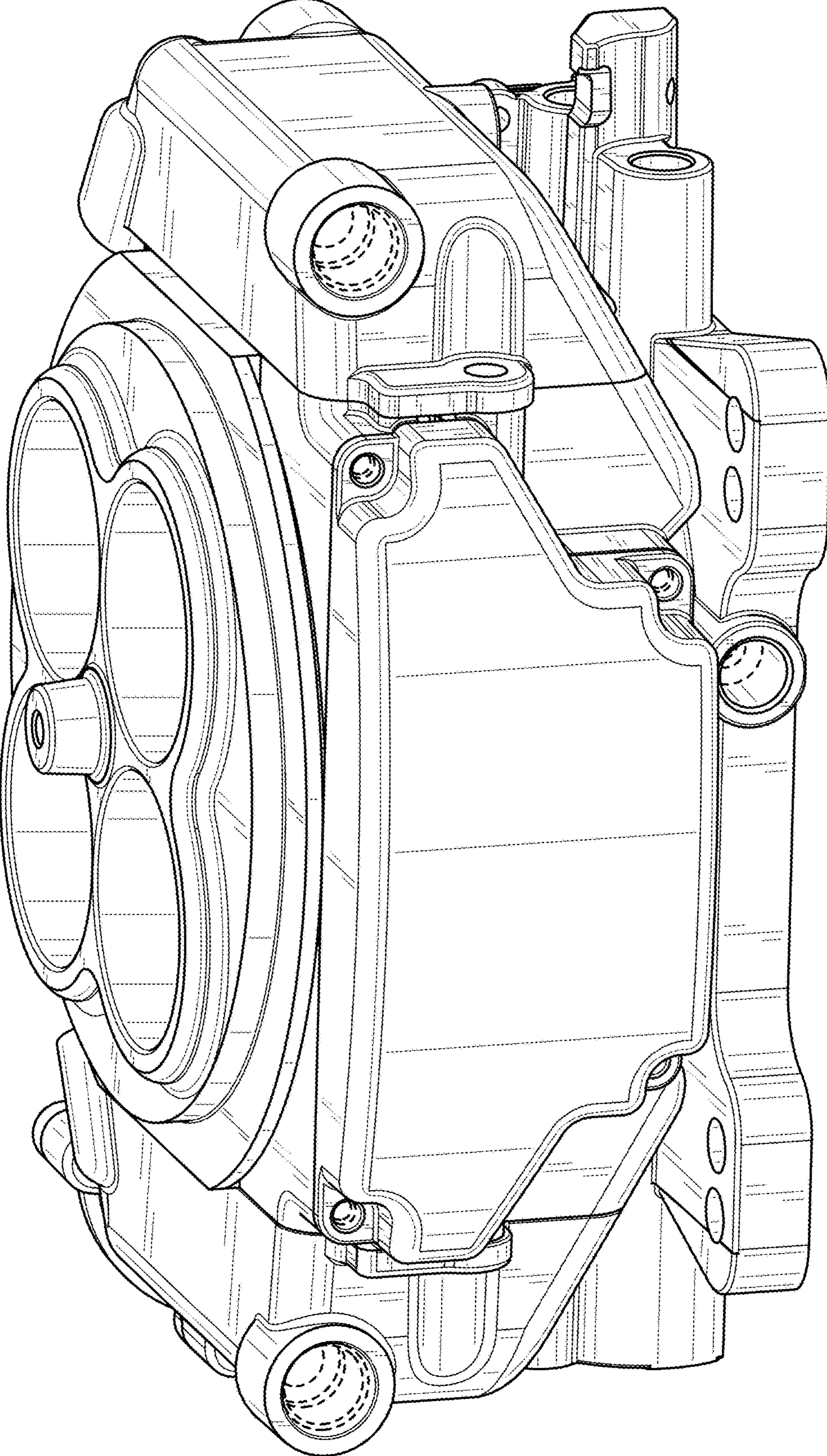


FIG. 1

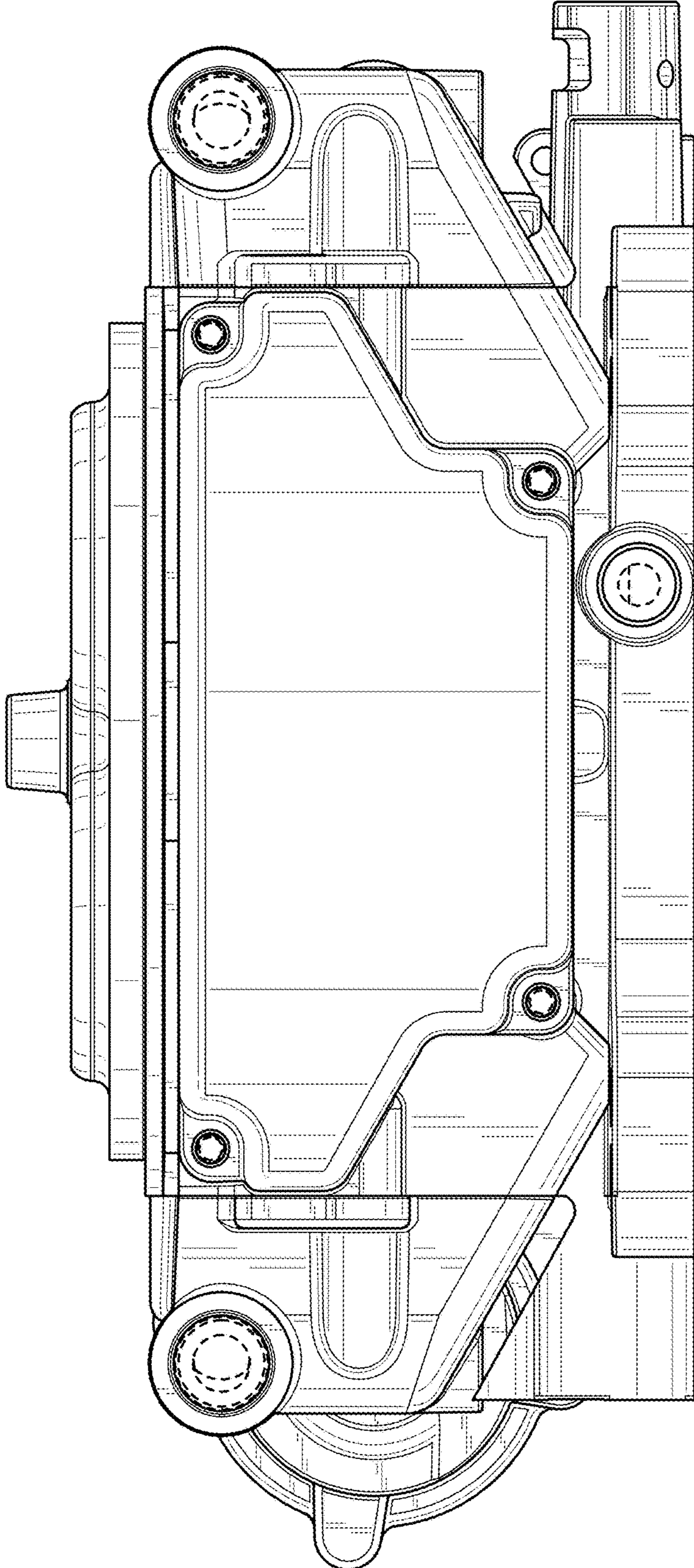


FIG. 2

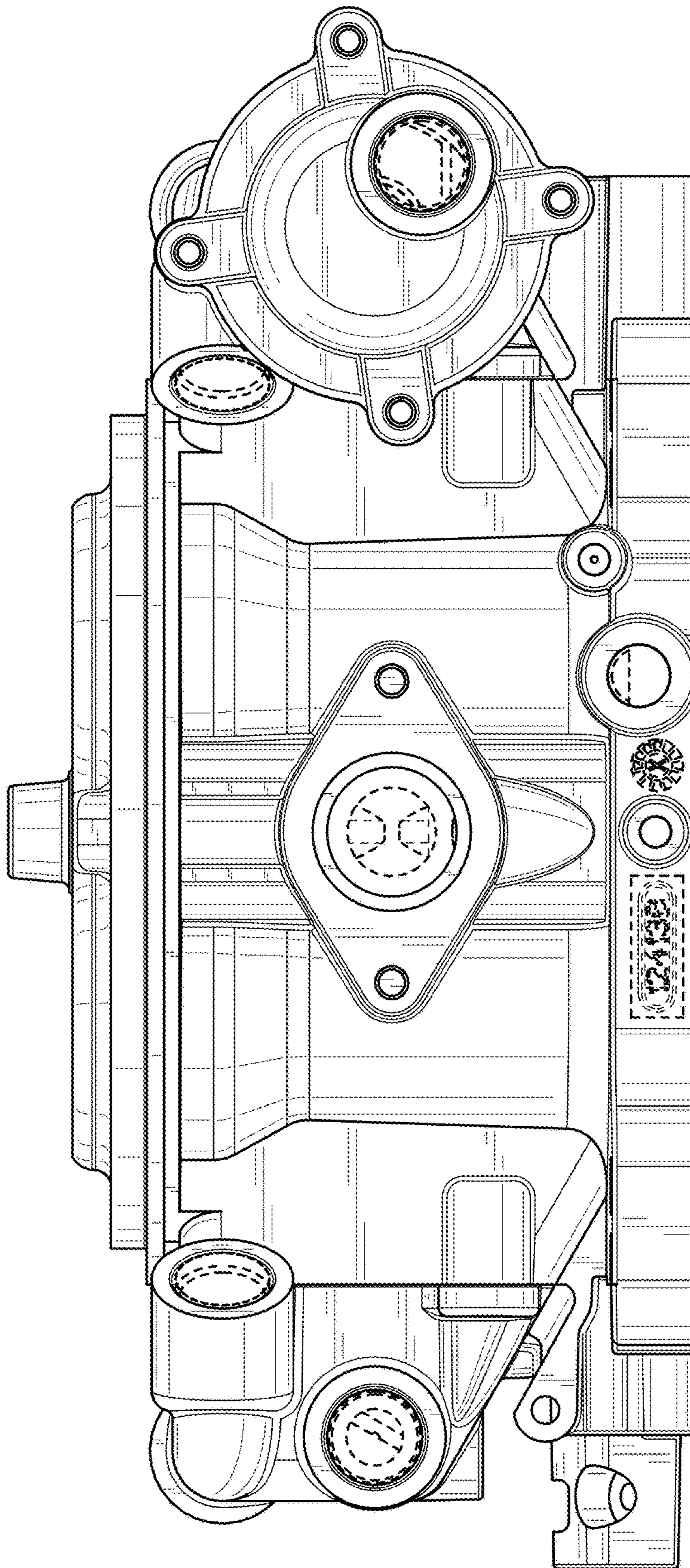


FIG. 3

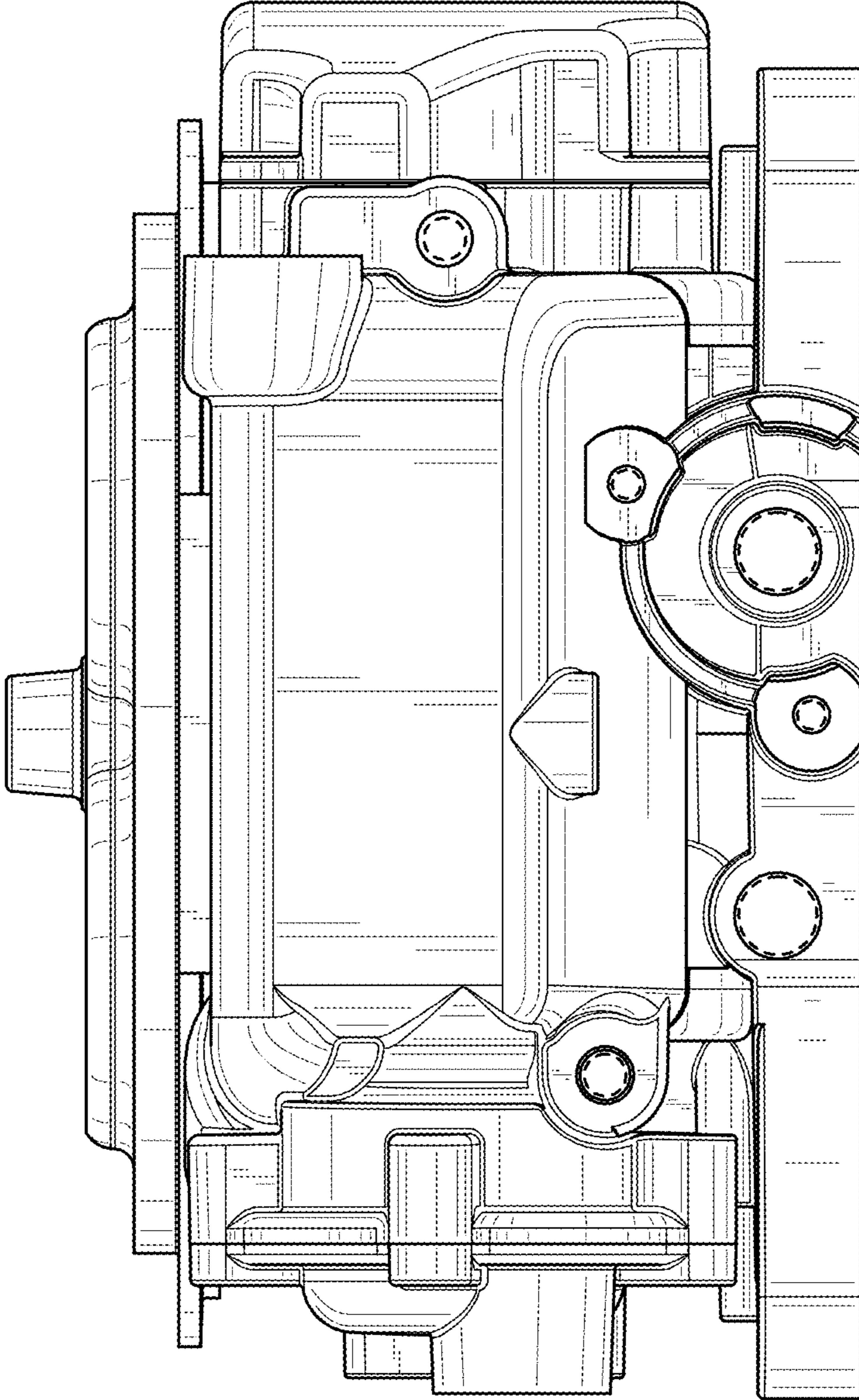


FIG. 4

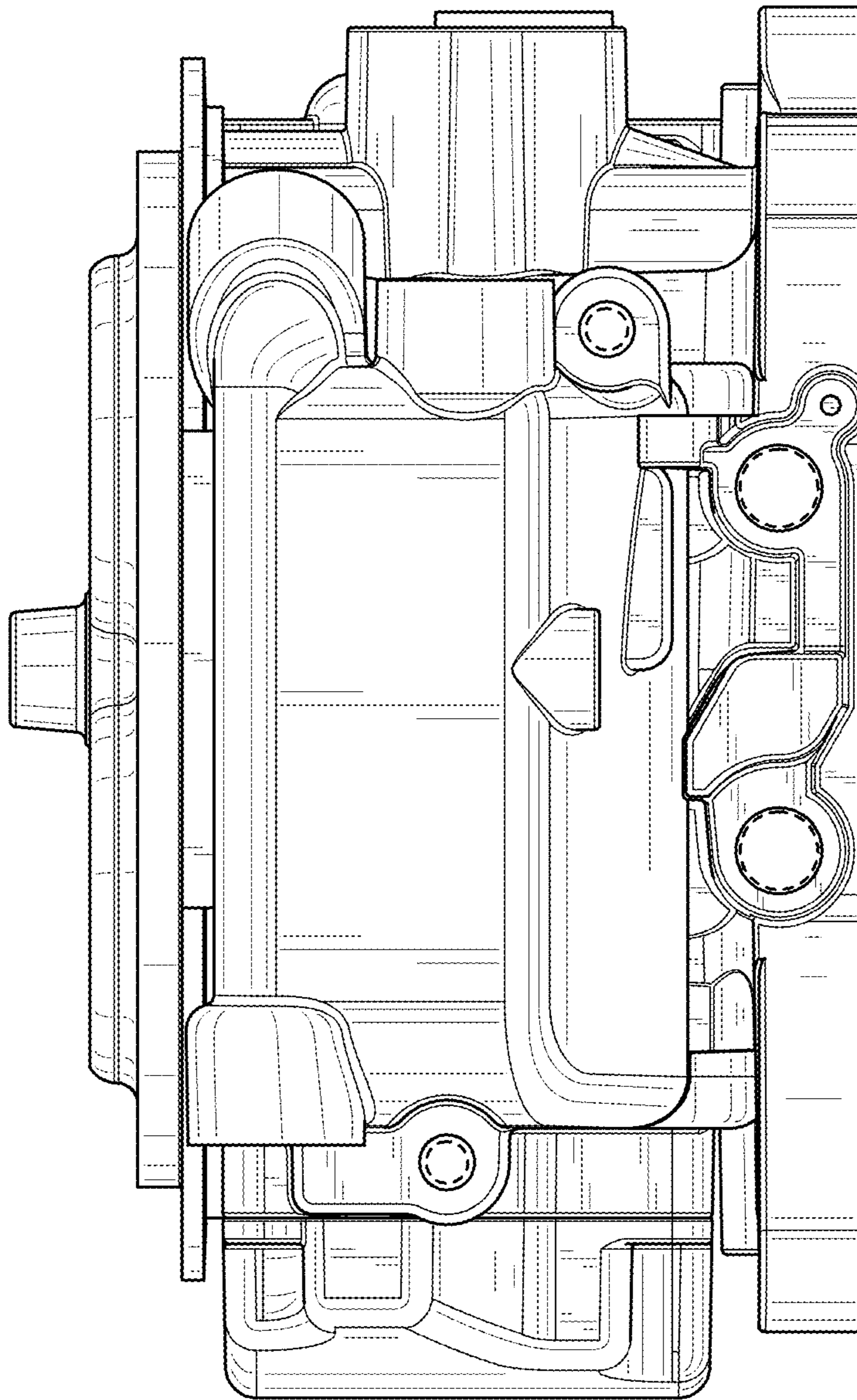


FIG. 5

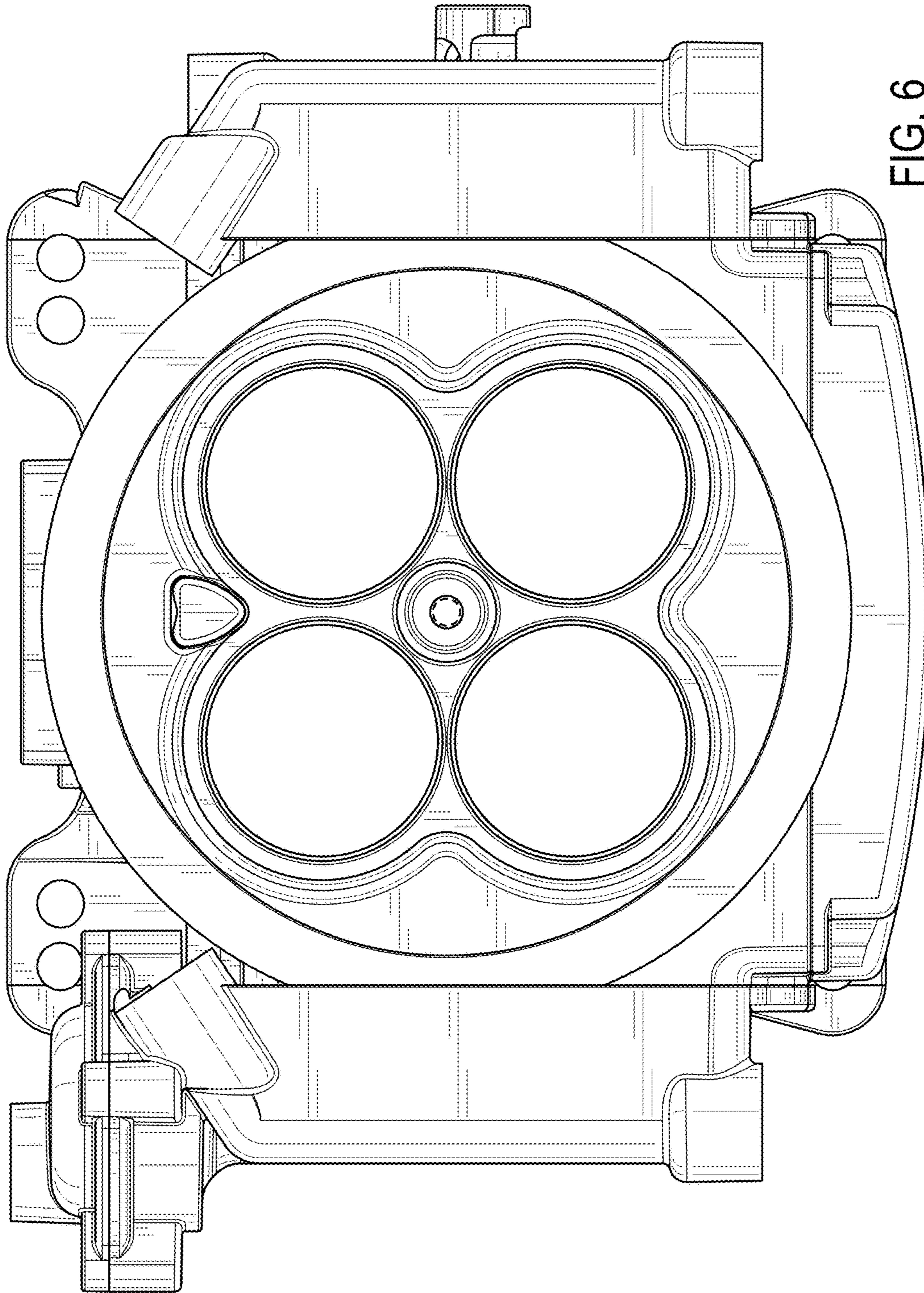


FIG. 6

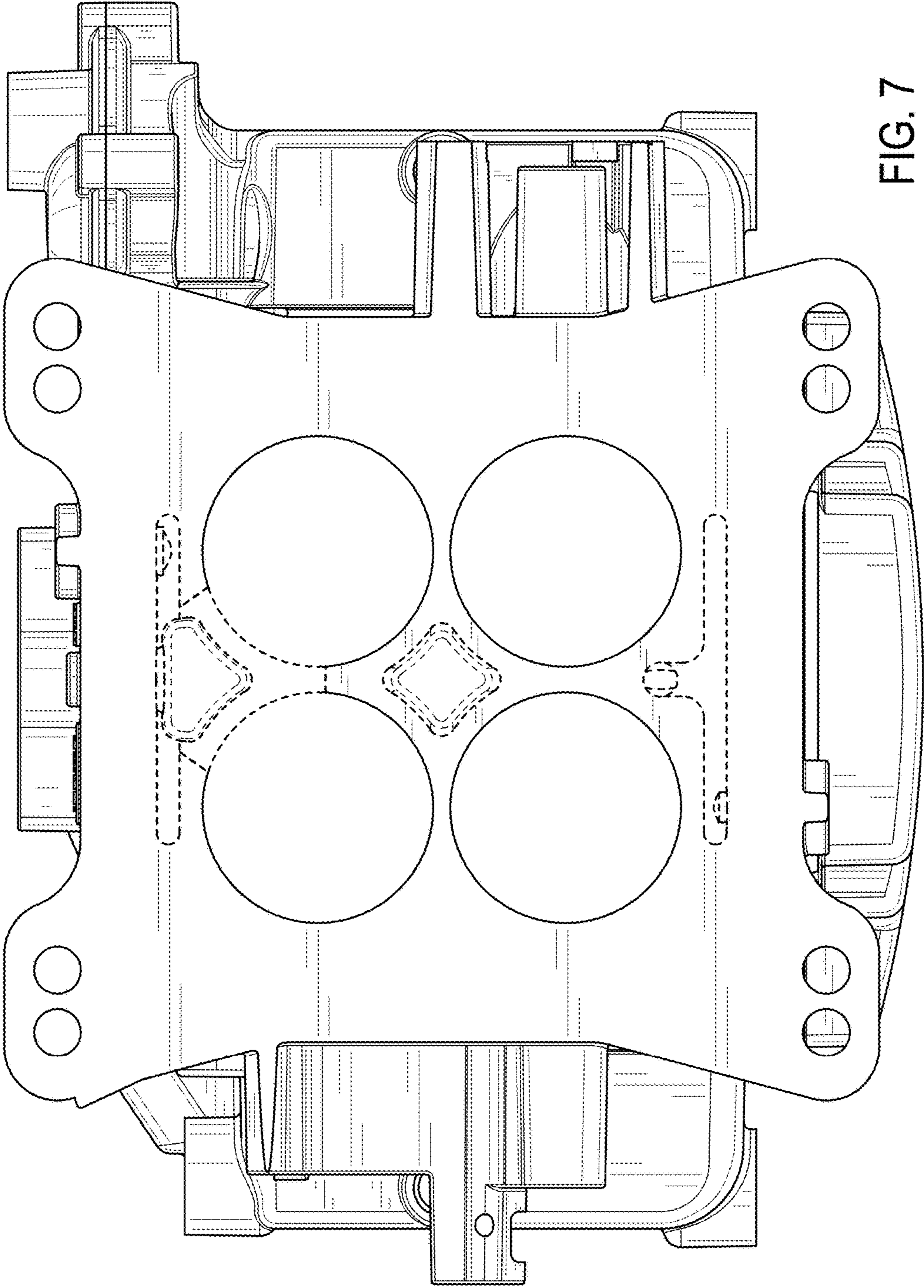


FIG. 7

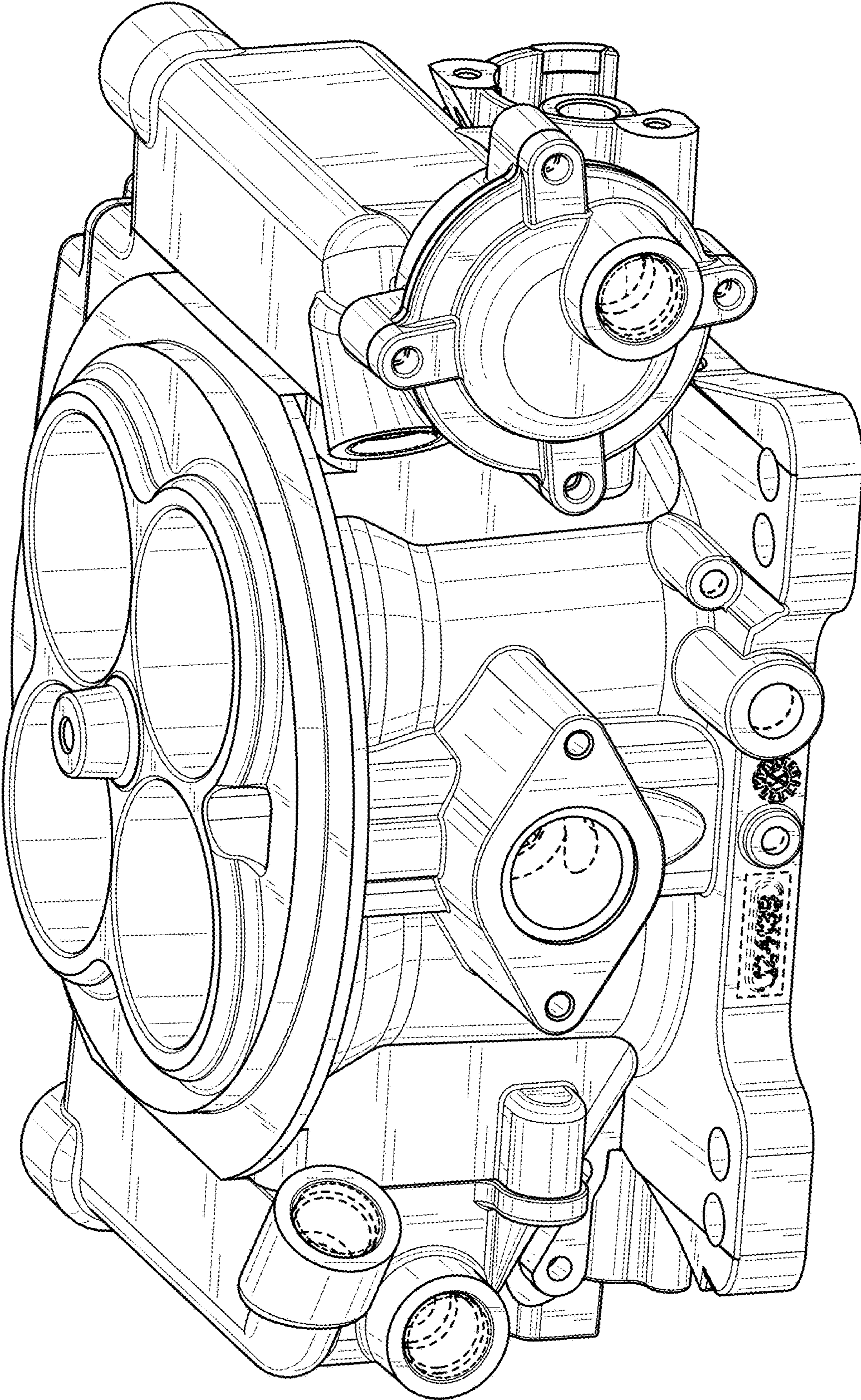


FIG. 8