



US00D810140S

(12) **United States Design Patent** (10) **Patent No.:** **US D810,140 S**  
**Alfes et al.** (45) **Date of Patent:** **\*\* Feb. 13, 2018**

(54) **CONCENTRIC SHOVELED MANIFOLD**  
(71) Applicant: **SIEMENS**  
**AKTIENGESELLSCHAFT, München**  
**(DE)**  
(72) Inventors: **Ludger Alfes, Dorsten (DE); Wolfgang**  
**Freund, Gelsenkirchen (DE)**  
(73) Assignee: **SIEMENS**  
**AKTIENGESELLSCHAFT (DE)**

D729,855 S 5/2015 Johansson  
D730,419 S 5/2015 Pungetti et al.  
D757,829 S 5/2016 Dallimore et al.  
2004/0123861 A1\* 7/2004 Moskwa ..... F23J 11/00  
126/312  
2005/0205318 A1\* 9/2005 Abe ..... B62M 27/02  
180/186  
2015/0337780 A1\* 11/2015 Kanzaka ..... F02B 37/00  
415/203

(\*\*) Term: **15 Years**

(21) Appl. No.: **29/532,394**

(22) Filed: **Jul. 7, 2015**

(30) **Foreign Application Priority Data**

Jan. 9, 2015 (EM) ..... 001427991

(51) **LOC (11) Cl.** ..... **15-01**

(52) **U.S. Cl.**  
USPC ..... **D15/5**

(58) **Field of Classification Search**  
USPC ..... D15/1-5; D23/266, 263; D32/31  
CPC ..... F02M 35/10091; F02M 35/10222; F02M  
35/10295; F02M 35/10321; F02M  
35/10262; F02M 35/104; F02M  
35/10354; F02M 35/116; F02M  
35/10052; F02M 35/10078; F02C 7/04;  
F04D 29/4213; F04D 29/441; F04D  
29/541; F04D 29/667  
See application file for complete search history.

(56) **References Cited**

**U.S. PATENT DOCUMENTS**

2,374,815 A \* 5/1945 Haas, Jr. .... F16L 41/02  
138/161  
4,363,681 A \* 12/1982 Williams ..... F16L 59/22  
138/149

**OTHER PUBLICATIONS**

Notice of Allowance for U.S. Appl. No. 29/532,395, dated Oct. 16, 2017.

\* cited by examiner

*Primary Examiner* — T. Chase Nelson  
*Assistant Examiner* — Ania Aman  
(74) *Attorney, Agent, or Firm* — Schmeiser Olsen & Watts LLP

(57) **CLAIM**

The ornamental design for a concentric shoveled manifold, as shown and described.

**DESCRIPTION**

FIG. 1 is a front view of a concentric shoveled manifold showing the new design;  
FIG. 2 is a rear view thereof;  
FIG. 3 is a top view thereof;  
FIG. 4 is a bottom view thereof;  
FIG. 5 is a right elevational view thereof;  
FIG. 6 is a left elevational view thereof; and,  
FIG. 7 is a perspective view thereof.

**1 Claim, 7 Drawing Sheets**

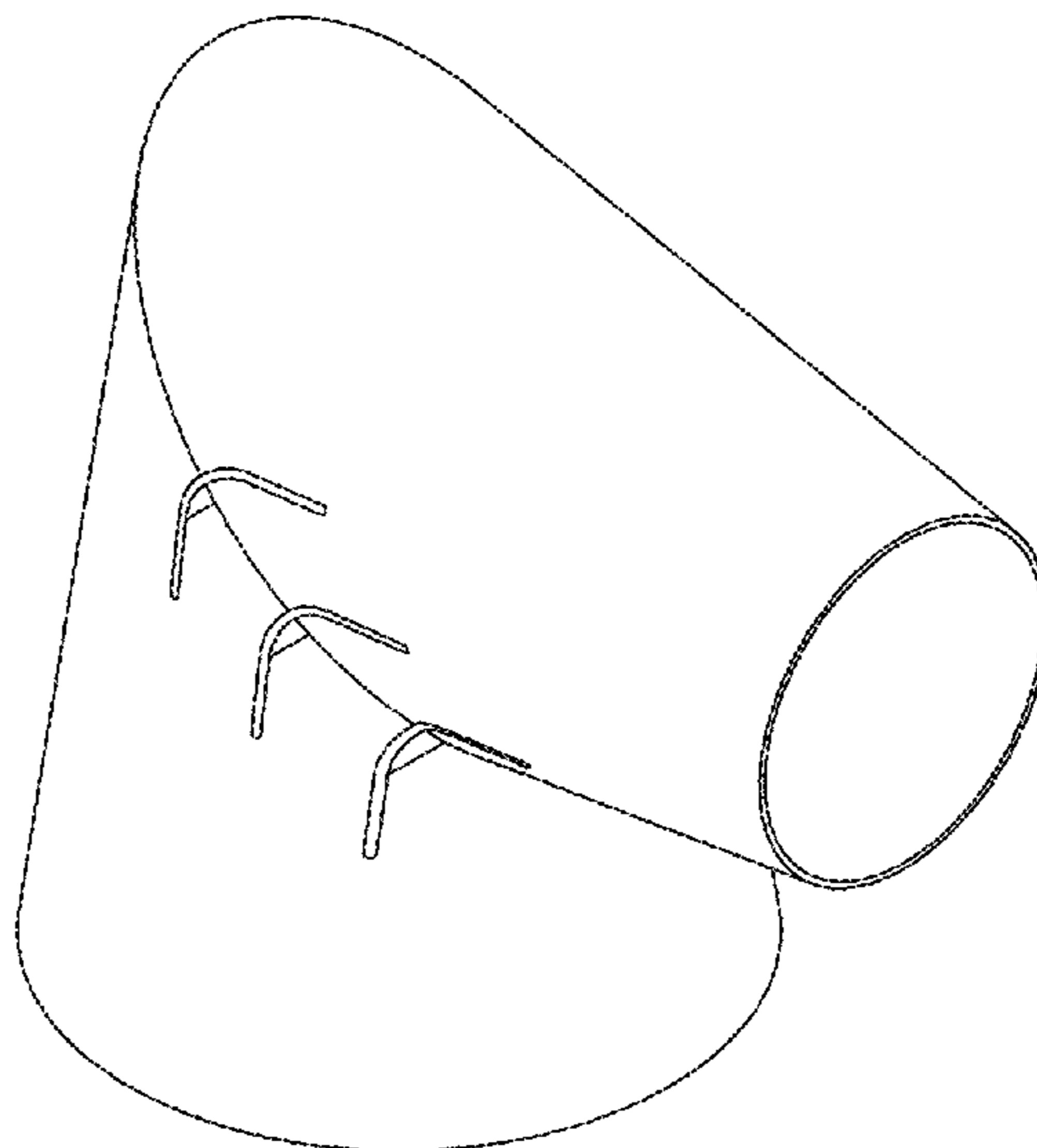


FIG. 1

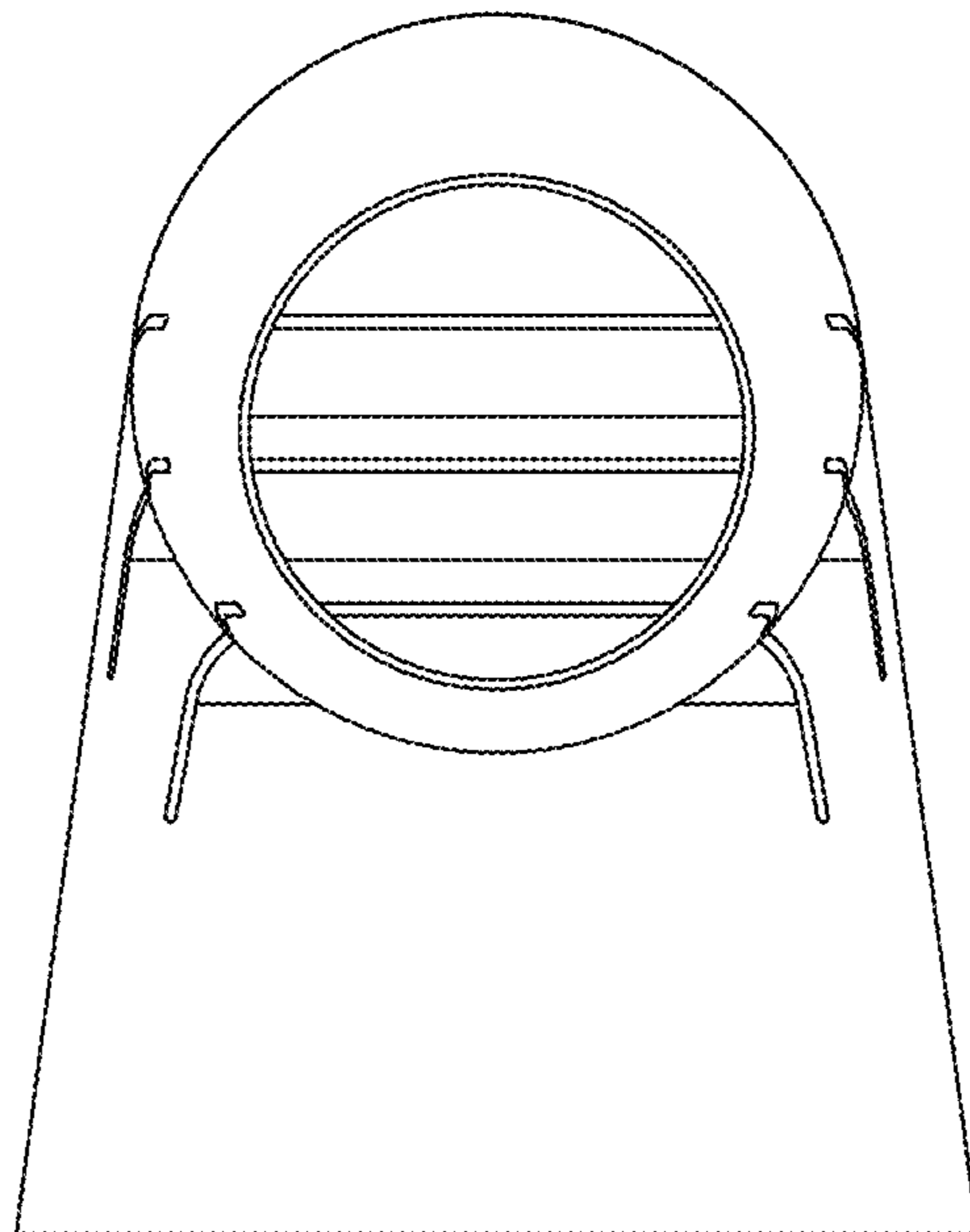


FIG. 2

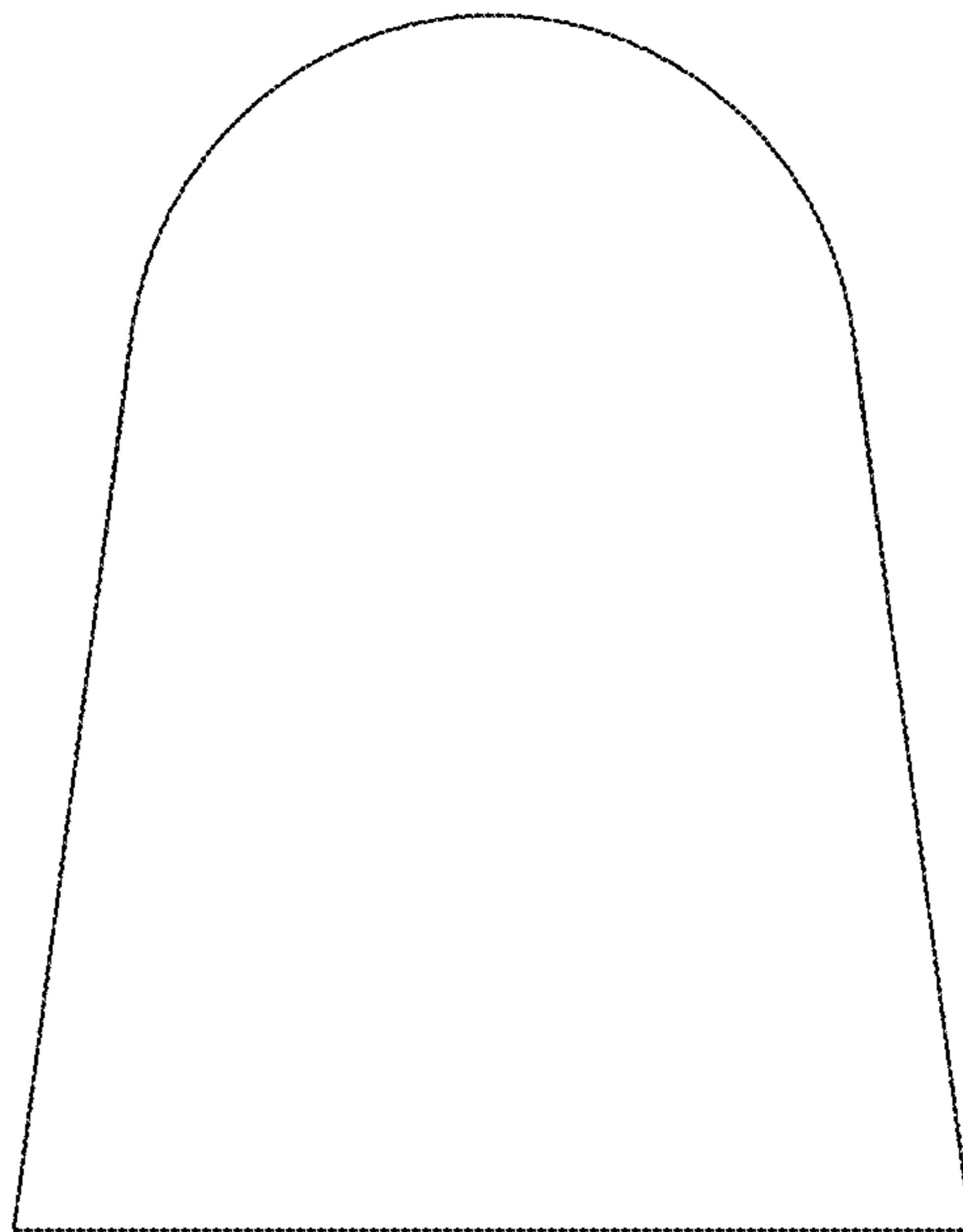


FIG. 3

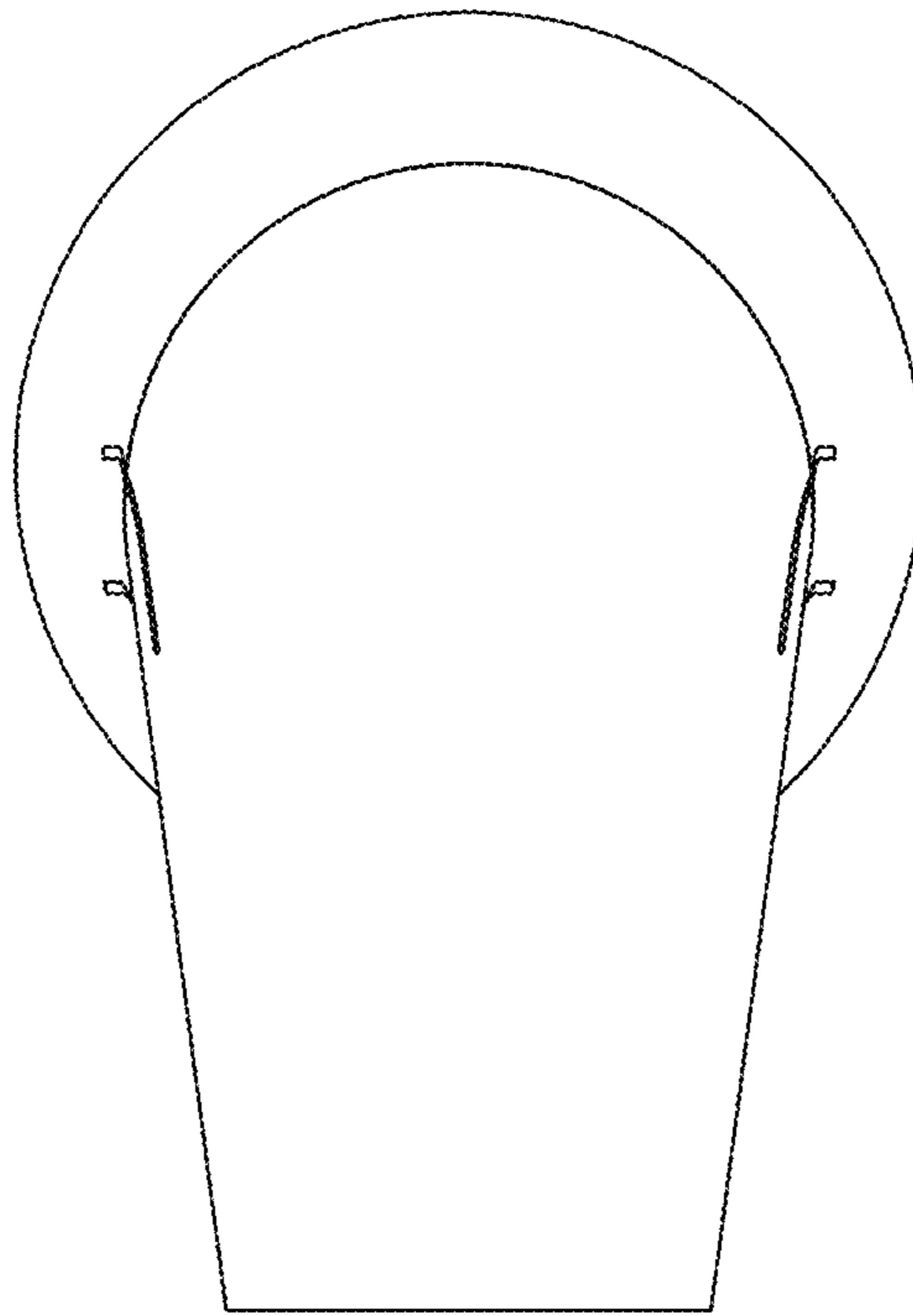


FIG. 4

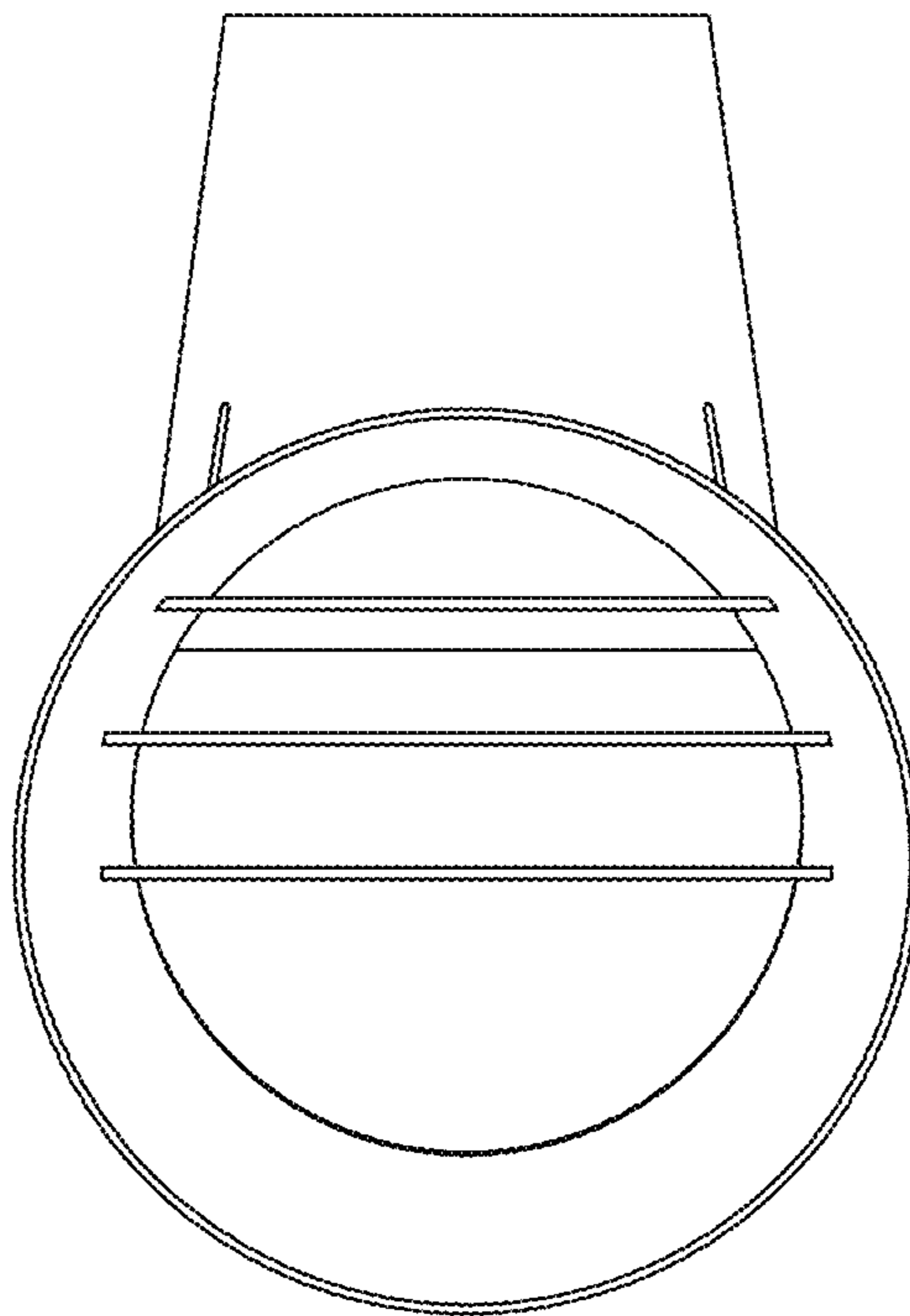


FIG. 5

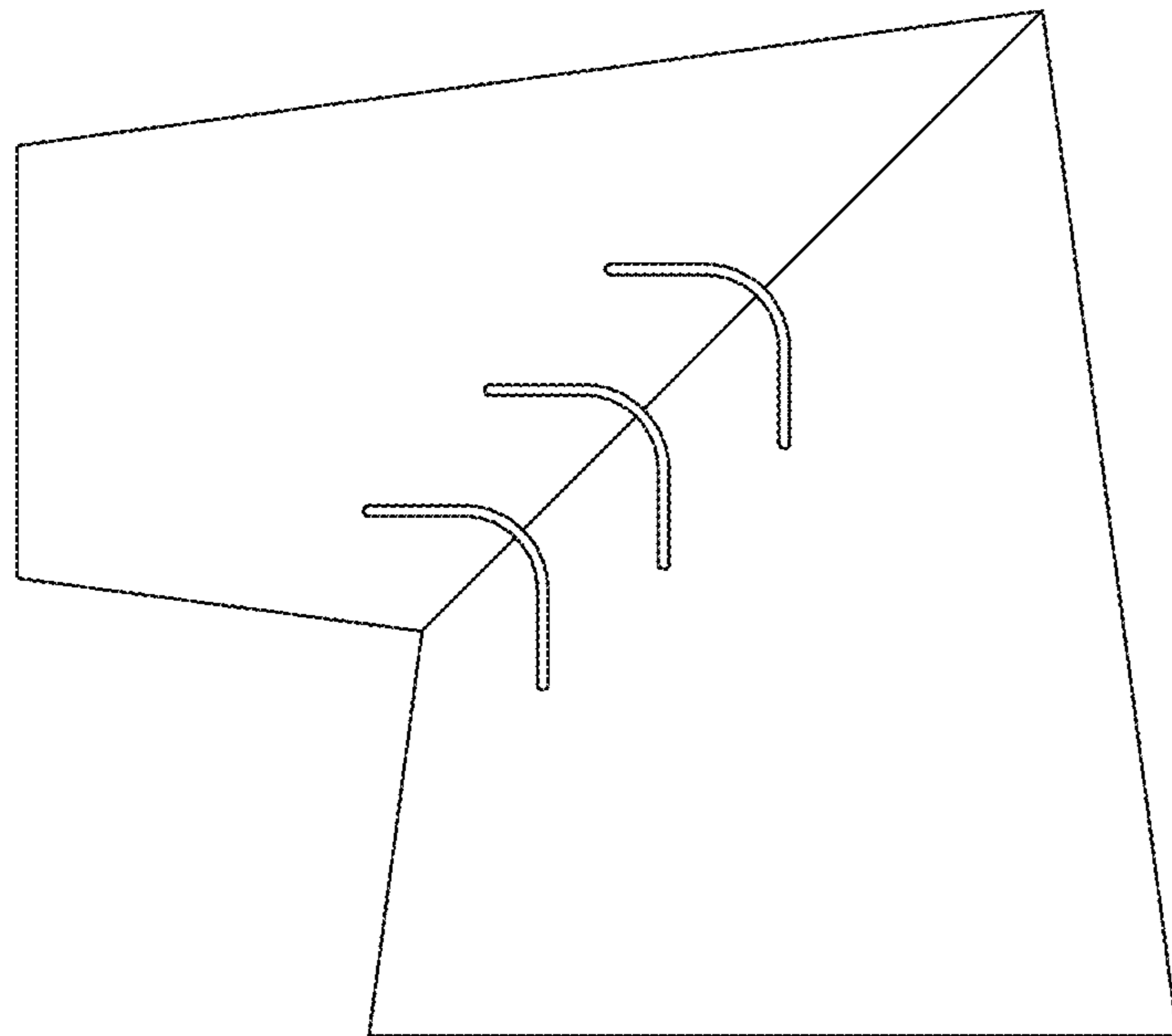


FIG. 6

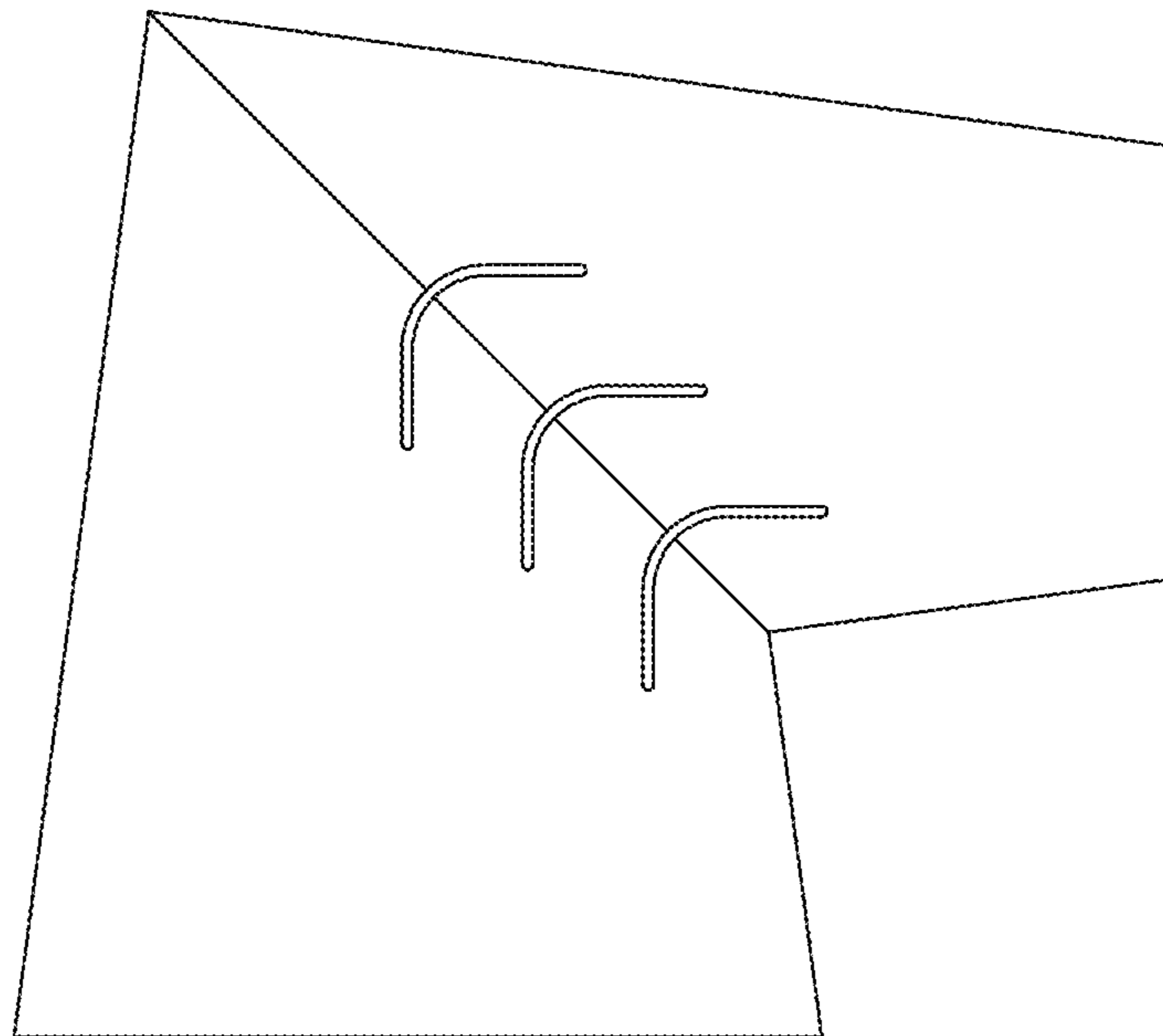


FIG. 7

