



US00D810139S

(12) **United States Design Patent** (10) **Patent No.:** **US D810,139 S**
Chan (45) **Date of Patent:** **** Feb. 13, 2018**

(54) **THROTTLE BODY ADAPTER**
(71) Applicant: **Henry Chan**, Houlton, WI (US)
(72) Inventor: **Henry Chan**, Houlton, WI (US)
(**) Term: **14 Years**

(21) Appl. No.: **29/523,846**
(22) Filed: **Apr. 14, 2015**
(51) **LOC (11) Cl.** **15-01**
(52) **U.S. Cl.**
USPC **D15/5**
(58) **Field of Classification Search**
USPC D15/1-6; D23/266, 263; D32/31
CPC F02D 2009/0206; F02D 2009/0255; F02D
2009/0298; F02D 19/0618; F02D 41/004;
F02D 2200/0404; F02D 2009/0283; F02D
9/08; F02D 2007/025; F02D 2009/0205;
F02D 2009/0254; F02D 2009/0276; F02B
2031/003
See application file for complete search history.

(56) **References Cited**

U.S. PATENT DOCUMENTS

D262,707 S * 1/1982 Thompson 48/219
5,078,111 A * 1/1992 McCann F02D 9/02
123/400
6,764,062 B1 * 7/2004 Daly F02D 9/10
123/337
7,669,572 B2 * 3/2010 Jury F02B 73/00
123/184.56
7,690,349 B2 * 4/2010 Bolanos F02B 31/04
123/306

9,212,749 B2 * 12/2015 Adenot F16K 1/2263
D753,726 S * 4/2016 Fitzgerald D15/5
D757,119 S * 5/2016 Drabek D15/5
2009/0120741 A1 * 5/2009 Bassett F16D 67/02
188/84
2012/0067663 A1 * 3/2012 Leicht, Sr. B60K 17/22
180/352

* cited by examiner

Primary Examiner — T. Chase Nelson

Assistant Examiner — Ania Aman

(74) *Attorney, Agent, or Firm* — Skinner and Associates;
Joel Skinner

(57) **CLAIM**

The ornamental design for a throttle body adapter, as shown and described.

DESCRIPTION

FIG. 1 is a perspective view of a throttle body adapter showing my new design in use.

FIG. 2 is an alternate perspective view thereof.

FIG. 3 is a left side view thereof.

FIG. 4 is a front view thereof.

FIG. 5 is a back view thereof.

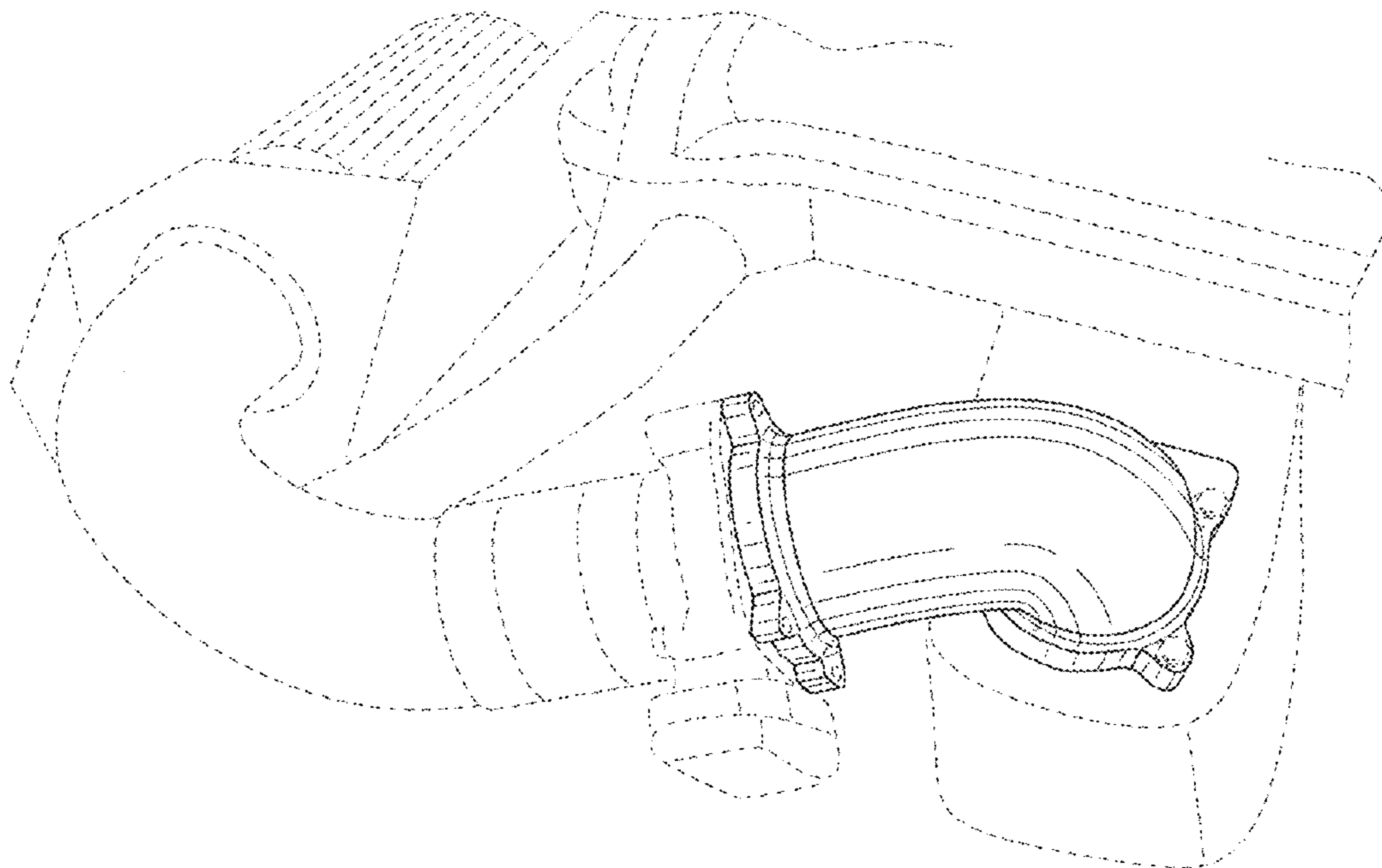
FIG. 6 is a top view thereof.

FIG. 7 is a bottom view thereof; and,

FIG. 8 is a right side view thereof.

The broken lines showing parts of an engine in FIG. 1 depict environmental subject matter only and form no part of the claimed design. The broken lines shown on the adapter throughout the views are for the purpose of depicting unclaimed portions and the boundaries of the claimed design.

1 Claim, 4 Drawing Sheets



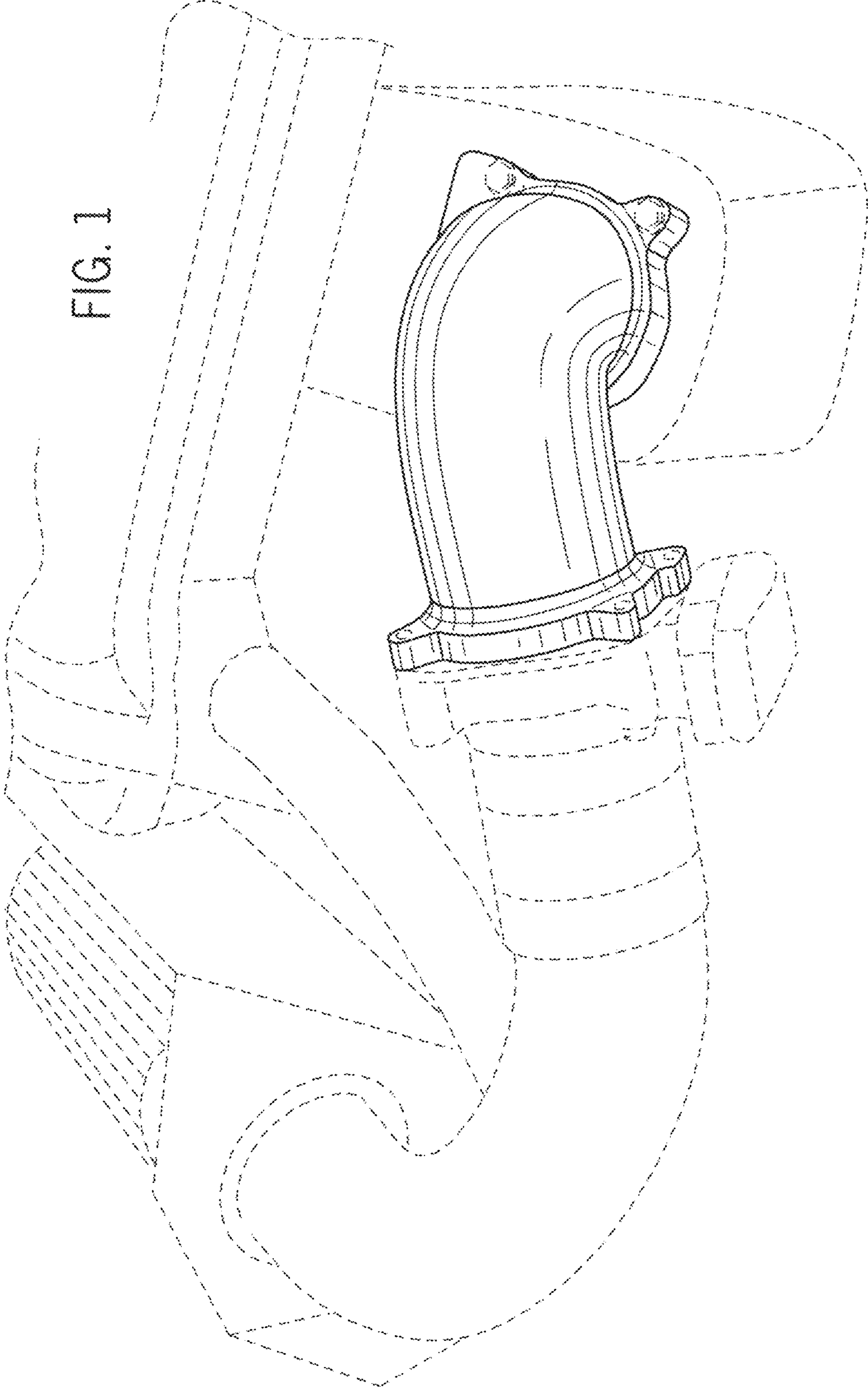


FIG. 1

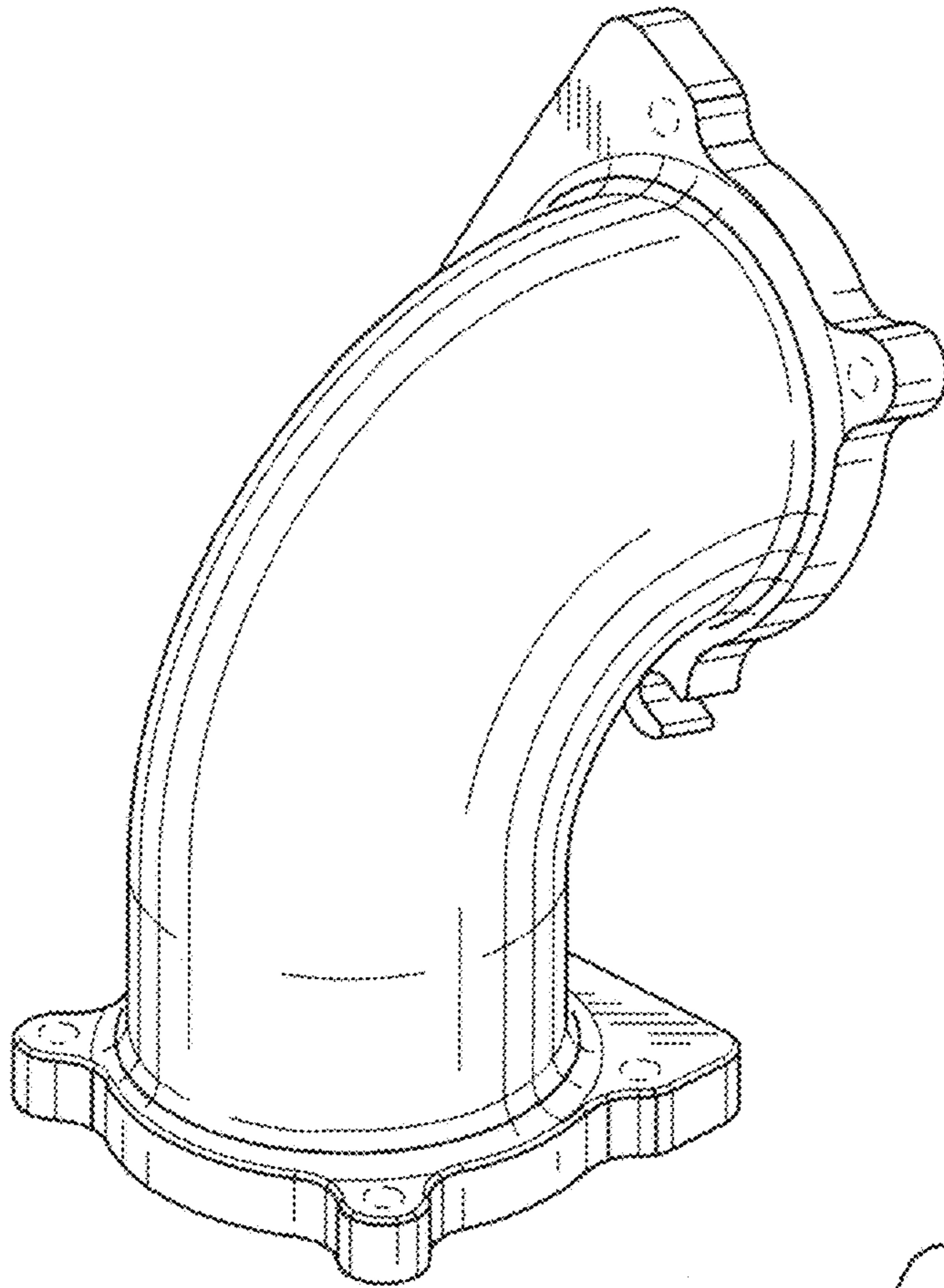


FIG. 2

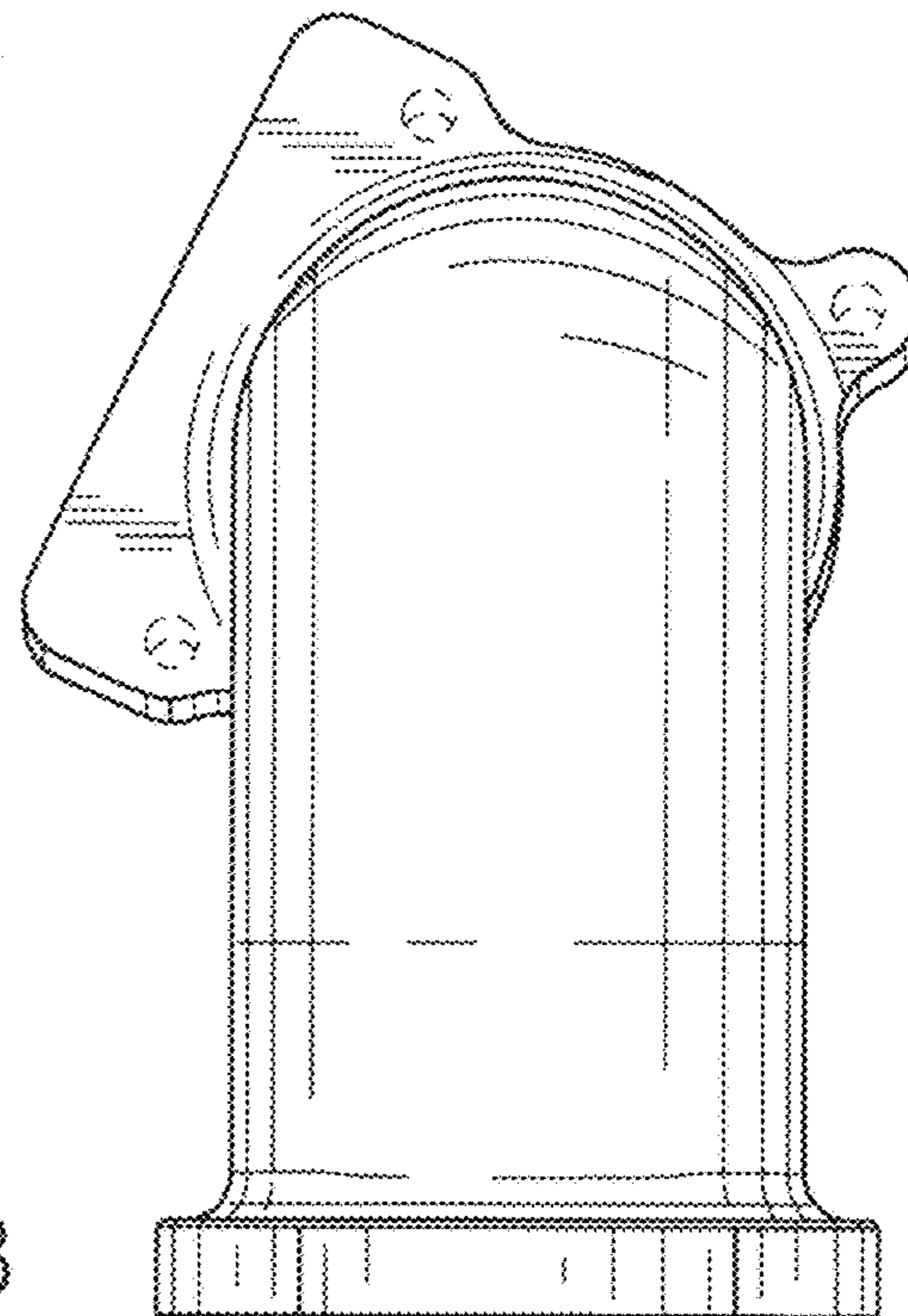
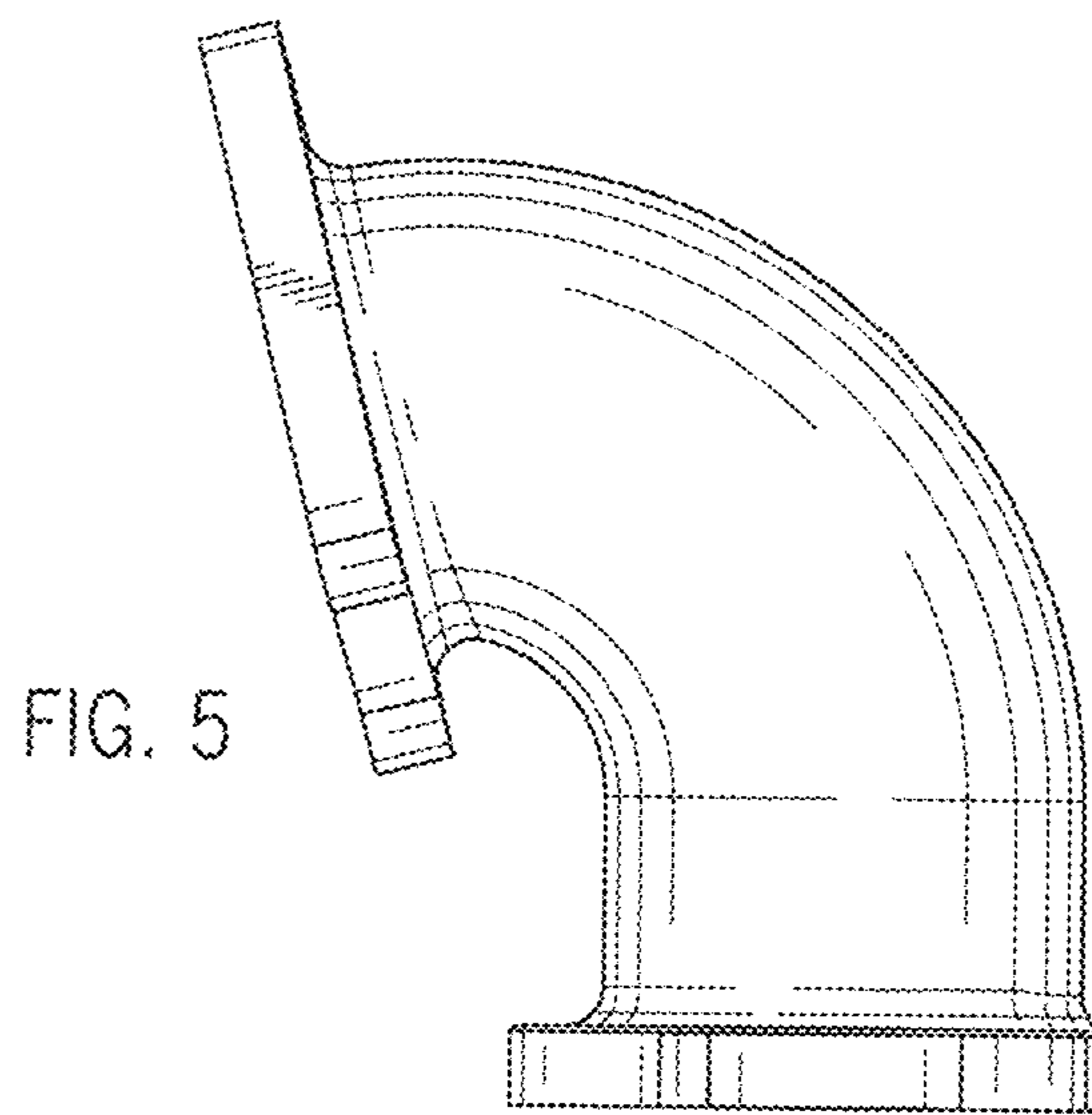
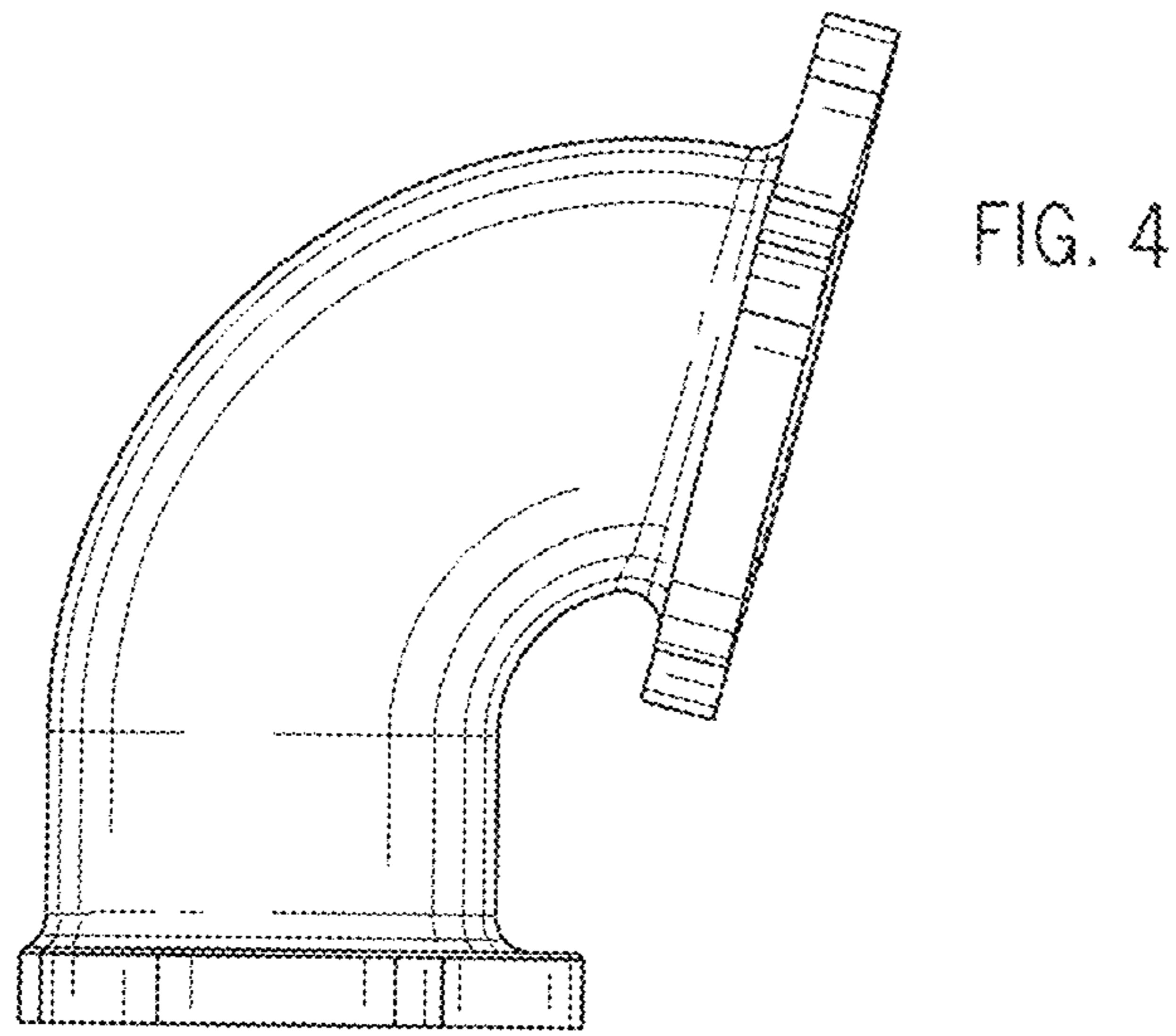


FIG. 3



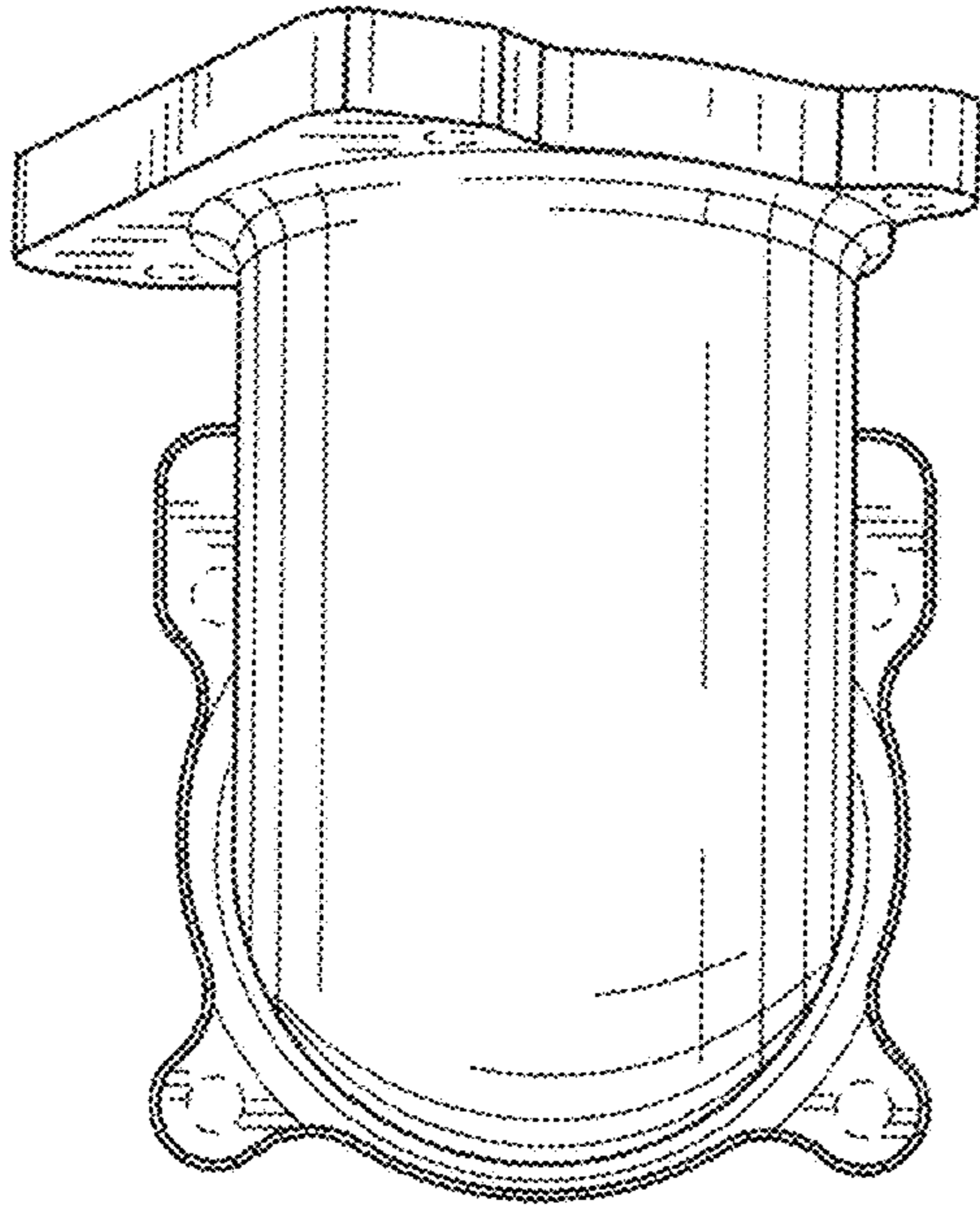


FIG. 6

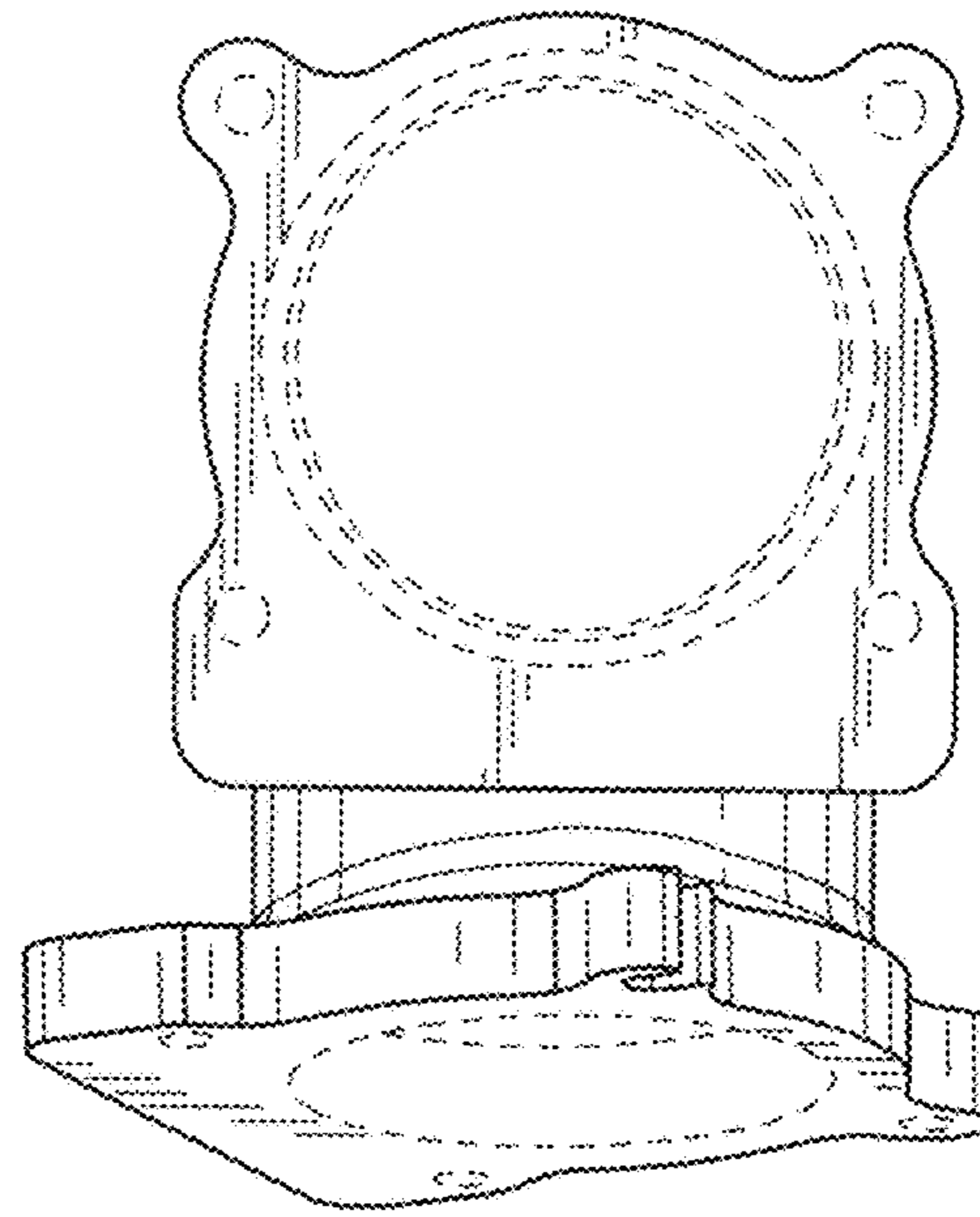


FIG. 7

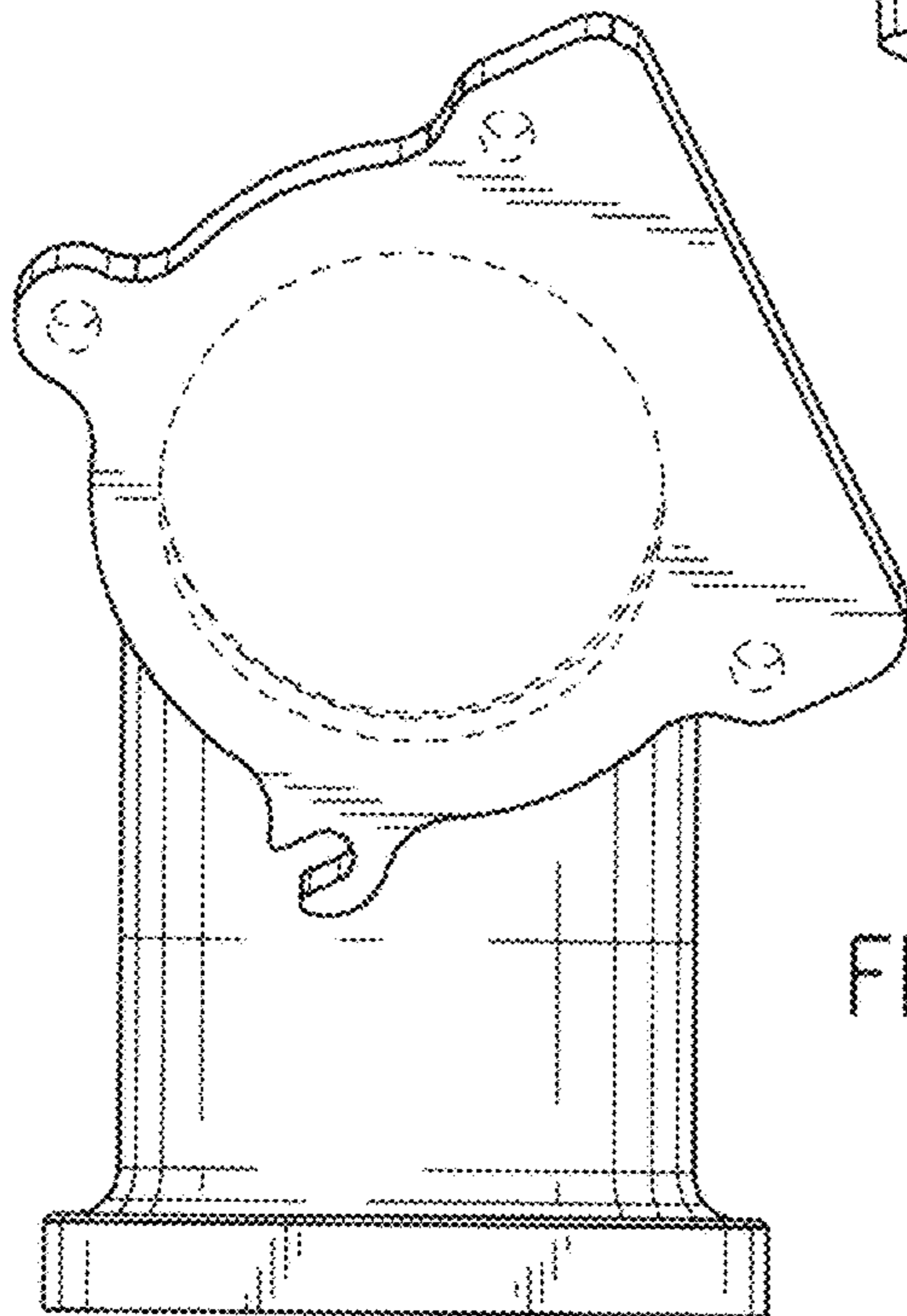


FIG. 8