



US00D810137S

(12) **United States Design Patent**
Tsang et al.

(10) **Patent No.:** **US D810,137 S**
(45) **Date of Patent:** **** Feb. 13, 2018**

- (54) **AUDIO INPUT/OUTPUT DEVICE**
- (71) Applicant: **Cosmo Product Innovation Ltd.**,
Kowloon Bay, Kowloon (HK)
- (72) Inventors: **Hing Wah Tsang**, Ontario (CA); **Chad Stewart**, Ontario (CA); **Li Yong**,
Shenzhen (CN)
- (73) Assignee: **Cosmo Product Innovation, Ltd.**,
Kowloon (HK)
- (**) Term: **15 Years**
- (21) Appl. No.: **29/595,150**
- (22) Filed: **Feb. 25, 2017**
- (51) **LOC (11) Cl.** **14-03**
- (52) **U.S. Cl.**
USPC **D14/496; D14/203.6**
- (58) **Field of Classification Search**
USPC D14/496, 401, 435, 474, 483, 217, 137,
D14/138, 160, 168, 356, 203.1–203.8,
D14/507; 345/156, 169, 173–179, 905;
715/727–729, 864; 710/1, 5, 8; 713/1,
713/600; 455/1.1, 1.7, 73, 344–347, 93,
455/95, 3.01–3.06, 550.1, 573.1;
370/342–344; 369/1, 2, 6–12;
463/43–47; 273/148 B; 725/25–31, 34,
725/36, 37, 74, 86–89, 105, 131, 135,
725/143
CPC .. A63F 13/00; A63F 11/00; A63F 2300/8047;
G06F 17/00
See application file for complete search history.

- D609,718 S * 2/2010 Chang D14/203.3
- 8,090,418 B2 * 1/2012 Thiel H04B 1/385
455/575.2
- 8,315,046 B2 * 11/2012 Cooper H04R 1/1041
248/639
- D686,718 S * 7/2013 Gordon D23/366
- D717,342 S * 11/2014 Berk D14/496
- D739,397 S * 9/2015 Akana D14/314
- D771,141 S * 11/2016 Langhammer D14/496
- D771,142 S 11/2016 Langhammer et al.
- D778,956 S * 2/2017 Langhammer D14/203.1
- D784,412 S * 4/2017 Akana D14/496
- D792,468 S * 7/2017 Langhammer D14/203.3
- D802,022 S * 11/2017 Yao D14/496

* cited by examiner

Primary Examiner — Prabhakar Deshmukh
(74) *Attorney, Agent, or Firm* — E. Victor Indiano;
Indiano & McConnell, LLC

(57) **CLAIM**

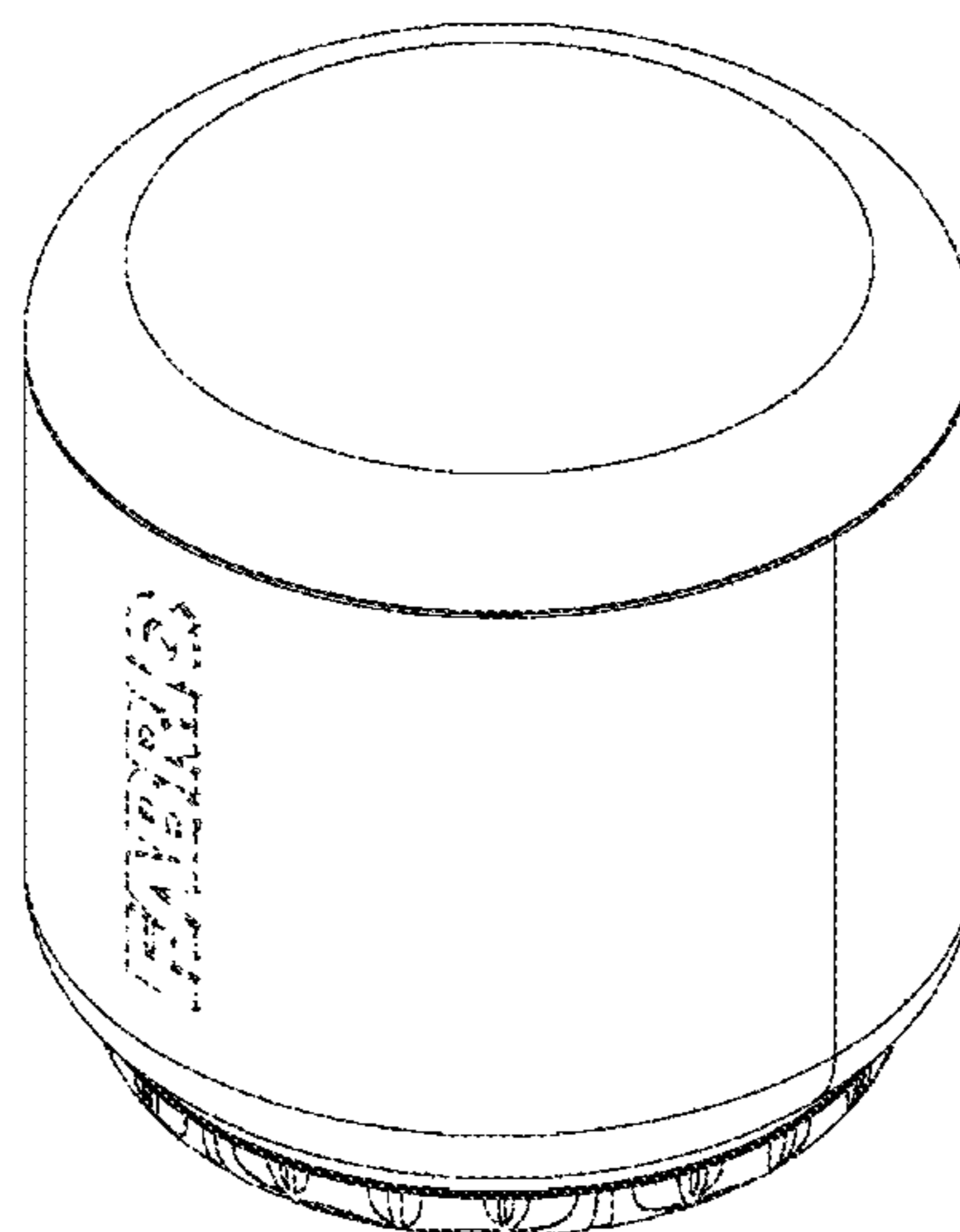
The ornamental design for a audio input/output device, as shown and described.

DESCRIPTION

FIG. 1 is a front side oriented perspective view of audio input/output device showing our new design;
FIG. 2 is a rear side oriented perspective view of the audio input/output device of FIG. 1;
FIG. 3 is a left side view of the audio input/output device of FIG. 1;
FIG. 4 is a right side view thereof;
FIG. 5 is a front view thereof;
FIG. 6 is a rear view thereof;
FIG. 7 is a top view thereof; and,
FIG. 8 is a bottom view thereof.
The broken lines illustrate environment and forms no part of the claimed design.

1 Claim, 8 Drawing Sheets

- (56) **References Cited**
U.S. PATENT DOCUMENTS
5,663,746 A * 9/1997 Pellenberg G09F 15/005
211/70
7,277,272 B2 * 10/2007 Hsiung G11B 17/051
361/679.01



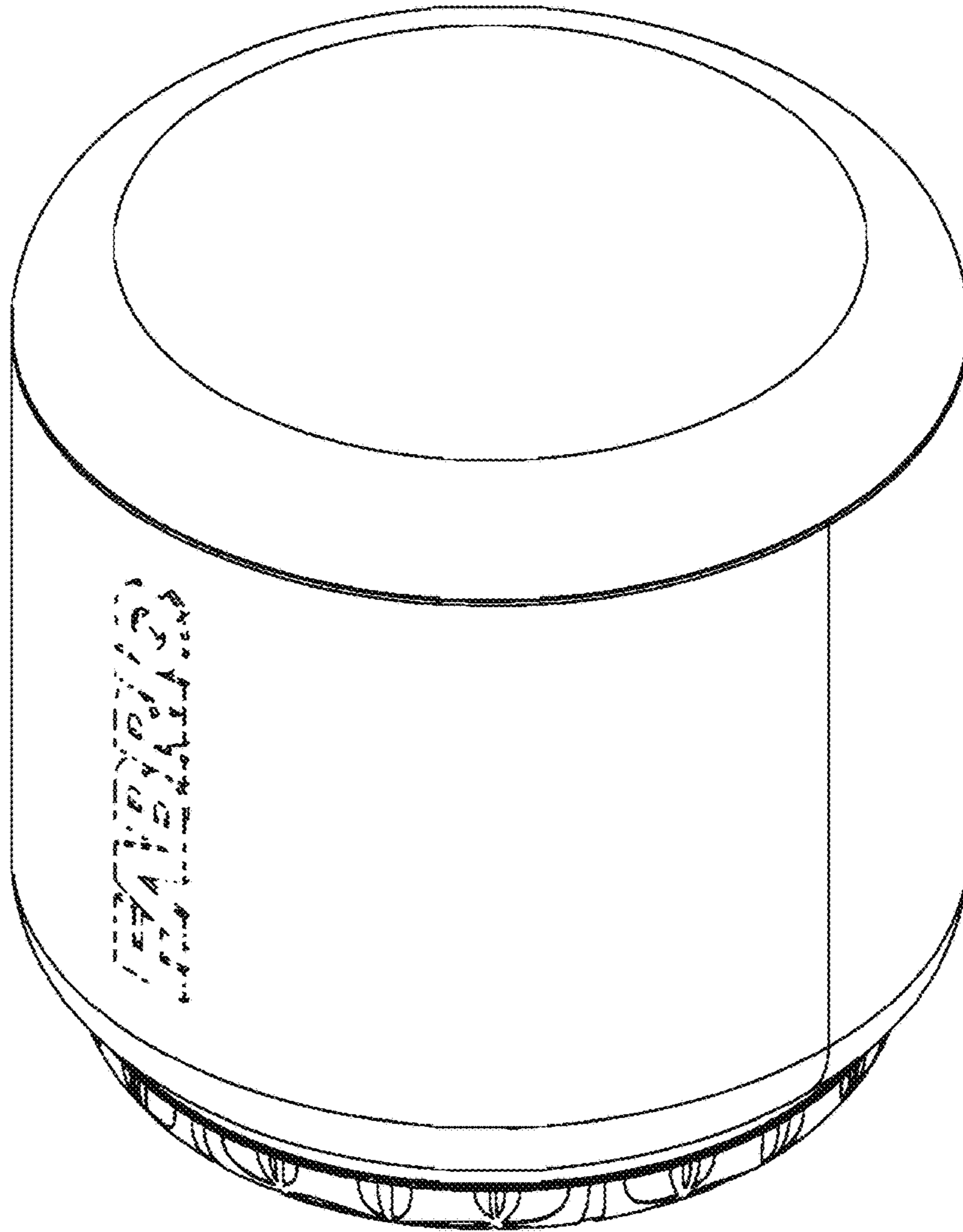


Fig. 1

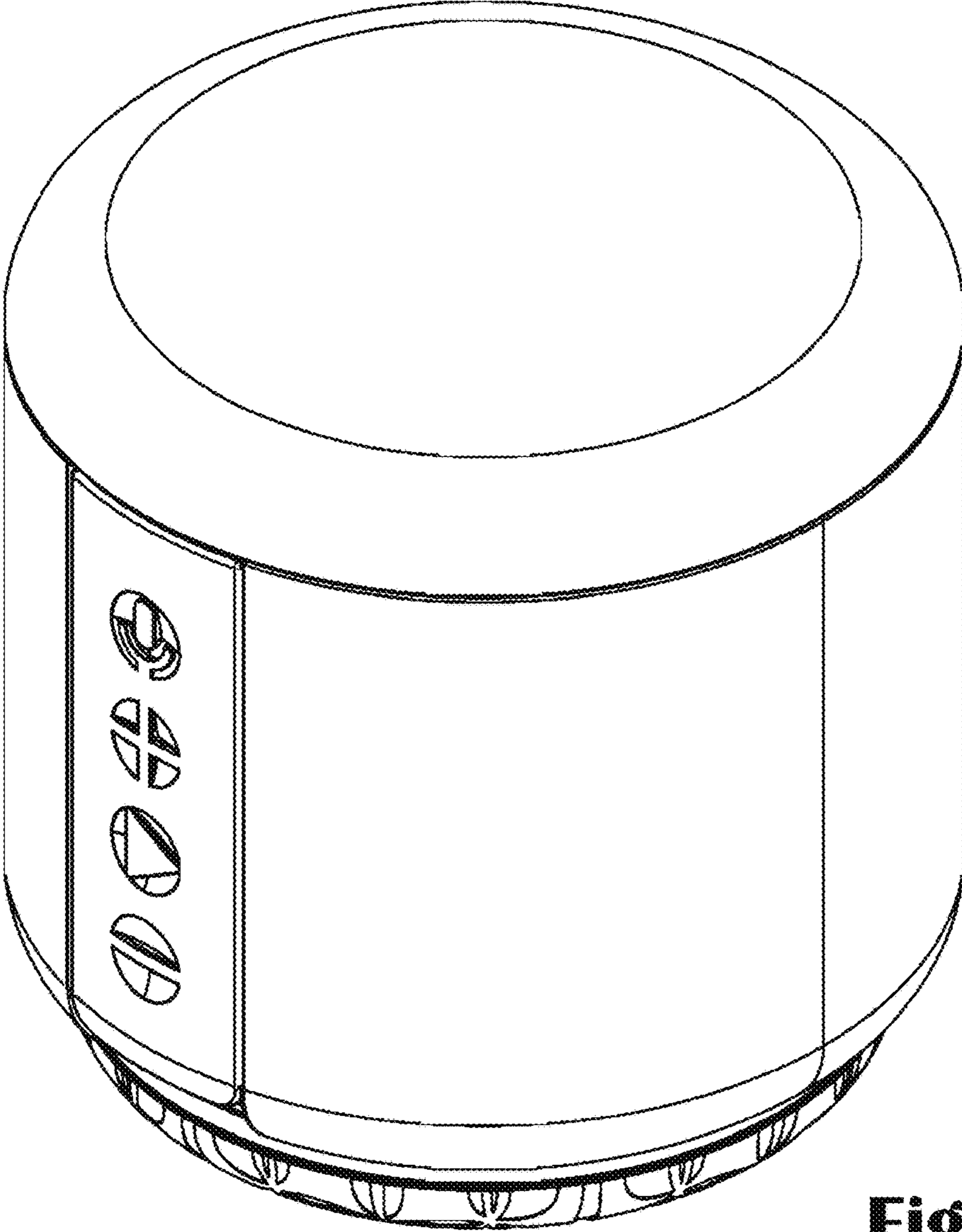


Fig. 2

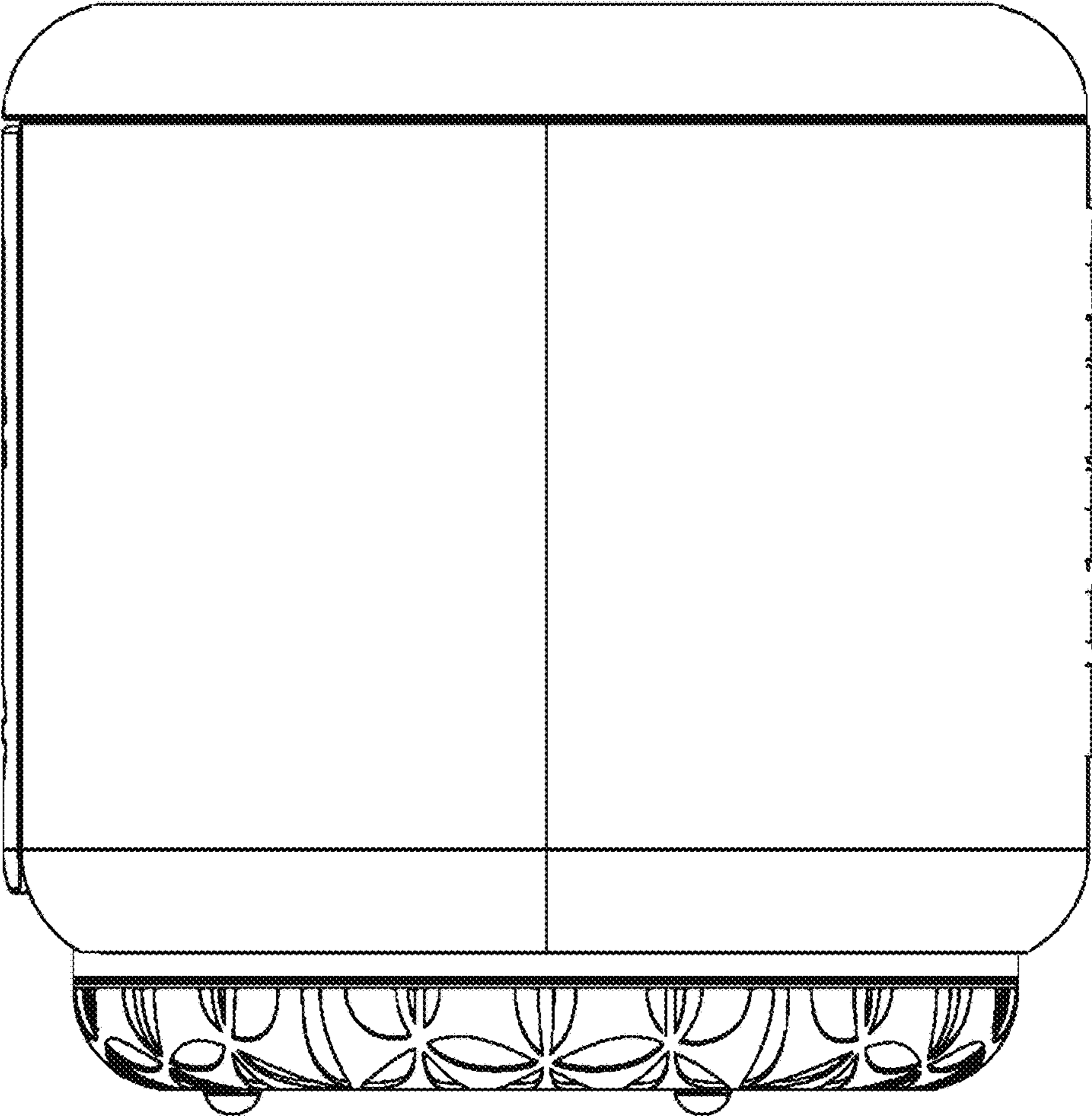


Fig. 3

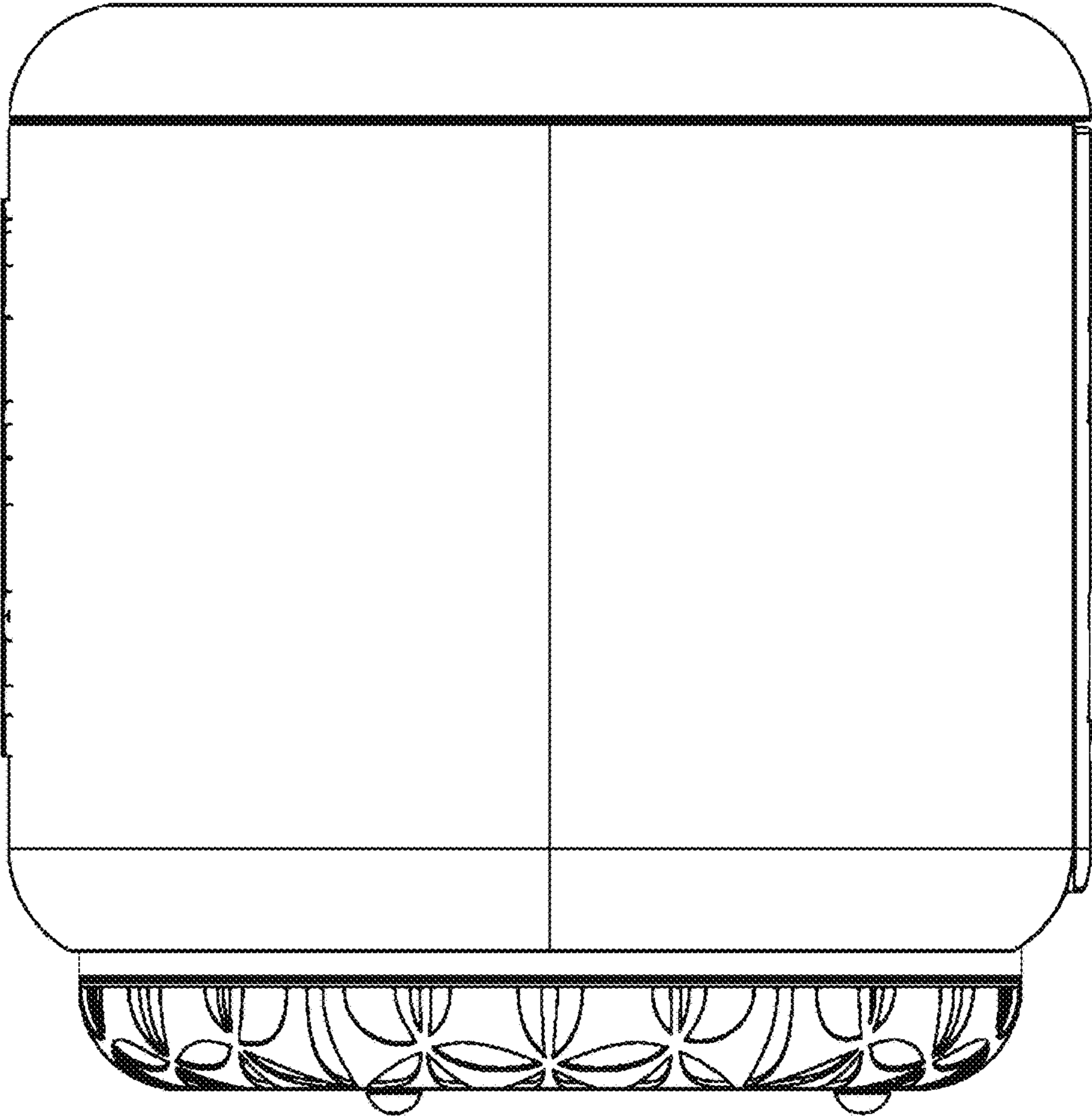


Fig. 4

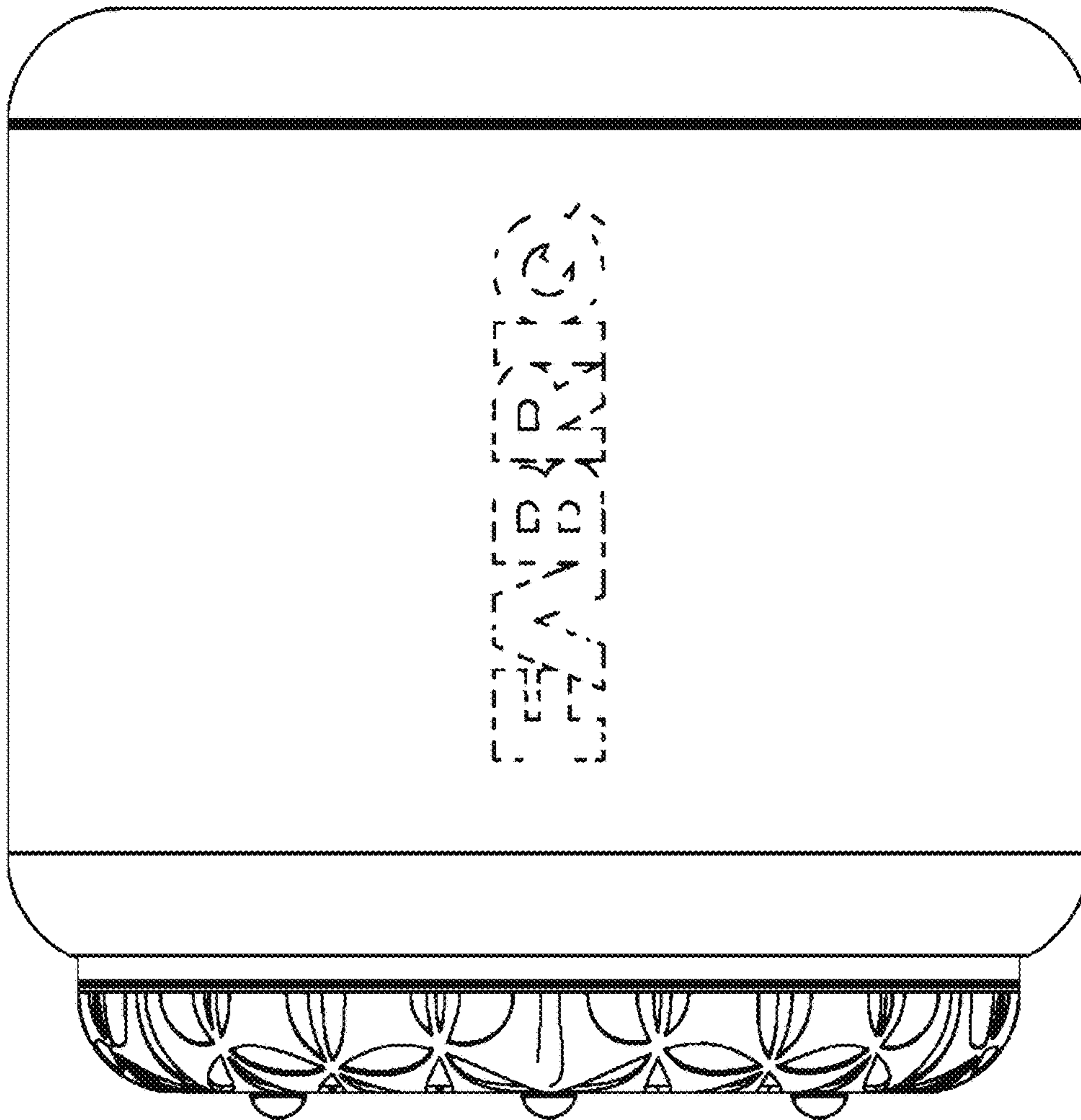


Fig 5

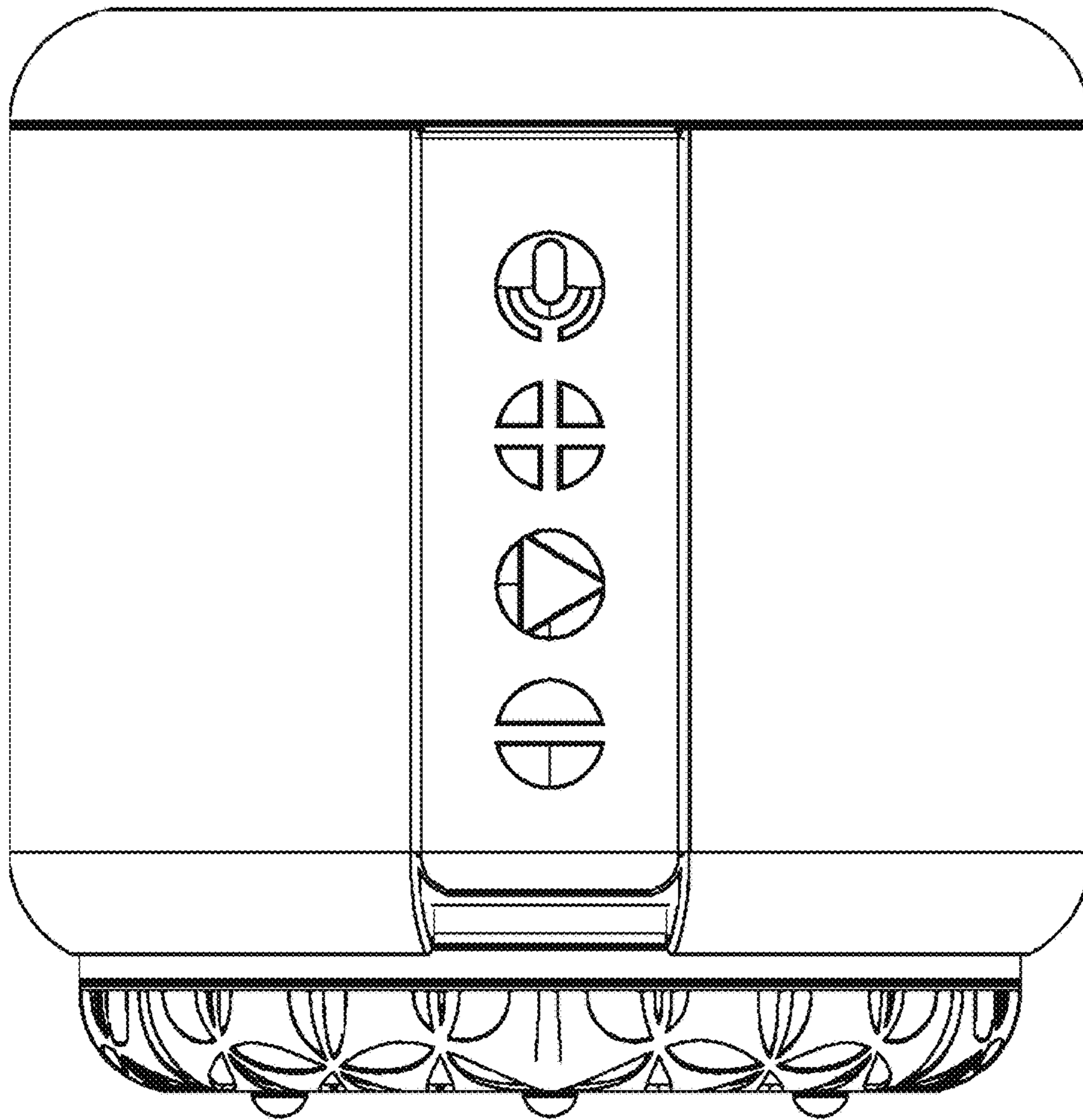


Fig 6

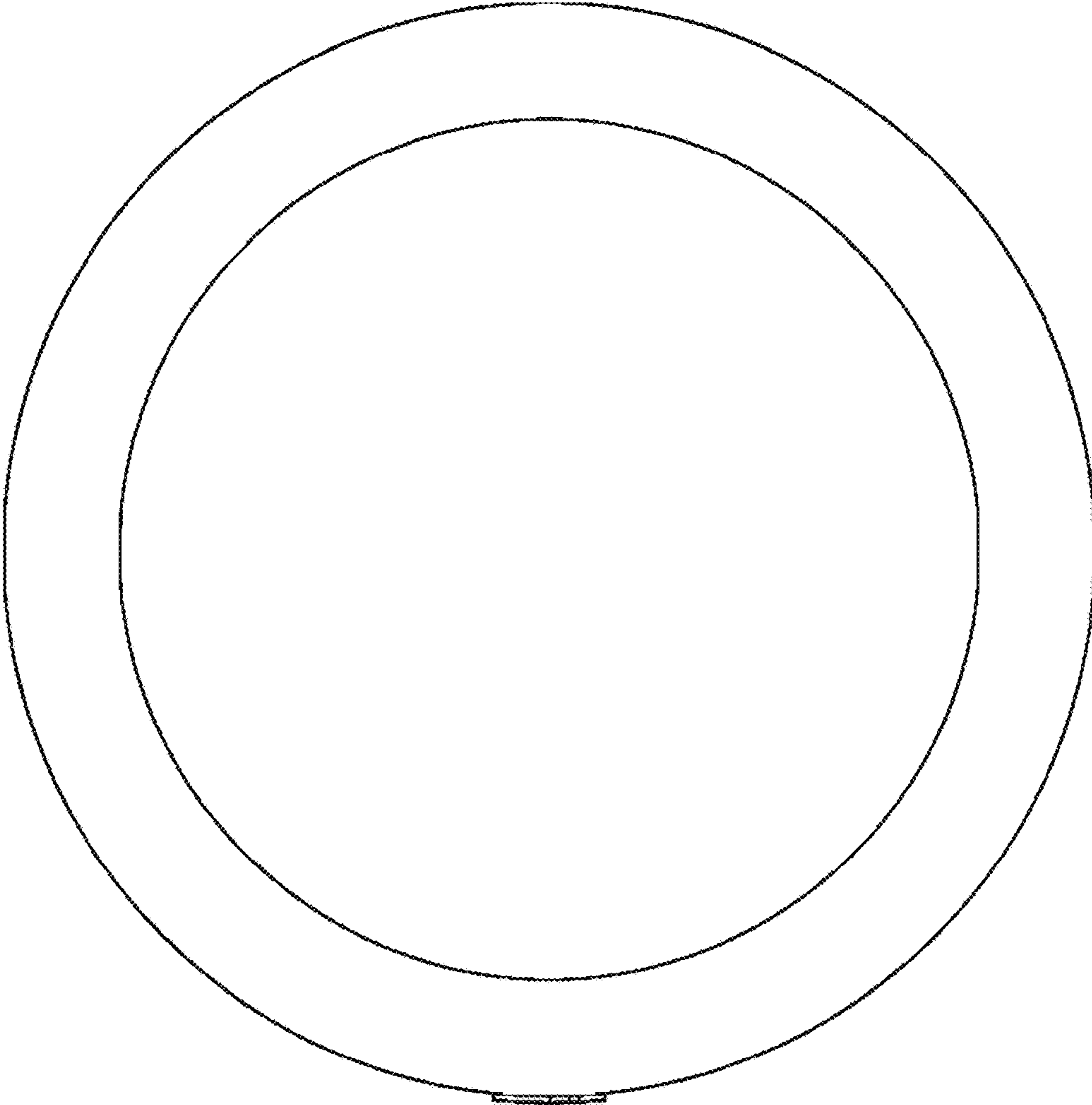


Fig. 7

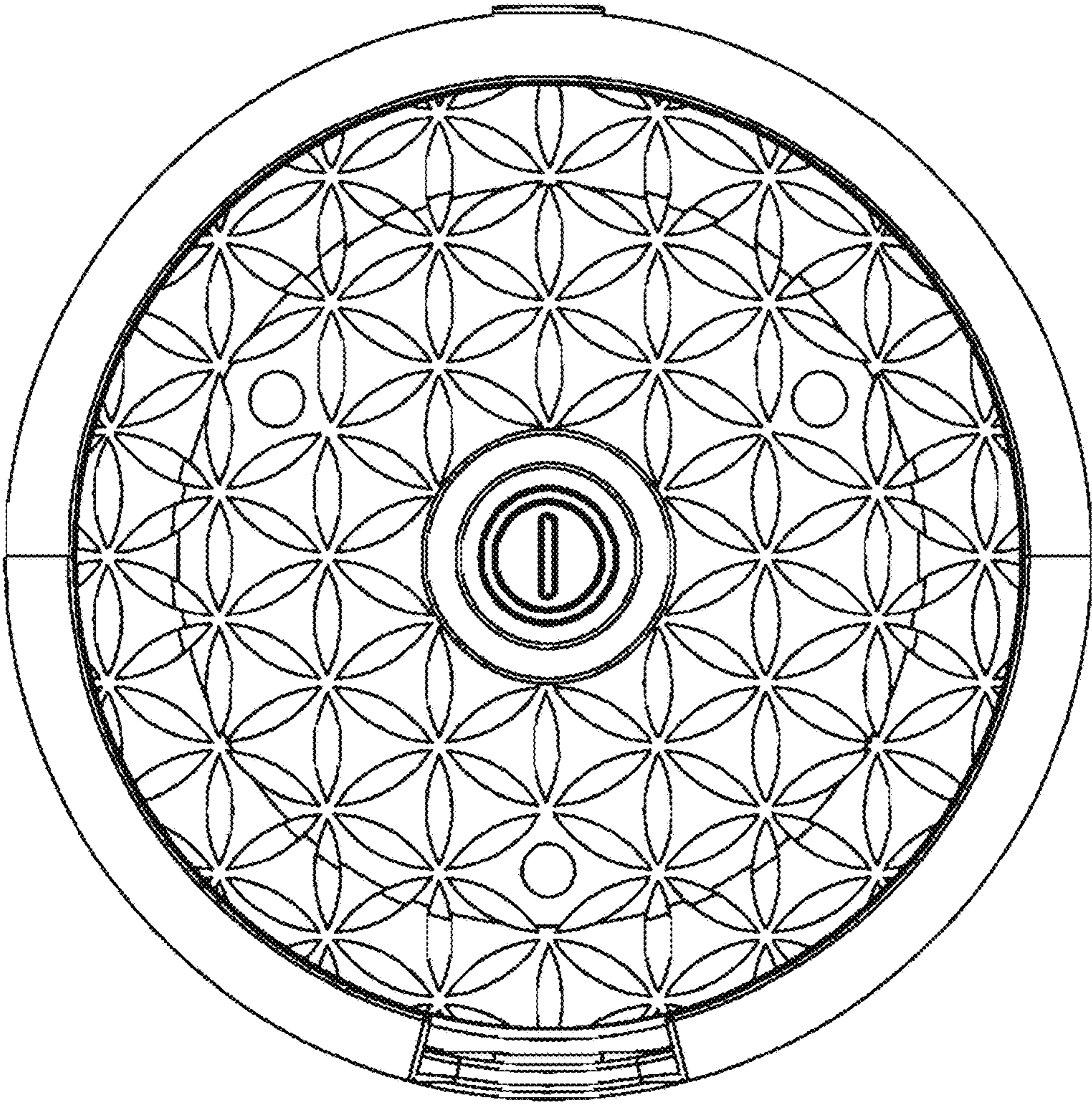


Fig. 8