



US00D810136S

(12) **United States Design Patent** (10) **Patent No.:** **US D810,136 S**
Langhammer et al. (45) **Date of Patent:** **** Feb. 13, 2018**

(54) **AUDIO INPUT/OUTPUT DEVICE**

715/727-729, 864; 710/1, 5, 8; 713/1, 713/600; 455/1.1, 1.7, 73, 344-347, 93, 455/95, 3.01-3.06, 550.1, 573.1;

(71) Applicant: **Amazon Technologies, Inc.**, Seattle, WA (US)

(Continued)

(72) Inventors: **Heinz-Dominik Langhammer**, San Francisco, CA (US); **Giles David Matthew McWilliam**, San Francisco, CA (US); **Marc Rene Walliser**, San Francisco, CA (US); **Christopher Green**, San Francisco, CA (US)

(56) **References Cited**

U.S. PATENT DOCUMENTS

3,931,867 A *	1/1976	Janszen	H04R 1/24 181/144
5,319,164 A *	6/1994	Shen	H04R 1/025 181/150
D364,165 S	11/1995	Esslinger	(Continued)

(73) Assignee: **Amazon Technologies, Inc.**, Seattle, WA (US)

OTHER PUBLICATIONS

U.S. Appl. No. 29/527,977, filed May 22, 2015, Heinz-Dominik Langhammer et al., "Audio Input/Output Device," 9 pages.

(**) Term: **15 Years**

(Continued)

(21) Appl. No.: **29/592,377**

Primary Examiner — Prabhakar Deshmukh
(74) *Attorney, Agent, or Firm* — Lee & Hayes, PLLC

(22) Filed: **Jan. 30, 2017**

(57) **CLAIM**

The ornamental design for an audio input/output device, as shown and described.

Related U.S. Application Data

DESCRIPTION

(60) Division of application No. 29/539,416, filed on Sep. 14, 2015, now Pat. No. Des. 781,918, which is a continuation-in-part of application No. 29/527,977, filed on May 22, 2015, now Pat. No. Des. 771,141.

FIG. 1 is a first perspective view of an audio input/output device, taken from the front.

(51) **LOC (11) Cl.** **14-03**

FIG. 2 is a second perspective view of the audio input/output device of FIG. 1, taken from the back.

(52) **U.S. Cl.**

USPC **D14/496**; D14/203.1

FIG. 3 is a front view of the audio input/output device of FIG. 1.

(58) **Field of Classification Search**

USPC D14/496, 401, 435, 474, 483, 217, 137, D14/138, 160, 168, 356, 203.1-203.8, D14/507; 345/156, 169, 173-179, 905;

FIG. 4 is a left-side view of the audio input/output device of FIG. 1.

FIG. 5 is a back view of the audio input/output device of FIG. 1.

FIG. 6 is a right-side view of the audio input/output device of FIG. 1.

FIG. 7 is a top view of the audio input/output device of FIG. 1; and,

(Continued)

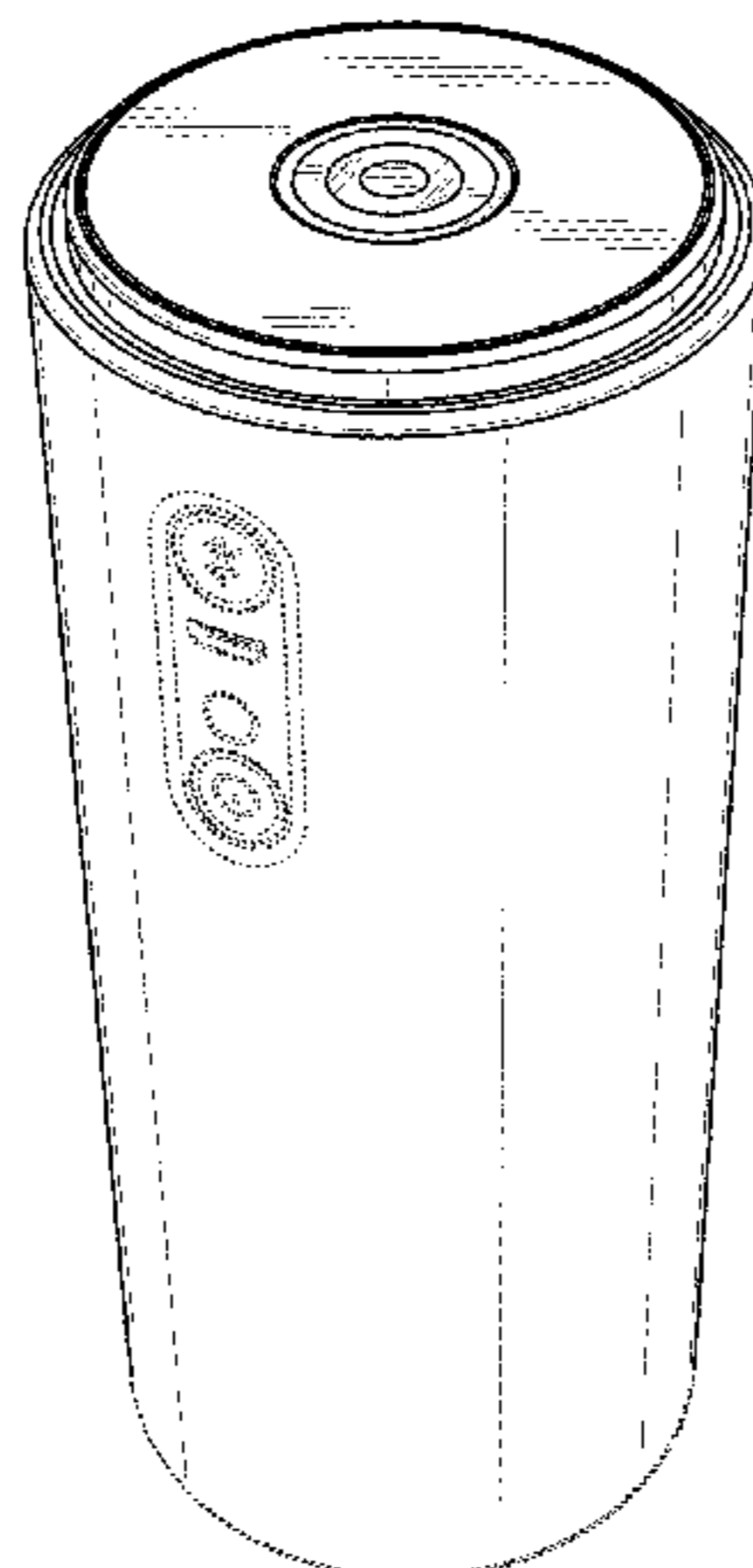


FIG. 8 is a bottom view of the audio input/output device of FIG. 1.

The broken lines in the drawings are for illustrative purposes only and form no part of the claimed design.

1 Claim, 7 Drawing Sheets

(58) **Field of Classification Search**

USPC 370/342-344; 369/1, 2, 6-12;
463/43-47; 273/148 B

CPC .. A63F 13/00; A63F 11/00; A63F 2300/8047;
G06F 17/00

See application file for complete search history.

(56) **References Cited**

U.S. PATENT DOCUMENTS

5,893,798 A	4/1999	Stambolic et al.	
5,914,707 A	6/1999	Kono	
7,209,648 B2	4/2007	Barber et al.	
7,303,476 B2	12/2007	Blanco	
D563,391 S	3/2008	Skurdal	
D567,213 S	4/2008	Prince	
7,639,478 B2 *	12/2009	Wu	H05K 5/0008 312/223.2
D609,718 S *	2/2010	Chang	D14/203.3
D615,556 S	5/2010	Yeo et al.	
D616,416 S	5/2010	Lin	
8,175,304 B1 *	5/2012	North	H04R 1/403 381/17
D675,190 S	1/2013	Nylen	
D686,186 S	7/2013	Kaneko et al.	
D687,017 S	7/2013	Ashcraft et al.	
D692,460 S	10/2013	Zunker	
D697,496 S *	1/2014	Ashcraft	D14/216
D698,753 S *	2/2014	Yiu	D14/216
D723,514 S *	3/2015	Lukic	D14/213
D725,976 S *	4/2015	Sikes	D8/1

D730,866 S	6/2015	Aihsan et al.	
D744,541 S	12/2015	Langhammer et al.	
9,232,082 B2	1/2016	Fukushima	
9,400,798 B2	7/2016	Miyata	
9,405,459 B2	8/2016	Sirpal et al.	
D766,213 S *	9/2016	Hinokio	D14/216
D798,839 S *	10/2017	Yeon	D14/216

OTHER PUBLICATIONS

Canadian Office Action dated Feb. 2, 2016 for Canadian design application No. 165036, a counterpart foreign application of Design U.S. Appl. No. 29/527,977, 4 pages.

Chinese Office Action dated Mar. 11, 2016 for Chinese Design Application No. 201530472021.9, a counterpart foreign application of Design U.S. Appl. No. 29/527,977, 3 pages.

Indian Office Action dated Feb. 10, 2016 for Indian Design Application No. 277742, a counterpart foreign application of Design U.S. Appl. No. 29/527,977, 26 pages.

Indian Office Action dated Mar. 7, 2016 for Indian Design Application No. 277741, a counterpart foreign application of Design U.S. Appl. No. 29/527,977, 10 pages.

Japanese Office Action dated May 13, 2016 for Japanese design application No. 2016-002342, a counterpart foreign application of design U.S. Appl. No. 29/527,977, 4 pages.

Japanese Office Action dated May 13, 2016 for Japanese design application No. 2016-002343, a counterpart foreign application of design U.S. Appl. No. 29/527,977, 4 pages.

Japanese Office Action dated Jun. 3, 2016 for Japanese Design Application No. 2015-025044, a counterpart foreign application of Design U.S. Appl. No. 29/527,977, 4 pages.

Korean Office Action dated Apr. 15, 2016 for Korean design application No. 30-2015-56937, a counterpart foreign application of design U.S. Appl. No. 29/527,977, 4 pages.

Korean Office action dated Apr. 16, 2016 for Korean design application No. 30-2015-56936, a counterpart foreign application of design U.S. Appl. No. 29/527,977, 5 pages.

Office action for U.S. Appl. No. 29/527,977, dated Mar. 17, 2016, Langhammer et al., "Audio Input/Output Device," 5 pages.

* cited by examiner

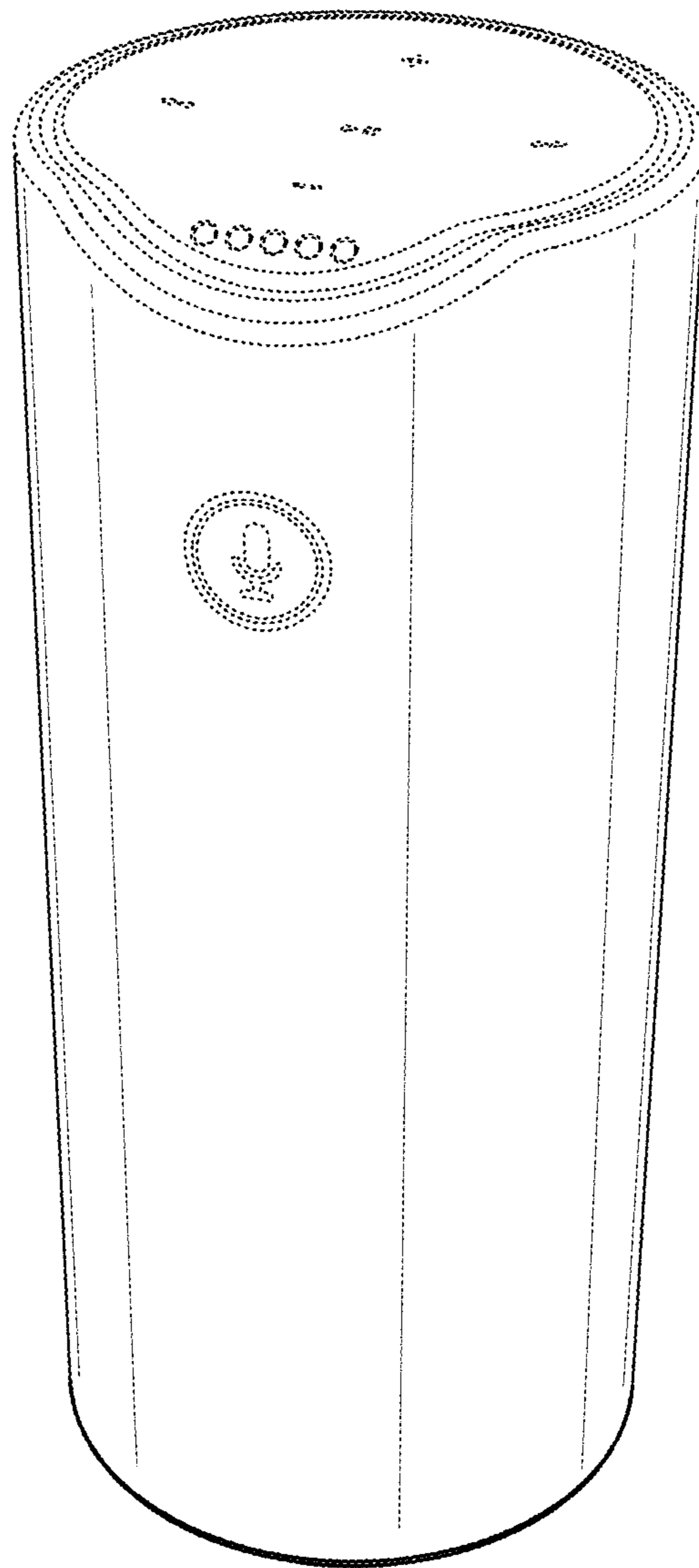


FIG. 1

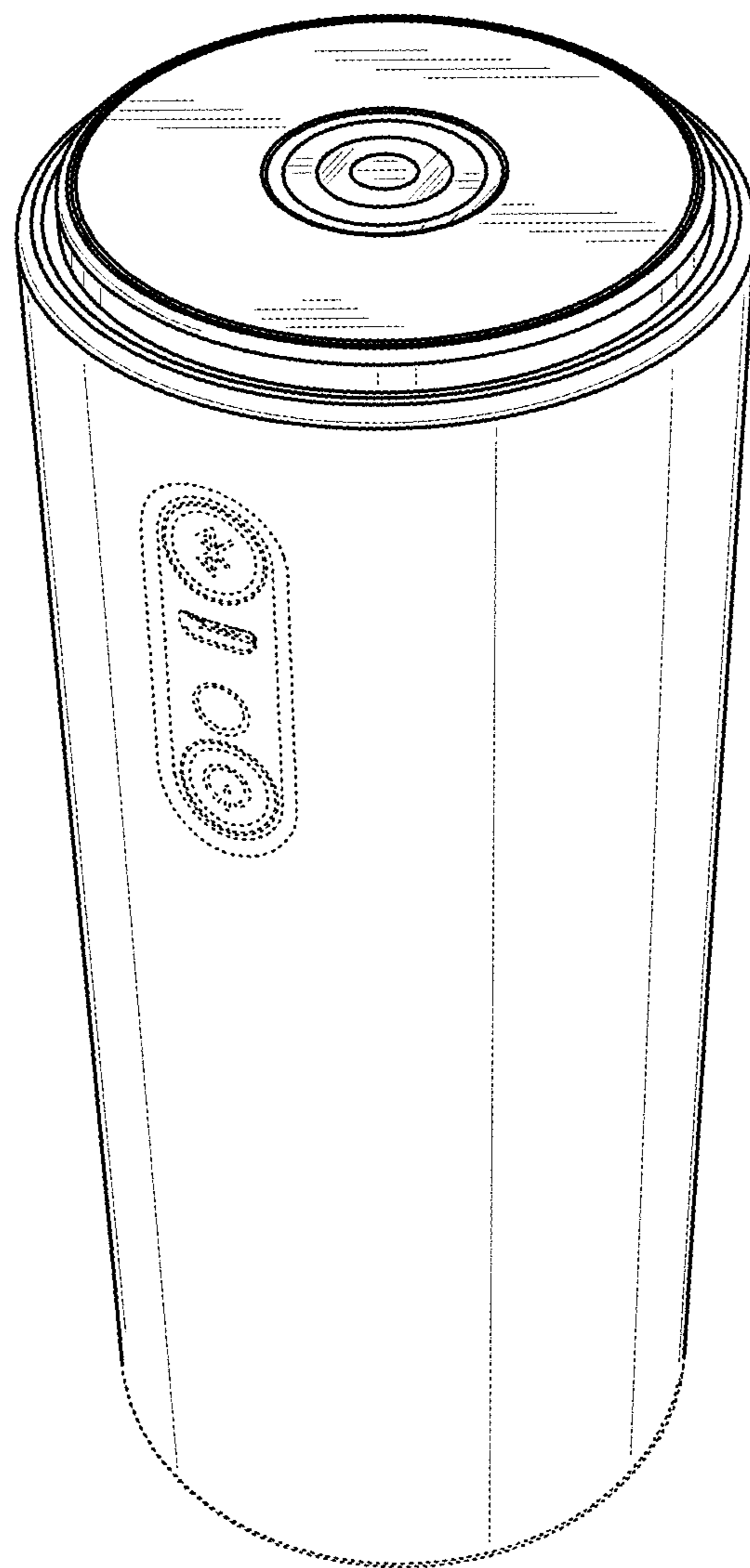


FIG. 2

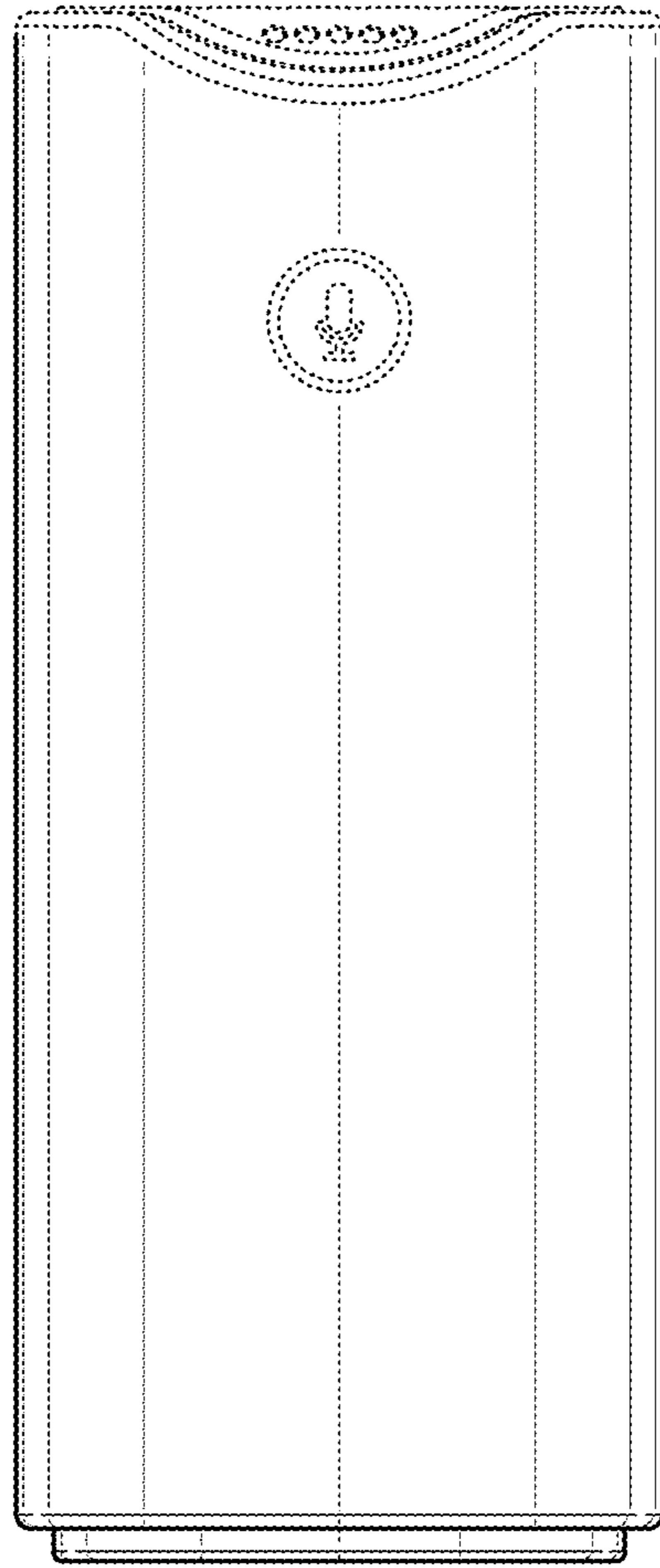


FIG. 3

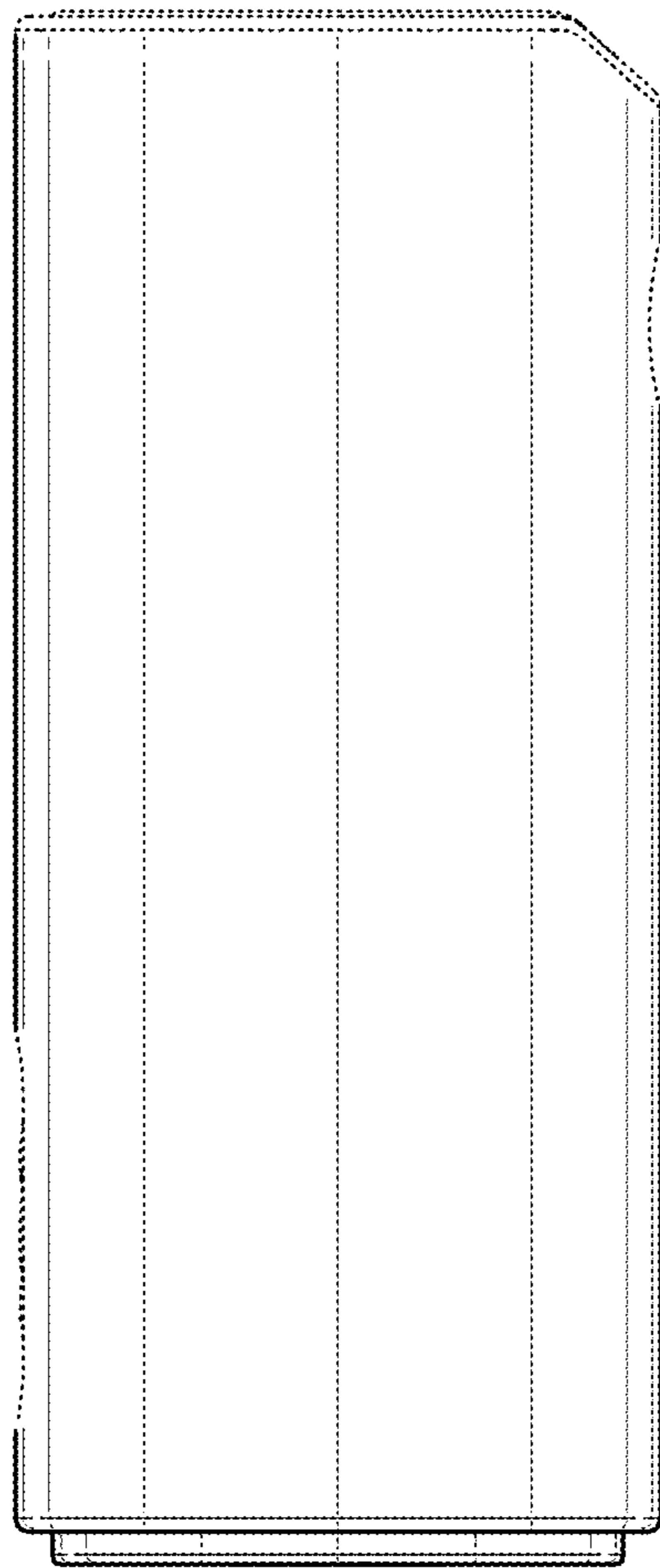


FIG. 4

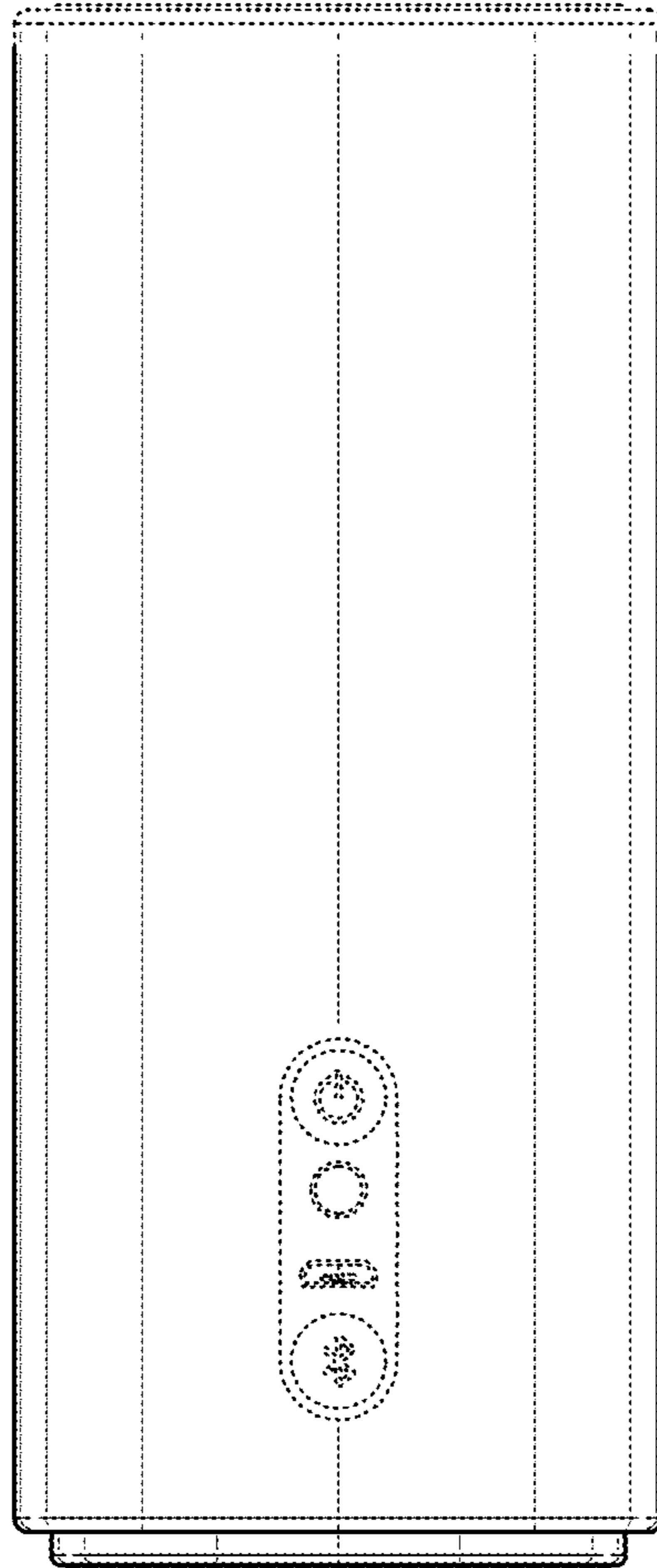


FIG. 5

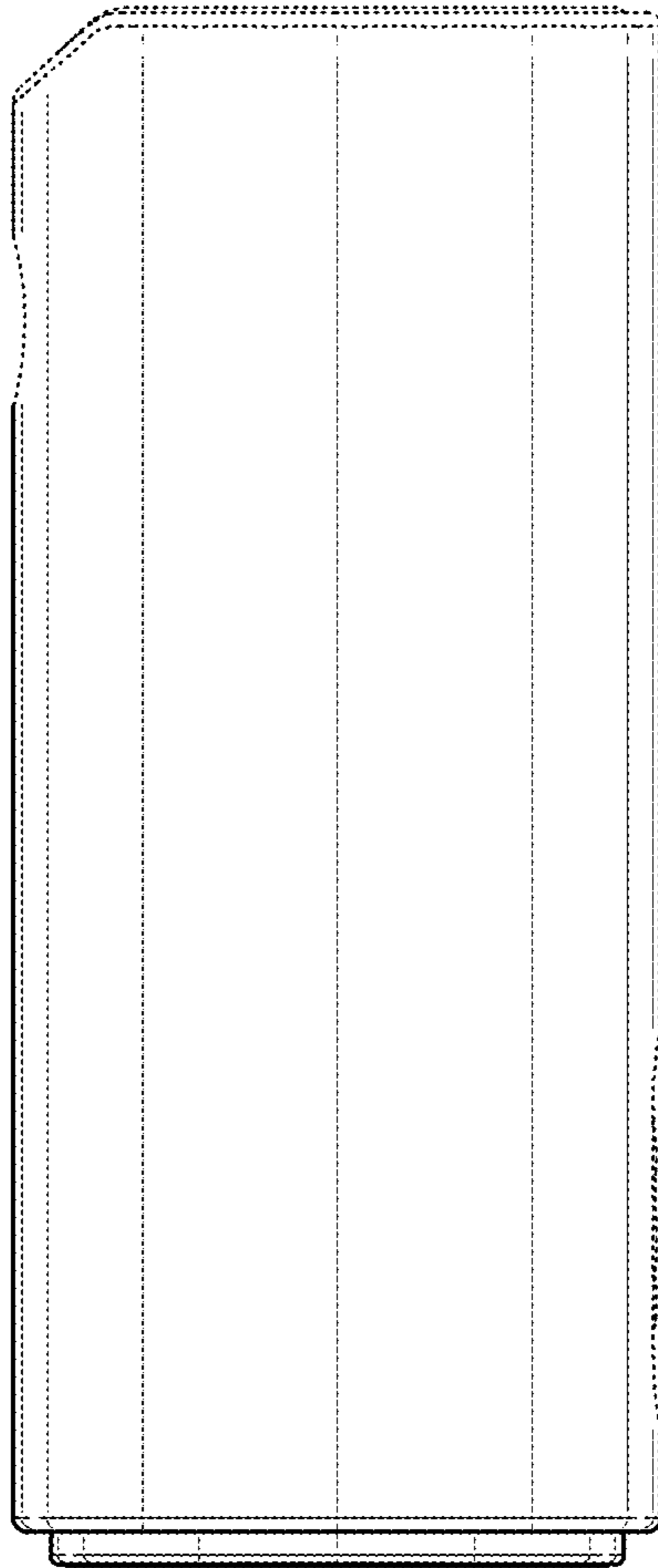


FIG. 6

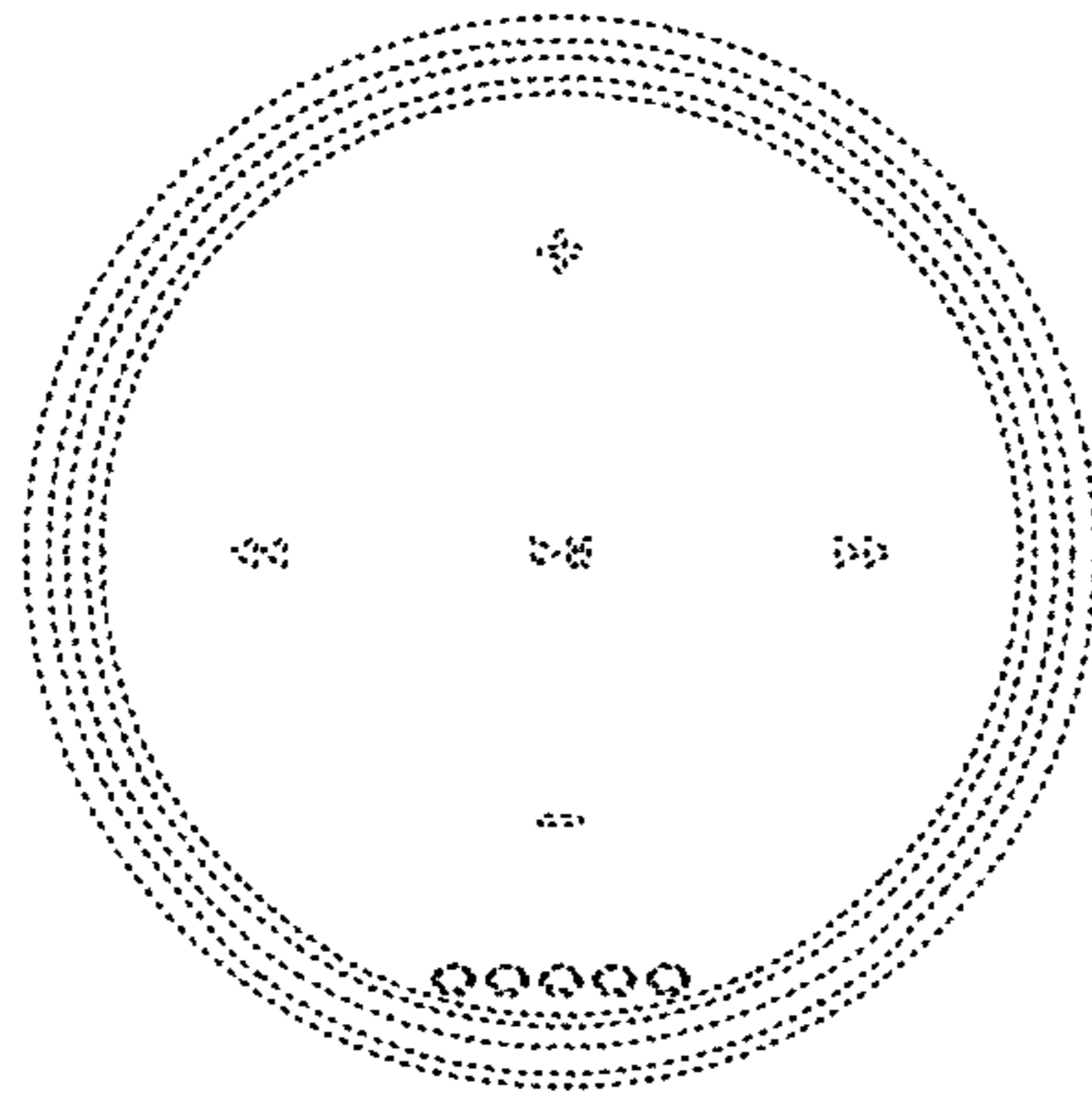


FIG. 7

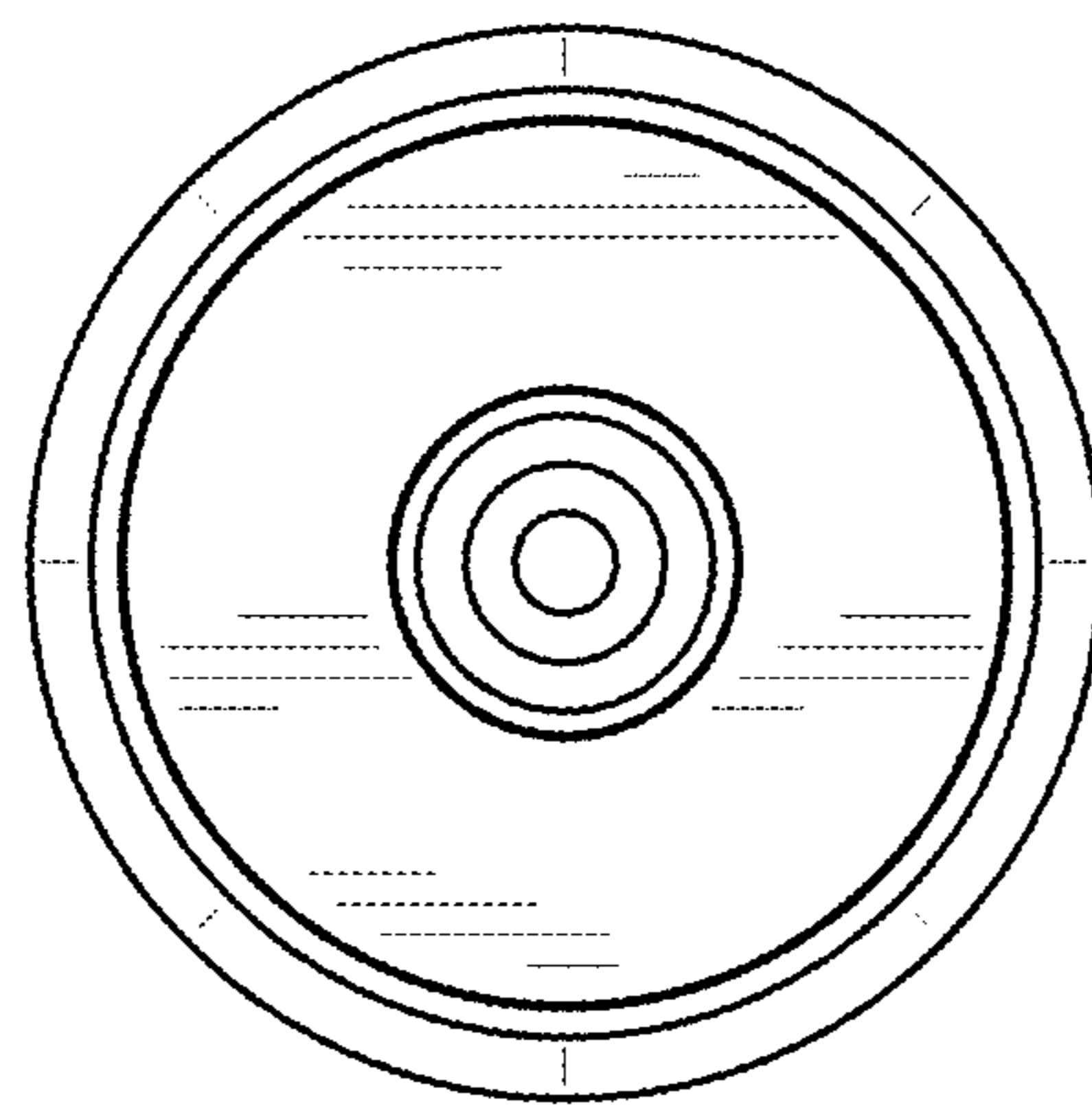


FIG. 8