



US00D810134S

(12) **United States Design Patent**  
**Langhammer et al.**

(10) **Patent No.:** **US D810,134 S**  
(45) **Date of Patent:** **\*\* Feb. 13, 2018**

(54) **AUDIO INPUT/OUTPUT DEVICE**

715/727-729, 864; 710/1, 5, 8; 713/1,  
713/600; 455/1.1, 1.7, 73, 344-347, 93,  
455/95, 3.01-3.06, 550.1, 573.1;

(71) Applicant: **Amazon Technologies, Inc.**, Seattle,  
WA (US)

(Continued)

(72) Inventors: **Heinz-Dominik Langhammer**, San  
Francisco, CA (US); **Marc Rene**  
**Walliser**, San Francisco, CA (US);  
**Robert Brian Curtis**, San Francisco,  
CA (US); **Christopher Green**, San  
Francisco, CA (US)

(56) **References Cited**

U.S. PATENT DOCUMENTS

3,931,867 A \* 1/1976 Janszen ..... H04R 1/24  
181/144  
4,756,382 A \* 7/1988 Hudson ..... H04R 1/227  
181/141

(Continued)

OTHER PUBLICATIONS

Canadian Office Action dated Nov. 5, 2015 for Canadian design  
application No. 161052, a counterpart foreign application of Design  
U.S. Appl. No. 29/503,695, 1 page.

(Continued)

*Primary Examiner* — Prabhakar Deshmukh  
(74) *Attorney, Agent, or Firm* — Lee & Hayes, PLLC

(73) Assignee: **Amazon Technologies, Inc.**, Seattle,  
WA (US)

(\*\*) Term: **15 Years**

(21) Appl. No.: **29/589,475**

(22) Filed: **Dec. 30, 2016**

(57) **CLAIM**

The ornamental design for an audio input/output device, as  
shown and described.

**Related U.S. Application Data**

(63) Continuation of application No. 29/543,578, filed on  
Oct. 26, 2015, now Pat. No. Des. 778,956, which is a  
continuation of application No. 29/503,695, filed on  
Sep. 29, 2014, now Pat. No. Des. 744,541.

(51) **LOC (11) Cl.** ..... **14-03**

(52) **U.S. Cl.**  
USPC ..... **D14/496**; D14/203.1

(58) **Field of Classification Search**  
USPC ..... D14/496, 401, 435, 474, 483, 217, 137,  
D14/138, 160, 168, 356, 203.1-203.8,  
D14/507; 345/156, 169, 173-179, 905;

**DESCRIPTION**

FIG. 1 is a perspective view of an audio input/output device;  
FIG. 2 is another perspective view of the audio input/output  
device of FIG. 1;  
FIG. 3 is a front view of the audio input/output device of  
FIG. 1;  
FIG. 4 is a back view of the audio input/output device of  
FIG. 1;  
FIG. 5 is a left-side view of the audio input/output device of  
FIG. 1, the right-side view of the audio input/output device  
being a mirror image of the left-side;  
FIG. 6 is a top view of the audio input/output device of FIG.  
1; and,

(Continued)

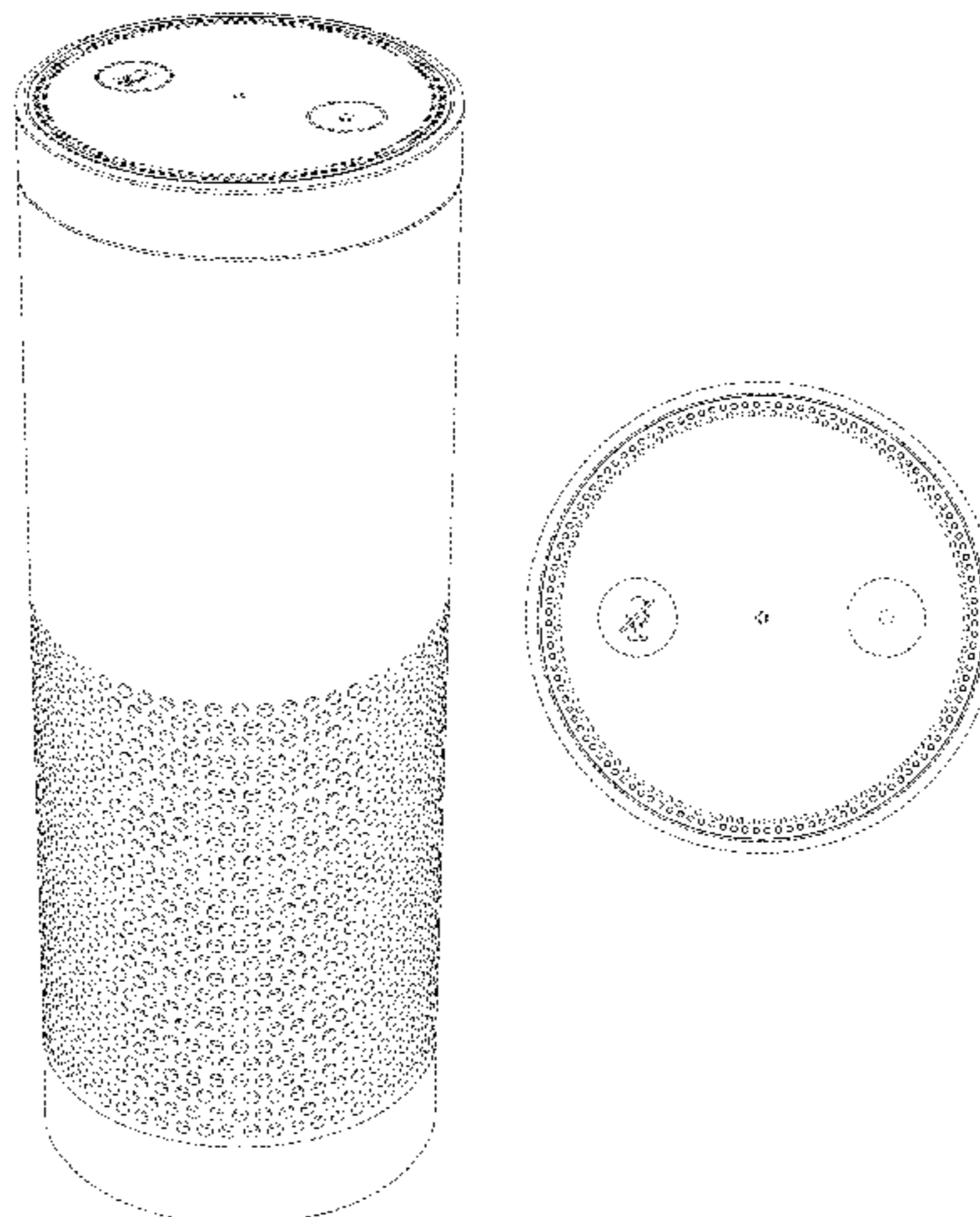


FIG. 7 is a bottom view of the audio input/output device of FIG. 1.

The broken lines are directed to unclaimed portions and form no part of the claimed design.

**1 Claim, 6 Drawing Sheets**

(58) **Field of Classification Search**

USPC ..... 370/342-344; 369/1, 2, 6-12;  
463/43-47; 273/148 B

CPC .. A63F 13/00; A63F 11/00; A63F 2300/8047;  
G06F 17/00

See application file for complete search history.

(56) **References Cited**

U.S. PATENT DOCUMENTS

5,319,164	A *	6/1994	Shen .....	H04R 1/025 181/150
5,914,707	A	6/1999	Kono	
6,966,651	B2	11/2005	Johnson	
7,209,648	B2	4/2007	Barber et al.	
D546,347	S	7/2007	Millora	
D563,391	S	3/2008	Skurdal	
D579,950	S	11/2008	Shimizu	
D588,011	S	3/2009	Shimizu	
7,639,478	B2 *	12/2009	Wu .....	H05K 5/0008 312/223.2
D609,718	S *	2/2010	Chang .....	D14/203.3
D611,036	S	3/2010	Cooper et al.	
D613,270	S	4/2010	Cooper et al.	

D615,556	S	5/2010	Yeo et al.	
D616,464	S	5/2010	Park	
8,175,304	B1 *	5/2012	North .....	H04R 1/403 381/17
8,315,046	B2	11/2012	Cooper	
D686,186	S	7/2013	Kaneko et al.	
D687,017	S	7/2013	Ashcraft et al.	
8,504,936	B2	8/2013	Gimpl et al.	
D697,496	S *	1/2014	Ashcraft .....	D14/216
D698,753	S	2/2014	Yiu et al.	
D718,335	S	11/2014	Lee et al.	
D719,976	S	12/2014	Bang et al.	
D723,514	S *	3/2015	Lukic .....	D14/213
D725,976	S *	4/2015	Sikes .....	D8/1
D744,541	S	12/2015	Langhammer et al.	
D766,213	S *	9/2016	Hinokio .....	D14/216
D797,973	S *	9/2017	Rousseau .....	D26/63

OTHER PUBLICATIONS

Indian Office Action dated Jun. 15, 2015 for Indian patent application No. 270565, a counterpart foreign application of U.S. Appl. No. 29/503,695, 46 pages.

Japanese Office Action dated Nov. 13, 2015 for Japanese patent application No. 2015-004370, a counterpart foreign application of U.S. Appl. No. 29/503,695, 4 pages.

Translated Japanese Office Action dated Jun. 12, 2015 for Japanese patent application No. 2015-004370, a counterpart foreign application of U.S. Appl. No. 29/503,695, 4 pages.

Korean Office Action mailed Oct. 30, 2015 for Korean patent application No. 30-2015-11271, a counterpart foreign application of U.S. Appl. No. 29/503,695, 2 pages.

Stelle Audio Couture, The Pillar, Quick Start Guide, 2013, 60 pages.

\* cited by examiner

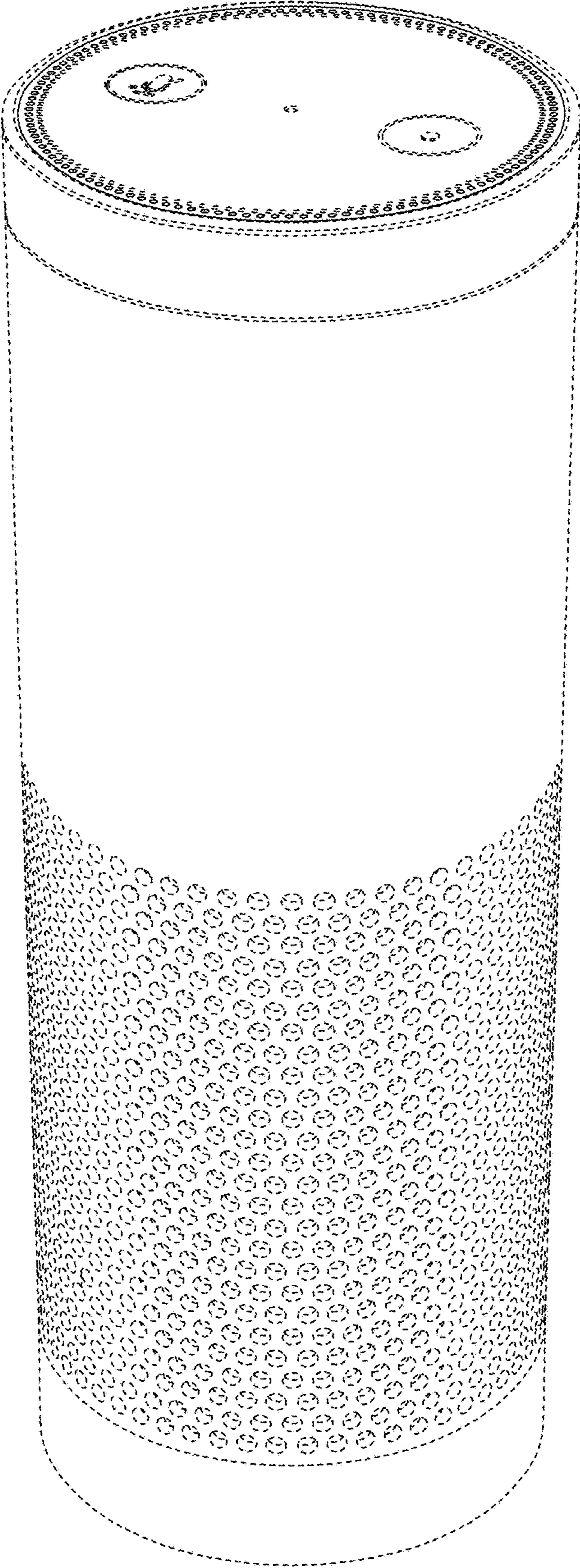


FIG. 1

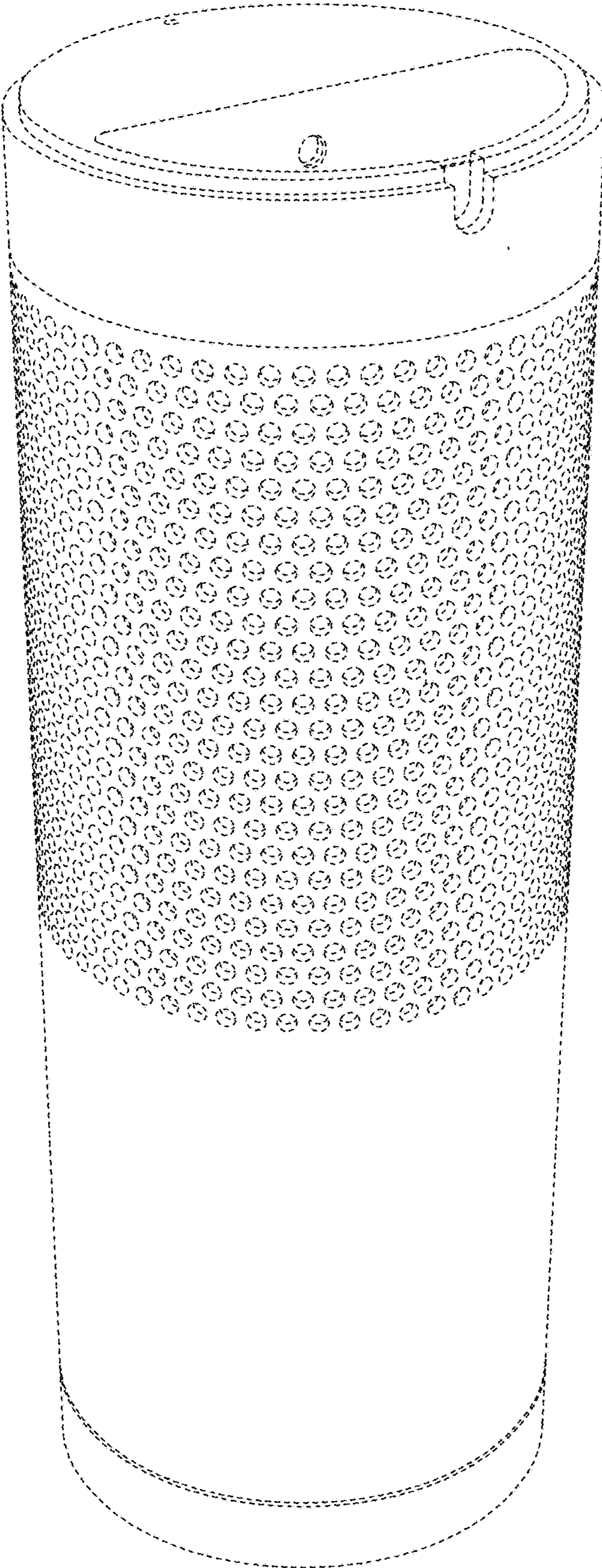


FIG. 2

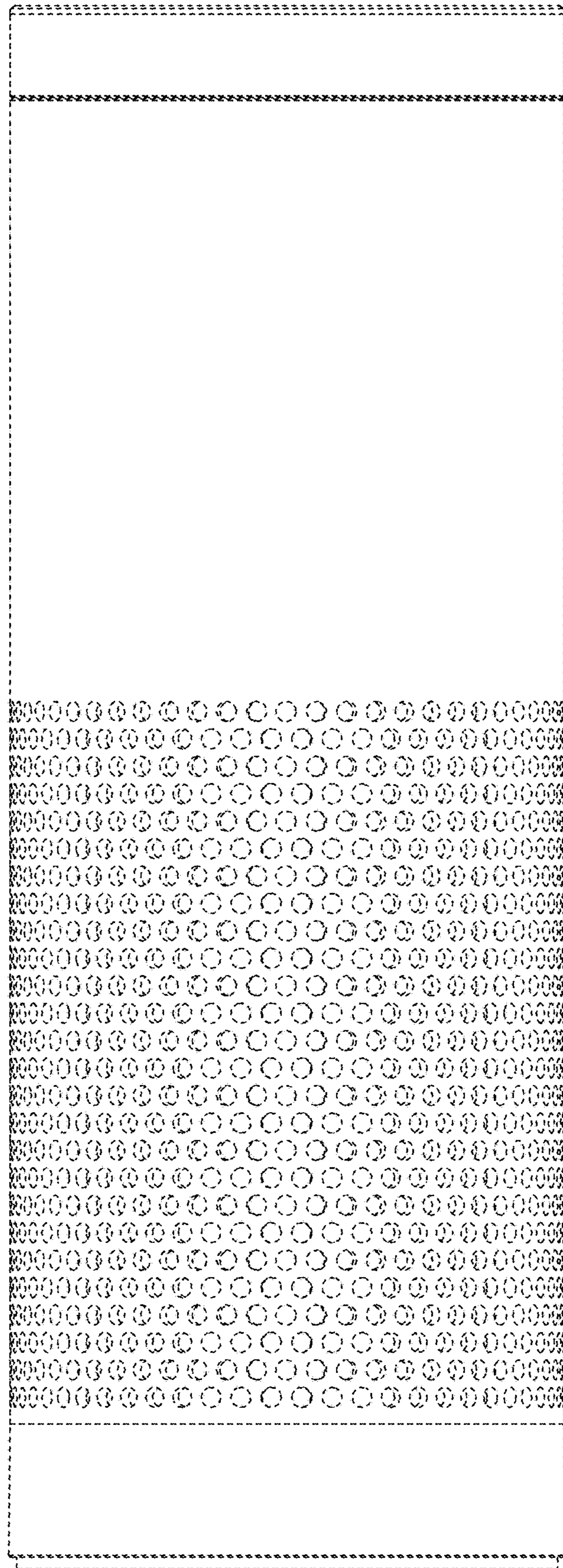


FIG. 3

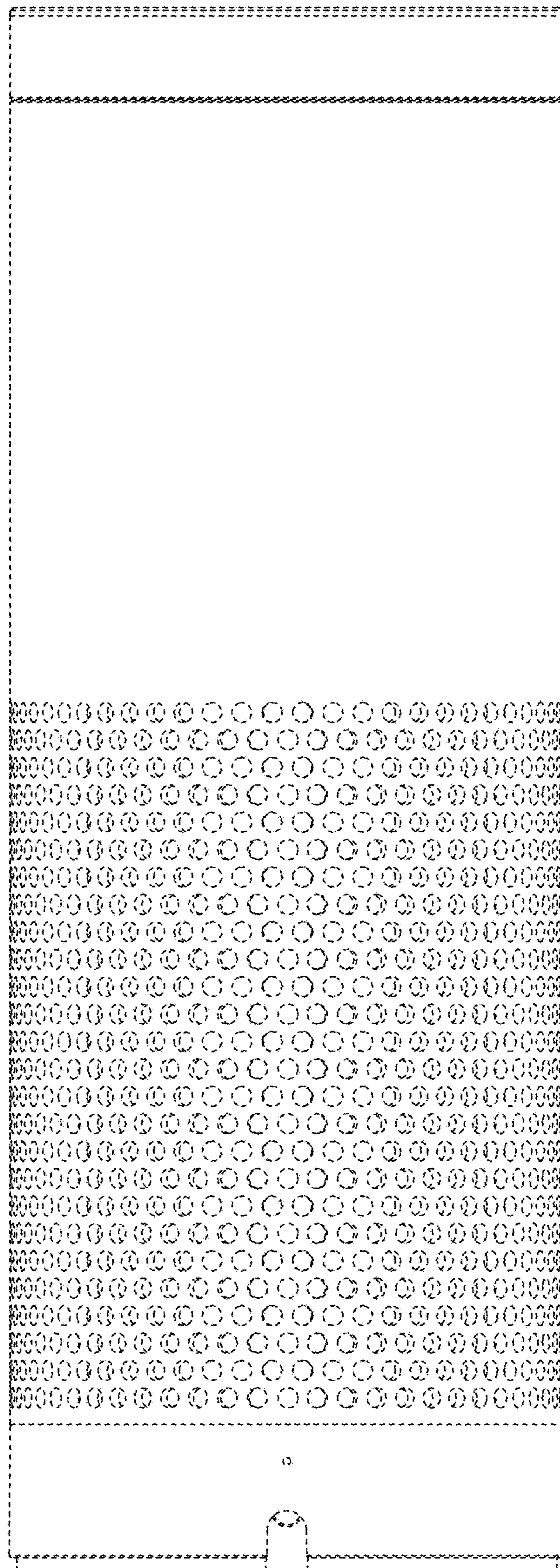


FIG. 4

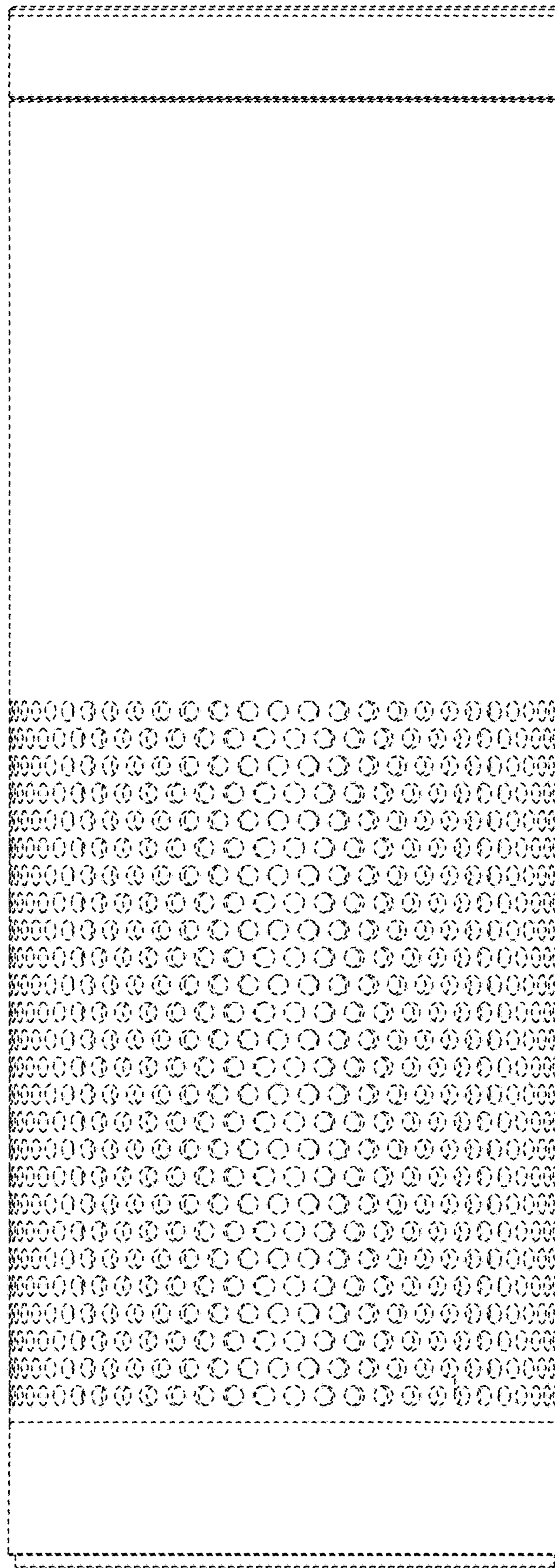


FIG. 5

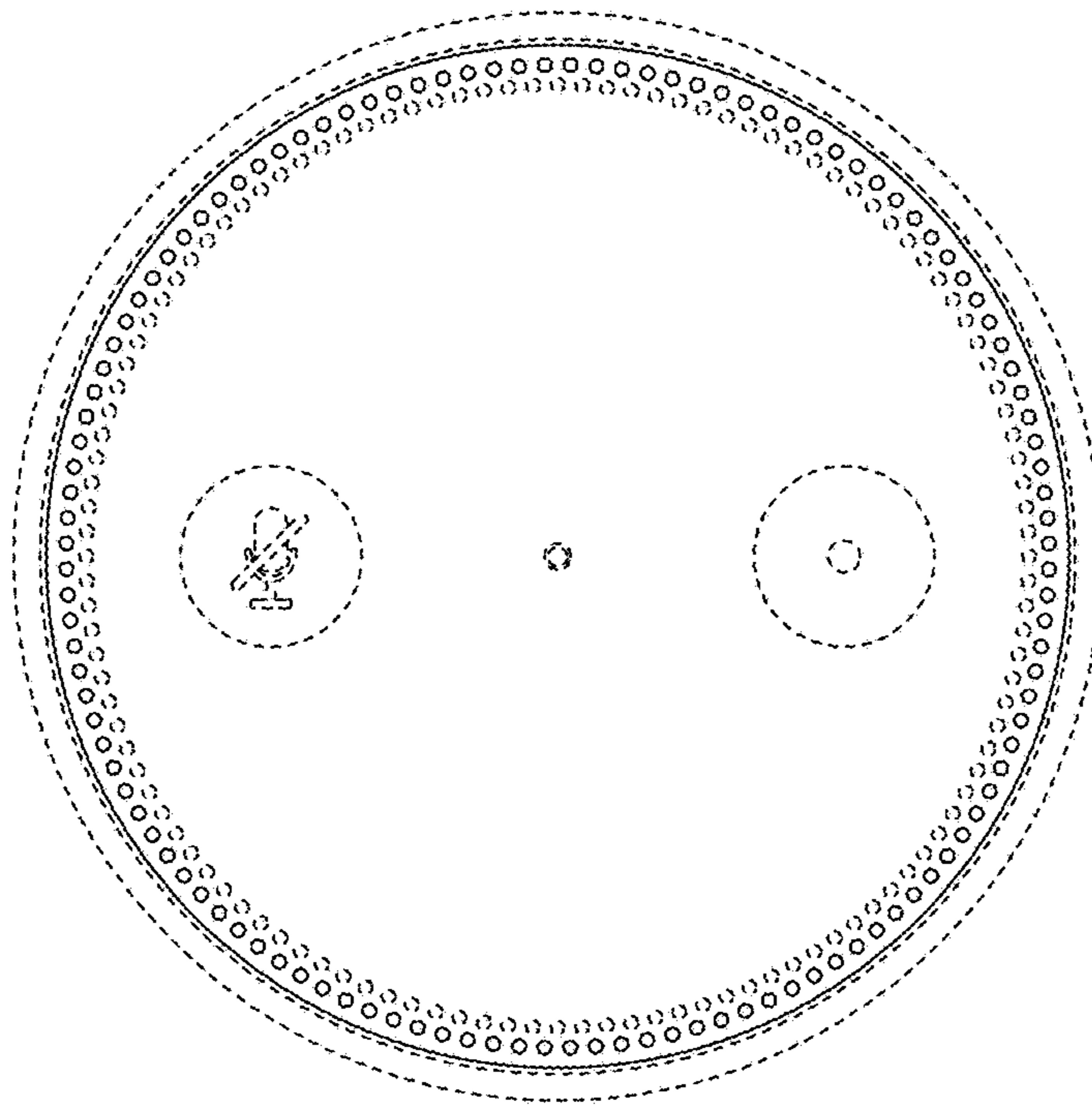


FIG. 6

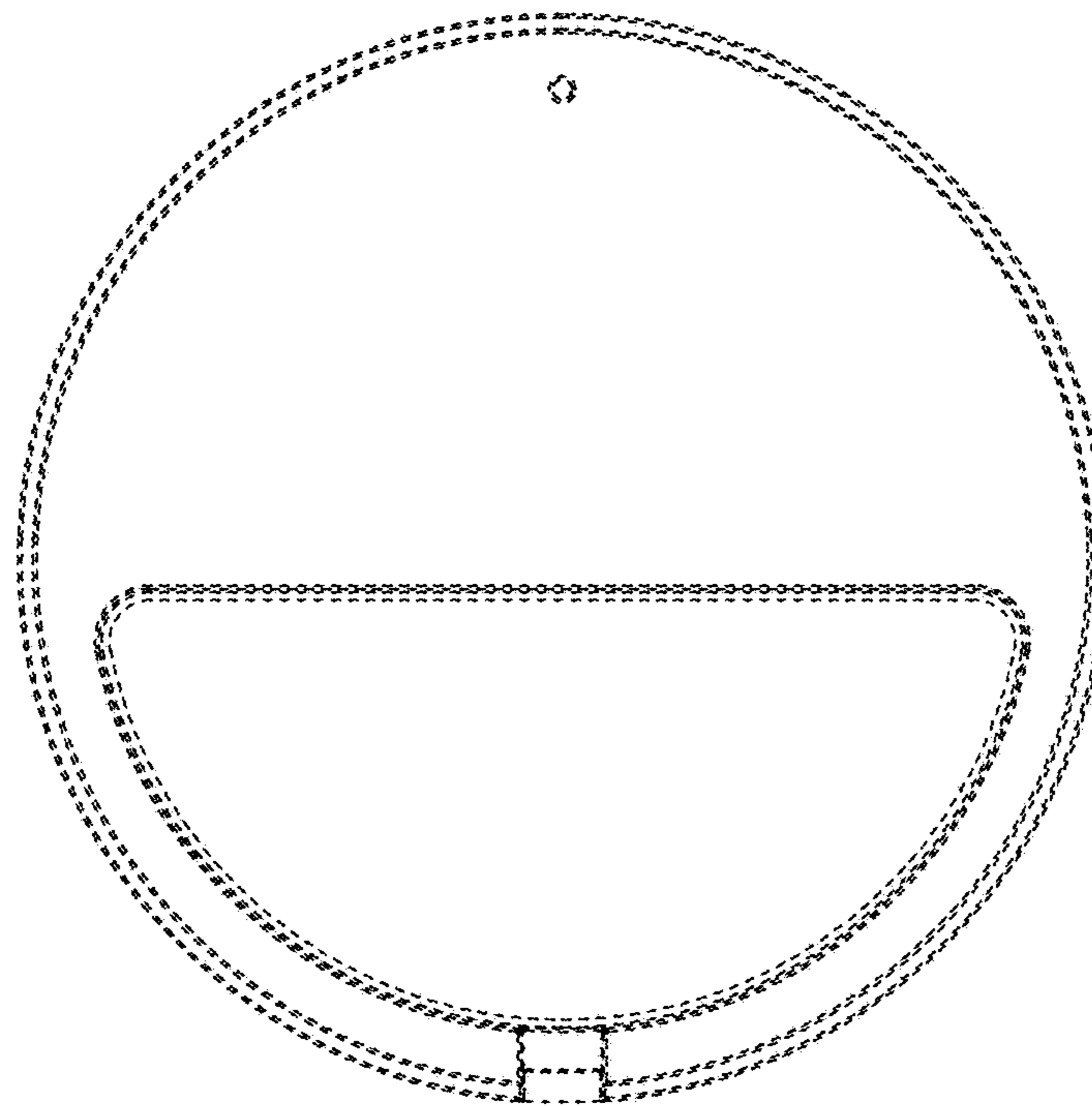


FIG. 7