



US00D810124S

(12) **United States Design Patent**
Wilberding et al.

(10) **Patent No.:** **US D810,124 S**
(45) **Date of Patent:** **** Feb. 13, 2018**

(54) **DISPLAY SCREEN OR PORTION THEREOF WITH ANIMATED GRAPHICAL USER INTERFACE ELEMENTS INCORPORATING OVERLAPPING CIRCLES**

(71) Applicant: **Sonos, Inc.**, Santa Barbara, CA (US)

(72) Inventors: **Dayn Wilberding**, Santa Barbara, CA (US); **Sein Woo**, Santa Barbara, CA (US)

(73) Assignee: **Sonos, Inc.**, Santa Barbara, CA (US)

(**) Term: **15 Years**

(21) Appl. No.: **29/571,976**

(22) Filed: **Jul. 22, 2016**

(51) **LOC (11) Cl.** **14-04**

(52) **U.S. Cl.**
USPC **D14/488**; D14/490

(58) **Field of Classification Search**
USPC D14/485–495; 345/1.1, 1.2, 2.1–2.3, 3.1, 345/902; 715/763, 810, 836, 837, 846, 715/847, 977

(Continued)

(56) **References Cited**

U.S. PATENT DOCUMENTS

D684,190 S * 6/2013 Ridl D14/491
D691,629 S * 10/2013 Matas D14/488

(Continued)

Primary Examiner — Cathron Brooks

Assistant Examiner — Christian P McLean

(74) *Attorney, Agent, or Firm* — KPPB LLP

(57) **CLAIM**

The ornamental design for a display screen or portion thereof with animated graphical user interface elements incorporating overlapping circles, as shown and described.

DESCRIPTION

The patent or application file contains at least one drawing executed in color. Copies of this patent or patent application

publication with color drawing(s) will be provided by the Office upon request and payment of the necessary fee.

FIG. 1 is a front elevational view of a first state for a first embodiment of a display screen or portion thereof with animated graphical user interface elements incorporating overlapping circles;

FIG. 2 is a front elevational view of a second state for the first embodiment of the display screen or portion thereof with animated graphical user interface elements incorporating overlapping circles;

FIG. 3 is a front elevational view of a third state for the first embodiment of the display screen or portion thereof with animated graphical user interface elements incorporating overlapping circles;

FIG. 4 is a front elevational view of a fourth state for the first embodiment of the display screen or portion thereof with animated graphical user interface elements incorporating overlapping circles;

FIG. 5 is a front elevational view of a fifth state for the first embodiment of the display screen or portion thereof with animated graphical user interface elements incorporating overlapping circles;

FIG. 6 is a front elevational view of a sixth state for the first embodiment of the display screen or portion thereof with animated graphical user interface elements incorporating overlapping circles;

FIG. 7 is a front elevational view of a seventh state for the first embodiment of the display screen or portion thereof with animated graphical user interface elements incorporating overlapping circles;

FIG. 8 is a front elevational view of an eighth state for the first embodiment of the display screen or portion thereof with animated graphical user interface elements incorporating overlapping circles;

FIG. 9 is a front elevational view of a first state for a second embodiment of a display screen or portion thereof with animated graphical user interface elements incorporating overlapping circles;

FIG. 10 is a front elevational view of a second state for the second embodiment of the display screen or portion thereof with animated graphical user interface elements incorporating overlapping circles;

(Continued)

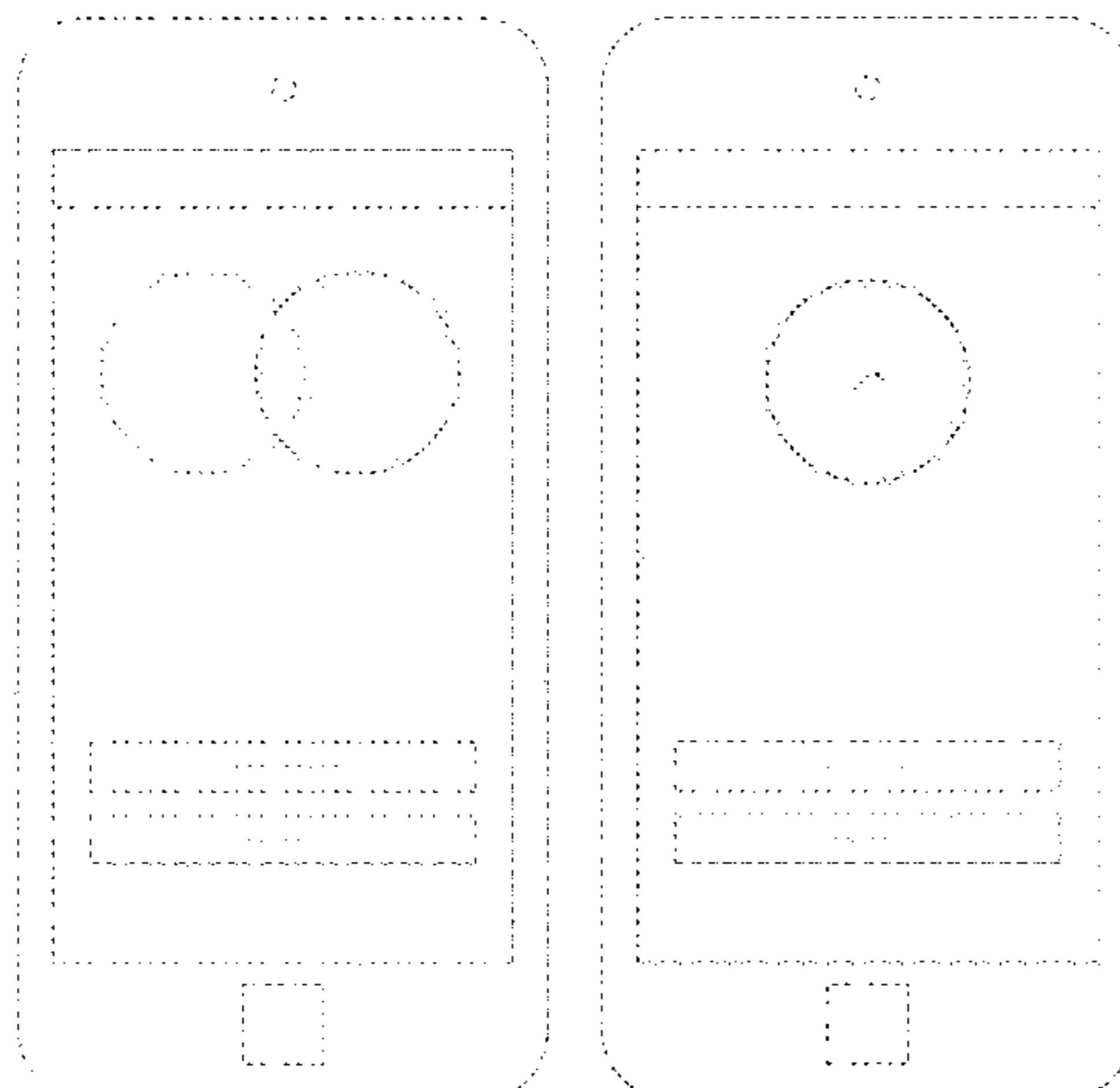


FIG. 11 is a front elevational view of a third state for the second embodiment of the display screen or portion thereof with animated graphical user interface elements incorporating overlapping circles;

FIG. 12 is a front elevational view of a fourth state for the second embodiment of the display screen or portion thereof with animated graphical user interface elements incorporating overlapping circles;

FIG. 13 is a front elevational view of a fifth state for the second embodiment of the display screen or portion thereof with animated graphical user interface elements incorporating overlapping circles;

FIG. 14 is a front elevational view of a sixth state for the second embodiment of the display screen or portion thereof with animated graphical user interface elements incorporating overlapping circles;

FIG. 15 is a front elevational view of a seventh state for the second embodiment of the display screen or portion thereof with animated graphical user interface elements incorporating overlapping circles; and,

FIG. 16 is a front elevational view of an eighth state for the second embodiment of the display screen or portion thereof with animated graphical user interface elements incorporating overlapping circles.

The broken line portions of the display device and graphical user interface forms no part of the claimed design.

The appearance of the image transitions sequentially between the images shown in FIGS. 1 through 8 and FIGS. 9 through 16. The process or period in which one image transitions to another forms no part of the claimed design.

**1 Claim, 16 Drawing Sheets
(8 of 16 Drawing Sheet(s) Filed in Color)**

(58) **Field of Classification Search**

CPC G06F 3/048; G06F 3/0481; G06F 3/04812;

G06F 3/04817; G06F 3/0482; G06F 3/0483; G06F 3/0484; G06F 3/04847; G06F 3/0485; G06F 3/04855; G06F 3/04886; G06Q 30/00; H03J 1/00; H03J 1/0008; H03J 1/0016; H03J 1/0025; H04N 5/00; H04N 5/08; H04N 5/14; H04N 5/222; H04N 5/225; H04N 5/232; H04N 5/445; H04N 5/44543; H04N 5/45; H04N 2005/44517; H04N 2005/44521; H04N 2005/44526; H04N 2005/4453; H04N 2005/44534; H04N 2005/44539; H04N 2005/44547; H04N 2005/44556; H04N 2005/4456; H04N 2005/44565; H04N 2005/44569; H04N 2005/44573; H04N 21/00; H04N 21/234; H04N 21/431; H04N 21/4312; H04N 21/4314; H04N 21/4316

See application file for complete search history.

(56)

References Cited

U.S. PATENT DOCUMENTS

D758,422	S *	6/2016	Zhao	G06F 3/04817 D14/488
D759,061	S *	6/2016	Sahoo	D14/485
D759,682	S *	6/2016	Myung	D14/485
D760,250	S *	6/2016	Myung	D14/485
D763,871	S *	8/2016	Yang	D14/485
D765,097	S *	8/2016	Harvell	D14/485
D766,282	S *	9/2016	Kaplan	D14/486
D767,629	S *	9/2016	Gupta	D14/492
D772,249	S *	11/2016	Choi	D14/485
D778,308	S *	2/2017	Wang	D14/486
D780,781	S *	3/2017	Ding	D14/486
D783,676	S *	4/2017	Kim	D14/489
D787,527	S *	5/2017	Wilberding	D14/485
2015/0355786	A1 *	12/2015	Sabatelli	G06F 3/0481 715/798
2017/0003875	A1 *	1/2017	Sheng	G06F 3/04886

* cited by examiner

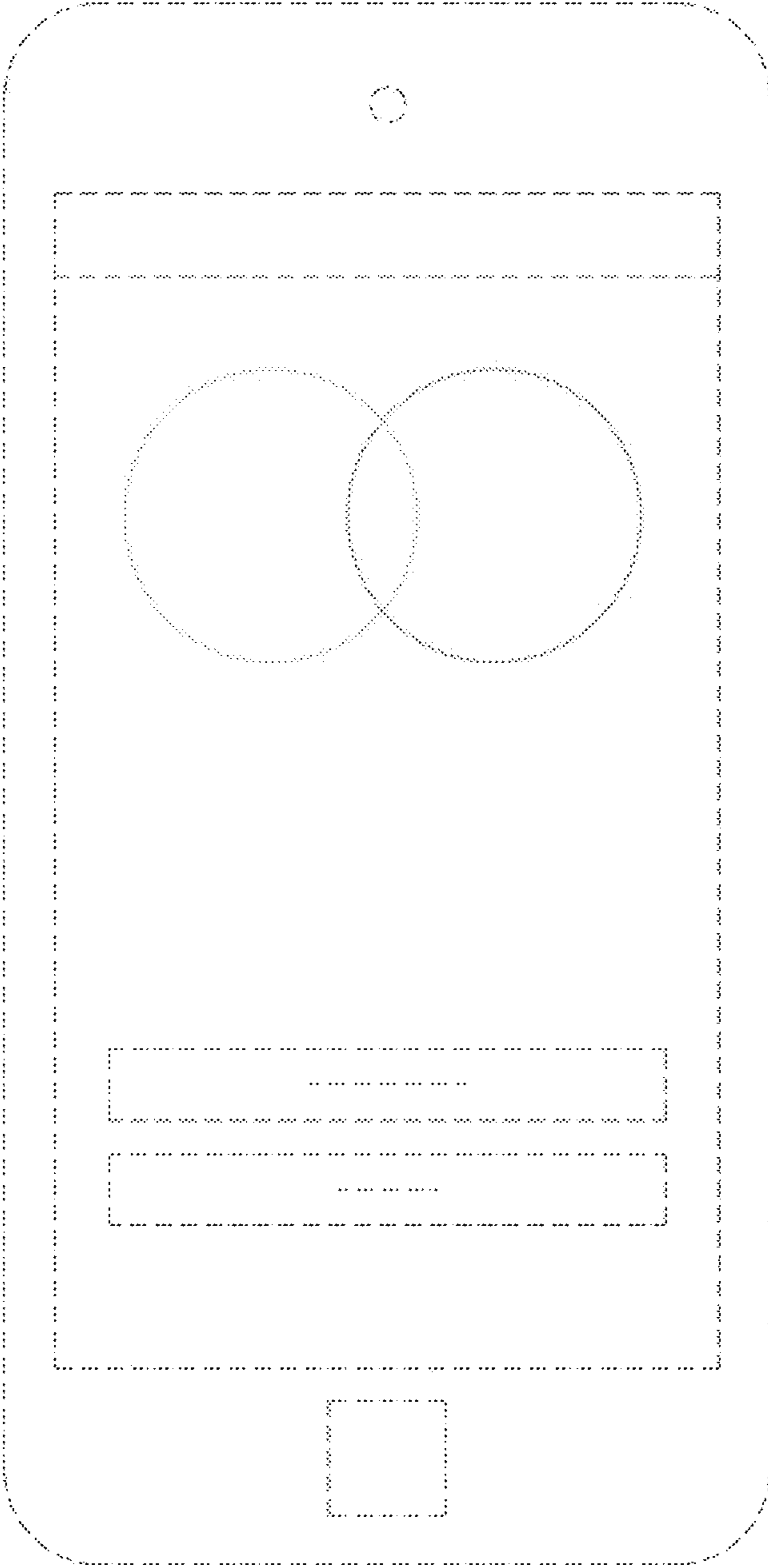


FIG. 1

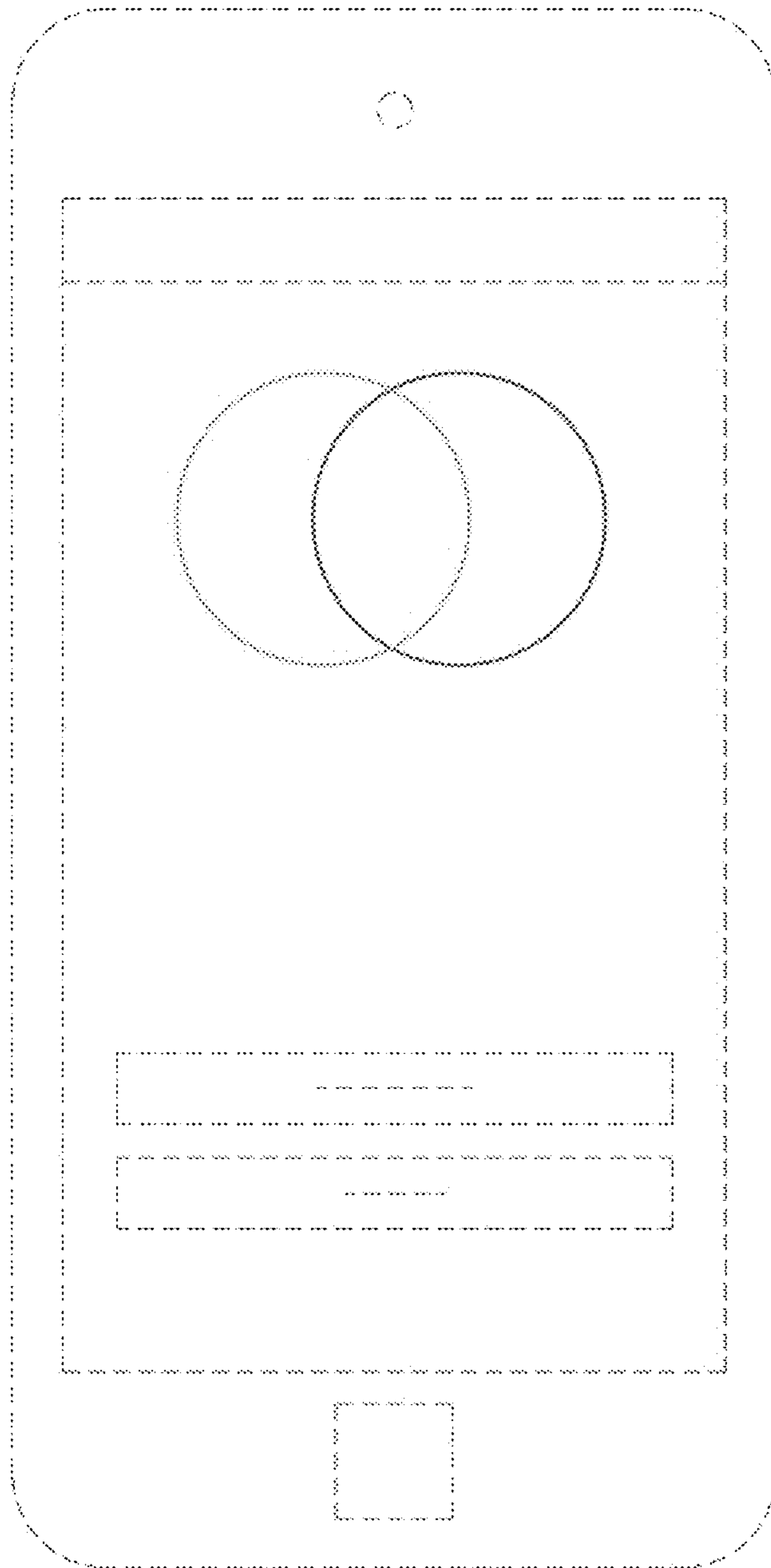


FIG. 2

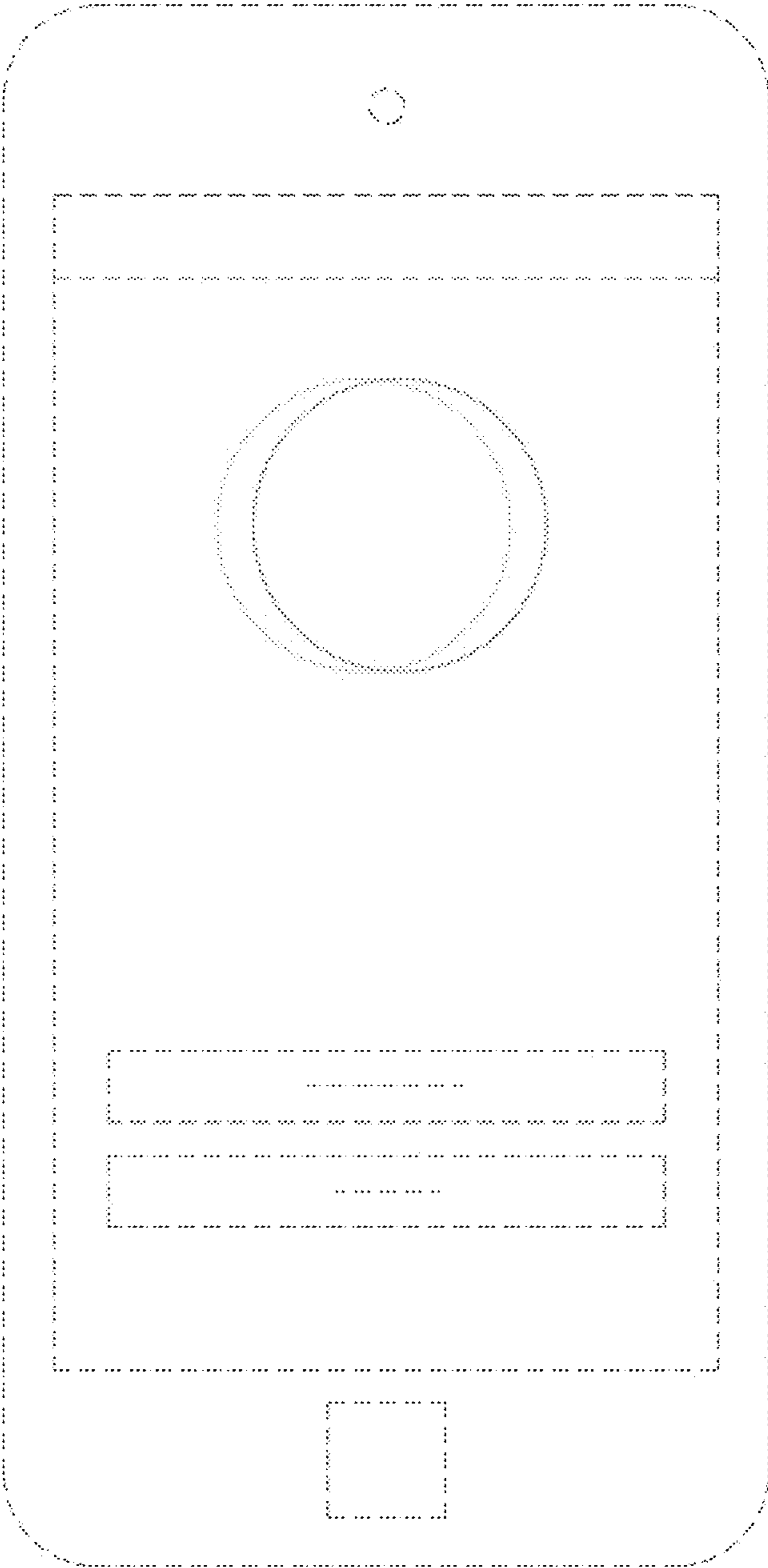


FIG. 3

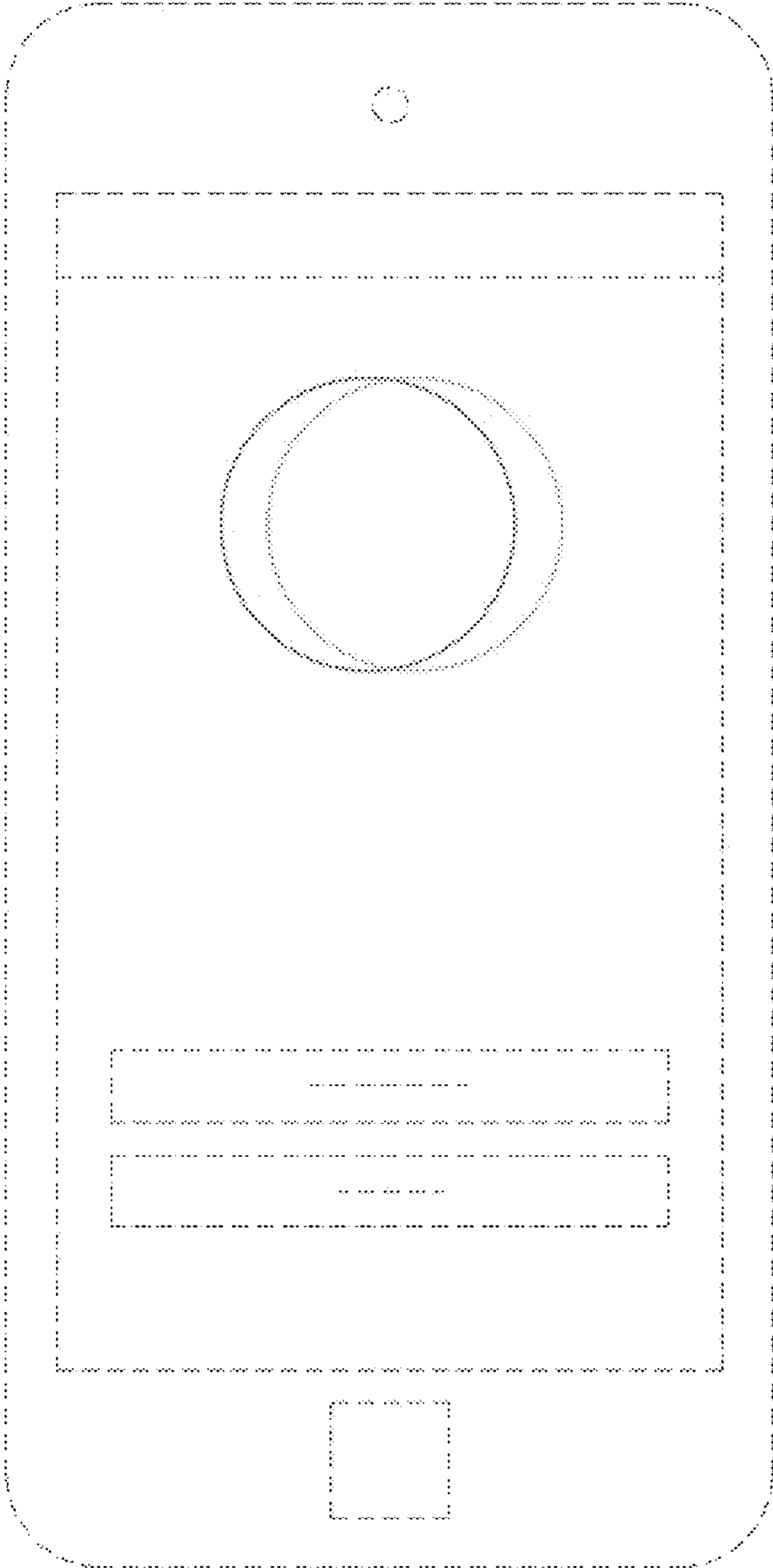


FIG. 4

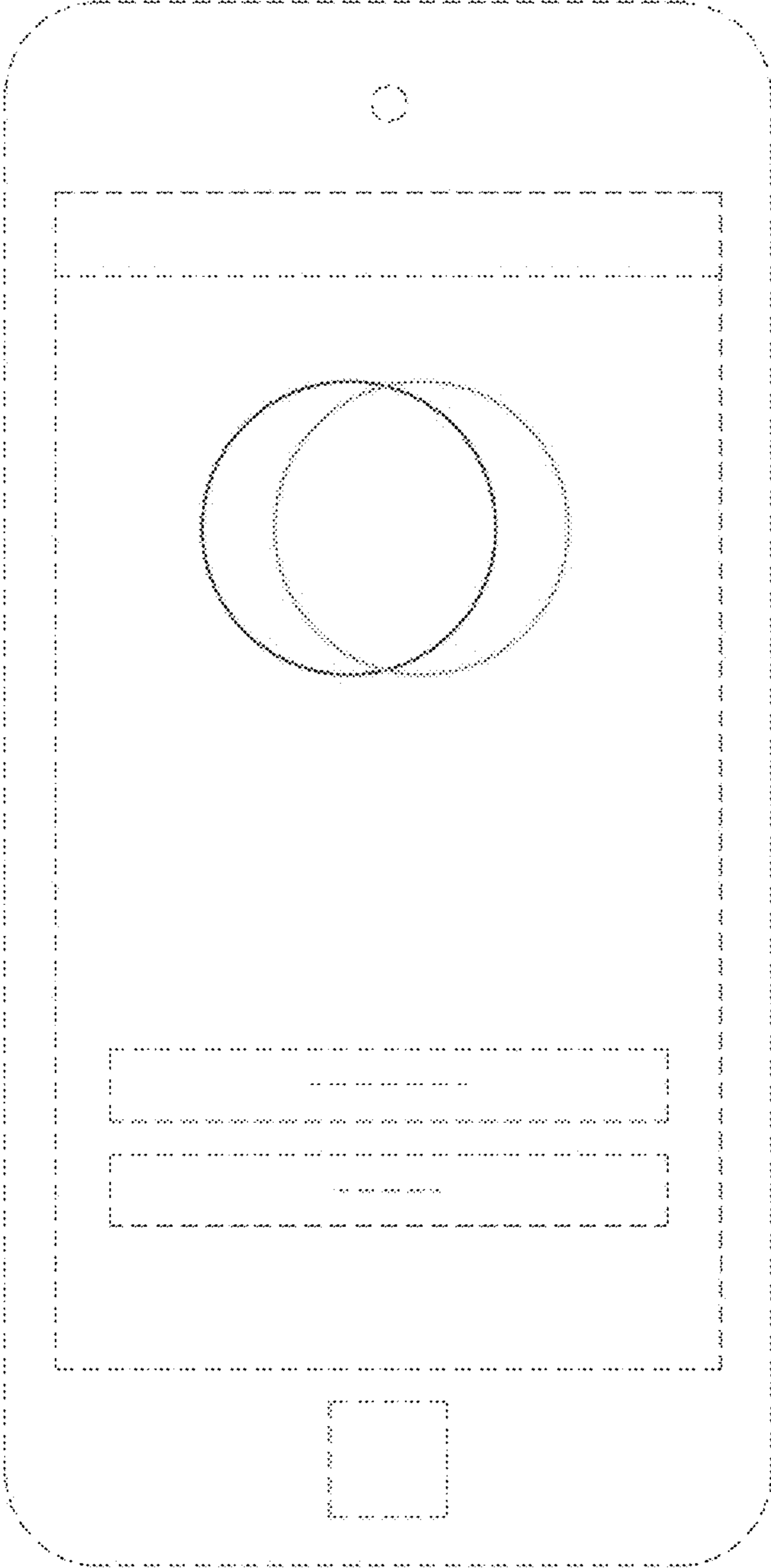


FIG. 5

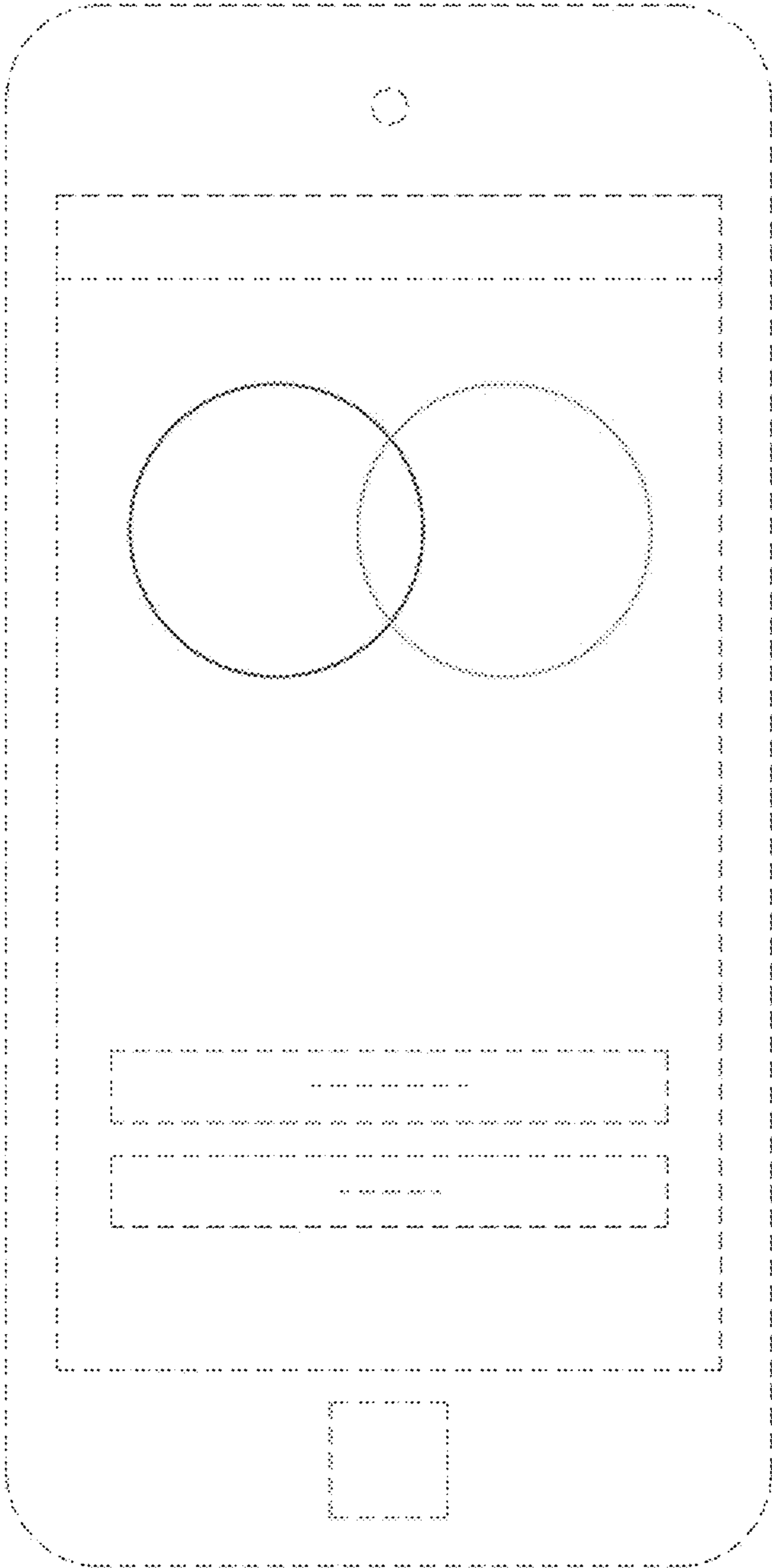


FIG. 6

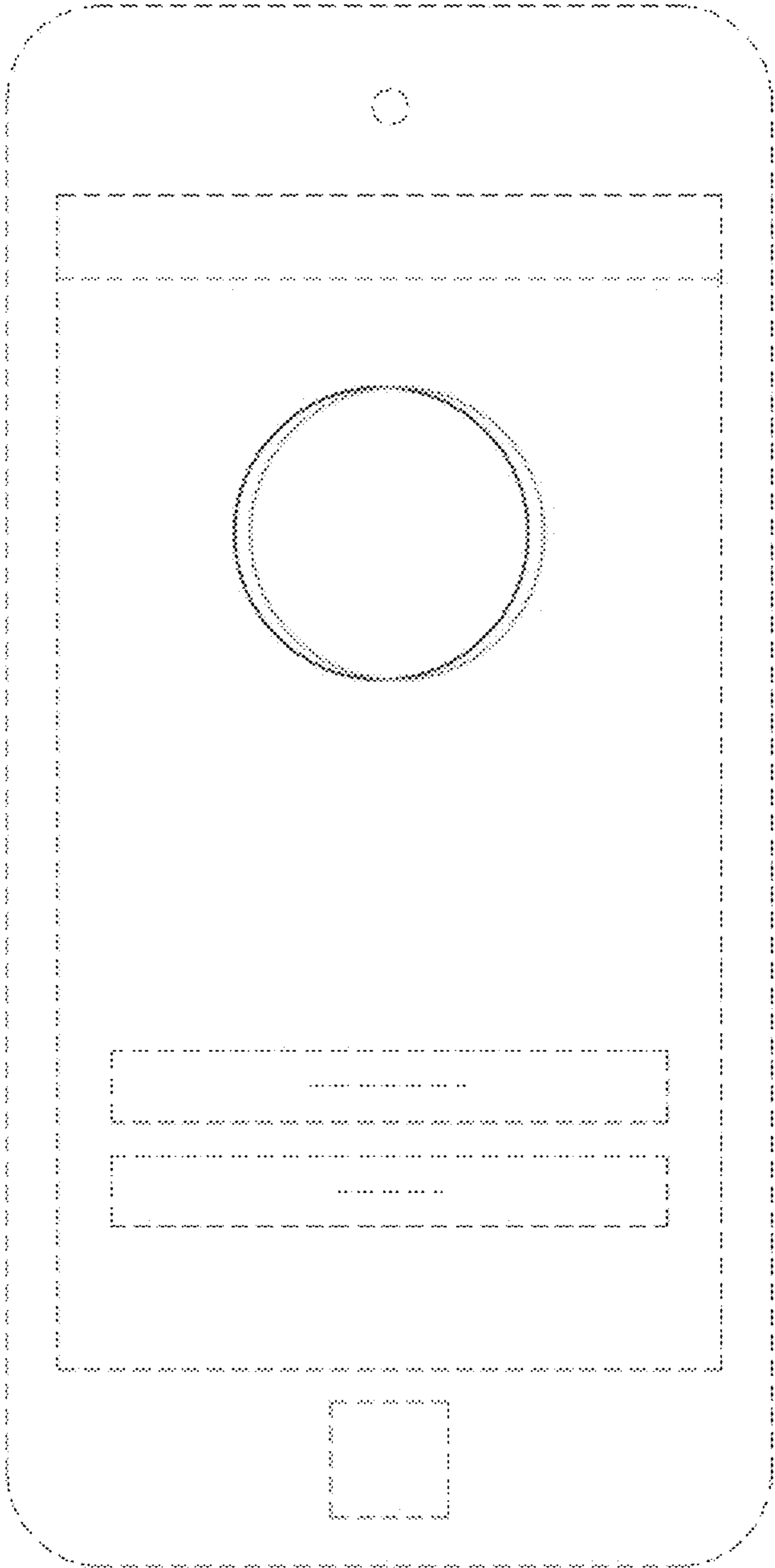


FIG. 7

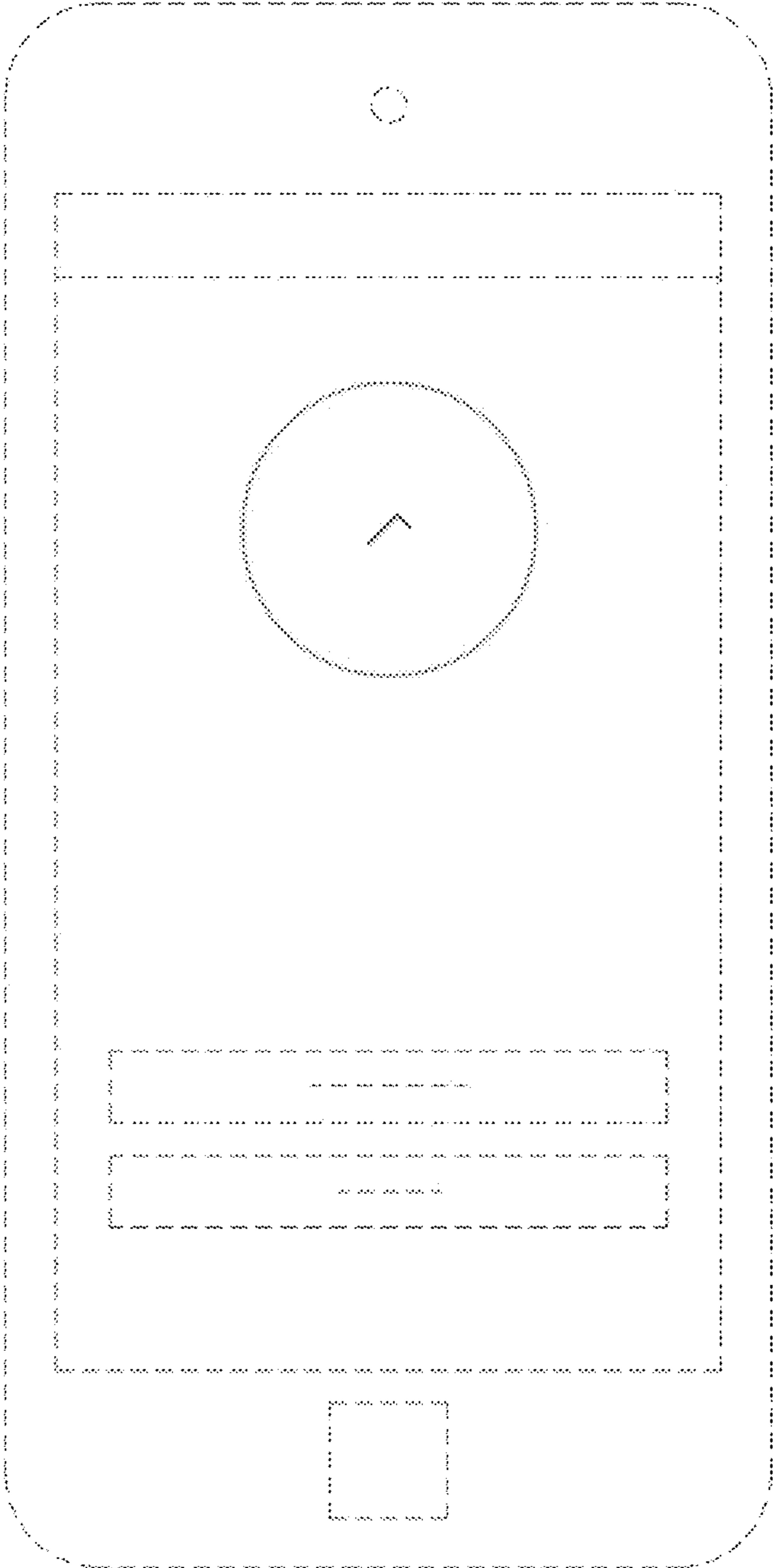


FIG. 8

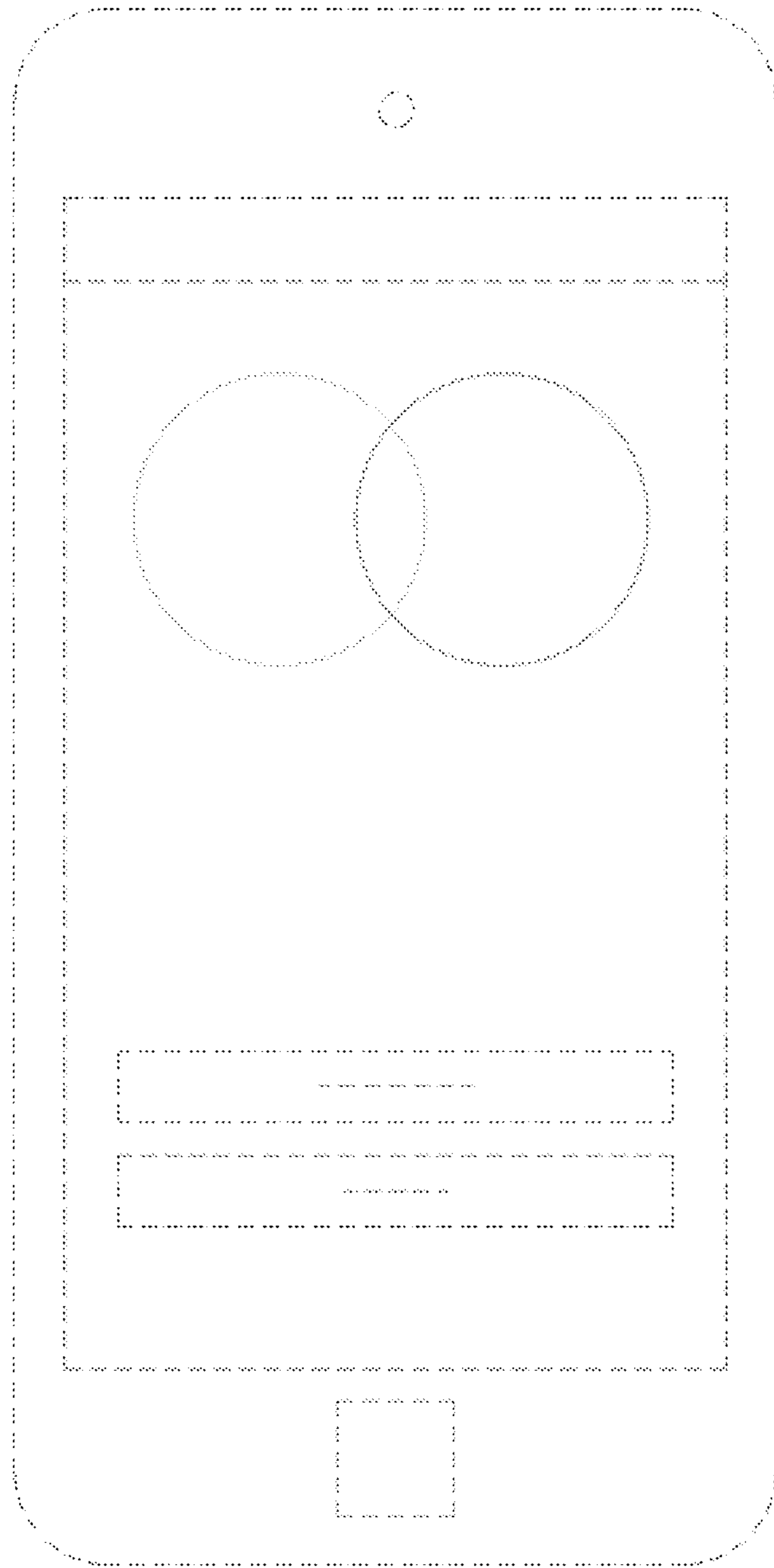


FIG. 9

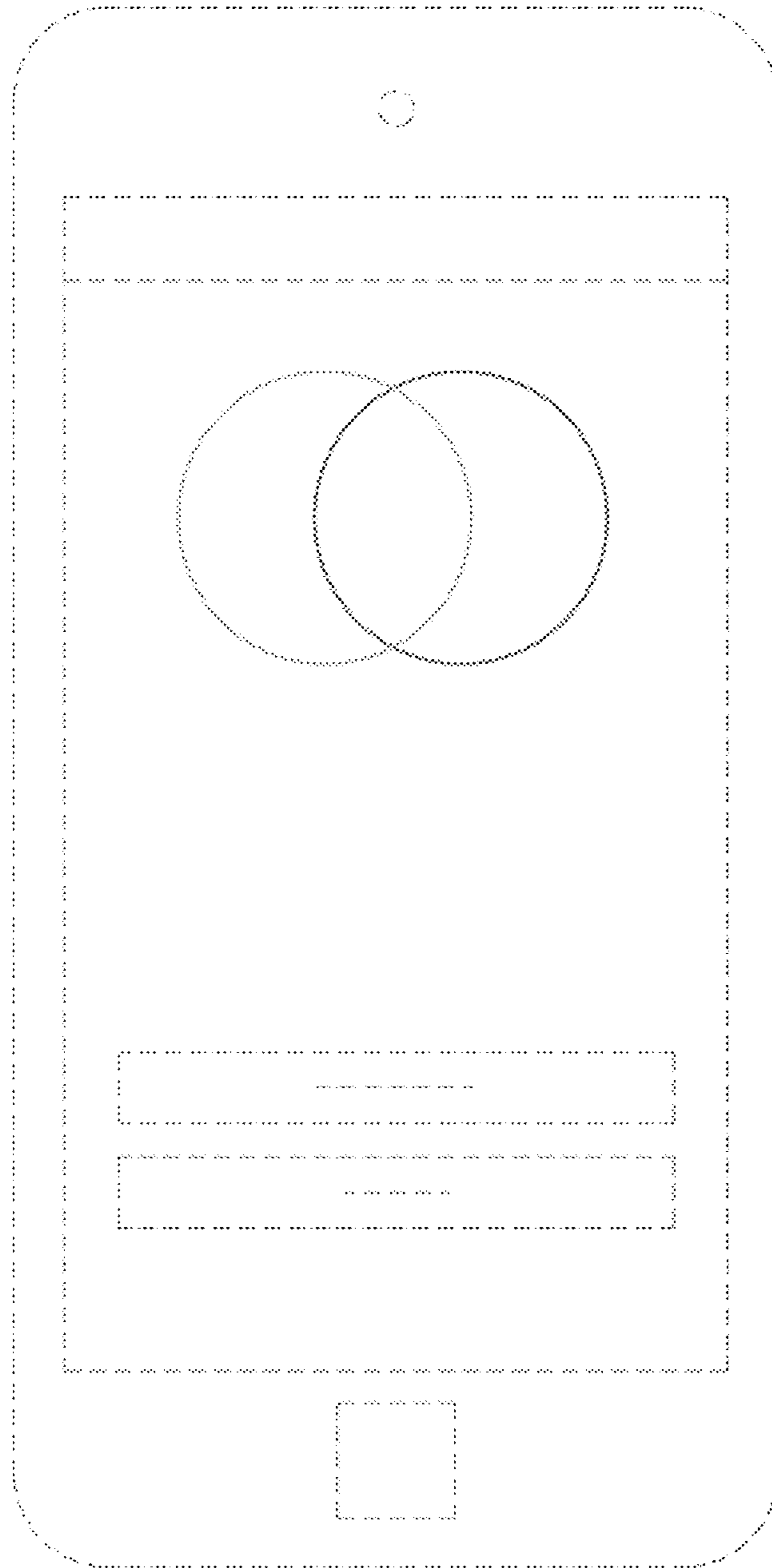


FIG. 10

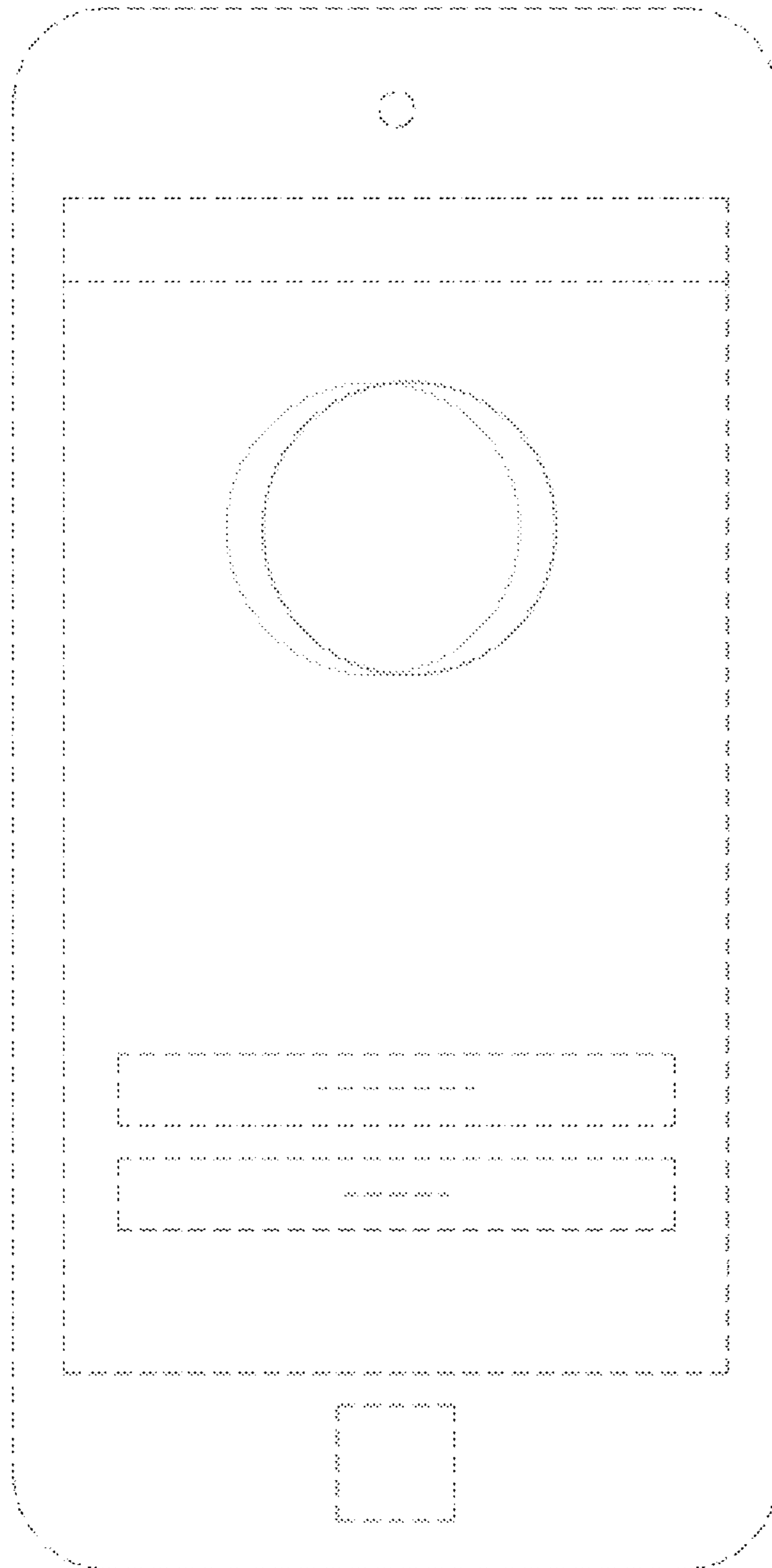


FIG. 11

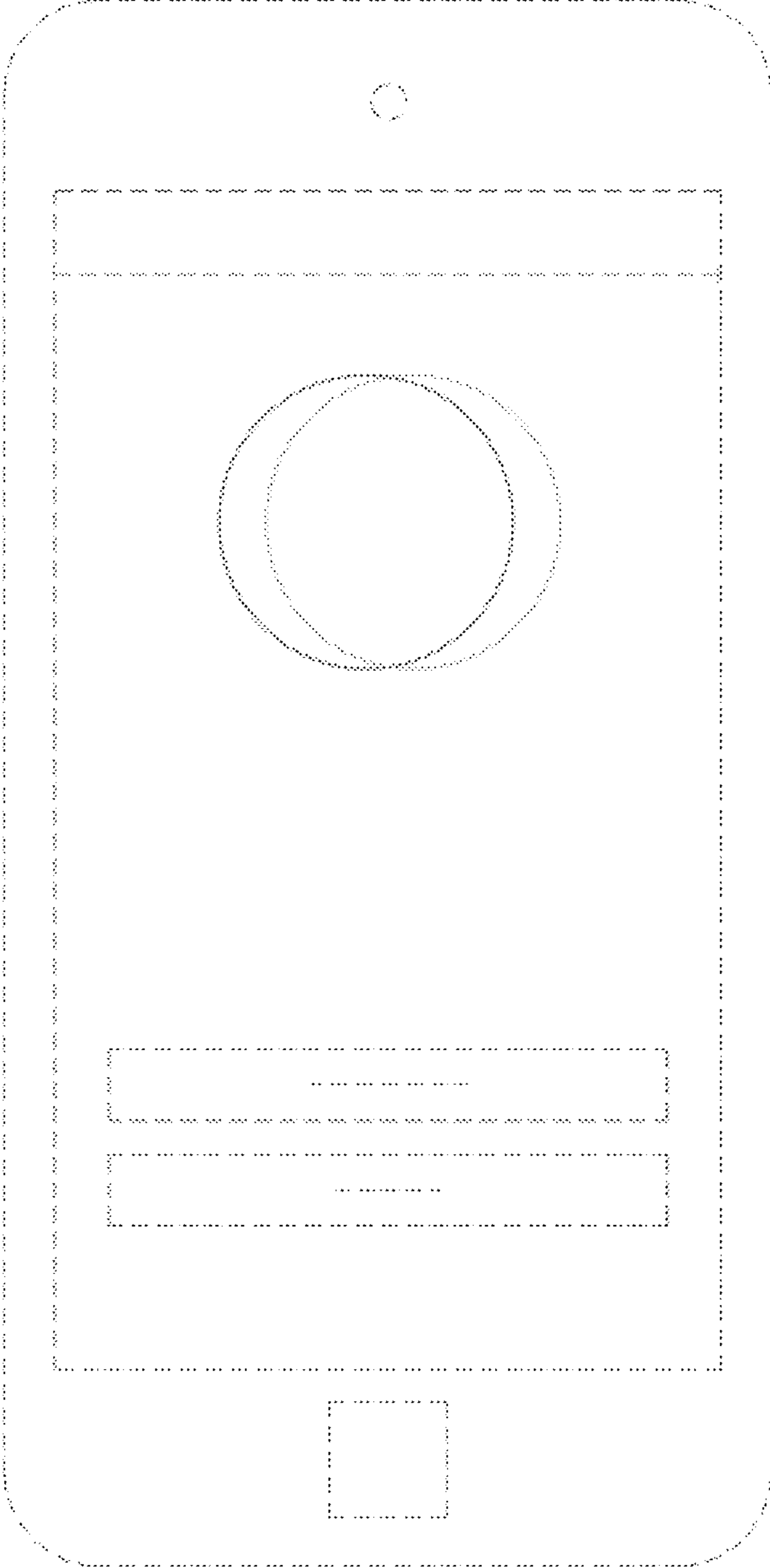


FIG. 12

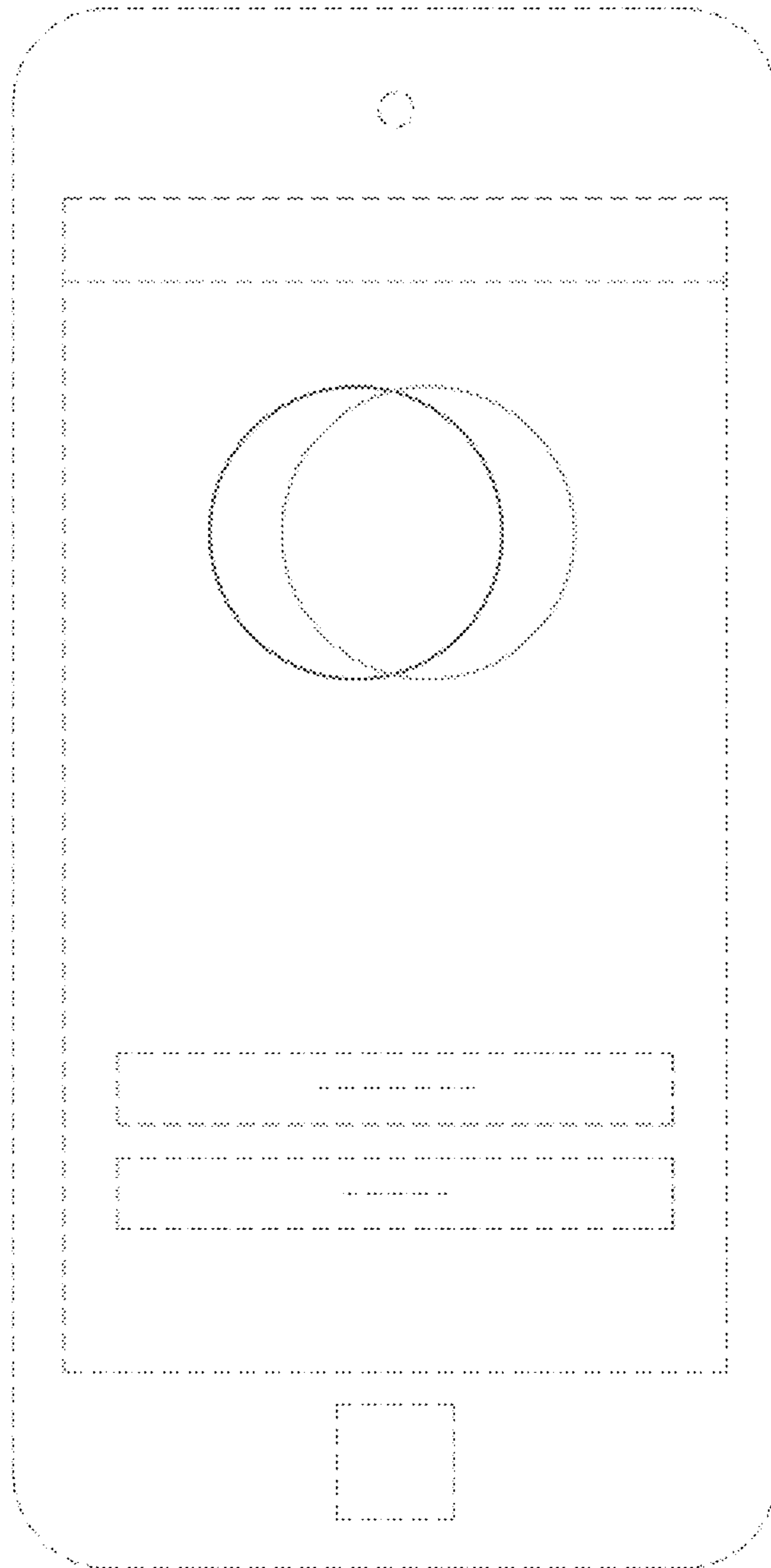


FIG. 13

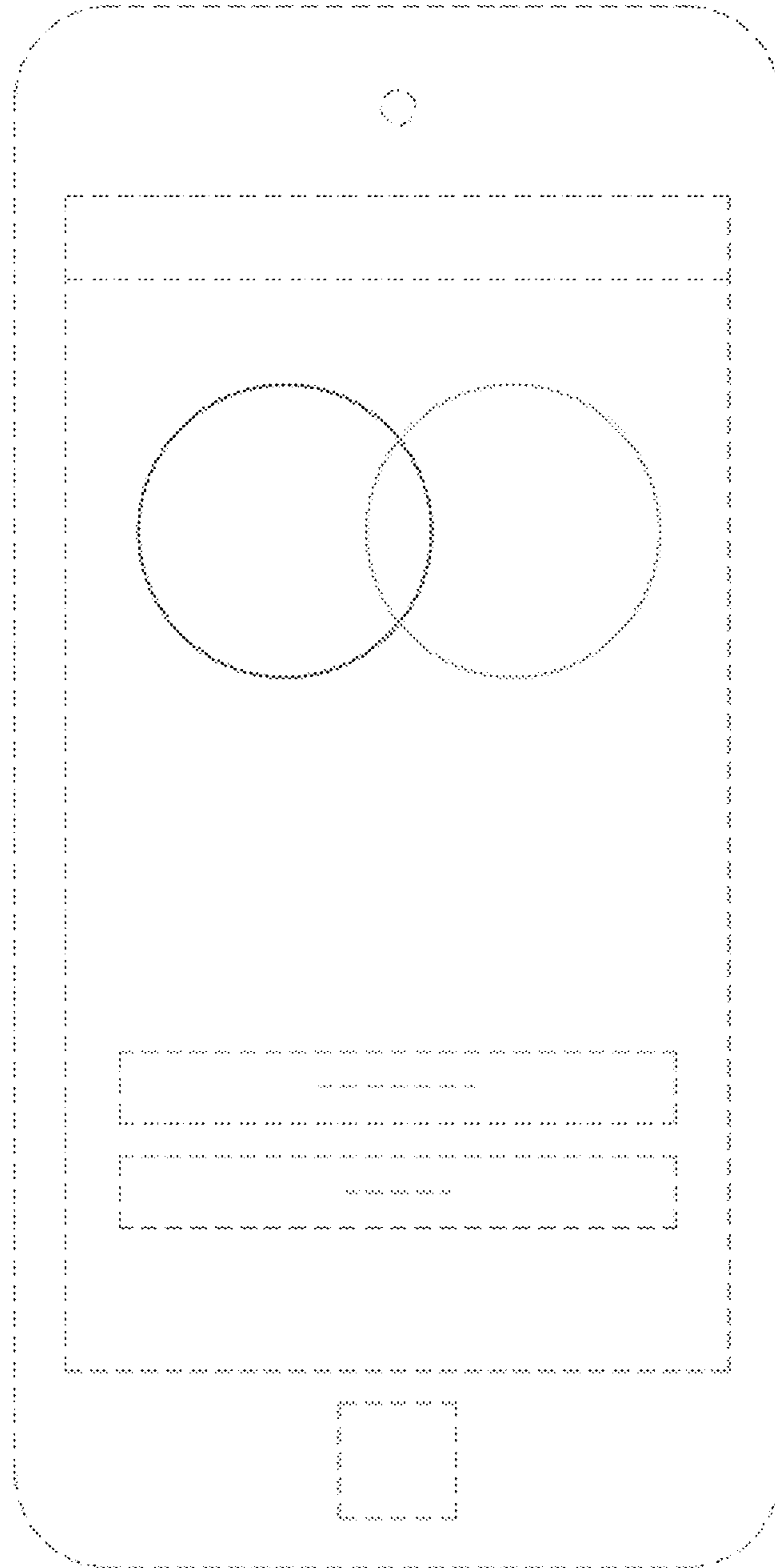


FIG. 14

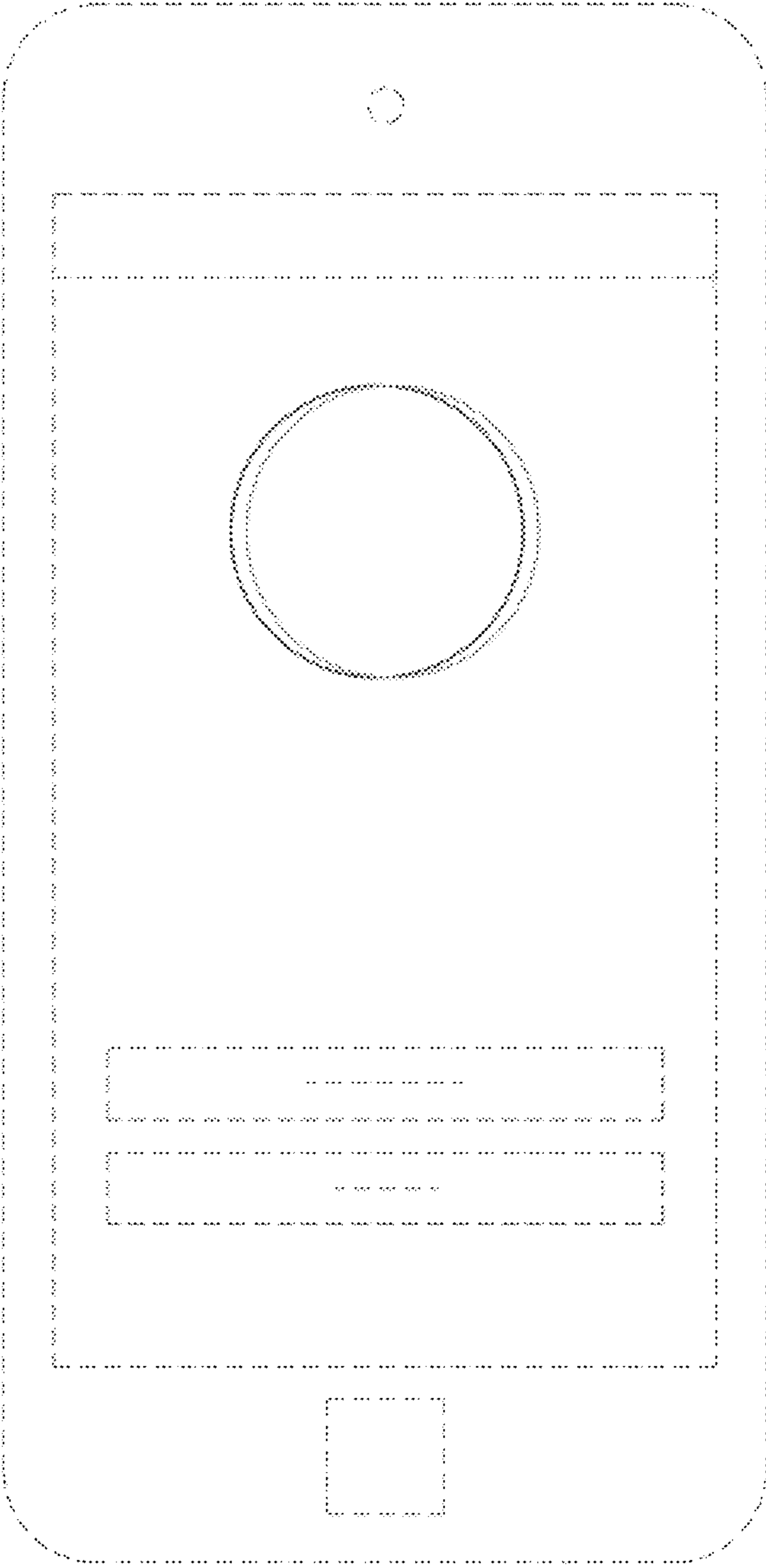


FIG. 15

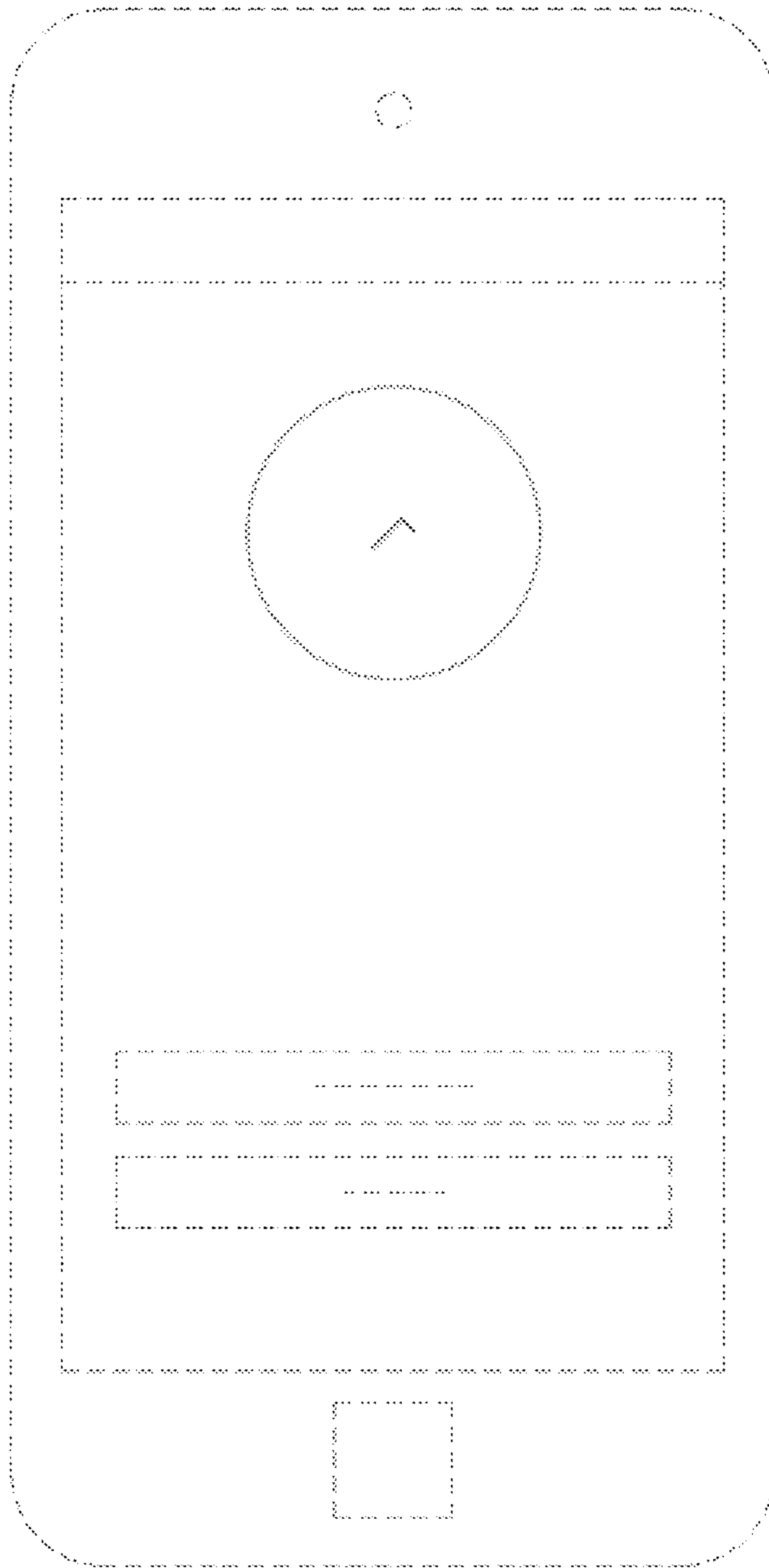


FIG. 16