



US00D810103S

(12) **United States Design Patent** (10) **Patent No.:** **US D810,103 S**
Kato et al. (45) **Date of Patent:** **** Feb. 13, 2018**

(54) **DISPLAY SCREEN WITH GRAPHICAL USER INTERFACE**

(71) Applicant: **TOYOTA JIDOSHA KABUSHIKI KAISHA**, Toyota-shi, Aichi-ken (JP)

(72) Inventors: **Yasutomo Kato**, Okazaki (JP); **Kei Yamamoto**, Toyota (JP); **Kenichiro Maeda**, Toyota (JP); **Norihisa Hotta**, Nagoya (JP); **Yuji Kawahara**, Nagoya (JP); **Chihiro Miyai**, Chiryu (JP); **Hiroshi Takahashi**, Tokyo (JP)

(73) Assignee: **TOYOTA JIDOSHA KABUSHIKI KAISHA** (JP)

(**) Term: **15 Years**

(21) Appl. No.: **29/588,848**

(22) Filed: **Dec. 23, 2016**

(51) **LOC (11) Cl.** **14-04**

(52) **U.S. Cl.**
USPC **D14/485**

(58) **Field of Classification Search**
USPC D14/485–495
CPC G01C 21/36; B60K 37/00; G08G 1/0962; G08F 1/123
See application file for complete search history.

(56) **References Cited**

U.S. PATENT DOCUMENTS

| | | | | |
|--------------|--------|------------------|-------|---------|
| D702,257 S * | 4/2014 | Wantland | | D14/489 |
| D709,083 S * | 7/2014 | Meegan | | D14/486 |
| D709,519 S * | 7/2014 | Meegan | | D14/486 |
| D710,373 S * | 8/2014 | Meegan | | D14/486 |
| D710,374 S * | 8/2014 | Meegan | | D14/486 |
| D712,926 S * | 9/2014 | Meegan | | D14/489 |
| D735,214 S * | 7/2015 | Mariet | | D14/485 |
| D747,730 S * | 1/2016 | Yamasaki | | D14/485 |
| D753,179 S | 4/2016 | Robertson et al. | | |

| | | | | |
|--------------|--------|--------|-------|---------|
| D753,696 S * | 4/2016 | Dye | | D14/486 |
| D753,717 S * | 4/2016 | Mariet | | D14/491 |
| D753,718 S * | 4/2016 | Mariet | | D14/492 |
| D753,719 S * | 4/2016 | Mariet | | D14/491 |
| D753,720 S * | 4/2016 | Mariet | | D14/491 |
| D753,721 S * | 4/2016 | Mariet | | D14/491 |
| D753,722 S * | 4/2016 | Mariet | | D14/491 |
| D754,189 S * | 4/2016 | Mariet | | D14/489 |
| D754,190 S * | 4/2016 | Mariet | | D14/489 |
| D754,203 S * | 4/2016 | Mariet | | D14/491 |
| D754,204 S * | 4/2016 | Mariet | | D14/491 |
| D757,752 S * | 5/2016 | Yuk | | D14/485 |
| D765,713 S * | 9/2016 | Mariet | | D14/486 |
| D766,302 S * | 9/2016 | Phelan | | D14/486 |
| D766,304 S * | 9/2016 | Mariet | | D14/486 |

(Continued)

FOREIGN PATENT DOCUMENTS

| | | |
|----|----------------|--------|
| EM | 002304428-0001 | 9/2013 |
| EM | 002304428-0002 | 9/2013 |

(Continued)

Primary Examiner — Darlington Ly

Assistant Examiner — Daniel J Domino

(74) *Attorney, Agent, or Firm* — Saidman DesignLaw Group, LLC

(57) **CLAIM**

The ornamental design for a display screen with graphical user interface, as shown and described.

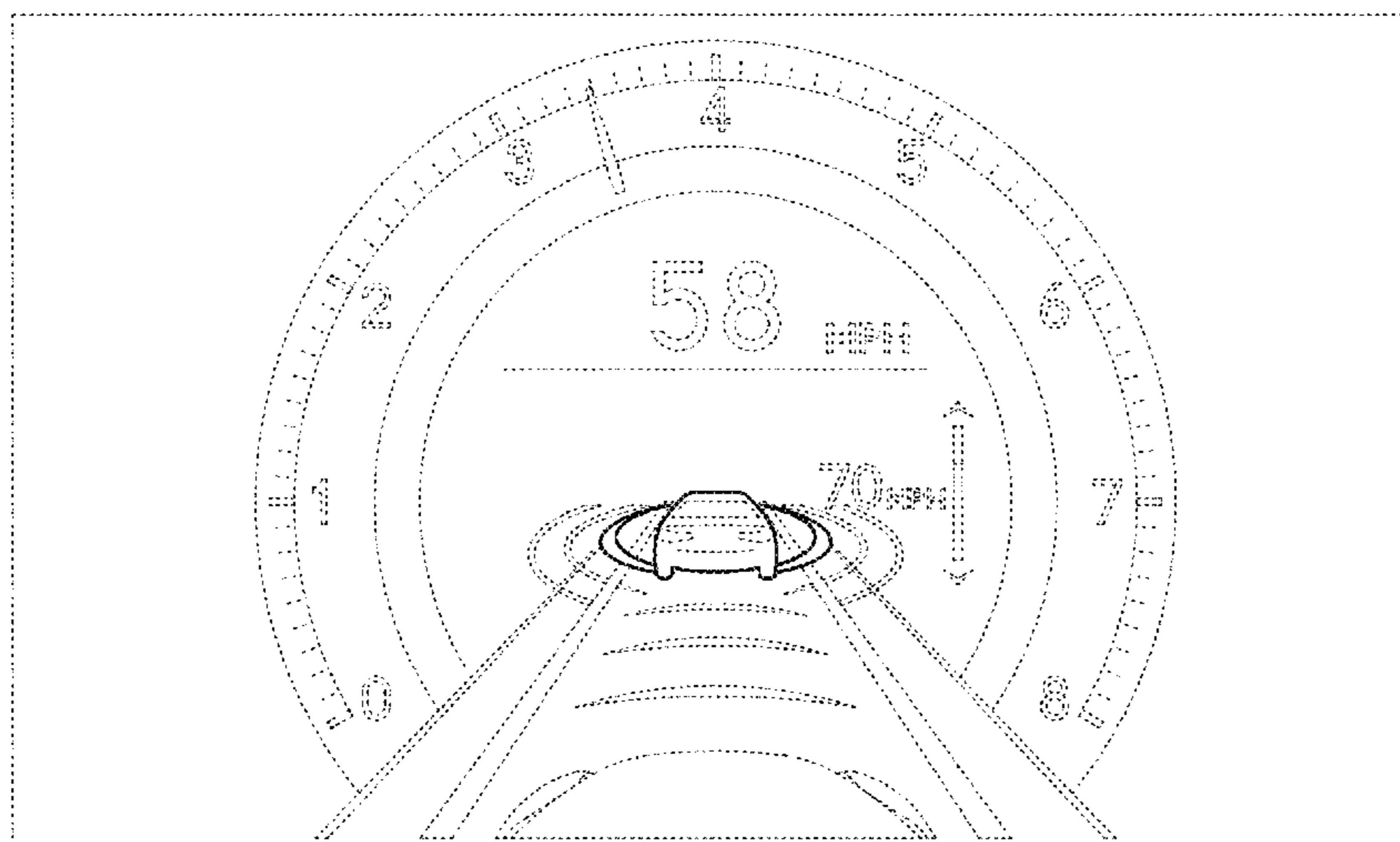
DESCRIPTION

The sole FIGURE is a front view of a display screen with graphical user interface showing our new design.

The peripheral dashed broken lines represent a display screen or portion thereof and form no part of the claimed design.

The dashed broken lines within the peripheral dashed broken lines represent portions of the graphical user interface which form no part of the claimed design.

1 Claim, 1 Drawing Sheet



(56)

References Cited

U.S. PATENT DOCUMENTS

| | | | | | | |
|----------|---|---|---------|-----------|-------|---------|
| D768,184 | S | * | 10/2016 | Mariet | | D14/486 |
| D771,681 | S | * | 11/2016 | Mariet | | D14/486 |
| D771,682 | S | * | 11/2016 | Mariet | | D14/486 |
| D772,274 | S | * | 11/2016 | Mariet | | D14/486 |
| D773,517 | S | * | 12/2016 | Mariet | | D14/486 |
| D775,195 | S | * | 12/2016 | Caldwell | | D14/486 |
| D778,292 | S | * | 2/2017 | Mochizuki | | D14/485 |
| D786,913 | S | * | 5/2017 | Dye | | D14/486 |
| D786,915 | S | * | 5/2017 | Kim | | D14/487 |
| D788,141 | S | * | 5/2017 | Kim | | D14/486 |
| D788,154 | S | * | 5/2017 | Kim | | D14/487 |
| D792,424 | S | * | 7/2017 | Meegan | | D14/485 |
| D793,407 | S | * | 8/2017 | Tsukahara | | D14/485 |
| D794,676 | S | * | 8/2017 | Daniel | | D14/491 |

FOREIGN PATENT DOCUMENTS

| | | |
|----|----------------|--------|
| EM | 002304428-0003 | 9/2013 |
| EM | 002304428-0004 | 9/2013 |

* cited by examiner

