



US00D810093S

(12) **United States Design Patent**
Roberts

(10) **Patent No.:** **US D810,093 S**

(45) **Date of Patent:** **** *Feb. 13, 2018**

(54) **USB MEMORY DEVICE**

(71) Applicant: **James Roberts**, St Martin (JE)

(72) Inventor: **James Roberts**, St Martin (JE)

(73) Assignee: **Flashbay Electronics Hong Kong Limited**, Hong Kong (HK)

(*) Notice: This patent is subject to a terminal disclaimer.

(**) Term: **15 Years**

(21) Appl. No.: **29/594,352**

(22) Filed: **Feb. 17, 2017**

(51) **LOC (11) Cl.** **14-03**

(52) **U.S. Cl.**
USPC **D14/480.1**

(58) **Field of Classification Search**
USPC D14/435.1, 480.1–480.7
CPC H05K 5/0278; G06K 19/07732
See application file for complete search history.

(56) **References Cited**

U.S. PATENT DOCUMENTS

D647,096 S * 10/2011 Tung D14/436
D656,139 S * 3/2012 Schlossstein D14/480.1

D656,141 S * 3/2012 Schlossstein D14/480.1
D656,143 S * 3/2012 Schlossstein D14/480.1
D656,144 S * 3/2012 Schlossstein D14/480.1
D658,665 S * 5/2012 Akana D14/480.1
D679,717 S * 4/2013 Benois D14/436
D687,041 S * 7/2013 Benois D14/480.5
D724,599 S * 3/2015 Lin D14/480.1
D758,371 S * 6/2016 Daniel D14/435.1
D768,140 S * 10/2016 Daniel D14/480.1
2015/0017819 A1 * 1/2015 Bolotin H01R 43/18
439/31

* cited by examiner

Primary Examiner — Angela J Lee

(57) **CLAIM**

The ornamental design for a USB memory device, as shown and described.

DESCRIPTION

FIG. 1 is a top view of the USB memory device.
FIG. 2 is a right side view of the USB memory device, the left being a mirror image thereof.
FIG. 3 is a rear view of the USB memory device.
FIG. 4 is a bottom view of the USB memory device.
FIG. 5 is a front right perspective of the USB memory device; and,
FIG. 6 is a rear bottom left perspective of the USB memory device.

1 Claim, 1 Drawing Sheet

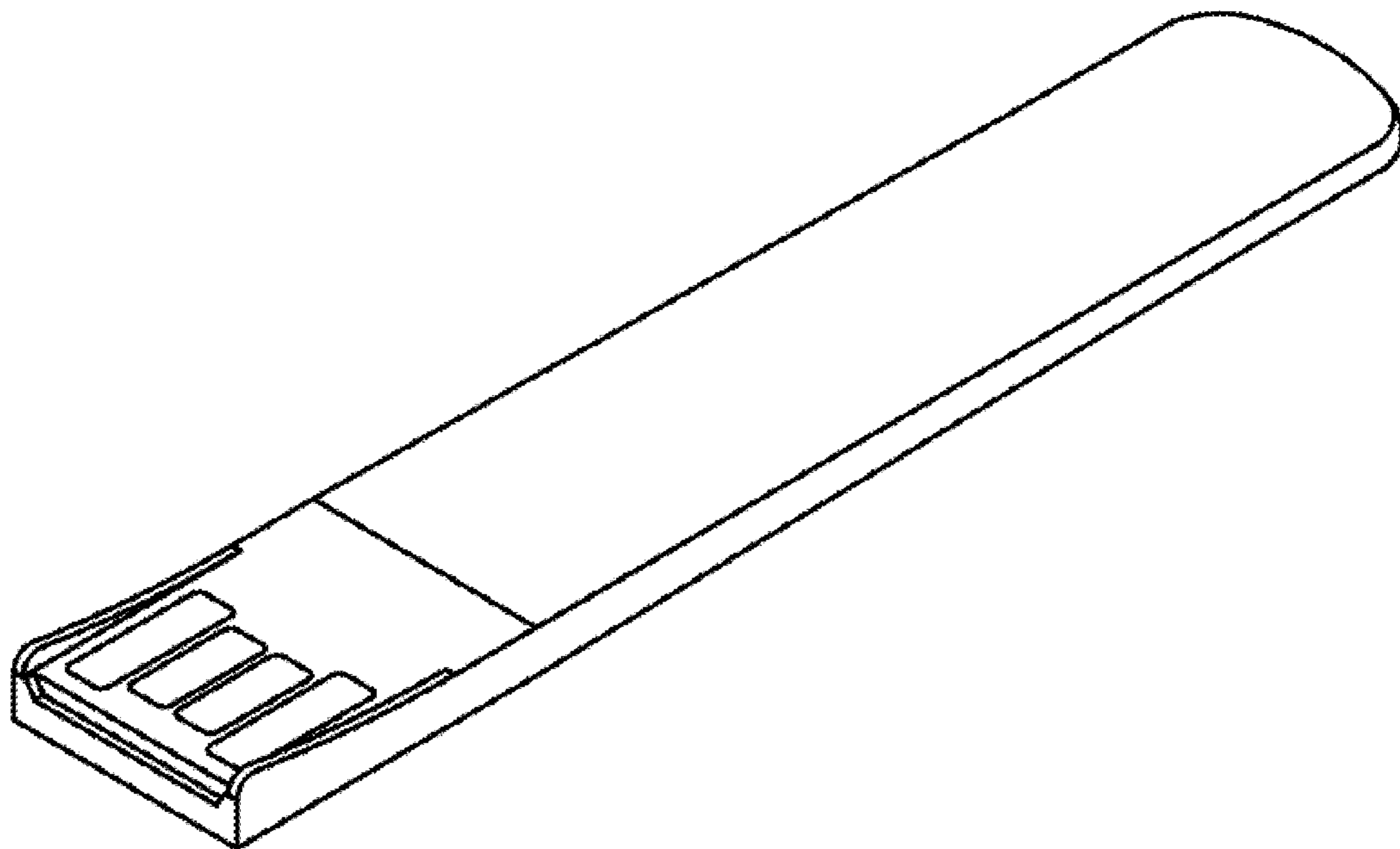


FIG.1



FIG.2

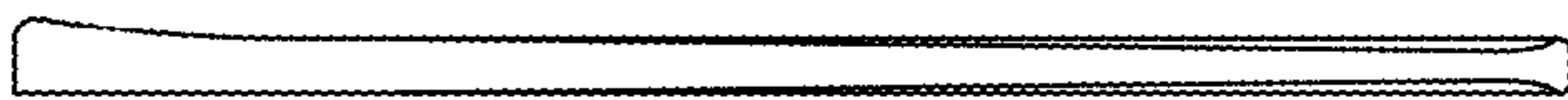


FIG.3

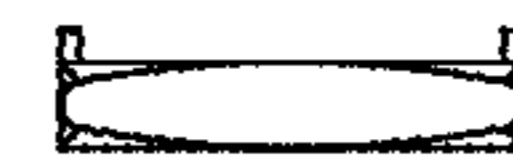


FIG.4

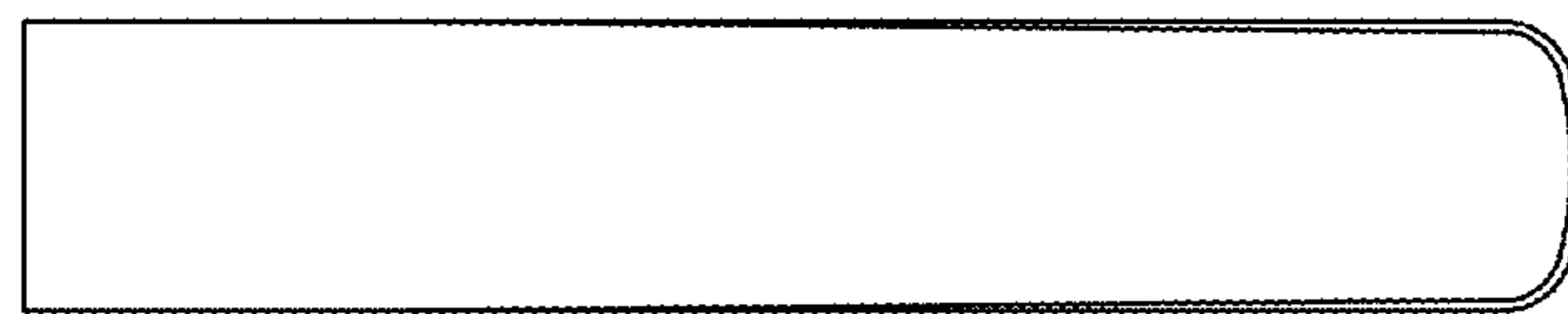


FIG.5

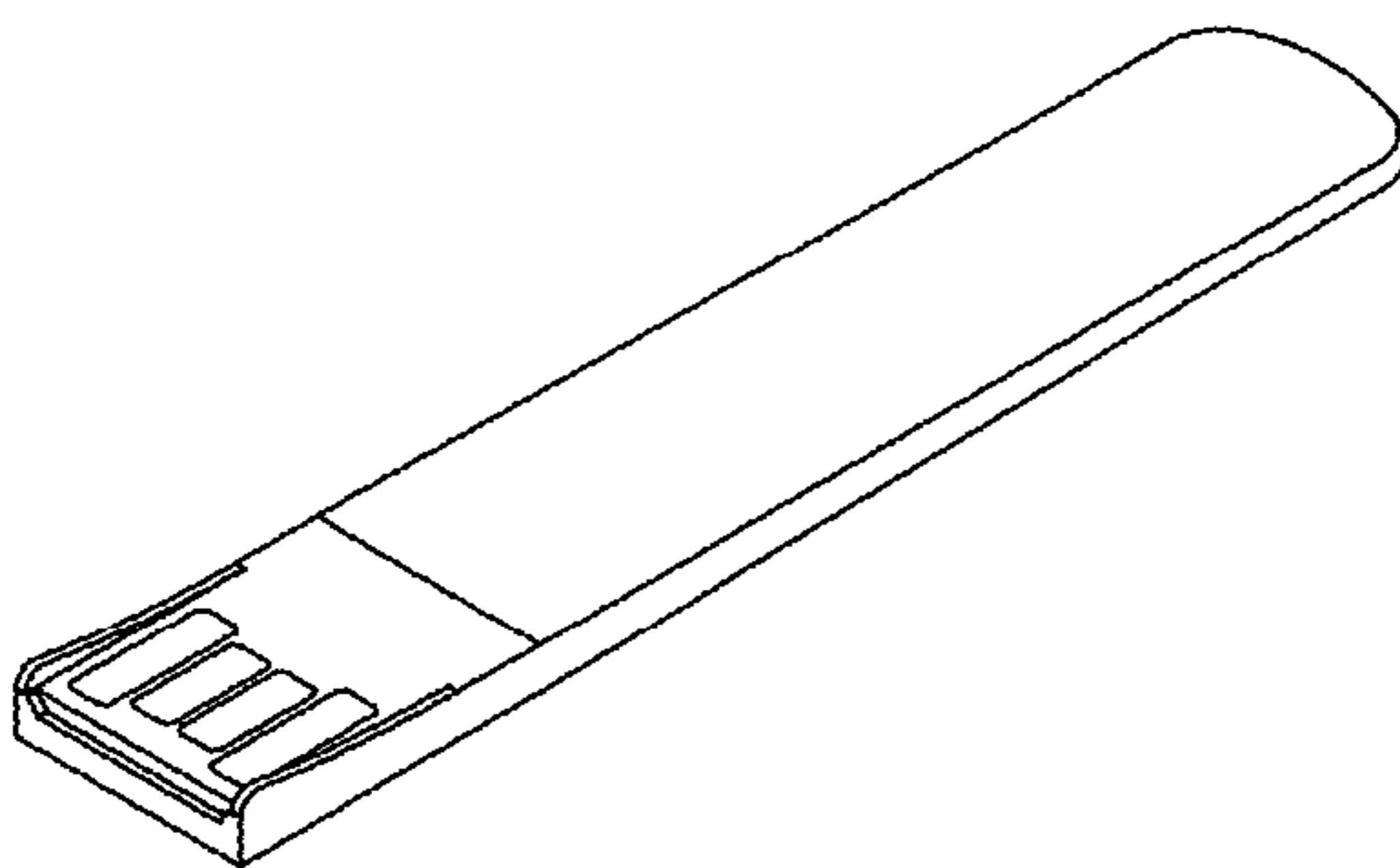


FIG.6

