



US00D810092S

(12) **United States Design Patent** (10) **Patent No.:** **US D810,092 S**
Bowman et al. (45) **Date of Patent:** **** Feb. 13, 2018**

(54) **DEVICE TILTER**

D693,352 S * 11/2013 Gelsomini D14/447
D712,907 S 9/2014 Derry et al.
D729,814 S * 5/2015 Anderson D14/452
(Continued)

(71) Applicant: **Innovative Office Products, LLC**,
Easton, PA (US)

(72) Inventors: **Stephen J. Bowman**, Saylorsburg, PA
(US); **Peter J. Carrasquillo**, Columbia,
MO (US)

FOREIGN PATENT DOCUMENTS

EM 002582486-0001 * 12/2014

(73) Assignee: **Innovative Office Products, LLC**,
Easton, PA (US)

OTHER PUBLICATIONS

Amazon. URL: https://www.amazon.com/uxcell-Chassis-Geared-Mounting-Bracket/dp/B017LB9TOI/ref=sr_1_7?s=industrial&ie=UTF8&qid=1511281341&sr=1-7&keywords=adjustable+mounting+Bracket.> Nov. 5, 2015.
Mounting Fixed Bracket.*

(**) Term: **15 Years**

Primary Examiner — Bridget L Eland
Assistant Examiner — Lauren McVey
(74) *Attorney, Agent, or Firm* — Design IP

(21) Appl. No.: **29/557,713**

(22) Filed: **Mar. 11, 2016**

(57) **CLAIM**

(51) **LOC (11) Cl.** **14-02**

The ornamental design for a device tilter, as shown and described.

(52) **U.S. Cl.**
USPC **D14/452**

(58) **Field of Classification Search**
USPC D14/447-452, 336, 341, 371, 373, 374,
D14/375, 376, 377, 126, 127, 128, 129;
D8/373
CPC F16M 11/105; F16M 11/10; F16M 11/048;
F16M 11/12; F16M 13/022
See application file for complete search history.

DESCRIPTION

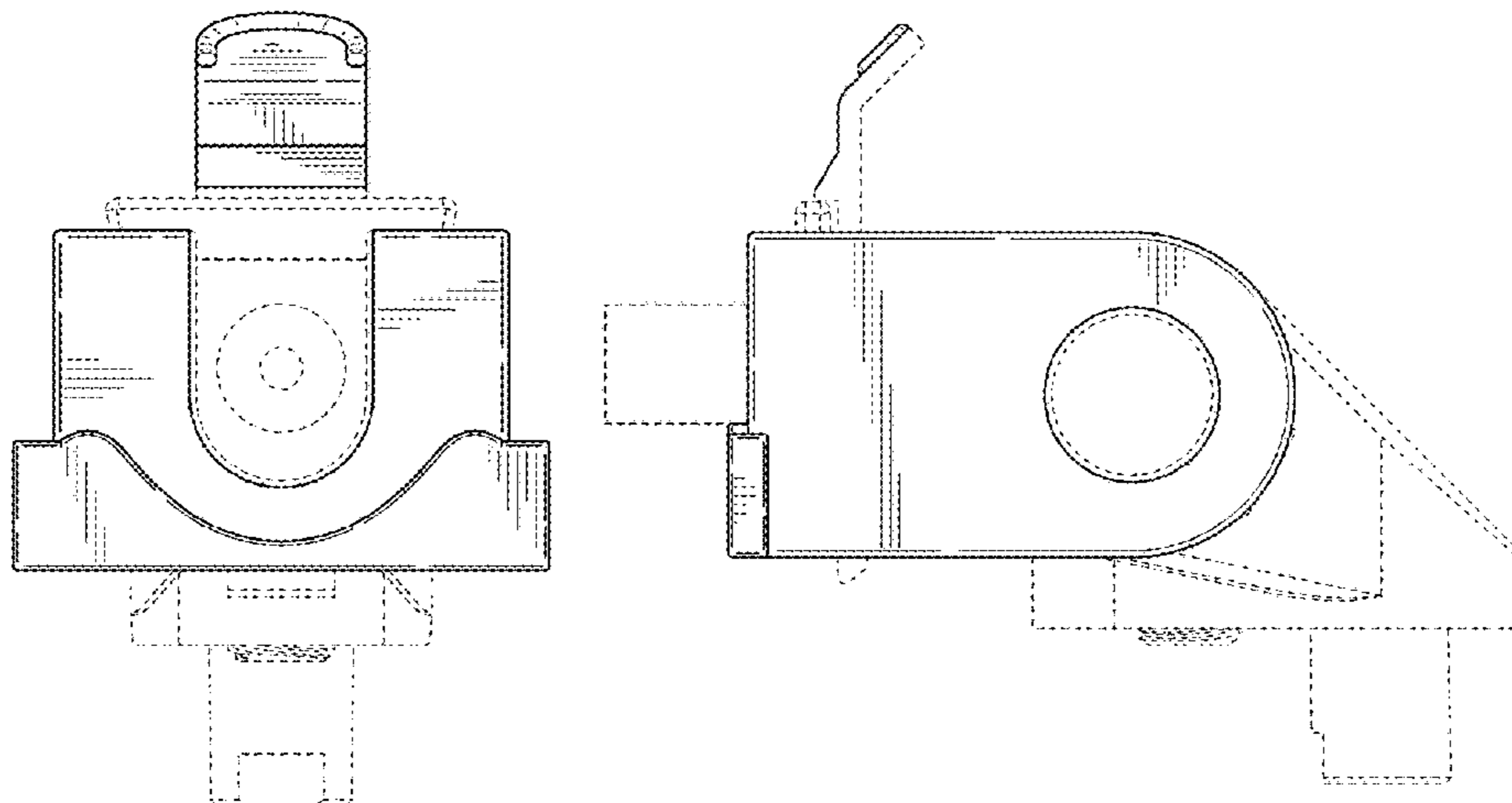
FIG. 1 is a perspective view of a device tilter showing our new design;
FIG. 2 is a front elevation view thereof;
FIG. 3 is a rear elevation view thereof;
FIG. 4 is a left side elevation view thereof;
FIG. 5 is a right side elevation view thereof;
FIG. 6 is a top plan view thereof; and,
FIG. 7 is a bottom plan view thereof.
The dash-dotted broken lines on the bottom surface in the FIG. 7 view represent the bounds of the claim and are not included in the claim, while all other evenly spaced broken lines are directed to environment and are for illustrative purposes only; the broken lines form no part of the claimed design. In addition, the unshaded surfaces throughout the views that directly adjoin the claimed solid line edges shown in the views form no part of the claimed design.

(56) **References Cited**

U.S. PATENT DOCUMENTS

D317,250 S * 6/1991 Shook D8/380
D460,078 S * 7/2002 Li D14/452
D491,574 S * 6/2004 Hung D14/452
D563,774 S * 3/2008 Wohlford D14/452
D566,531 S * 4/2008 Massoumi D14/452
D590,834 S * 4/2009 Richter D14/253
D599,355 S * 9/2009 Richter D14/253
D602,024 S * 10/2009 Richter D14/253
D602,342 S * 10/2009 Brassard D14/452
7,673,838 B2 3/2010 Oddsen, Jr. et al.
D619,587 S * 7/2010 Richter D14/253
D674,807 S 1/2013 Derry et al.
8,523,131 B2 9/2013 Derry et al.

1 Claim, 4 Drawing Sheets



(56)

References Cited

U.S. PATENT DOCUMENTS

D750,515 S * 3/2016 Ditges D10/74
D753,987 S * 4/2016 Bernstein D8/367
D755,797 S * 5/2016 Liu D14/452
D772,739 S * 11/2016 Browning D10/74
D773,325 S * 12/2016 Browning D10/74
D796,519 S * 9/2017 Hung D14/452
2006/0060735 A1 * 3/2006 Oddsen, Jr. F16M 11/105
248/278.1
2013/0294018 A1 * 11/2013 Mochizuki F16M 11/10
361/679.01
2014/0321843 A1 * 10/2014 Hulse G03B 17/561
396/420
2015/0076297 A1 * 3/2015 Parrill F16M 11/041
248/176.3

* cited by examiner

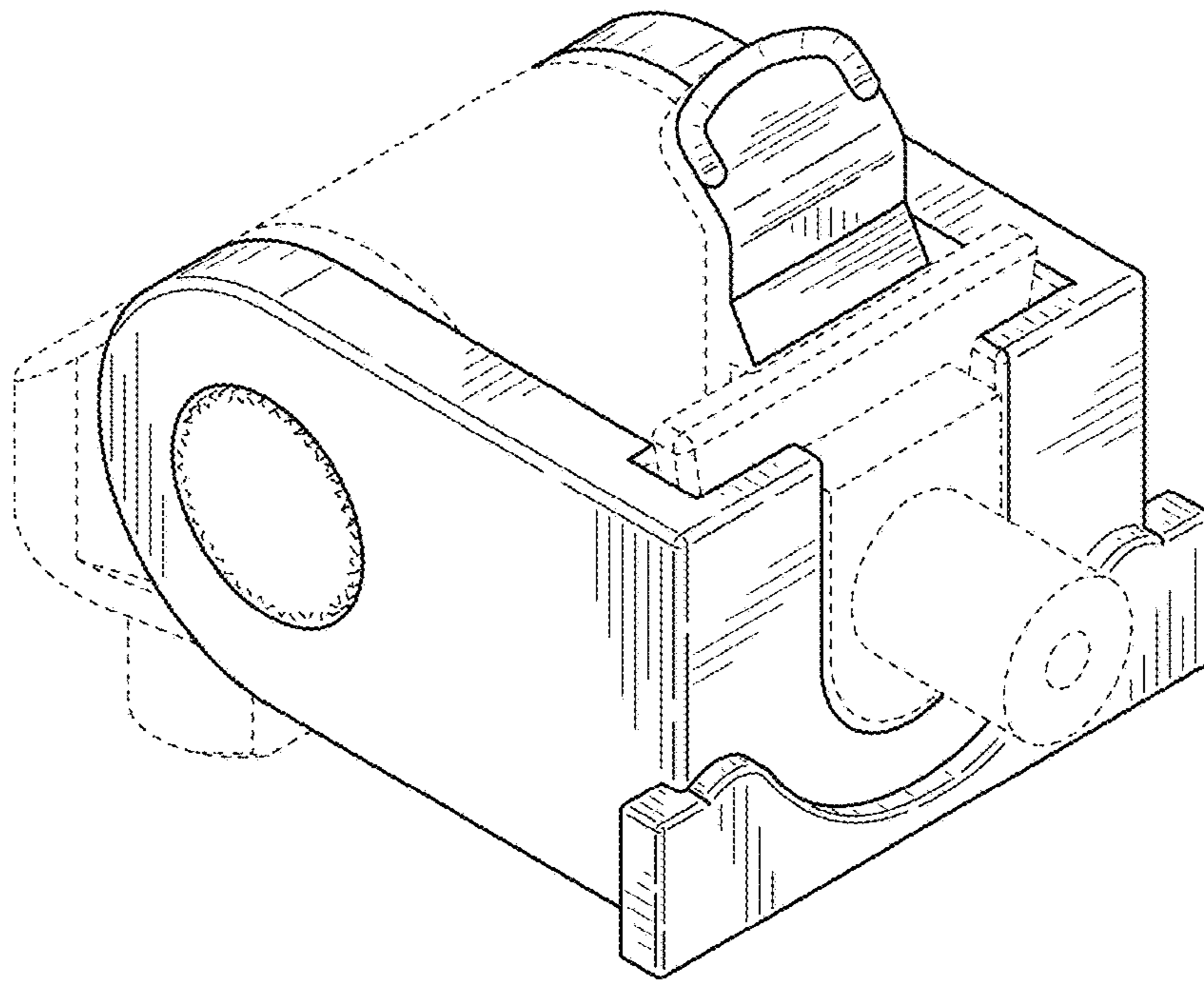


FIG. 1

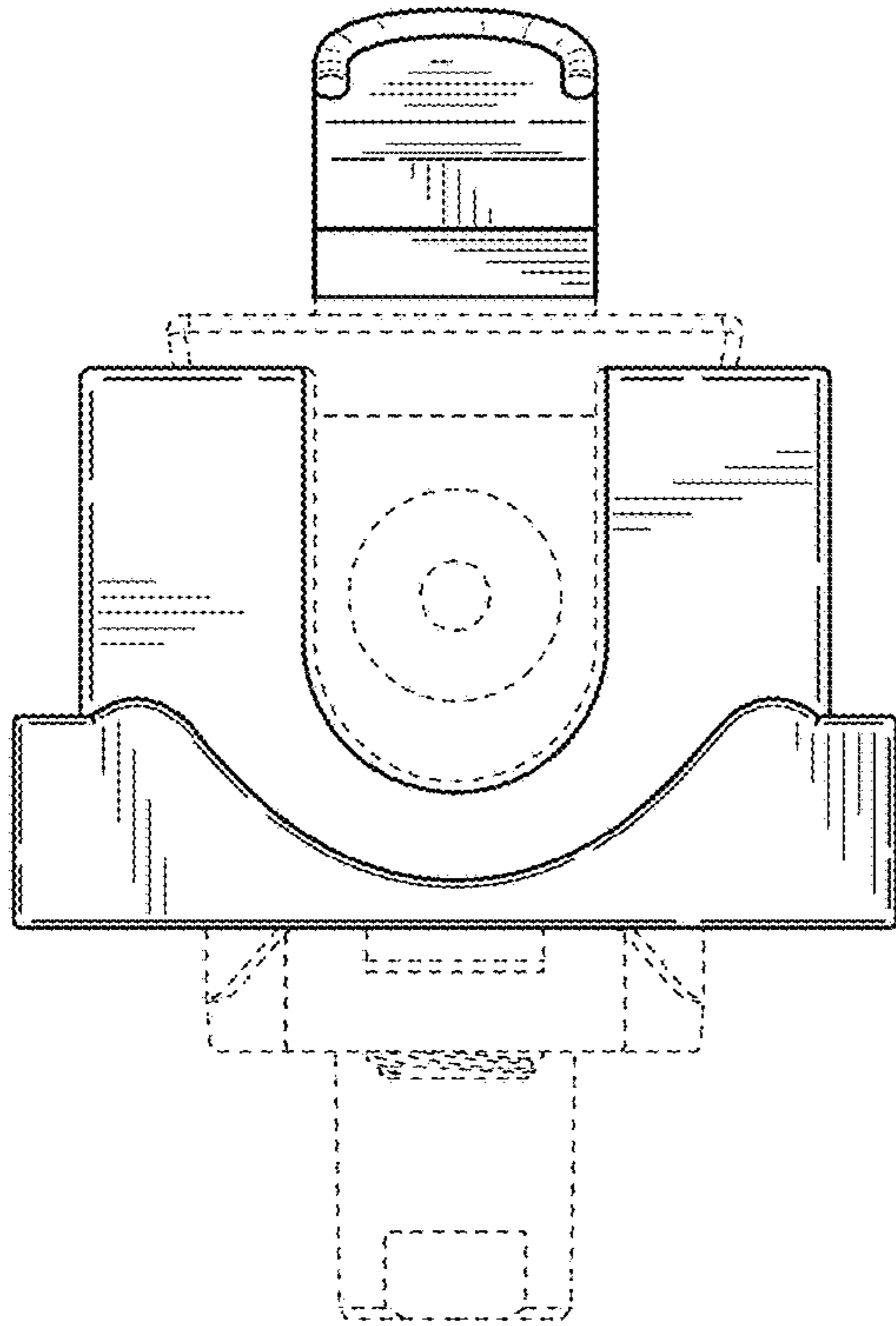


FIG. 2

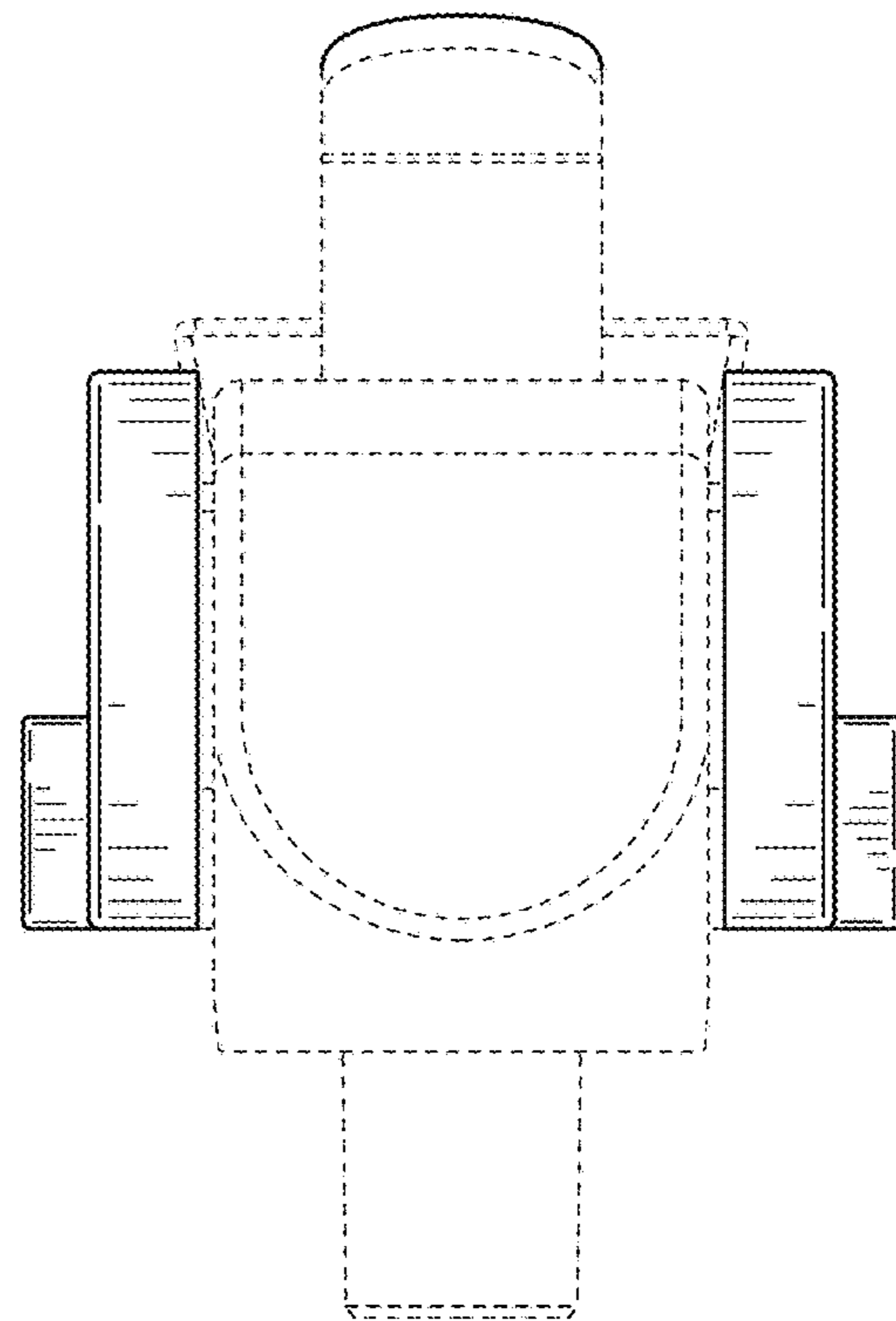


FIG. 3

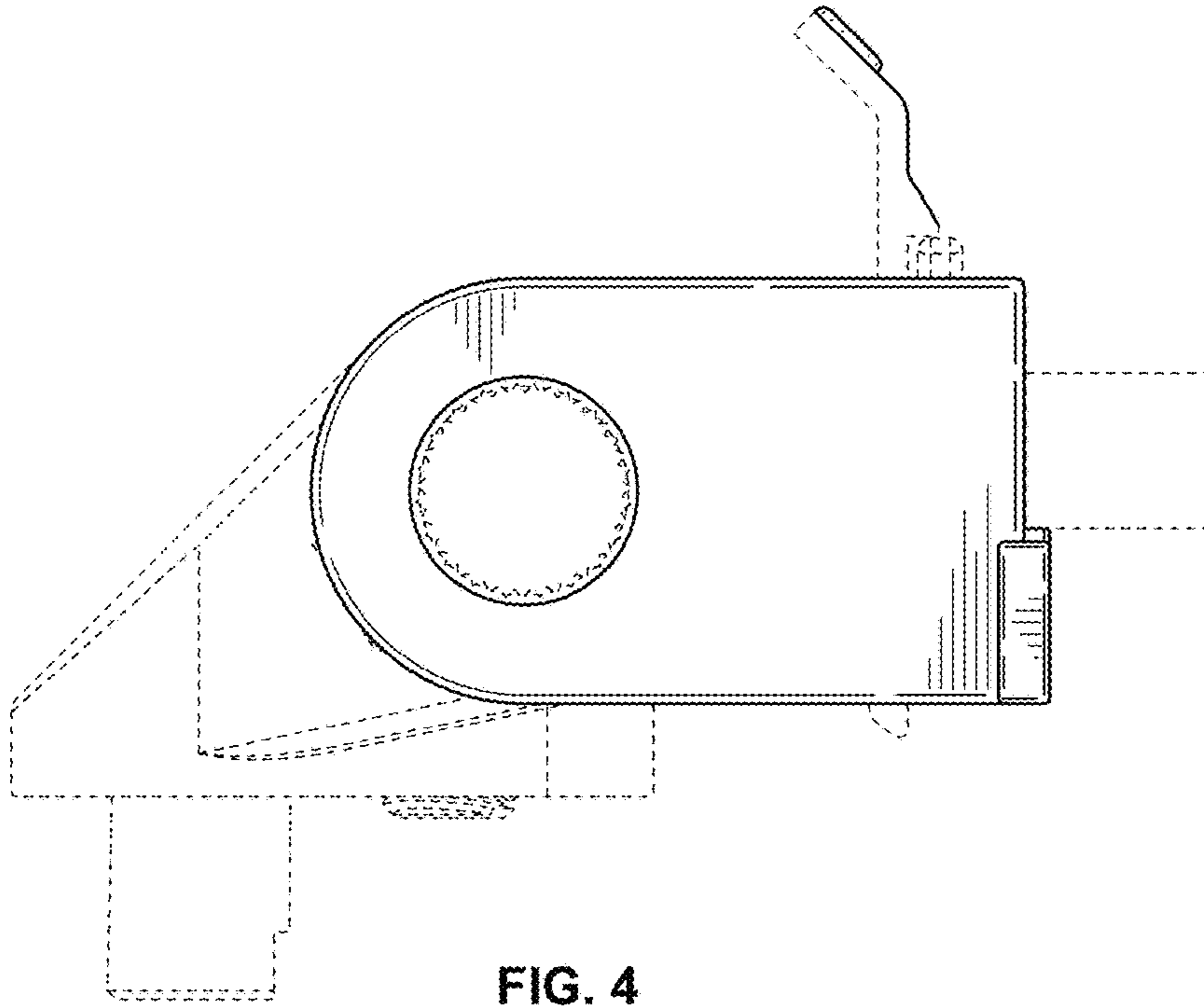


FIG. 4

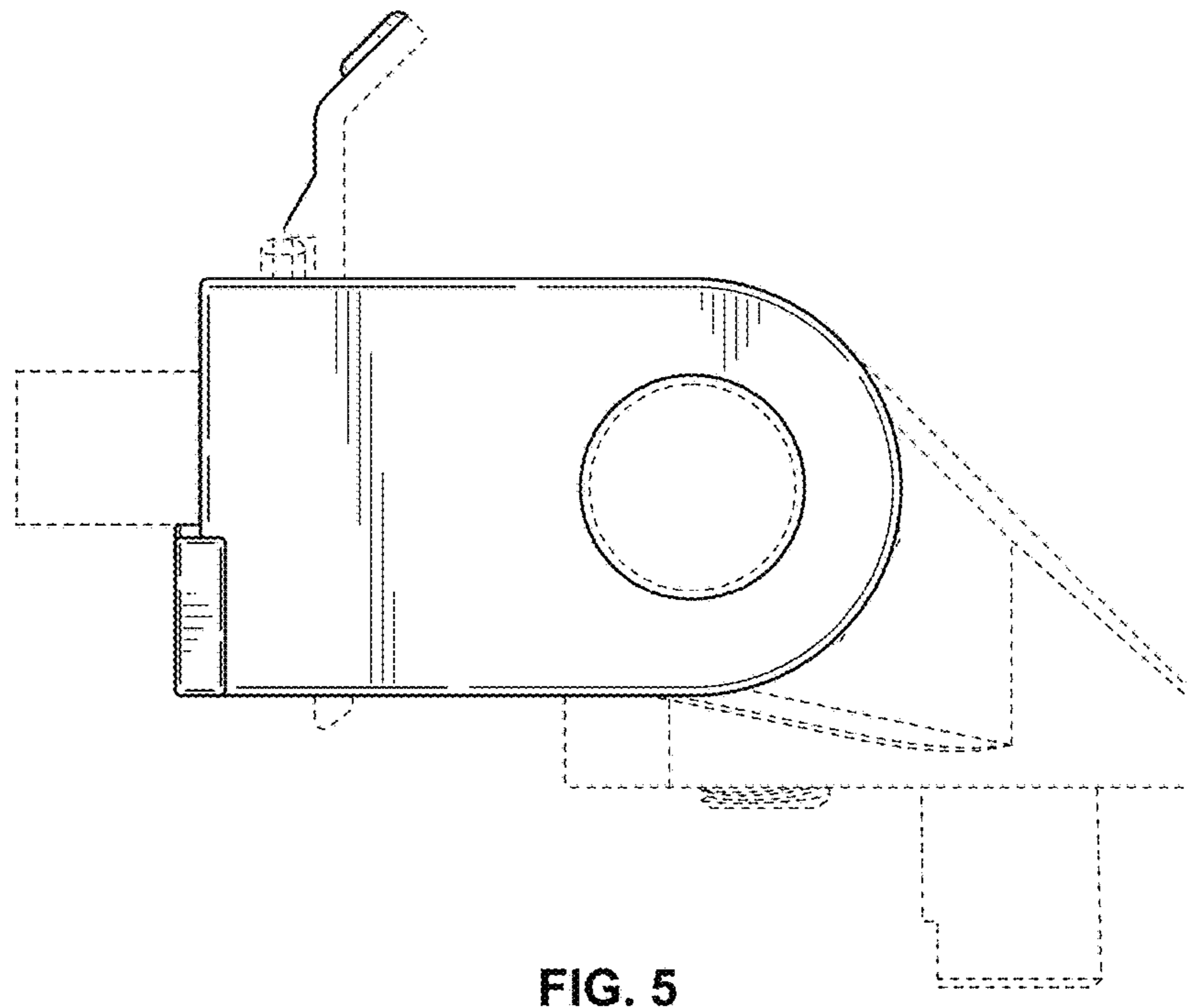


FIG. 5

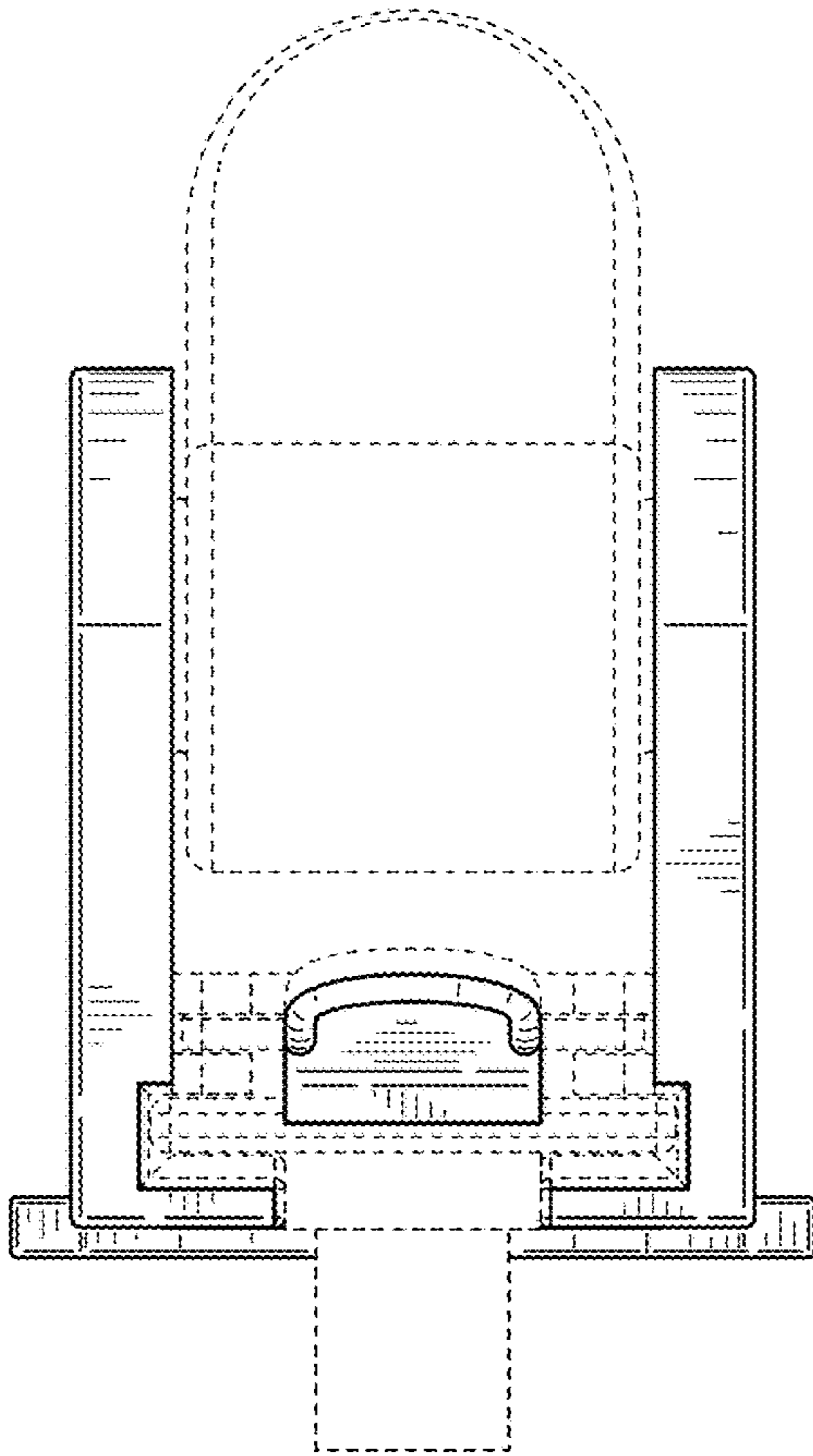


FIG. 6

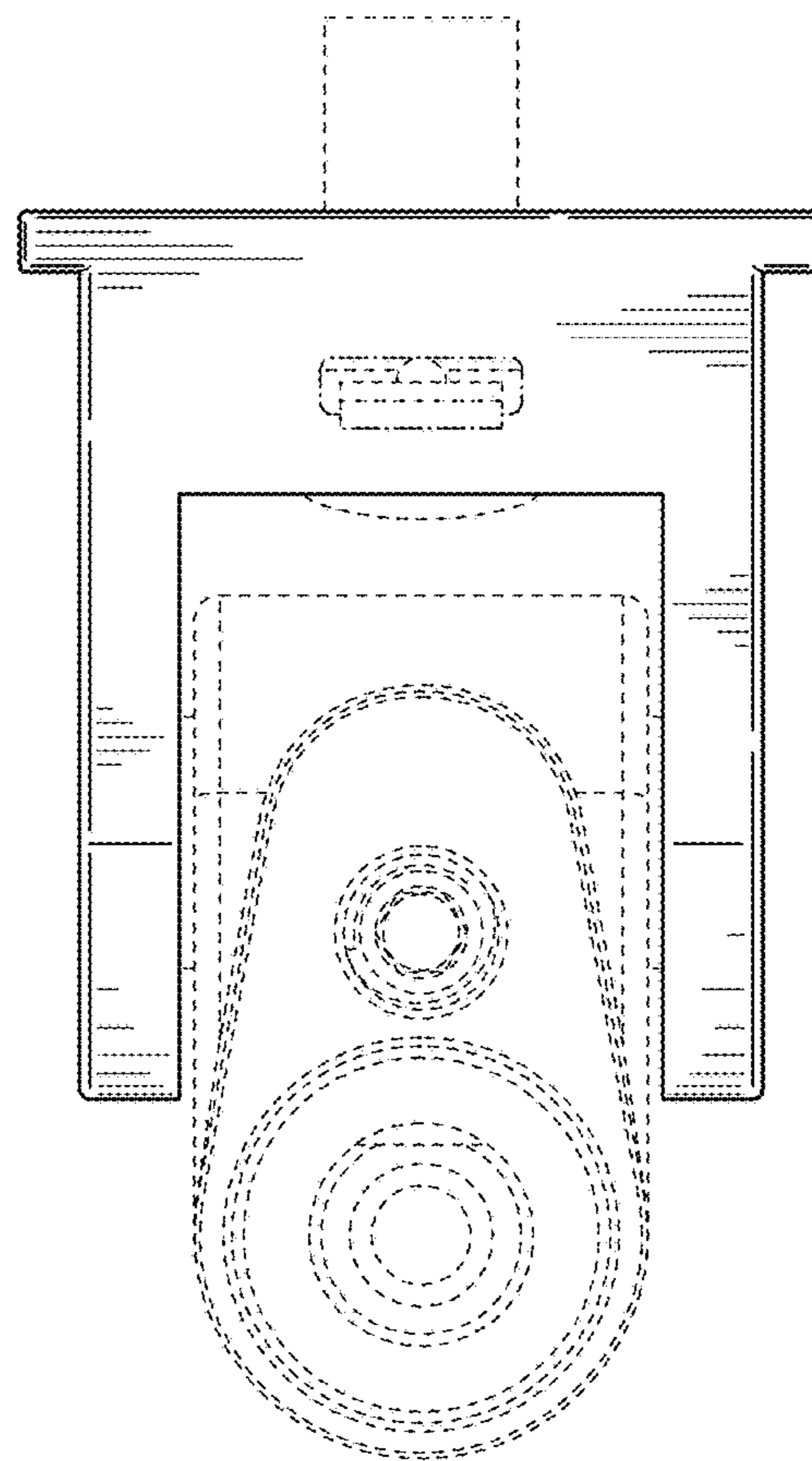


FIG. 7