



US00D810088S

(12) **United States Design Patent** (10) **Patent No.:** **US D810,088 S**
Moore et al. (45) **Date of Patent:** **** Feb. 13, 2018**

- (54) **DEVICE COVER**
- (71) Applicant: **Amazon Technologies, Inc.**, Seattle, WA (US)
- (72) Inventors: **Jesse Wheeler Moore**, Oakland, CA (US); **Monica Liane Mecchella**, San Francisco, CA (US)
- (73) Assignee: **Amazon Technologies, Inc.**, Seattle, WA (US)
- (**) Term: **15 Years**
- (21) Appl. No.: **29/567,146**
- (22) Filed: **Jun. 6, 2016**
- (51) **LOC (11) Cl.** **14-02**
- (52) **U.S. Cl.**
USPC **D14/440**
- (58) **Field of Classification Search**
USPC D14/440, 250, 447; 206/45.23, 320, 206/45.2; 361/679.55; 294/25; 224/218
CPC ... G06F 1/1628; G06F 1/1626; A47B 23/044; H04B 1/3888
See application file for complete search history.

- (56) **References Cited**
U.S. PATENT DOCUMENTS
D467,429 S * 12/2002 Bone D3/294
D657,354 S * 4/2012 Kim D14/250
D676,448 S * 2/2013 Gorman D14/440
D676,449 S * 2/2013 Probst D14/440
8,542,495 B1 * 9/2013 Gorman G06F 1/1626
361/679.02
D707,229 S * 6/2014 Almodova D14/440
D736,777 S * 8/2015 Rayner D14/440
D742,889 S * 11/2015 Mecchella D14/440
D742,890 S * 11/2015 Mecchella D14/440
D748,097 S * 1/2016 Feng D14/440
D748,636 S * 2/2016 Zadvinskis D14/440
D753,123 S * 4/2016 Probst D14/440

- 9,307,131 B1 * 4/2016 Breen H04N 5/2257
- D761,798 S * 7/2016 Lee D14/440
- D765,086 S * 8/2016 Lee D14/440
- D765,663 S * 9/2016 Shih D14/440
- D768,638 S * 10/2016 Lee D14/440
- D774,036 S * 12/2016 Kuntz D14/440
- D781,278 S * 3/2017 Kim D14/250

(Continued)

OTHER PUBLICATIONS

The Canadian Office Action dated Feb. 8, 2017 for Canadian Design Application No. 171479, a counterpart foreign application of Design U.S. Appl. No. 29/567,146, 1 page.

(Continued)

Primary Examiner — Cynthia Underwood
(74) *Attorney, Agent, or Firm* — Lee & Hayes, PLLC

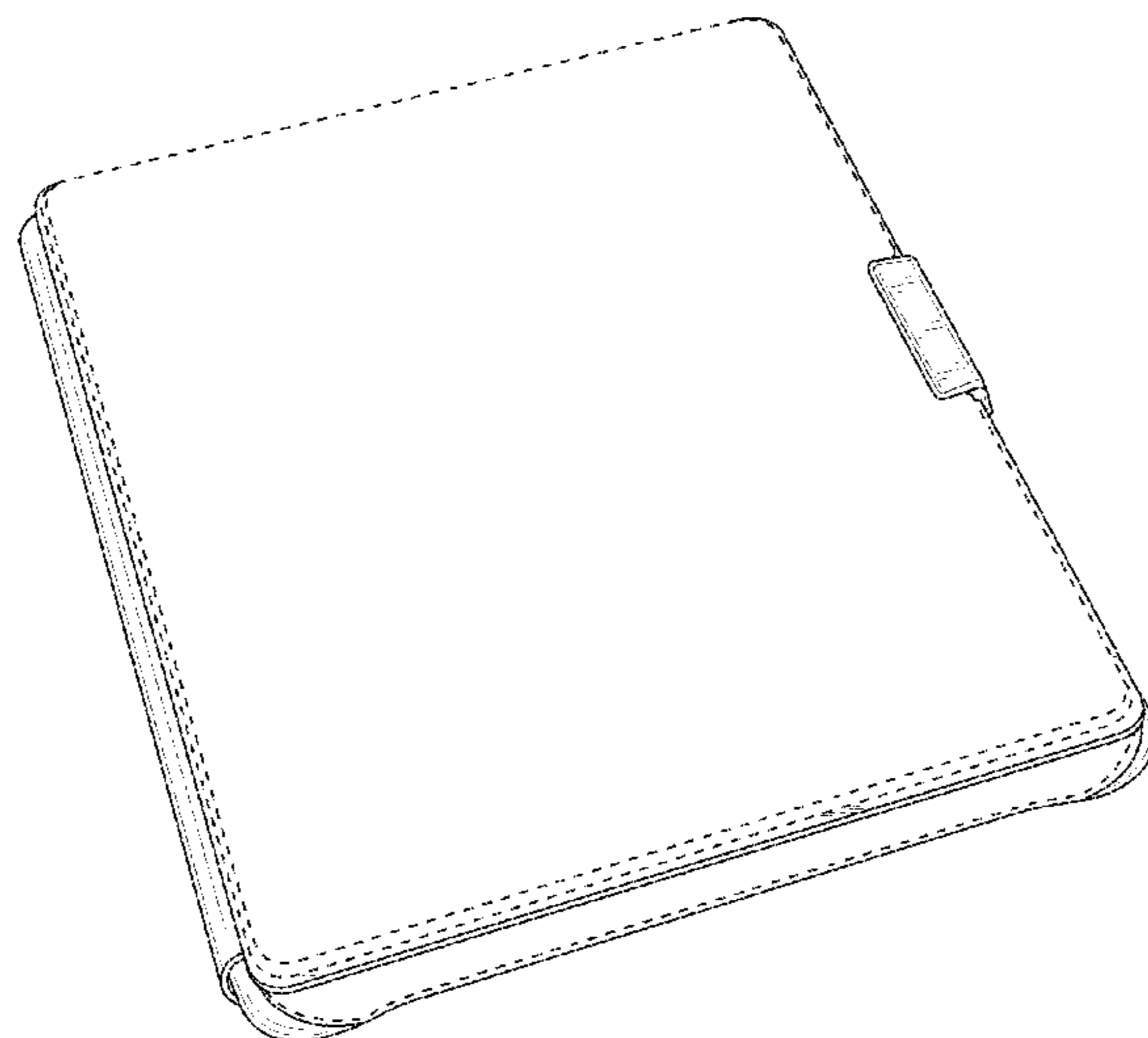
(57) **CLAIM**

The ornamental design for a device cover, as shown and described.

DESCRIPTION

FIG. 1 is a perspective view of a device cover, taken from above;
FIG. 2 is a front view of the device cover as shown in FIG. 1;
FIG. 3 is a back view of the device cover as shown in FIG. 1;
FIG. 4 is a left-side view of the device cover as shown in FIG. 1;
FIG. 5 is a right-side view of the device cover as shown in FIG. 1;
FIG. 6 is a top view of the device cover as shown in FIG. 1; and,
FIG. 7 is a bottom view of the device cover as shown in FIG. 1.
The broken lines represent features of the device cover which form no part of the claimed design.

1 Claim, 5 Drawing Sheets



(56)

References Cited

U.S. PATENT DOCUMENTS

D787,520	S *	5/2017	Wall	D14/440
D792,412	S *	7/2017	Zhang	D14/440
D792,887	S *	7/2017	Zhang	D14/440
2007/0097087	A1 *	5/2007	Homer	G06F 1/1626 345/173
2008/0194139	A1 *	8/2008	Chan	G06F 1/1613 439/521
2012/0043235	A1 *	2/2012	Klement	A45C 11/00 206/320
2013/0264459	A1 *	10/2013	McCosh	G06F 1/1626 248/688
2016/0011628	A1 *	1/2016	Sato	G06F 1/1656 361/679.3

OTHER PUBLICATIONS

The Canadian Office Action dated Feb. 8, 2017 for Canadian Design Application No. 171477, a counterpart foreign application of Design U.S. Appl. No. 29/567,146, 1 page.

The Canadian Office Action dated Feb. 8, 2017 for Canadian Design Application No. 171478, a counterpart foreign application of Design U.S. Appl. No. 29/567,146, 1 page.

The Korean Office Action dated May 24, 2017 for Korean Design Application No. 30-2016-54584 M001, a counterpart foreign application of Design U.S. Appl. No. 29/567,146, 2 pages.

The Korean Office Action dated May 24, 2017 for Korean Design Application No. 30-2016-54584 M002, a counterpart foreign application of Design U.S. Appl. No. 29/567,146, 2 pages.

The Korean Office Action dated May 24, 2017 for Korean Design Application No. 30-2016-54584 M003, a counterpart foreign application of Design U.S. Appl. No. 29/567,146, 2 pages.

The Indian Office Action dated Dec. 13, 2016 for Indian Design Application No. 288537, a counterpart foreign application of Design U.S. Appl. No. 29/567,146, 2 pages.

The Indian Office Action dated Dec. 27, 2016 for Indian Design Application No. 288538, a counterpart foreign application of Design U.S. Appl. No. 29/567,146, 2 pages.

* cited by examiner

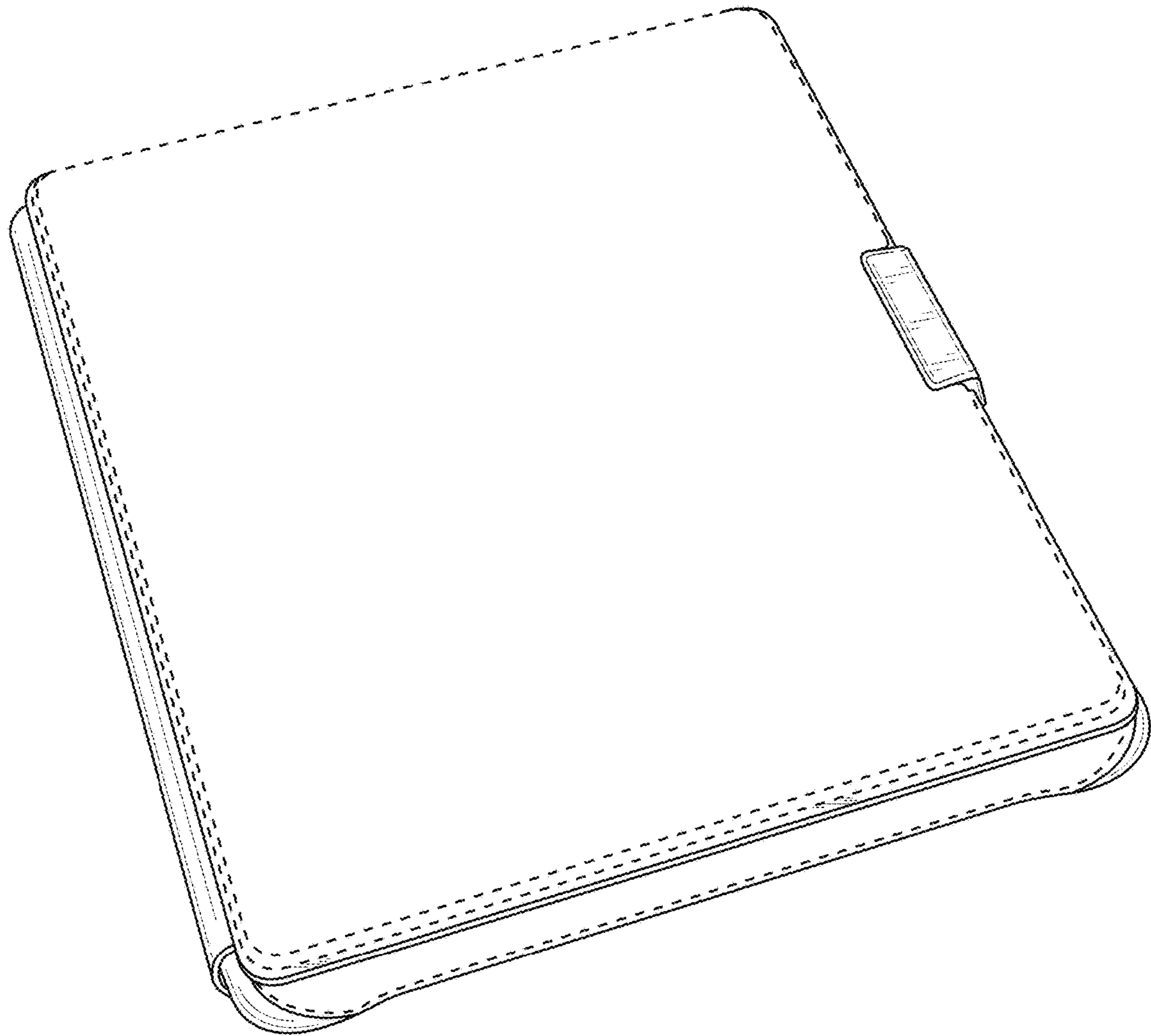


FIG. 1

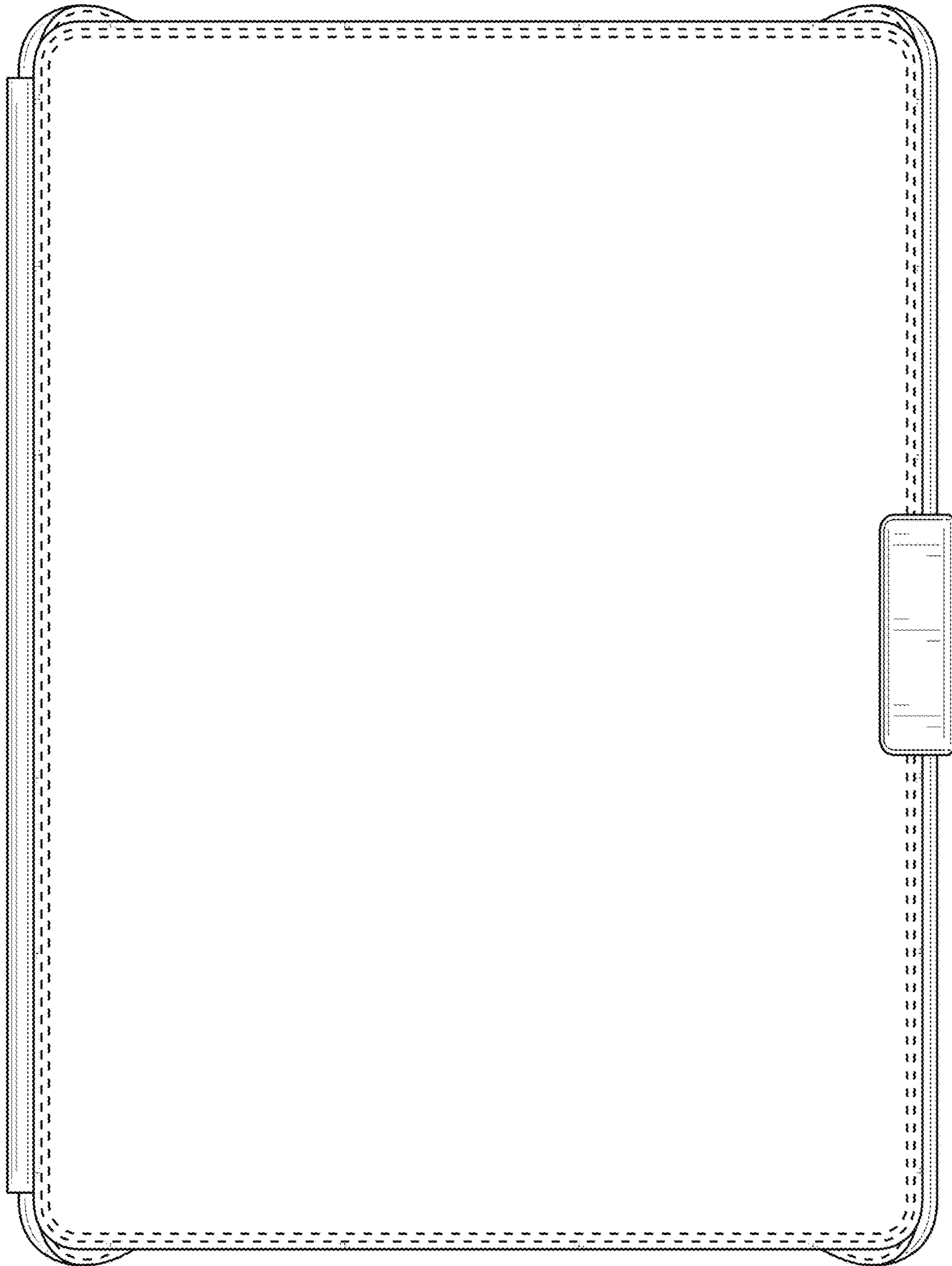


FIG. 2

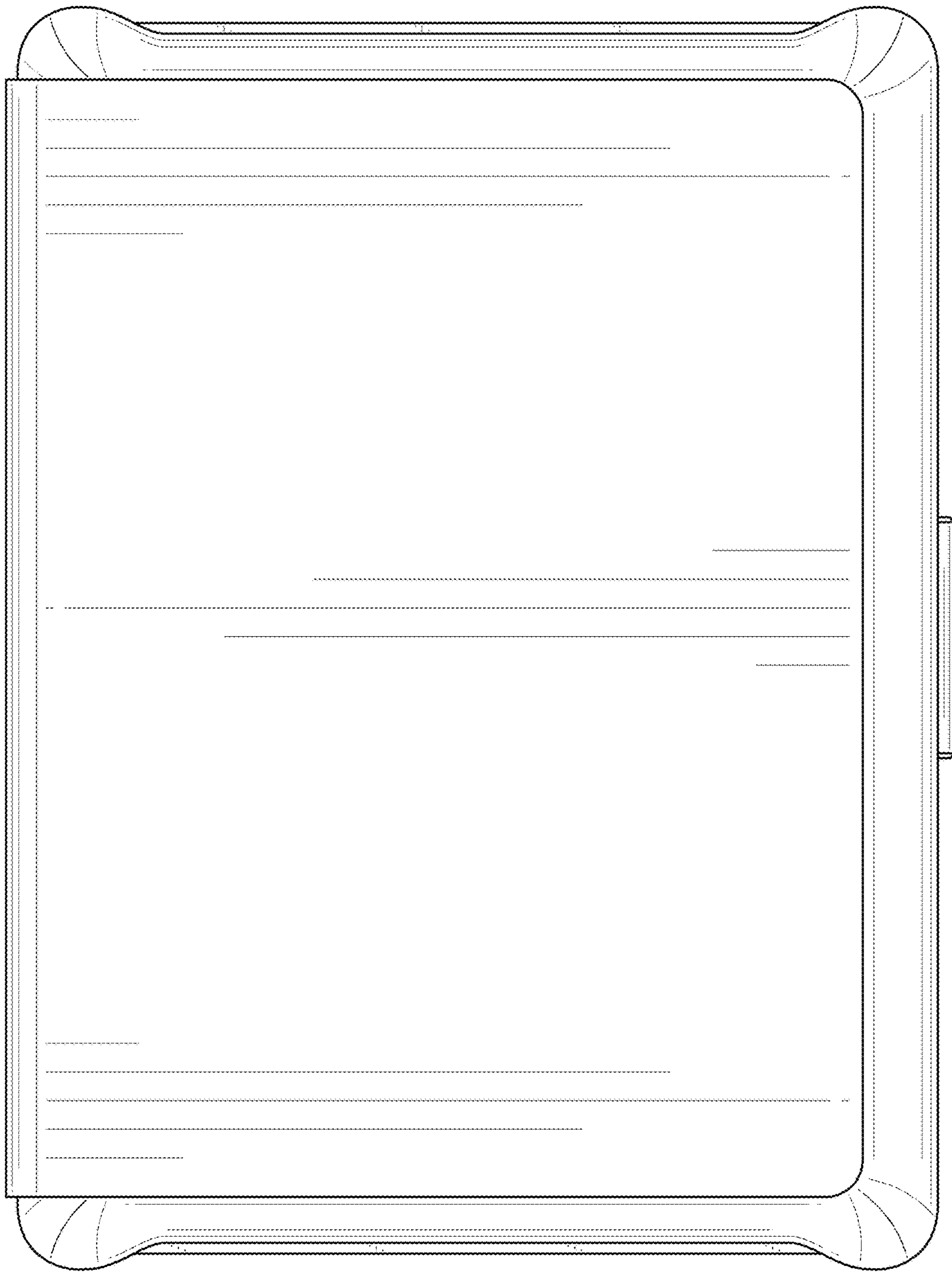


FIG. 3

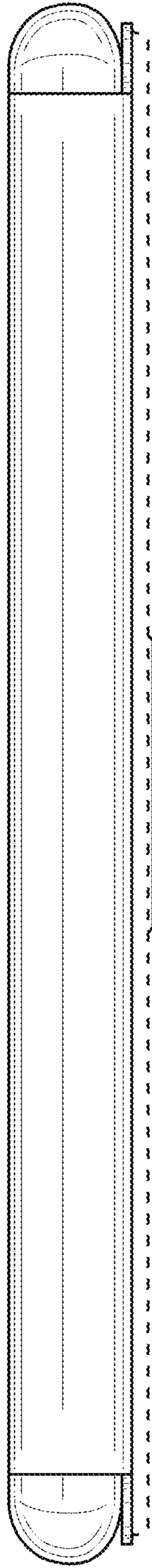


FIG. 4

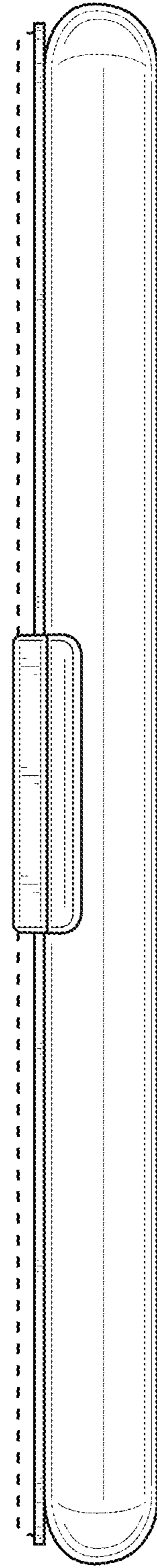


FIG. 5

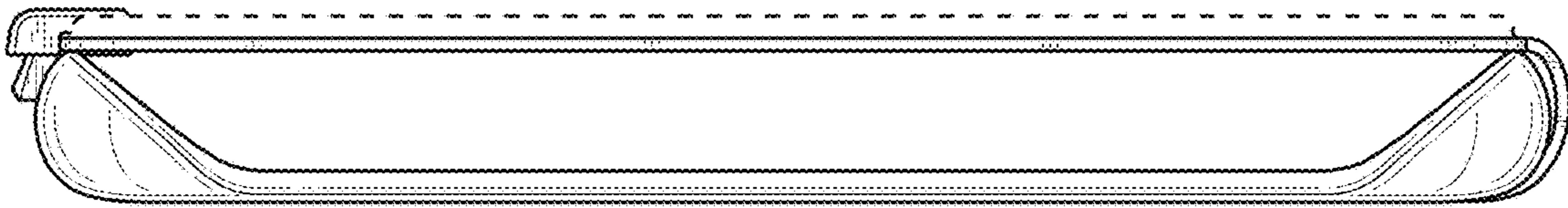


FIG. 6

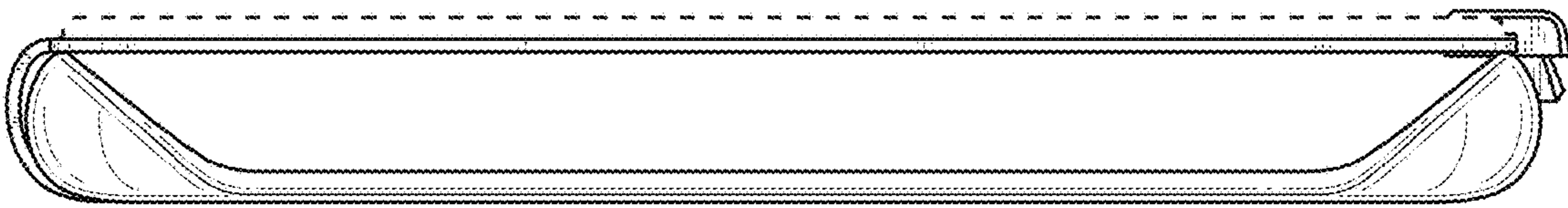


FIG. 7