



US00D810087S

(12) **United States Design Patent** (10) **Patent No.:** **US D810,087 S**
Xie (45) **Date of Patent:** **** Feb. 13, 2018**

(54) **BUILT-IN DATA ADAPTER BOX**
(71) Applicant: **Foner Technology Co. Ltd.,**
Shenzhen (CN)
(72) Inventor: **Shengliang Xie, Shenzhen (CN)**
(73) Assignee: **FONERIC TECHNOLOGY CO.**
LTD., Shenzhen (CN)
(**) Term: **15 Years**
(21) Appl. No.: **29/591,518**
(22) Filed: **Jan. 20, 2017**
(51) **LOC (11) Cl.** **14-02**
(52) **U.S. Cl.**
USPC **D14/433**
(58) **Field of Classification Search**
USPC D14/356, 432-434, 453, 454, 511, 203.8,
D14/209.1, 238.1, 240, 125, 435.1;
439/638, 928, 105, 502; 710/303, 304,
710/305; 361/679.41, 679.55, 679.56;
D13/110, 133, 146, 108; 320/111
CPC G06K 19/005; G06K 19/07732; H05K
5/0278; G09F 23/10
See application file for complete search history.

(56) **References Cited**
U.S. PATENT DOCUMENTS
D484,137 S * 12/2003 Wikel D13/133
D626,963 S * 11/2010 Kim D14/420

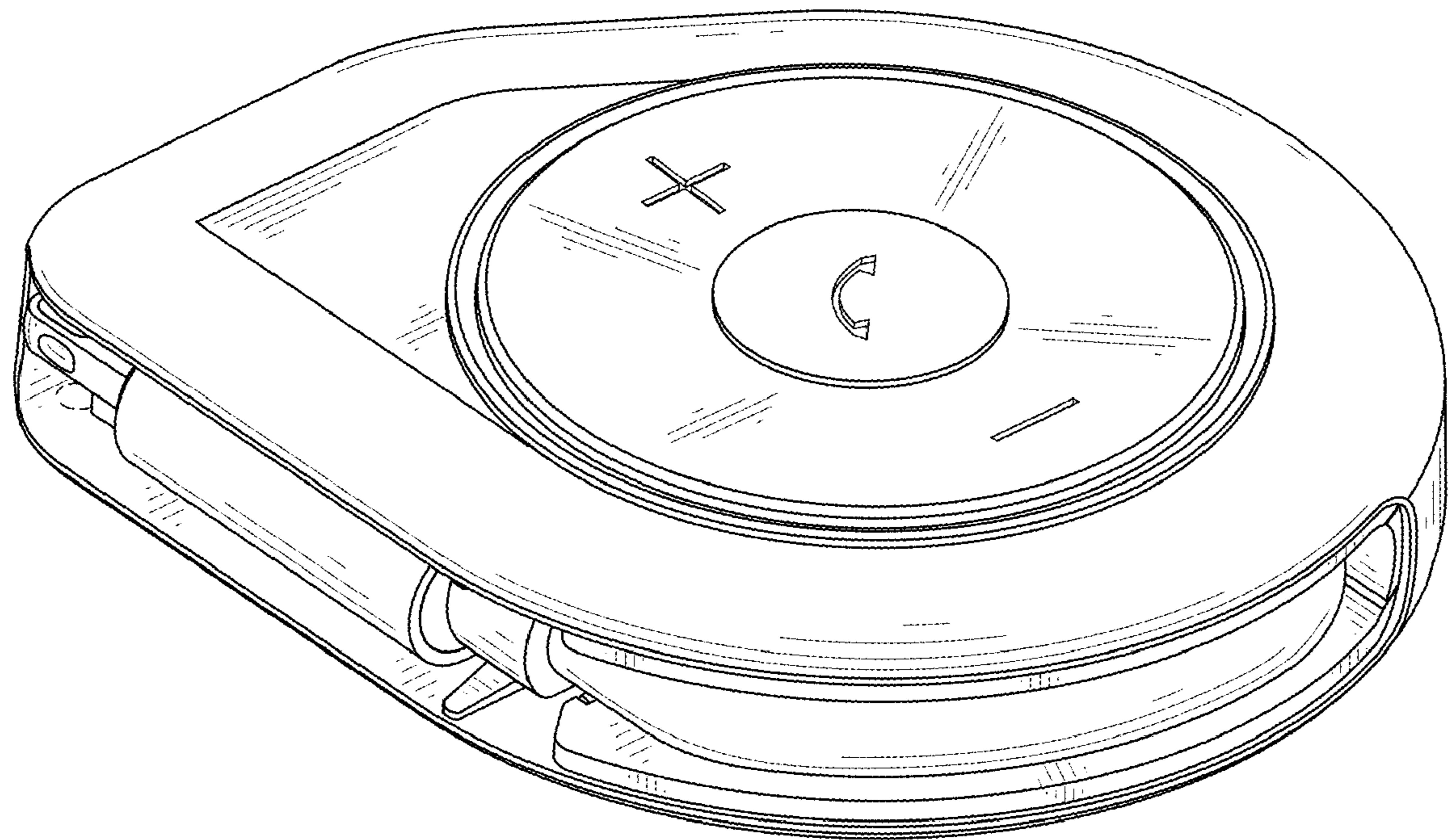
D645,818 S * 9/2011 Guccione D13/108
D678,285 S * 3/2013 Chen D14/433
D685,790 S * 7/2013 Tang D14/218
D757,011 S * 5/2016 Sakai D14/433
D784,963 S * 4/2017 Saule D14/228
D786,876 S * 5/2017 Huang D14/433
D791,700 S * 7/2017 Loewen D13/108
D793,399 S * 8/2017 Feldstein D14/433
D796,435 S * 9/2017 Cho D13/108
D796,513 S * 9/2017 Feldstein D14/433
2004/0001322 A1 * 1/2004 Cho H02J 9/00
361/752

* cited by examiner
Primary Examiner — Austin Murphy
(74) *Attorney, Agent, or Firm* — Locke Lord LLP; Tim
Tingkang Xia, Esq.

(57) **CLAIM**
The ornamental design for a built-in data adapter box, as
shown and described.

DESCRIPTION
FIG. 1 is a perspective view of a built-in data adapter box
showing my new design;
FIG. 2 is a perspective view thereof from another angle;
FIG. 3 is a top view thereof;
FIG. 4 is a bottom view thereof;
FIG. 5 is a front elevational view thereof;
FIG. 6 is a rear elevational view thereof;
FIG. 7 is a left elevational view thereof; and,
FIG. 8 is a right elevational view thereof.

1 Claim, 8 Drawing Sheets



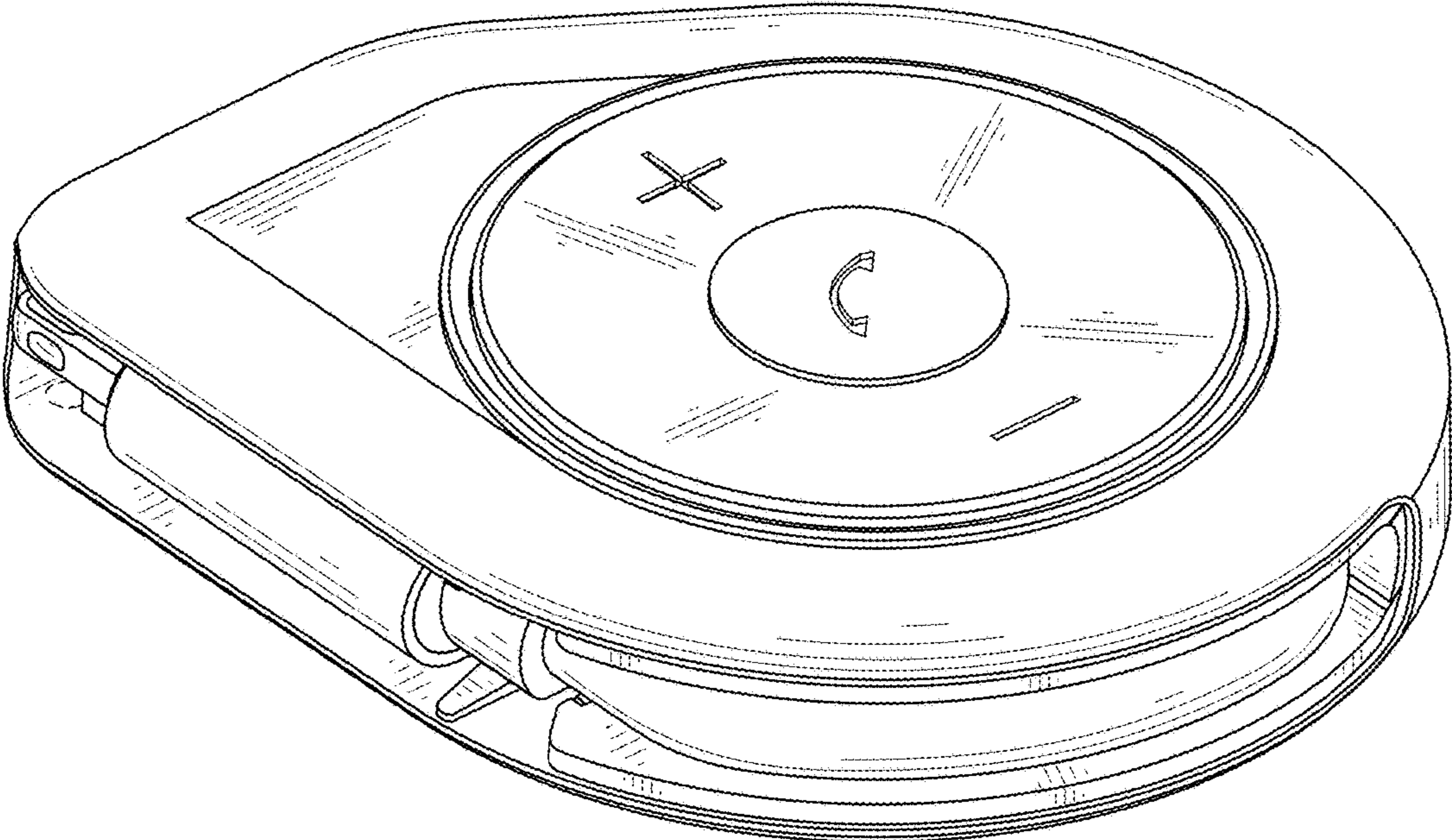


FIG. 1

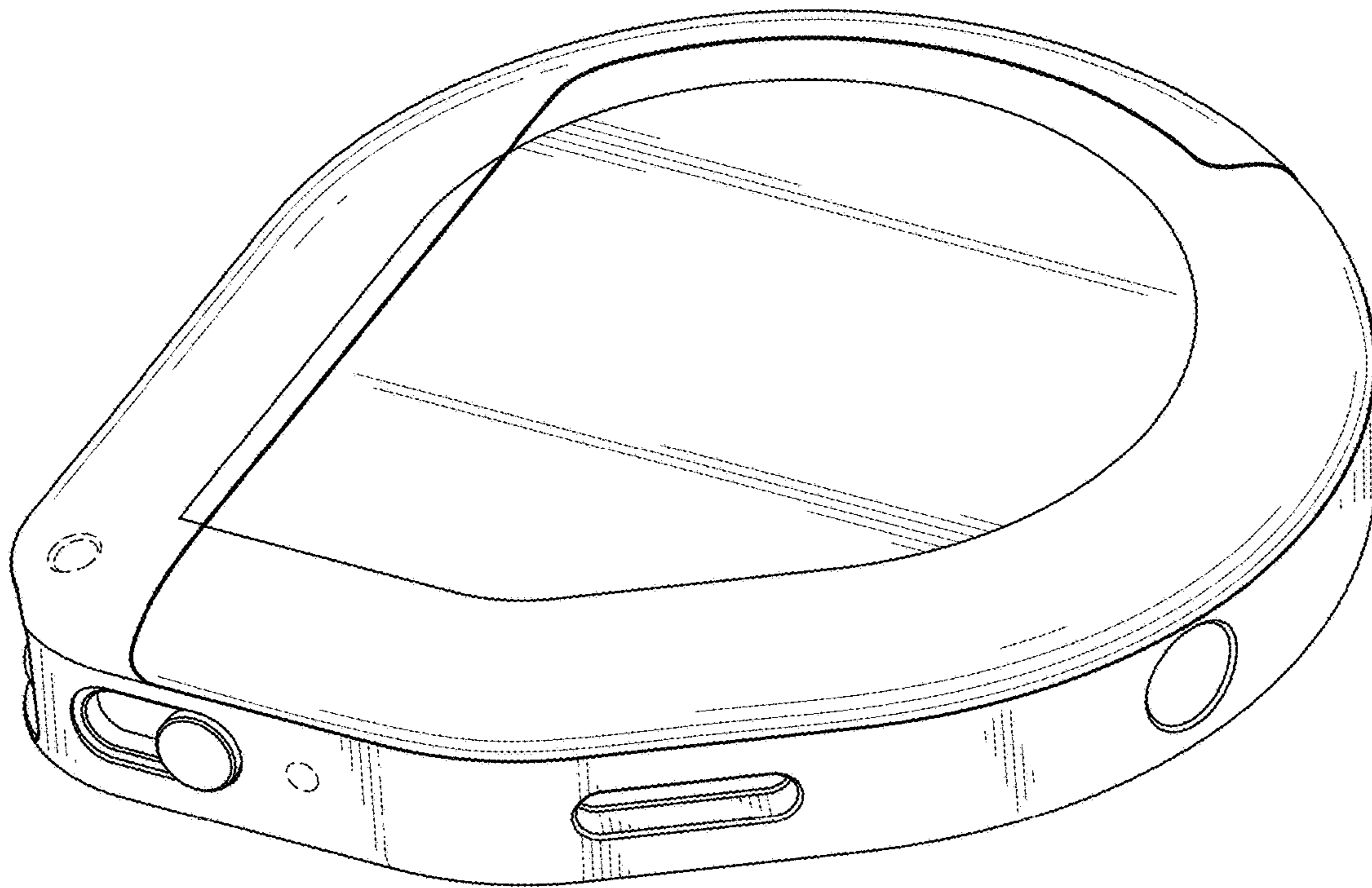


FIG. 2

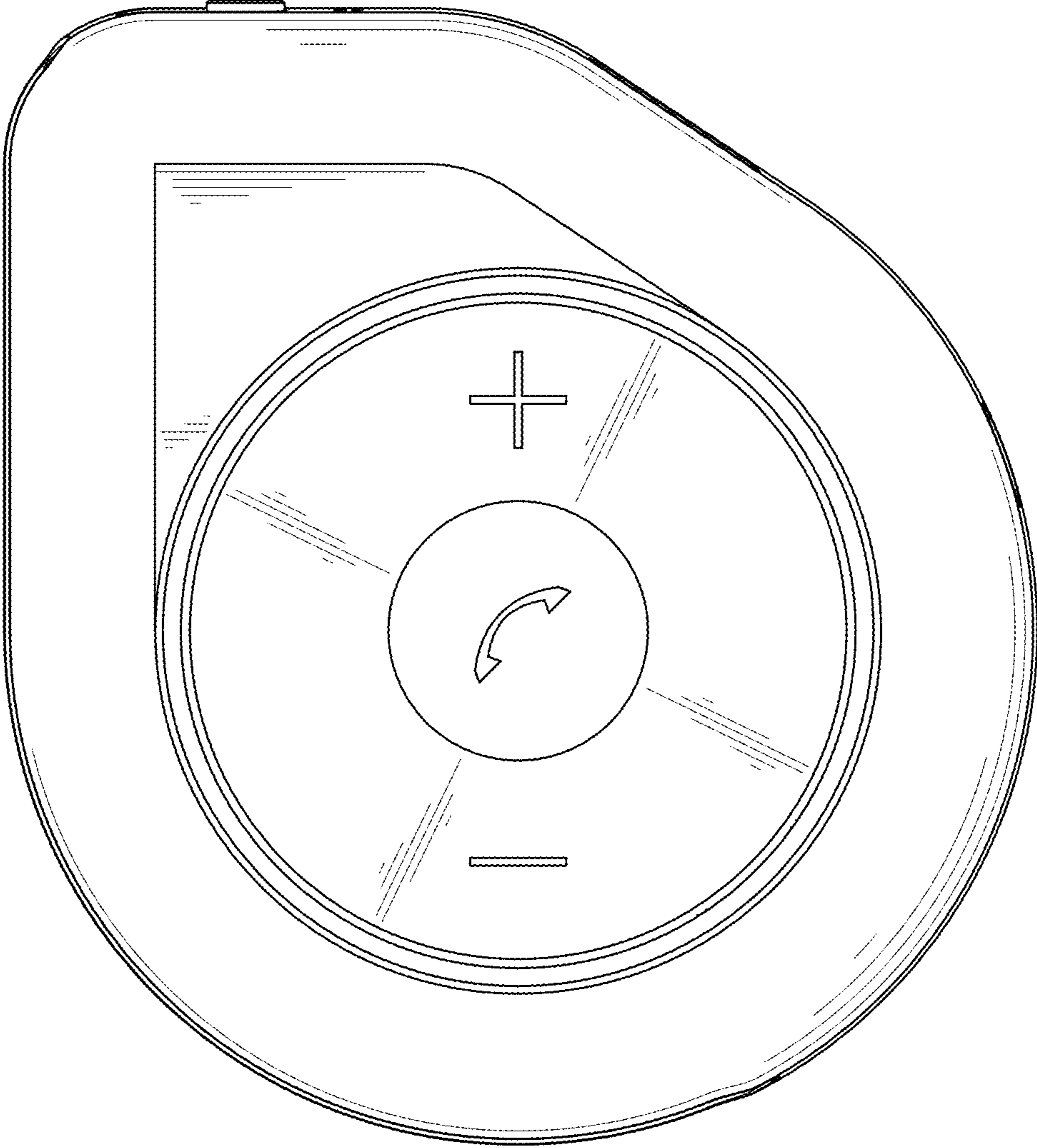


FIG. 3

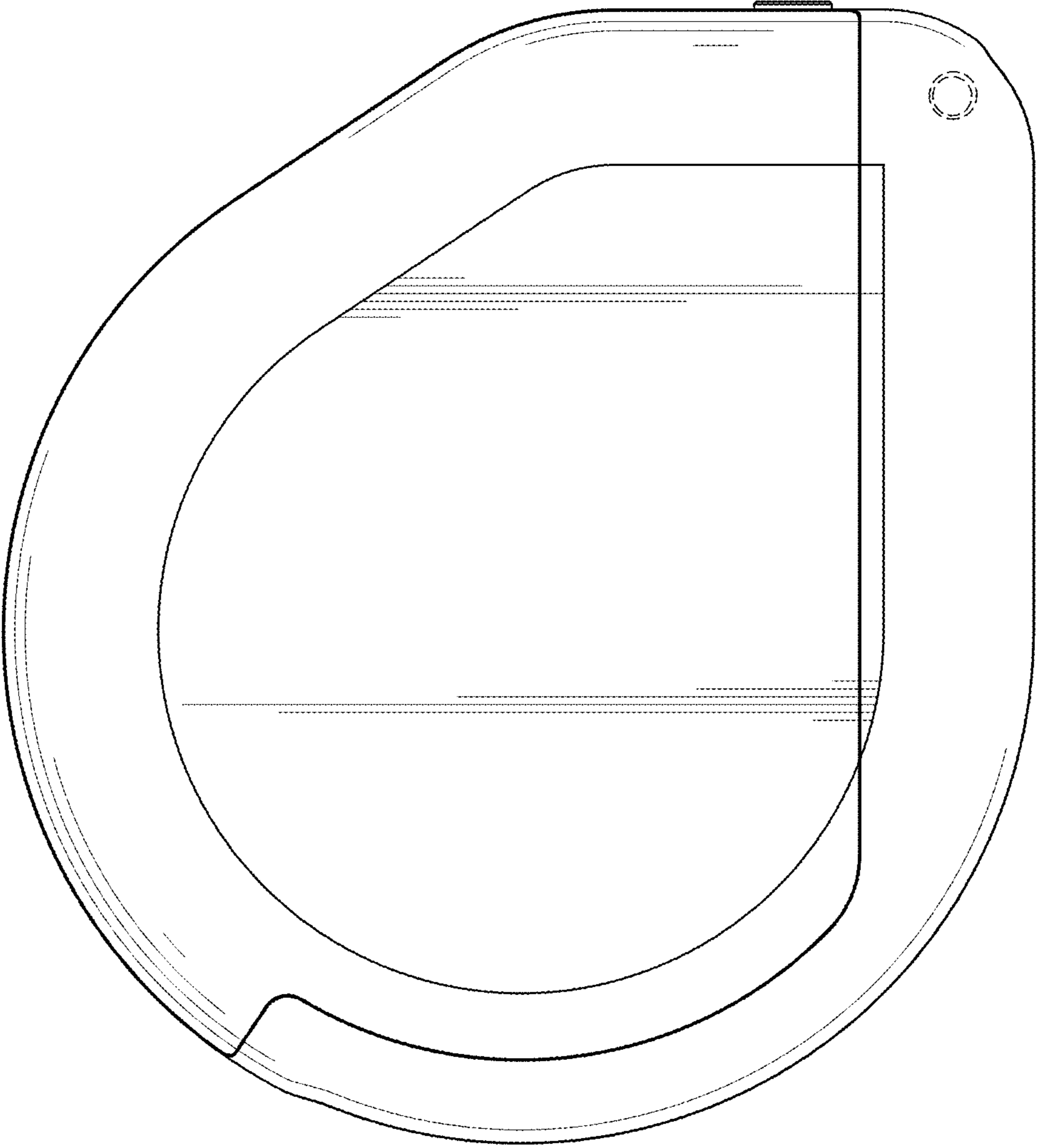


FIG. 4

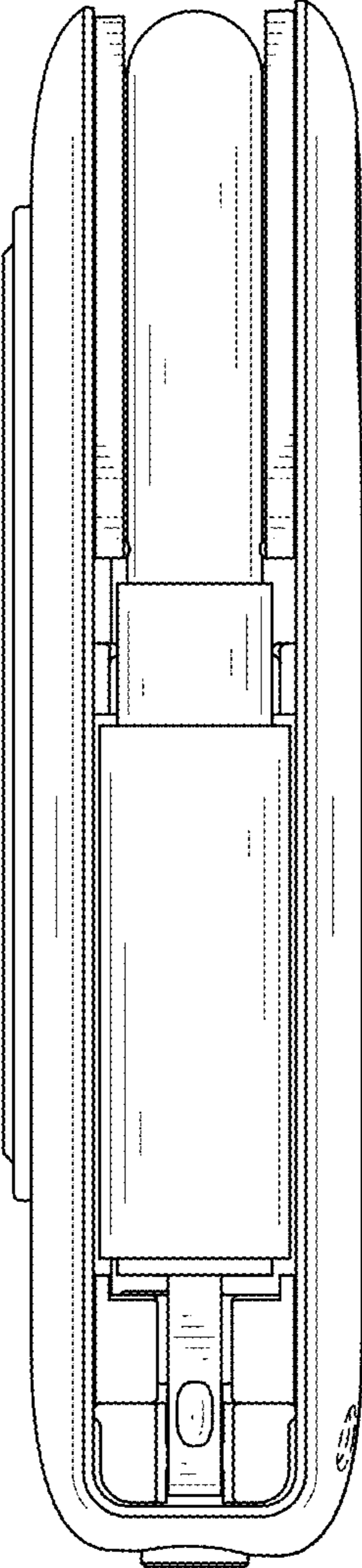


FIG. 5

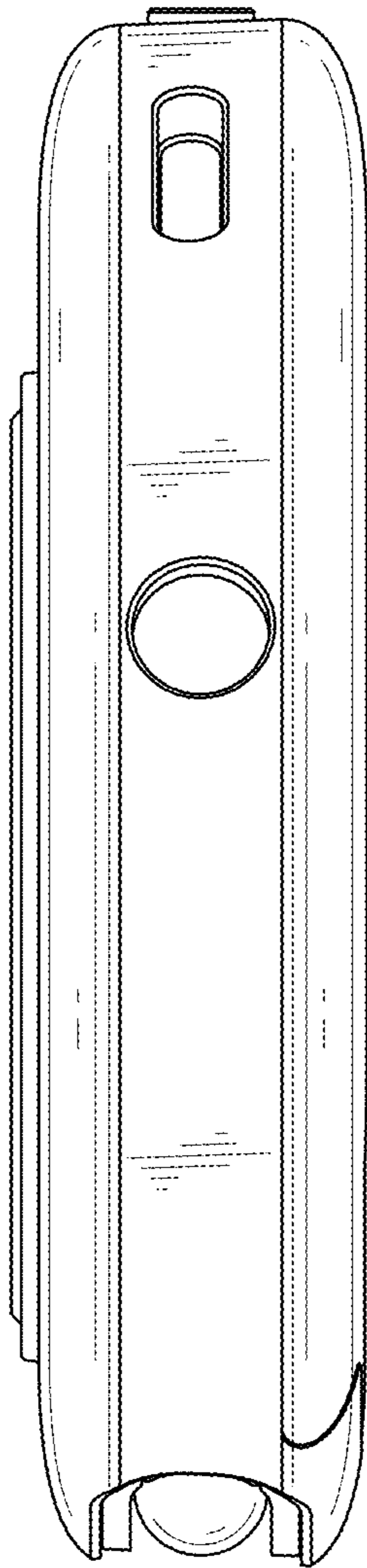


FIG. 6

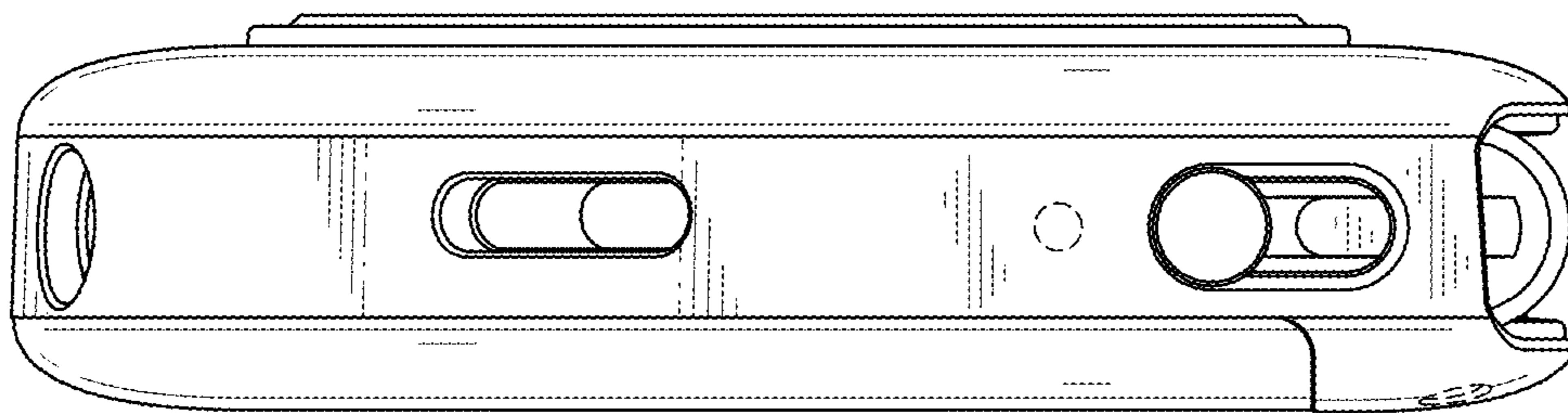


FIG. 7

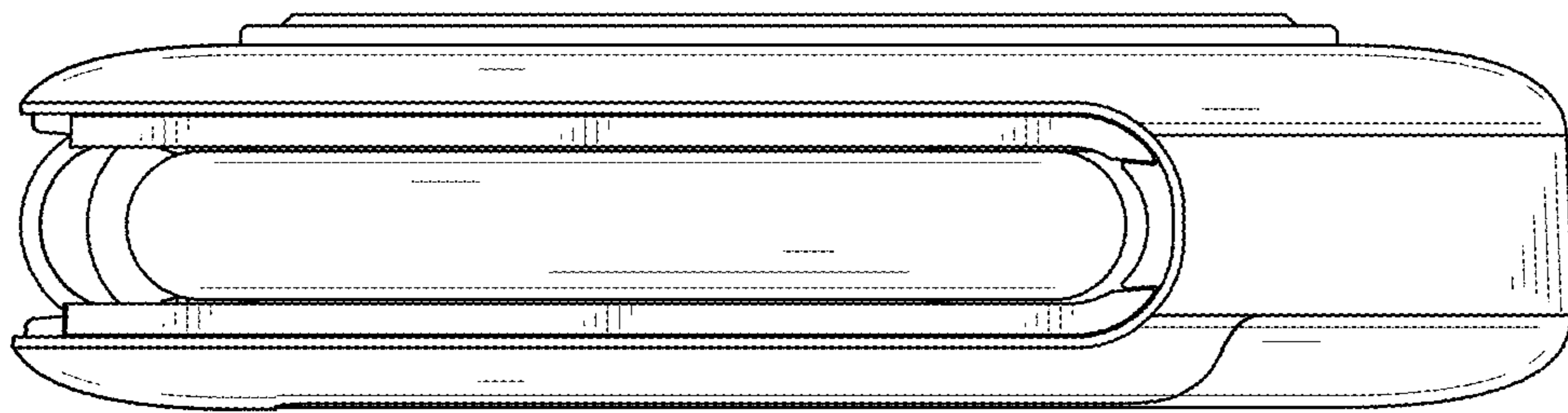


FIG. 8