



US00D810085S

(12) **United States Design Patent**
Liu et al.

(10) **Patent No.:** **US D810,085 S**
(45) **Date of Patent:** **** Feb. 13, 2018**

(54) **3D SCANNER**

(71) Applicant: **Shenzhen ESUN Display Co., Ltd.**,
Shenzhen (CN)

(72) Inventors: **Menglong Liu**, Shenzhen (CN);
Kaibing Xiang, Shenzhen (CN);
Hailong Chen, Shenzhen (CN); **Bo Peng**,
Shenzhen (CN); **Hongchen Zhu**,
Shenzhen (GD)

(73) Assignee: **SHENZHEN ESUN DISPLAY CO., LTD.**,
Shenzhen (CN)

(**) Term: **15 Years**

(21) Appl. No.: **29/544,947**

(22) Filed: **Nov. 8, 2015**

(30) **Foreign Application Priority Data**

May 18, 2015 (CN) 2015 3 0147869

(51) **LOC (11) Cl.** **14-02**

(52) **U.S. Cl.**
USPC **D14/423; D14/420**

(58) **Field of Classification Search**
USPC D14/420-425, 453; 433/222.1, 223,
433/213-215, 73, 24, 29, 37, 202.1;
700/98, 97, 118, 161, 163, 182; 264/16,
264/17, 19, 219, 225; 374/1; 707/104.1;
249/54; 600/590; D20/1-9; 194/205,
194/206, 244, 321, 345, 346, 350;
D18/3.3, 4.4, 12, 49; D99/28, 43;
235/381, 472.01; D10/104.1, 18, 21-28,
D10/46, 93, 104, 106, 113, 114, 116.1,
D10/121; D13/180, 168, 108, 107, 199,
D13/118, 109, 110.119, 184; D21/479,
D21/488, 471, 478, 484, 333, 392;
D24/121; D19/86, 65; D9/772-776;
361/600, 679, 683, 686; 320/113-115,
320/107; 455/557, 556.1, 556.2, 573;

345/156, 901, 905; 439/374, 131, 529,
439/534, 929, 346, 31, 640; 248/309.1,
248/221.11; 348/46, 280, 340
CPC H01L 27/14627; H01L 27/14621; H01L
21/67288; H01L 21/00; G06T 11/003;
G06T 11/00; G06T 11/001; G06T 11/005;
G06T 1/00; G06T 1/0007; G06T 3/80037;
G06T 3/0043; G06T 3/0056; G06T
3/0062; G06T 3/0087; G06T 3/20; G06T
3/40; G06T 3/60; G06T 3/602; G06T
3/604; G06T 3/606; G06T 3/608; G06T
5/009;

(Continued)

(56) **References Cited**

U.S. PATENT DOCUMENTS

4,910,601 A * 3/1990 Gerlach H04N 1/0411
358/474
5,659,404 A * 8/1997 Matsuda H04N 1/387
358/474

(Continued)

Primary Examiner — Susan Moon Lee

(74) *Attorney, Agent, or Firm* — Hemisphere Law, PLLC

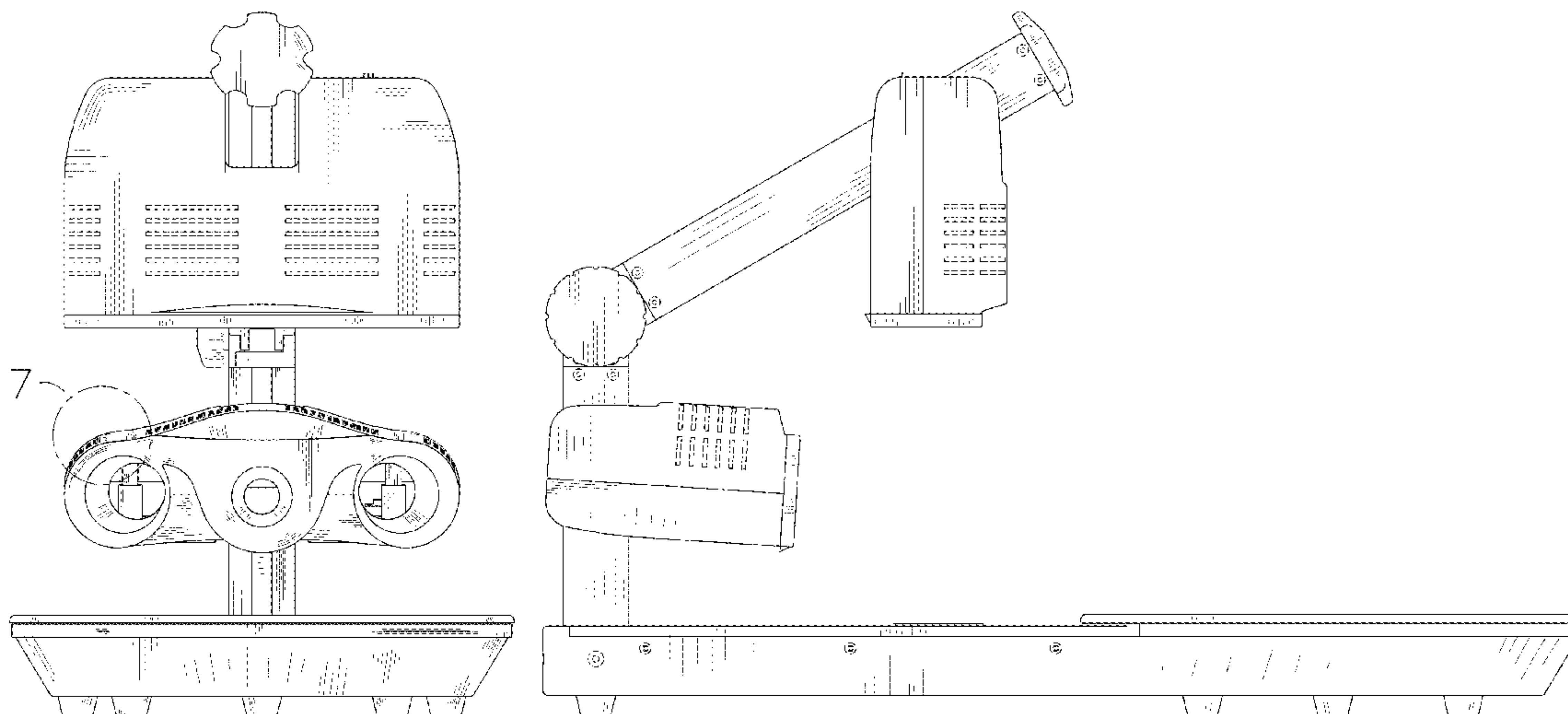
(57) **CLAIM**

The ornamental design for a 3D scanner, as shown.

DESCRIPTION

FIG. 1 is a front elevational view of the 3D scanner;
FIG. 2 is a rear elevational view thereof;
FIG. 3 is a left side elevational view thereof;
FIG. 4 is a right side elevational view thereof;
FIG. 5 is a top plan view thereof;
FIG. 6 is a bottom plan view thereof;
FIG. 7 is an enlarged view of part of FIG. 1; and,
FIG. 8 is an enlarged view of part of FIG. 2.
The broken lines and unshaded portions contained within
broken lines depict unclaimed features of the 3D scanner
and form no part of the claimed design.

1 Claim, 8 Drawing Sheets



(58) **Field of Classification Search**

CPC G06T 5/10; G06T 5/20; G06T 5/40; G06T 5/50; G06T 7/0057; G06T 7/0061; G06T 9/001; G02B 26/123; G02B 26/127; G02B 26/101; G02B 27/0075; G02B 13/001; G02B 5/201; G02B 3/0056; H04N 5/2254; H04N 5/23212; H04N 9/3185; H04N 9/3129; H04N 13/0253; H04N 13/0221; G01B 11/2513; G01B 11/2518; G01B 11/2522; G01B 5/0002; G03F 7/70483; G06K 9/3275; G06K 2209/19

See application file for complete search history.

(56) **References Cited**

U.S. PATENT DOCUMENTS

D388,404 S * 12/1997 Kinnunen D14/423
 5,894,529 A * 4/1999 Ting G01B 11/024
 358/474
 D530,631 S * 10/2006 Tsuruta D10/46

8,284,234 B2 * 10/2012 Bjelkhagen G02B 23/24
 345/7
 8,508,751 B1 * 8/2013 Shen H04N 1/00204
 358/1.1
 D720,352 S * 12/2014 Cox D14/420
 D723,561 S * 3/2015 Buel D14/420
 9,268,979 B2 * 2/2016 Thompson G06K 7/0095
 D757,010 S * 5/2016 Kang D14/420
 2009/0103107 A1 * 4/2009 Nygaard G01B 11/026
 356/602
 2010/0020377 A1 * 1/2010 Borchers G02B 26/123
 359/216.1
 2010/0118362 A1 * 5/2010 Lee G02B 26/101
 359/198.1
 2010/0118371 A1 * 5/2010 Lee G02B 7/1821
 359/221.2
 2013/0127986 A1 * 5/2013 Richards G02B 27/0075
 348/40
 2014/0071250 A1 * 3/2014 Pan H04N 13/0221
 348/50
 2015/0109424 A1 * 4/2015 Lee A61C 9/006
 348/50

* cited by examiner

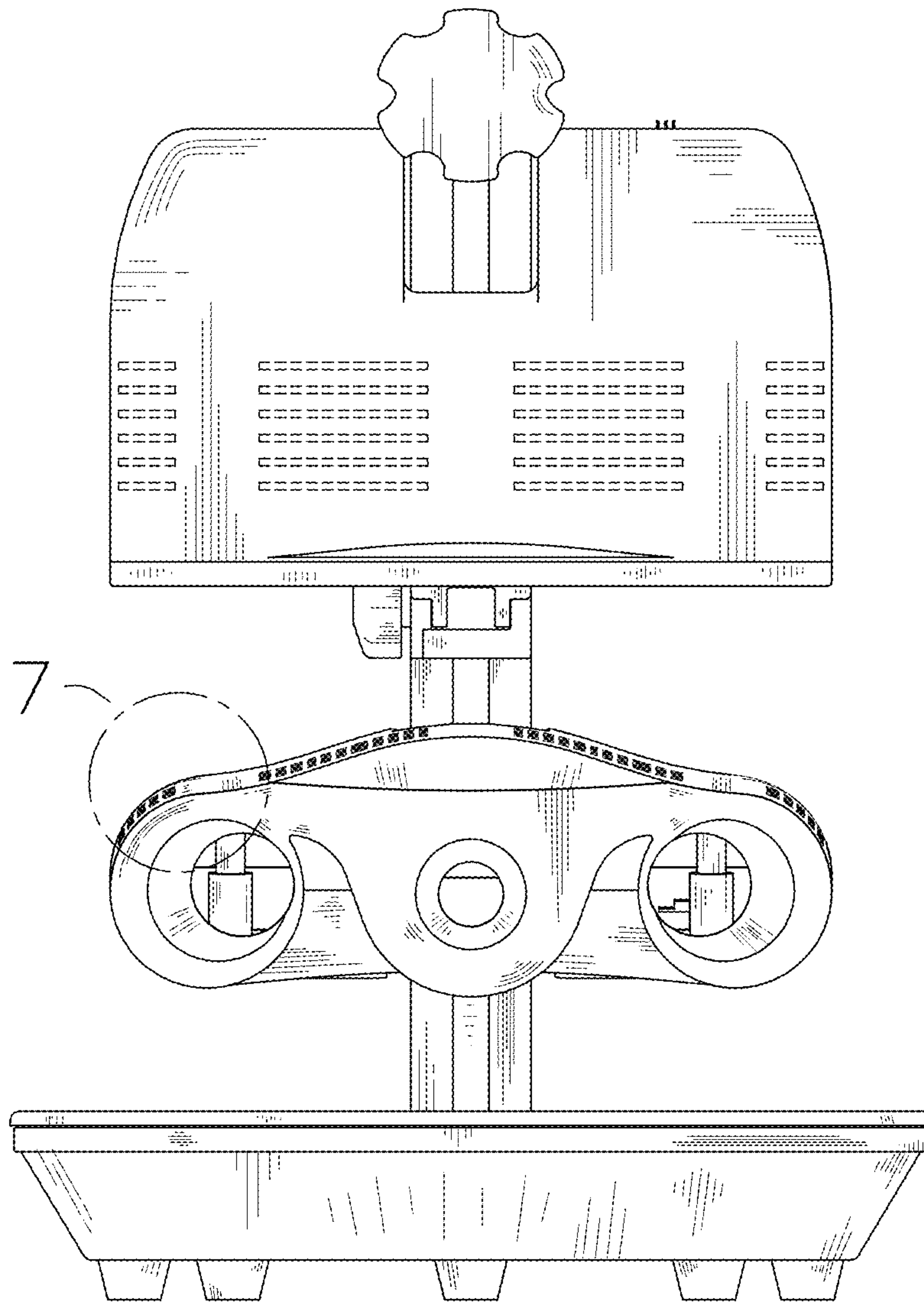


FIG. 1

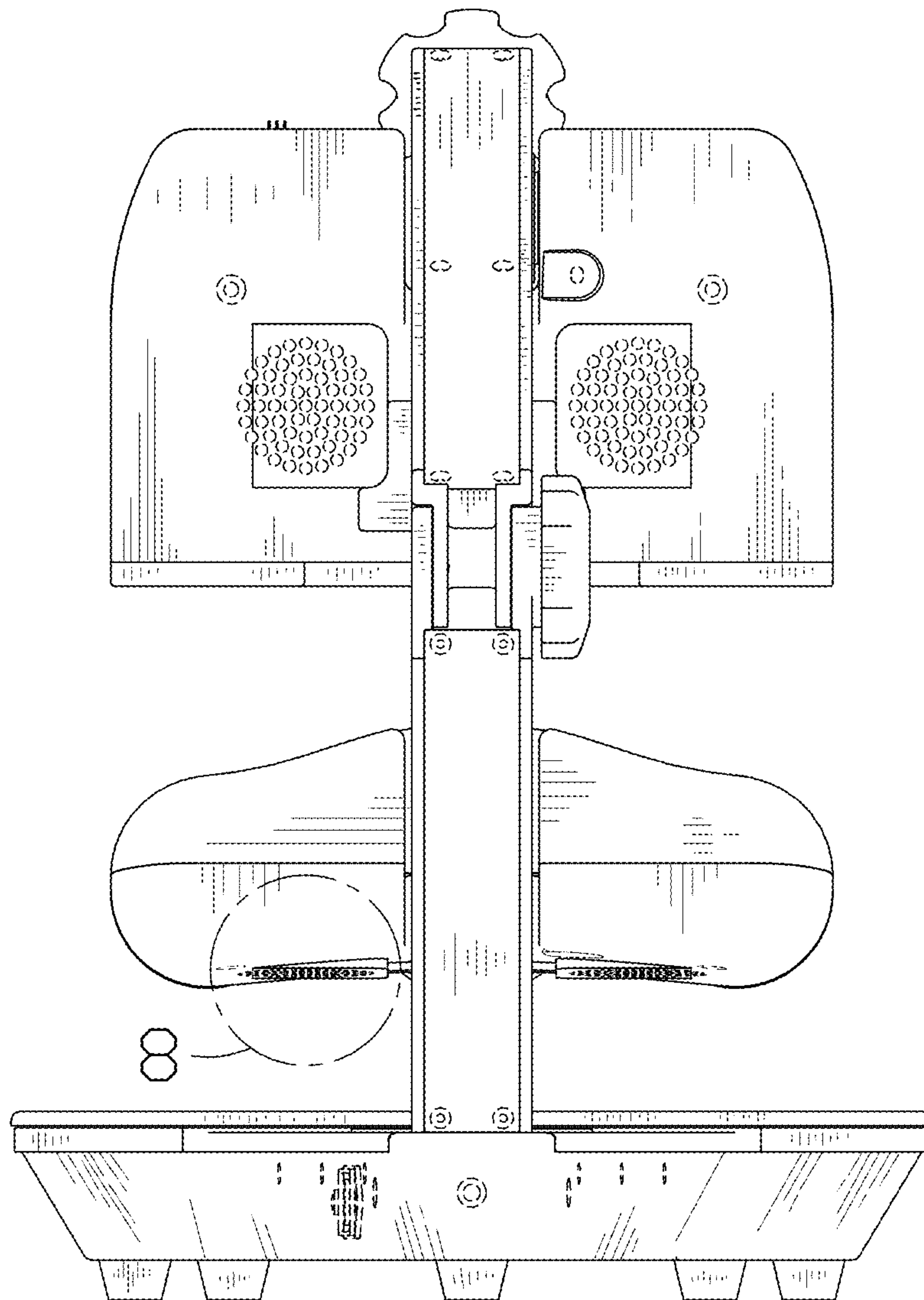


FIG. 2

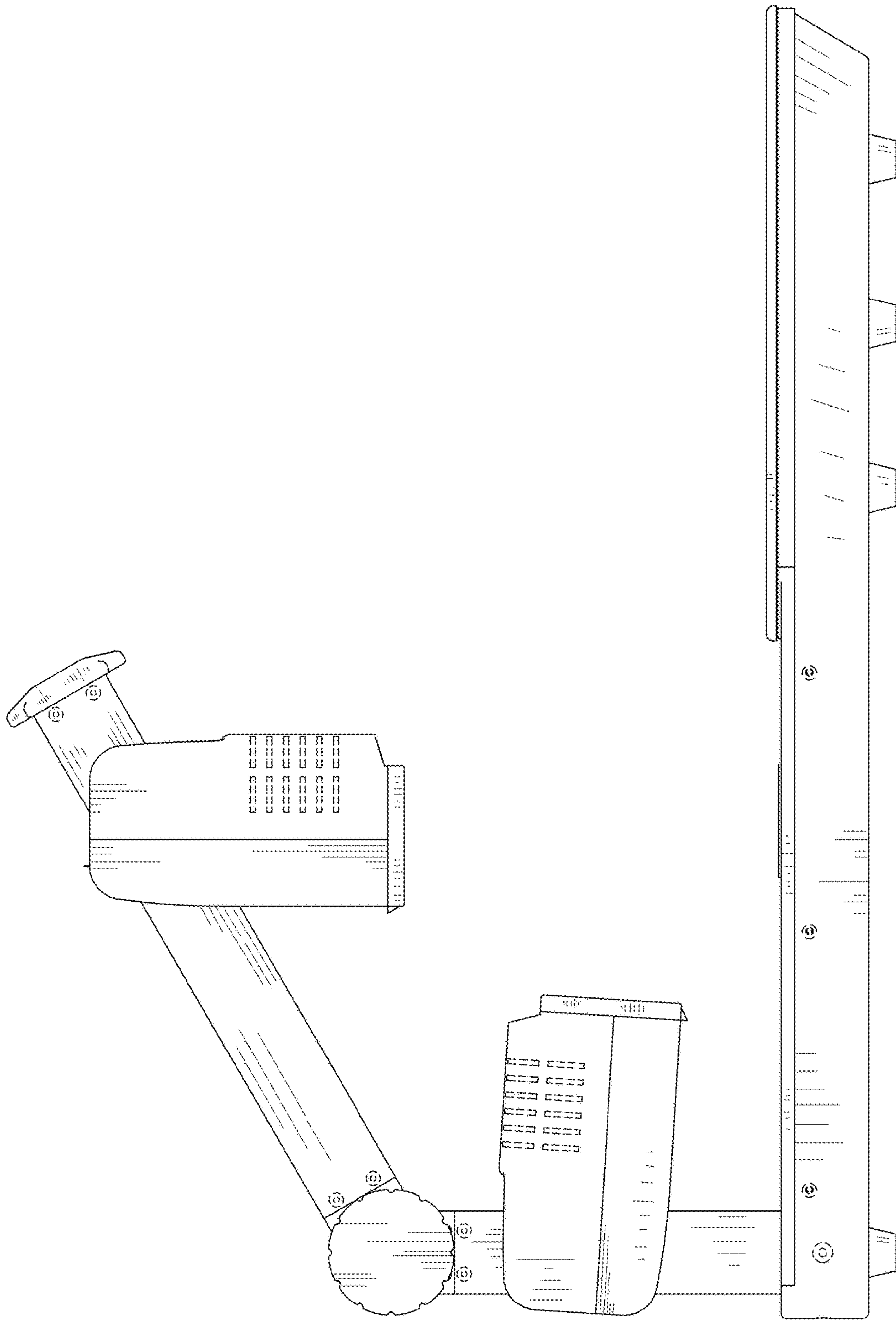


FIG. 3

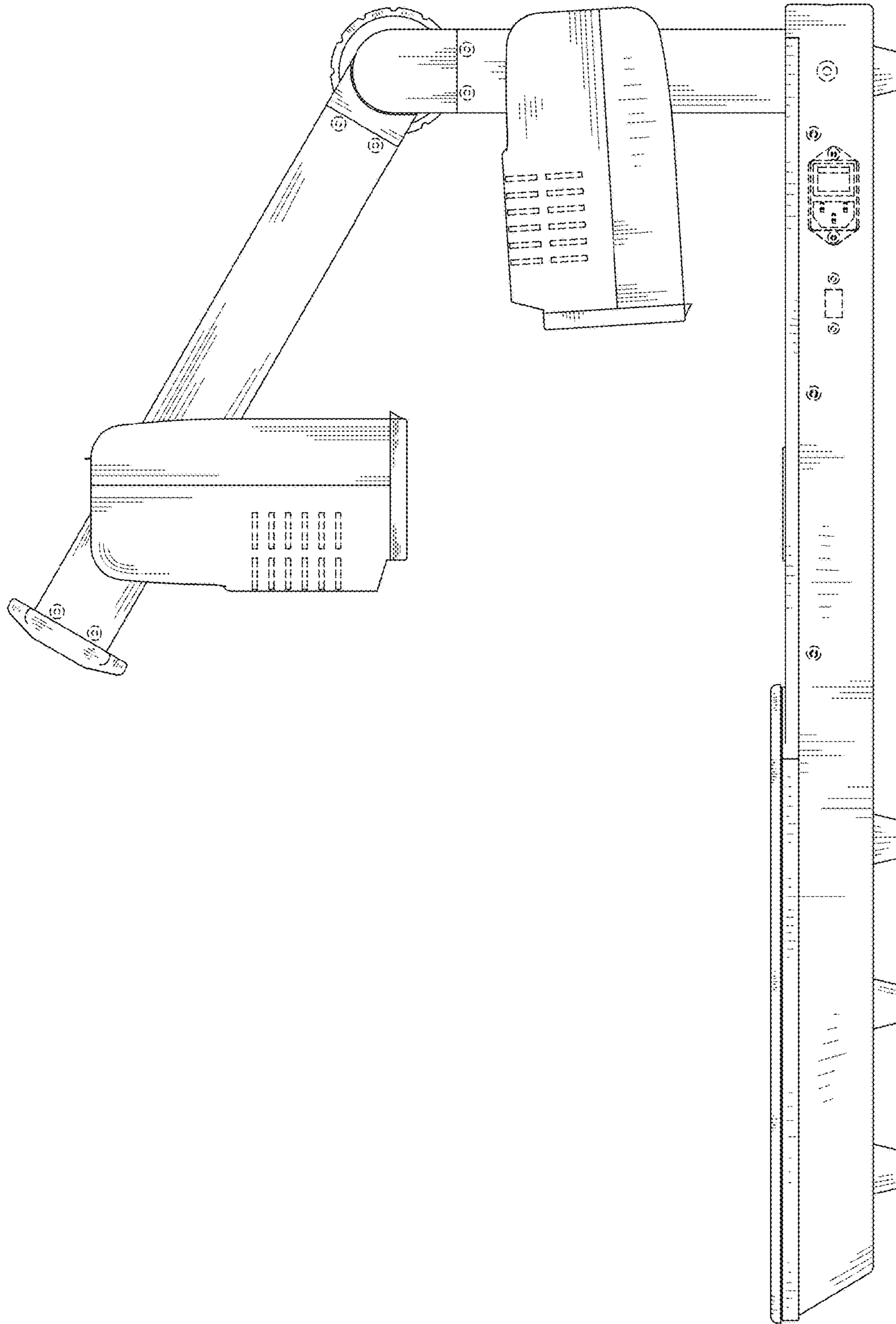


FIG. 4

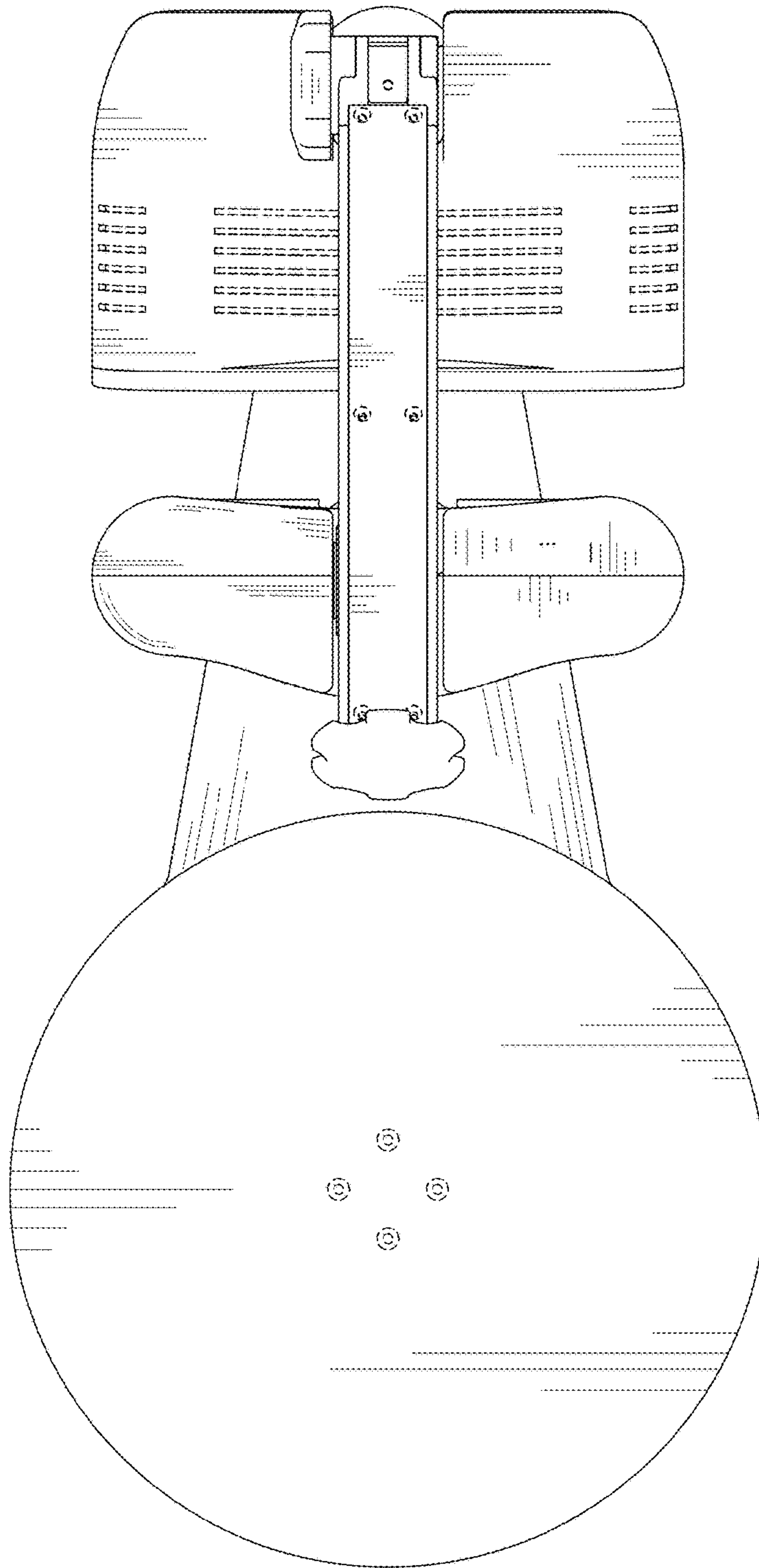


FIG. 5

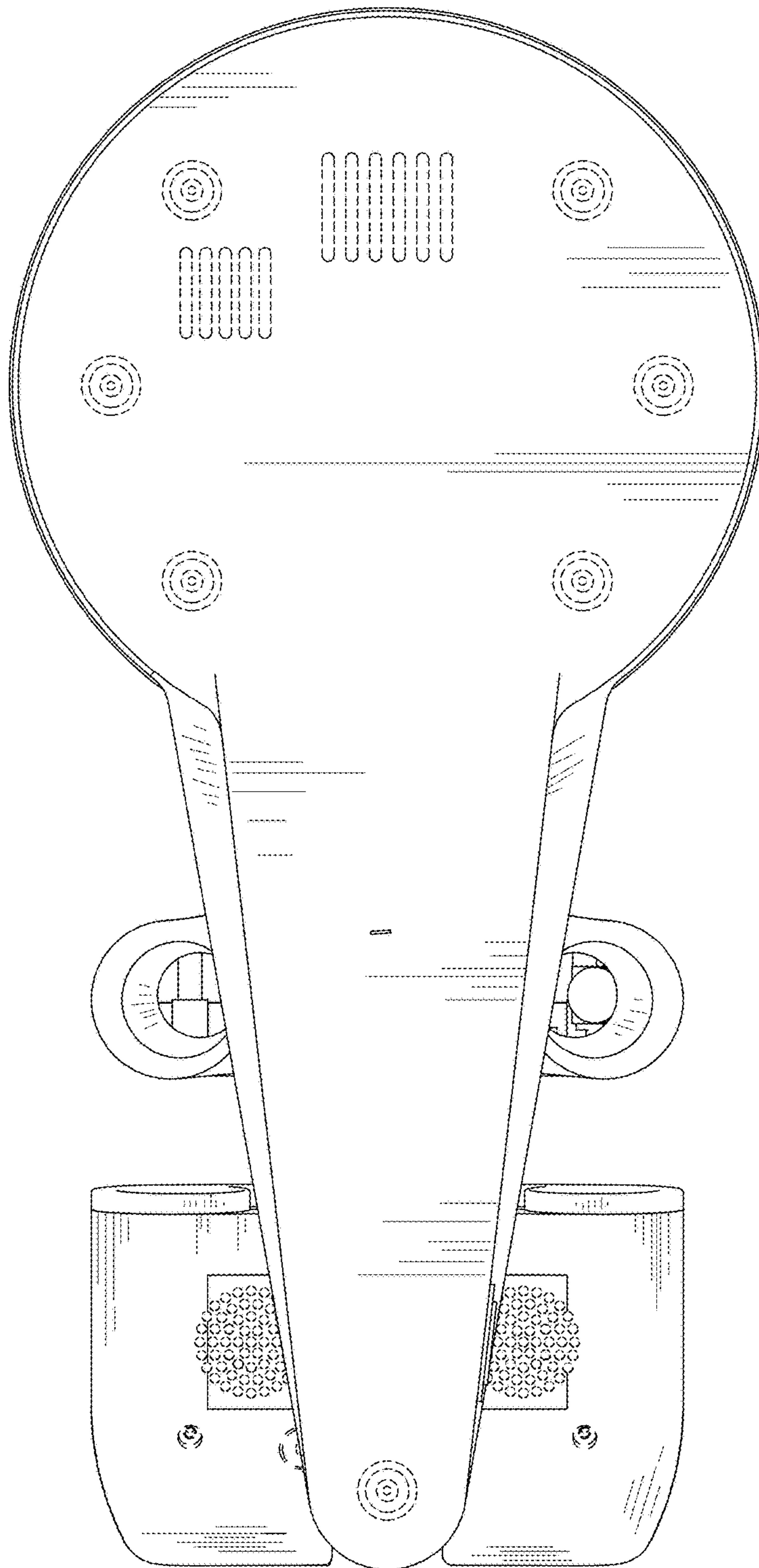


FIG. 6

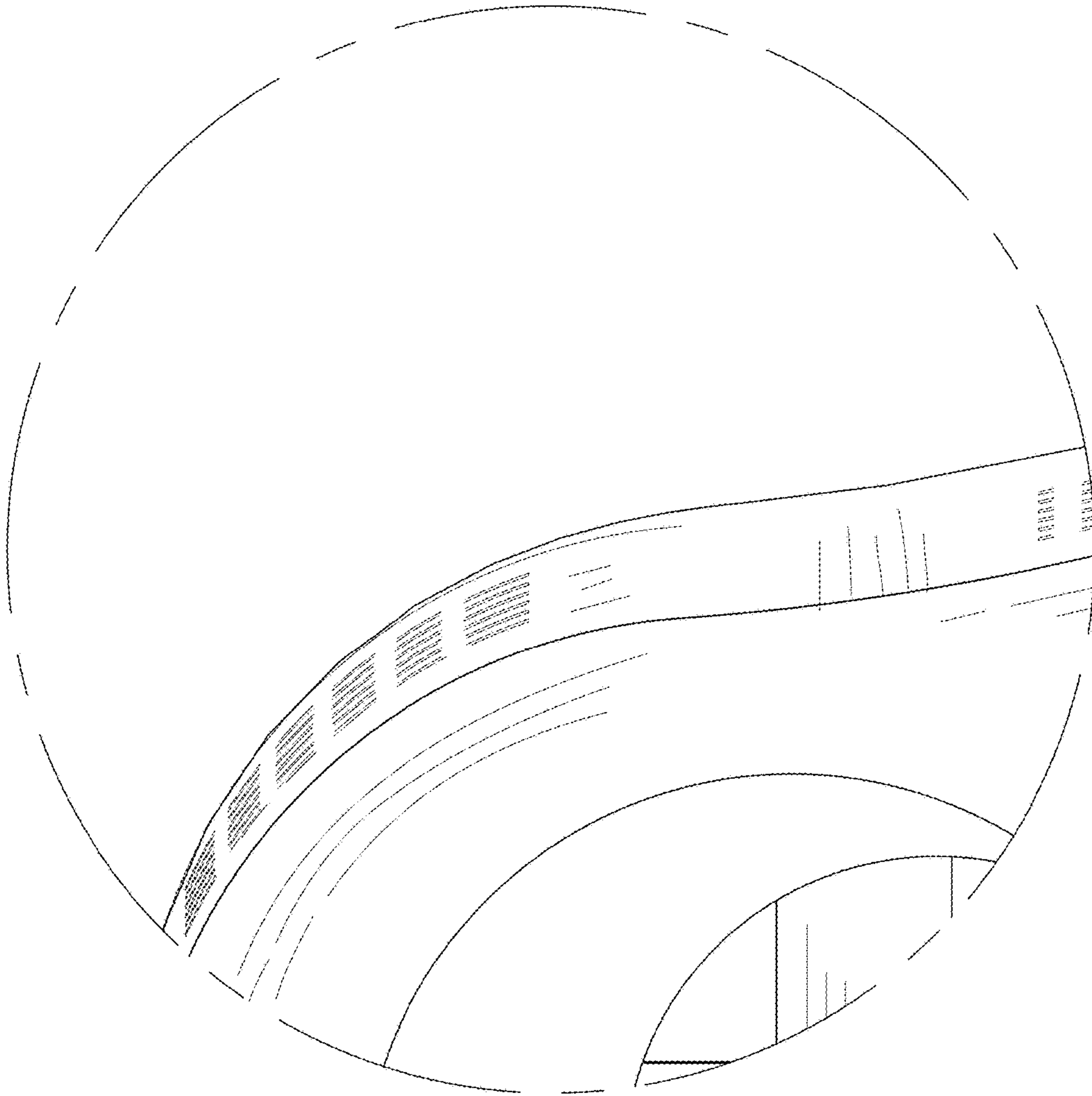


FIG. 7

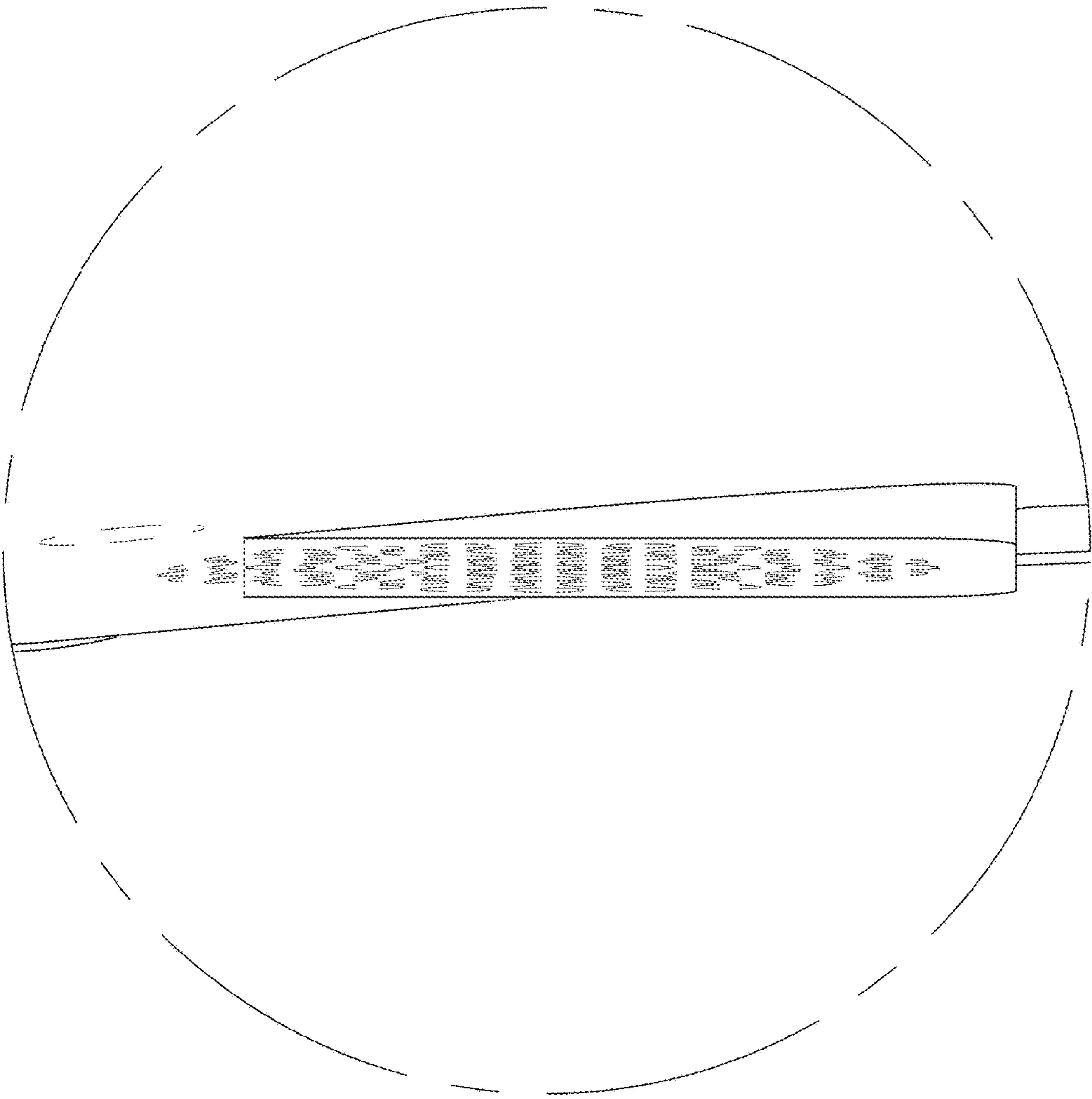


FIG. 8