

US00D810084S

(12) **United States Design Patent**
Quilter et al.

(10) **Patent No.:** **US D810,084 S**

(45) **Date of Patent:** **** Feb. 13, 2018**

(54) **MOBILE SCANNER**

(71) Applicant: **FormFox, Inc.**, Lenexa, KS (US)

(72) Inventors: **Eric J Quilter**, Park City, UT (US);
Kurt Bothner, Park City, UT (US);
James Steven Buckmiller, Salt Lake
City, UT (US)

(73) Assignee: **FormFox, Inc.**, Lenexa, KS (US)

(**) Term: **15 Years**

(21) Appl. No.: **29/558,966**

(22) Filed: **Mar. 23, 2016**

(51) **LOC (11) Cl.** **14-02**

(52) **U.S. Cl.**
USPC **D14/420; D24/216**

(58) **Field of Classification Search**
USPC D14/420-423, 453, 356-370, 383-385,
D14/388, 389, 426, 432-434, 447, 474,
D14/478, 483, 484, 496, 498, 502, 507,
D14/509, 511, 125, 130, 140, 140.1,
D14/140.5, 144, 147, 154-172, 185, 188,
D14/195, 203.1, 203.3, 203.6, 204, 216,
D14/217, 221, 222, 224.1, 228, 238.1,
D14/239-243, 260, 265, 299, 209.1;
433/222.1, 223, 213-215, 73, 24, 29, 37,
433/202.1; 700/98, 97, 118, 161, 163,
700/182; 264/16, 17, 19, 219, 225;
374/1; 707/104.1; 249/54; 600/590;
D20/1-9; 194/205, 206, 244, 321, 345,
194/346, 350; D18/3.3, 4.4, 12, 49;
D99/28, 43; 235/381, 472.01;
D10/104.1, 18, 21-28, 46, 93, 104, 106,
D10/113, 114, 116.1, 121; D13/180, 168,
D13/108, 107, 199, 118, 109, 110.119,
D13/184; D21/479, 488, 471, 478, 484,
D21/333, 392; D24/121, 216, 186, 223,
D24/227; D19/86, 65; D9/772-776;
361/600, 679, 683, 686; 320/113-115,
320/107; 455/557, 556.1, 556.2, 573;

345/156, 901, 905; 439/374, 131, 529,
439/534, 929, 346, 31, 640; 248/309.1,
248/221.11; 348/46, 280, 340; 436/518;
422/400-404, 63-67, 68.1, 82.05, 119
CPC H01L 27/14627; H01L 27/14621; H01L
21/67288; H01L 21/00; G06T 11/003;
G06T 11/00; G06T 11/001; G06T 11/005;
(Continued)

(56) **References Cited**

U.S. PATENT DOCUMENTS

D182,402 S 4/1958 Corbett
D184,606 S 3/1959 Cramer
(Continued)

Primary Examiner — Susan Moon Lee

(74) *Attorney, Agent, or Firm* — Workman Nydegger

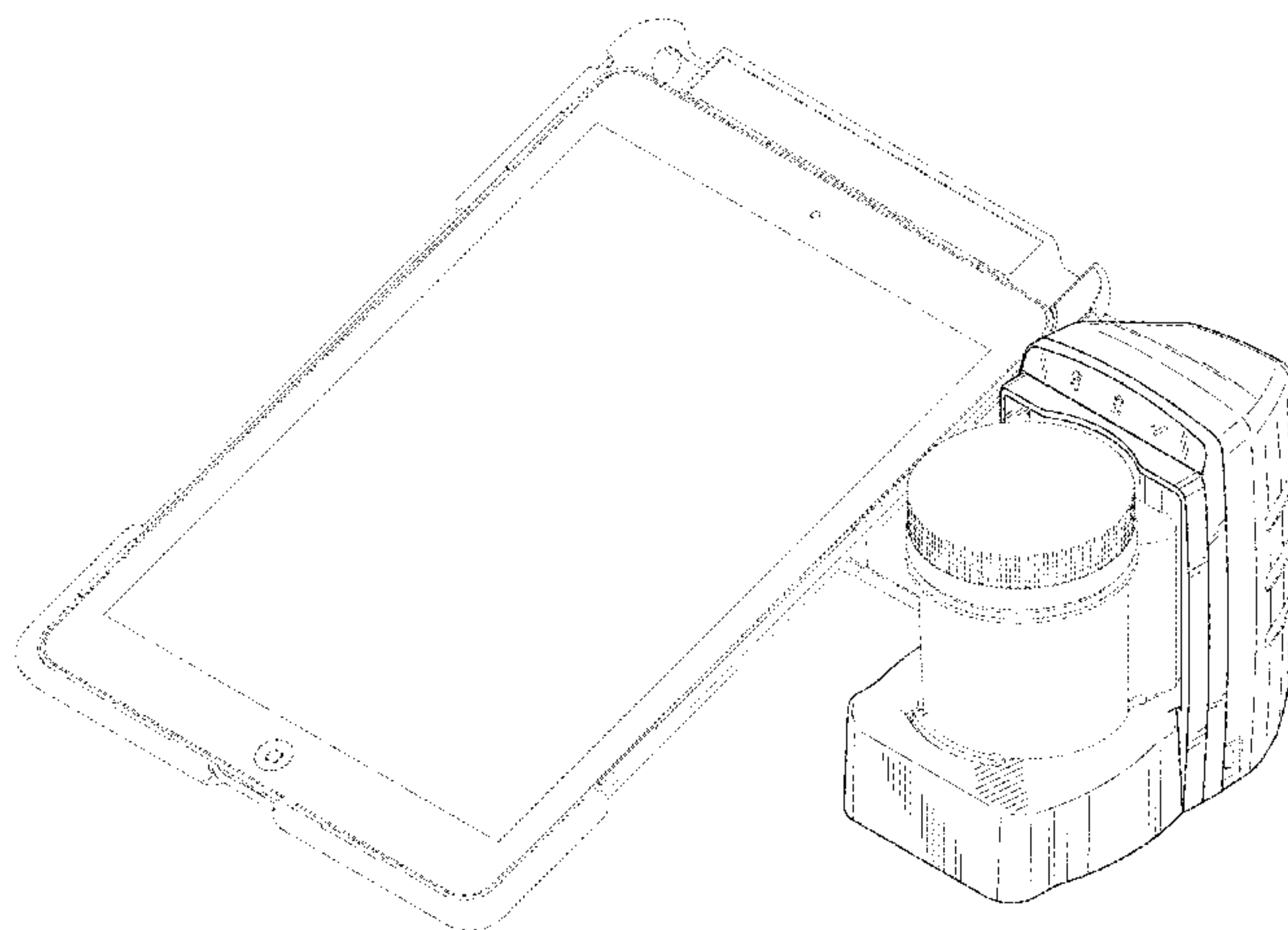
(57) **CLAIM**

The ornamental design for a mobile scanner, as shown and described.

DESCRIPTION

FIG. 1 is a perspective view of a mobile scanner incorporating our new design a mobile device secured thereto;
FIG. 2 is a front elevational view thereof;
FIG. 3 is a rear elevational view thereof;
FIG. 4 is a left side elevational view thereof;
FIG. 5 is a right side elevational view thereof;
FIG. 6 is a top plan view thereof; and,
FIG. 7 is a bottom plan view thereof.
The broken lines and unshaded portions contained within broken lines depict either exemplary parts of the mobile scanner that form no part of the present claimed design or accessory elements that might be used in conjunction with the mobile scanner that are shown for environmental illustrative purposes only and that form no part of the design claim.

1 Claim, 7 Drawing Sheets



US D810,084 S

(58) **Field of Classification Search**
 CPC G06T 1/00; G06T 1/0007; G06T 3/80037;
 G06T 3/0043; G06T 3/0056; G06T
 3/0062; G06T 3/0087; G06T 3/20; G06T
 3/40; G06T 3/60; G06T 3/602; G06T
 3/604; G06T 3/606; G06T 3/608; G06T
 5/009; G06T 5/10; G06T 5/20; G06T
 5/40; G06T 5/50; G06T 7/0057; G06T
 7/0061; G06T 9/001; G02B 26/123;
 G02B 26/127; G02B 26/101; G02B
 27/0075; G02B 13/001; G02B 5/201;
 G02B 3/0056; H04N 5/2254; H04N
 5/23212; H04N 9/3185; H04N 9/3129;
 H04N 13/0253; H04N 13/0221; G01B
 11/2513; G01B 11/2518; G01B 11/2522;
 G01B 5/0002; G03F 7/70483; G06K
 9/3275; G06K 2209/19; A61B 10/007;
 A61B 10/0045; A61B 2010/009; B01L
 3/502

See application file for complete search history.

(56) **References Cited**

U.S. PATENT DOCUMENTS

D185,833 S 8/1959 Bruntjen
 D212,317 S 9/1968 Hausam
 D228,331 S 9/1973 Julkenbek
 D234,114 S 1/1975 Bergmann
 D234,901 S 4/1975 Mantelet
 D243,308 S 2/1977 Harms
 D244,824 S 6/1977 Bluestein
 D254,285 S 2/1980 Lee
 D262,822 S 2/1982 Schindler
 D265,041 S 6/1982 Lee
 D266,794 S 11/1982 Puskas
 D274,029 S 5/1984 Daugherty
 D274,400 S 6/1984 Muller
 D275,788 S * 10/1984 Givner D10/81
 D283,778 S 5/1986 Jack
 D287,212 S 12/1986 Daugherty
 D287,690 S 1/1987 Steinkamp
 D288,888 S 3/1987 Baron
 D291,766 S 9/1987 Steinkamp
 D292,468 S 10/1987 Ryan
 4,799,599 A 1/1989 Herrmann
 D300,105 S 3/1989 Klein
 D300,597 S 4/1989 Pandolfi
 D300,677 S 4/1989 Van Hoye
 D300,809 S 4/1989 Schwartz
 D302,292 S 7/1989 Snow
 D315,815 S 3/1991 Miller
 D317,546 S 7/1991 Rakocy
 D324,746 S 3/1992 Accattato
 D325,091 S 3/1992 Holbl
 D334,237 S 3/1993 Collister
 D339,639 S 9/1993 Ohnuma
 D347,479 S 5/1994 Hansen
 D351,150 S 10/1994 Bontly
 D354,051 S 1/1995 Hasegawa
 D354,070 S 1/1995 Chen
 D359,357 S 6/1995 Bigler
 D359,361 S 6/1995 Swift
 D373,830 S 9/1996 LaBarbera
 D376,353 S 12/1996 Neilson
 D378,916 S 4/1997 Kanno
 D381,976 S 8/1997 Sandor
 D384,651 S 10/1997 Sandor
 D387,429 S 12/1997 Murrell
 D388,404 S 12/1997 Kinnunen
 D396,850 S 8/1998 Ito
 D400,673 S 11/1998 Kheiri
 D402,768 S 12/1998 Paoli
 D406,900 S 3/1999 Murrell
 D408,206 S 4/1999 Stafford

D408,806 S 4/1999 Schmidt
 5,968,329 A * 10/1999 Anderson G01N 33/4925
 204/402
 D422,355 S * 4/2000 Schuman D24/111
 D438,983 S 3/2001 Stein
 D444,601 S 7/2001 Minagawa
 6,333,007 B1 * 12/2001 Svensson B01F 11/0266
 422/404
 D457,646 S 5/2002 Hool
 D457,885 S 5/2002 Yanagihara
 D467,349 S 12/2002 Niedbala
 D472,022 S 3/2003 Thau
 6,542,293 B2 4/2003 Yahiro
 D474,280 S 5/2003 Niedbala
 D482,796 S 11/2003 Dyama
 D484,734 S 1/2004 Drobeck
 D485,841 S 1/2004 Fratianni
 D493,232 S * 7/2004 Wohlstadter D24/216
 D498,111 S 11/2004 Lassota
 D511,869 S 11/2005 Park
 D533,555 S 12/2006 Odhe
 D534,280 S 12/2006 Gomm
 D549,827 S 8/2007 Maeno
 D554,551 S 11/2007 Ouchi
 D564,655 S 3/2008 Koizumi
 7,438,706 B2 10/2008 Koizumi
 D581,106 S 11/2008 Prat-Pfister
 D600,062 S 9/2009 Lavy
 D602,729 S 10/2009 Dahlstrom
 D604,087 S 11/2009 Lavy
 D604,367 S 11/2009 Thawley
 7,722,584 B2 5/2010 Tanaka
 D617,666 S 6/2010 Stowers
 D628,007 S 11/2010 Di Bitonto
 8,072,665 B2 12/2011 Lee
 8,089,053 B1 1/2012 Finch
 D655,824 S 3/2012 Tsutsumida
 D657,067 S 4/2012 Shibata
 D657,068 S 4/2012 Shibata
 D670,402 S 11/2012 Shibata
 D671,227 S 11/2012 Parker
 8,318,107 B2 * 11/2012 Rieder A61B 10/0096
 422/404
 D685,600 S 7/2013 White
 8,490,540 B2 7/2013 Webster
 D688,804 S 8/2013 Kim
 8,506,901 B2 * 8/2013 Chen A61B 10/007
 422/400
 D691,732 S 10/2013 Shibata
 D691,734 S 10/2013 Steinman
 D693,480 S 11/2013 Spiess
 D699,368 S 2/2014 Quilter
 D700,607 S 3/2014 Cederstrom
 D701,320 S 3/2014 Quilter
 D702,237 S 4/2014 Oberpriller
 D711,011 S 8/2014 Noda
 D711,883 S 8/2014 Brunner
 D714,940 S 10/2014 Kim
 D715,958 S 10/2014 Bossart
 D717,465 S 11/2014 Muraoka
 D719,668 S * 12/2014 Cien D24/216
 D721,184 S * 1/2015 Chamberlin D24/216
 D727,327 S * 4/2015 Quilter D14/420
 D752,240 S * 3/2016 Chan D24/216
 9,350,956 B2 * 5/2016 Quilter G01N 35/00871
 D782,691 S * 3/2017 Funakoshi D24/216
 2002/0081233 A1 * 6/2002 Lappe B01L 3/502
 422/82.05
 2003/0179445 A1 9/2003 Maenle
 2005/0252973 A1 11/2005 Itoh
 2006/0120752 A1 6/2006 McVicker
 2008/0070318 A1 3/2008 Yamamoto
 2009/0086314 A1 4/2009 Namba
 2009/0269841 A1 10/2009 Wojciechowski
 2009/0325299 A1 12/2009 Hamada
 2010/0210019 A1 8/2010 Kurono
 2010/0226555 A1 9/2010 Sandstrom
 2011/0194977 A1 * 8/2011 Miyamura B01L 3/502715
 422/68.1

(56)

References Cited

U.S. PATENT DOCUMENTS

2011/0223063 A1* 9/2011 Katsumi G01N 35/1002
422/68.1
2012/0148031 A1 6/2012 Eaves
2012/0157160 A1 6/2012 Ozcan
2012/0171078 A1 7/2012 Kaneko
2012/0262540 A1 10/2012 Rondinelli
2013/0057927 A1 3/2013 Durant
2013/0121876 A1* 5/2013 Horan B01F 3/04099
422/68.1
2014/0119994 A1 5/2014 Ariyoshi
2014/0233705 A1 8/2014 Kaku
2015/0031412 A1* 1/2015 Quilter G06F 19/366
455/556.1
2017/0091379 A1* 3/2017 Vickers G06F 19/18
2017/0091380 A1* 3/2017 Vickers G06F 19/18
2017/0184585 A1* 6/2017 Markovsky G01N 33/558
2017/0191941 A1* 7/2017 Hosotani G01N 21/77
2017/0239656 A1* 8/2017 Linder B01L 3/502715
2017/0241999 A1* 8/2017 Juez G01N 33/54366

* cited by examiner

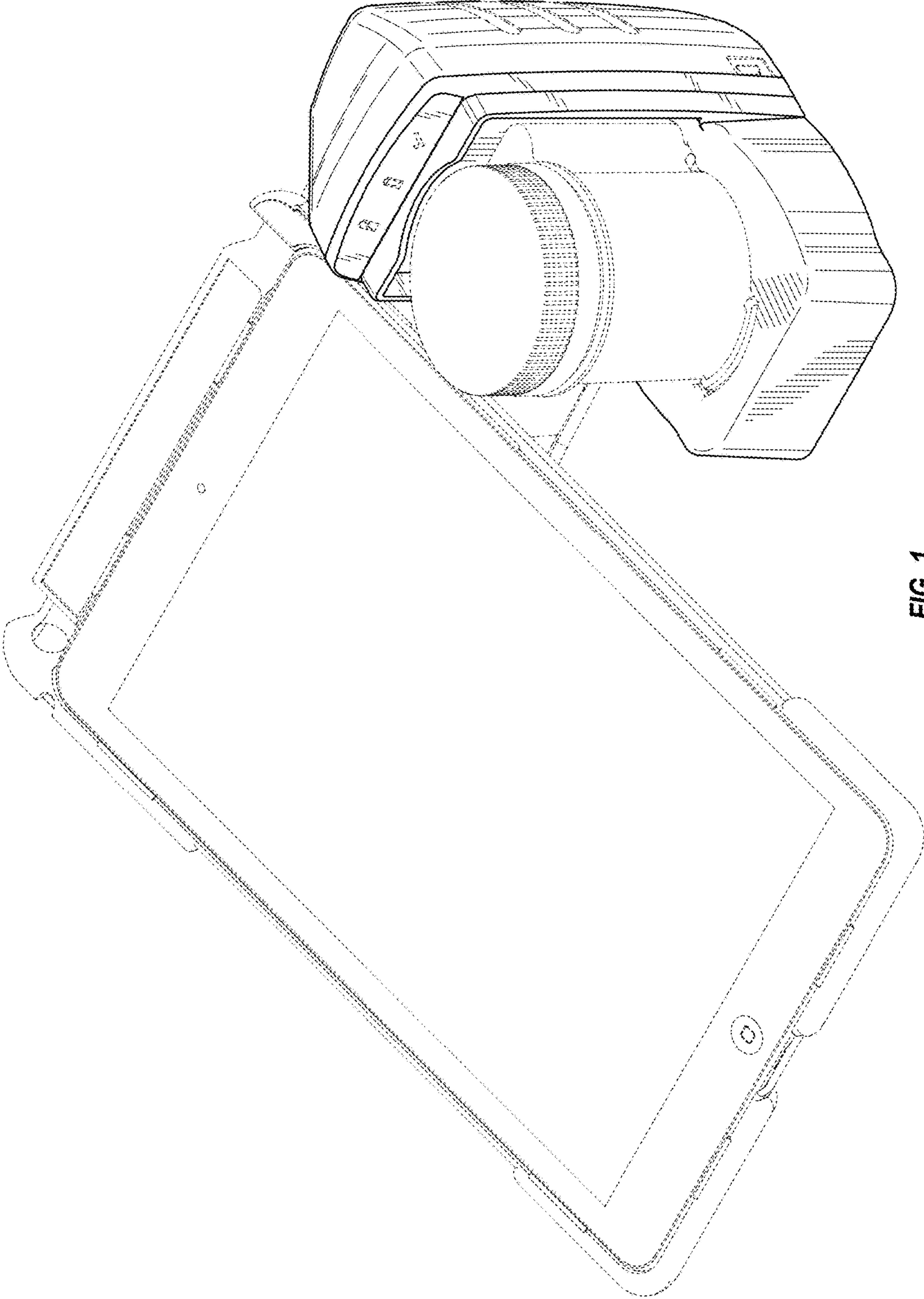


FIG. 1

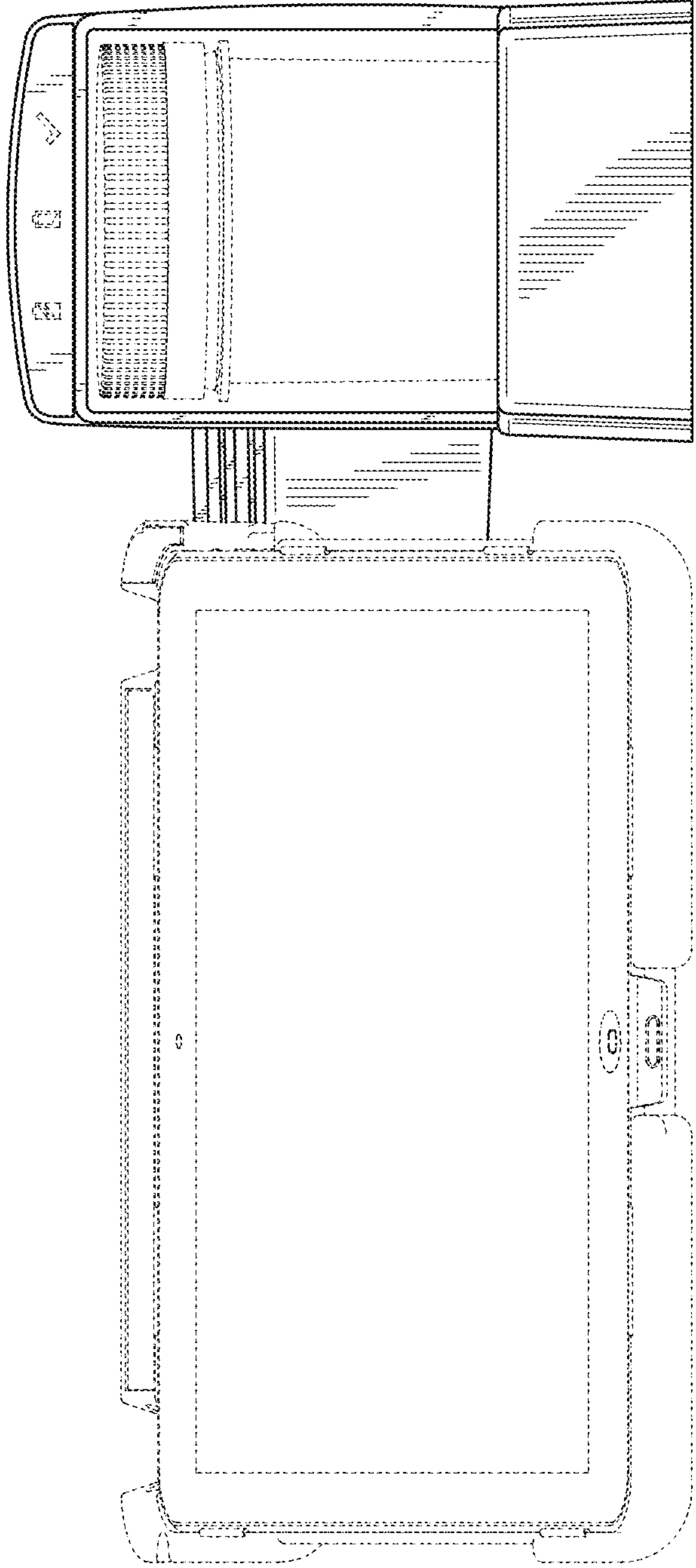


FIG. 2

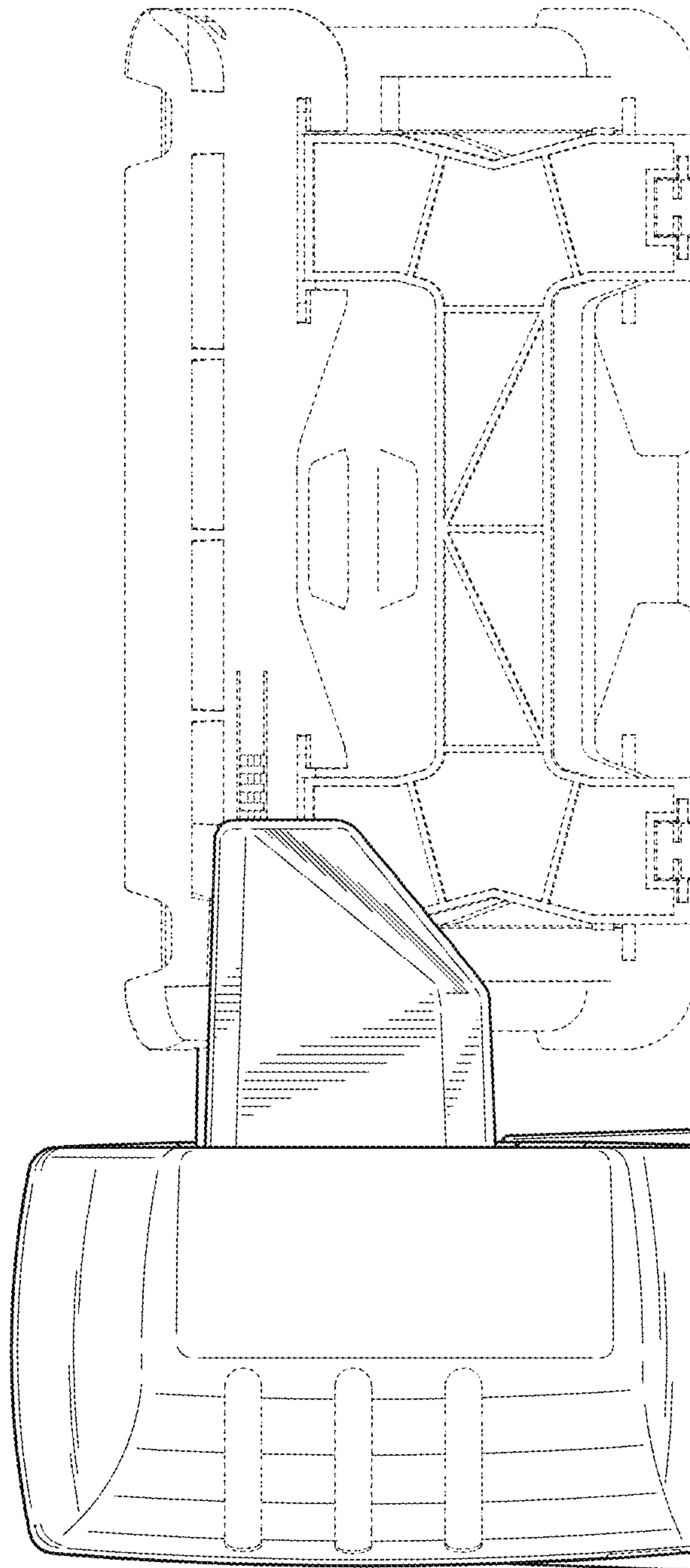


FIG. 3

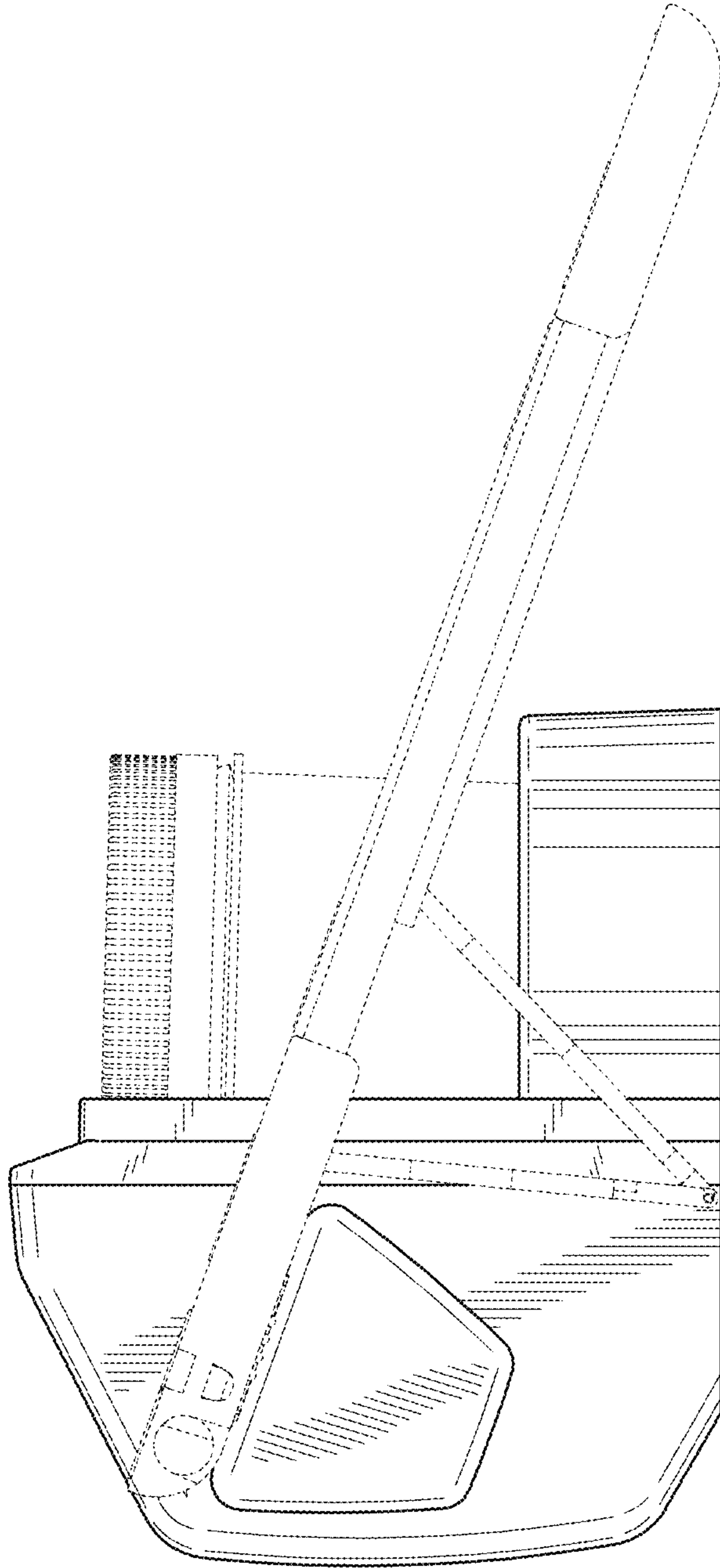


FIG. 4

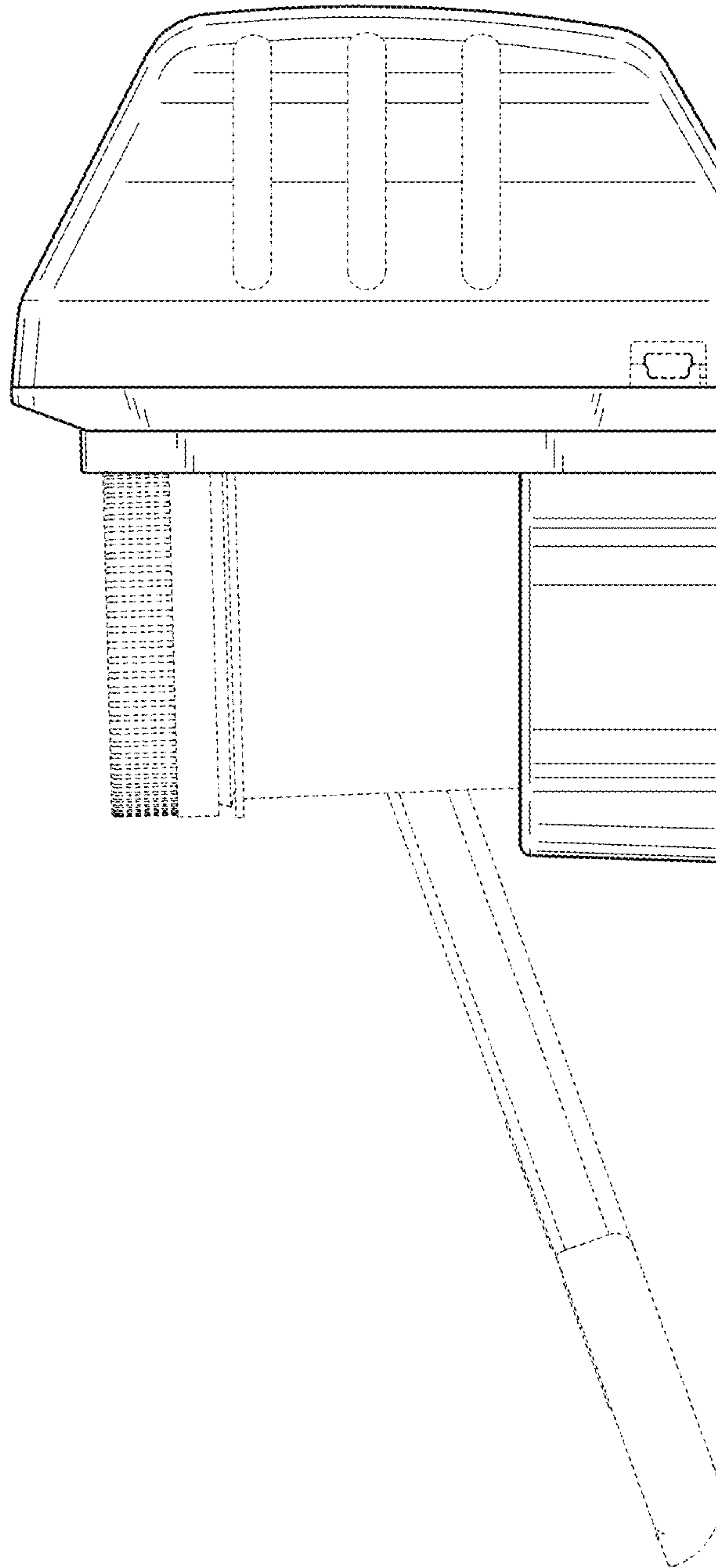


FIG. 5

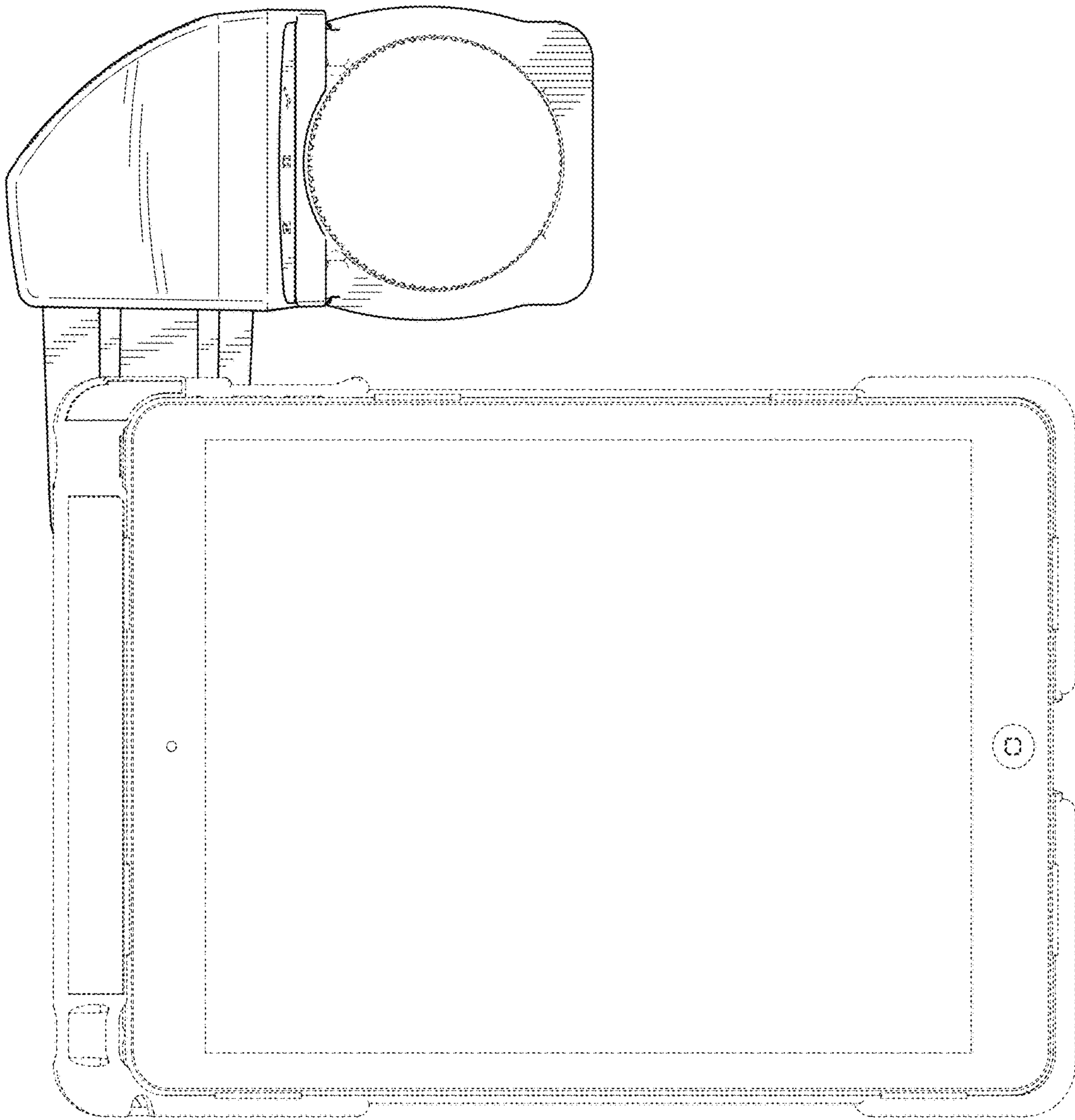


FIG. 6

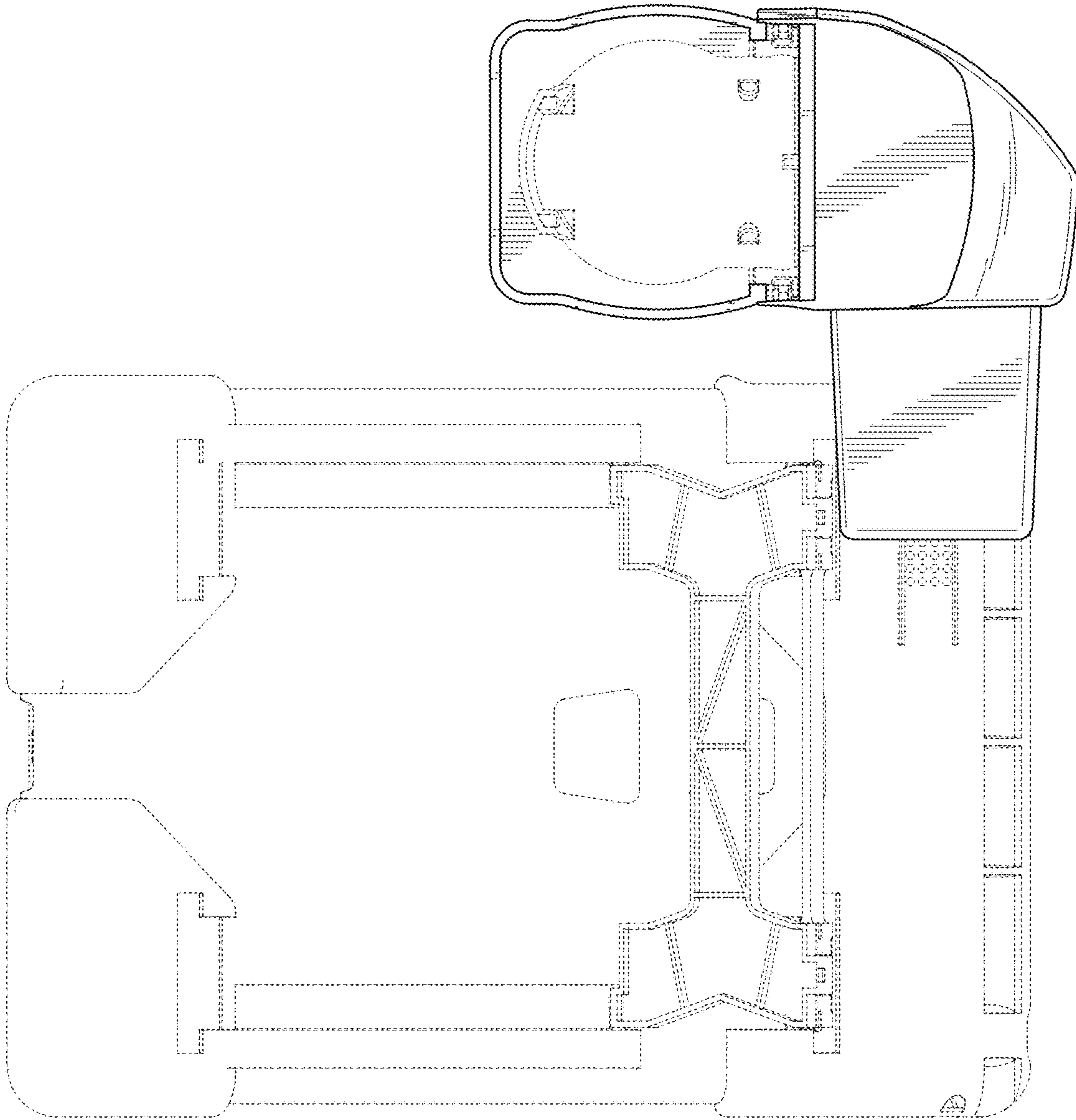


FIG. 7