



US00D810082S

(12) **United States Design Patent**
Tzeng et al.

(10) **Patent No.:** **US D810,082 S**
(45) **Date of Patent:** **** Feb. 13, 2018**

(54) **KEYBOARD**

(71) Applicant: **Kingston Digital, Inc.**, Fountain Valley, CA (US)

(72) Inventors: **Guan Hua Tzeng**, Hsinchu (TW);
Chung-Chuan Chou, Hsinchu (TW);
Yu-kuo Huang, Hsinchu (TW)

(73) Assignee: **Kingston Digital, Inc.**, Fountain Valley, CA (US)

(**) Term: **15 Years**

(21) Appl. No.: **29/590,913**

(22) Filed: **Jan. 13, 2017**

(51) **LOC (11) Cl.** **14-02**

(52) **U.S. Cl.**
USPC **D14/391**

(58) **Field of Classification Search**
USPC D14/315-327, 391-399, 455, 456;
D18/1, 2, 7, 11; 235/145 A, 145 R;
341/22, 23; 345/104, 156, 168, 169, 173;
361/679.08, 679.09, 679.11, 679.26,
361/679.27
CPC G06F 1/16; G06F 1/1616; G06F 1/1626;
G06F 1/1632; G06F 1/1613; G06F
1/1601; G06F 1/1618; G06F 1/162; G06F
3/0221; G06F 3/0216; H01R 35/02;
H03M 11/00; G09B 13/04; H03K 17/94;
G09G 5/00; F16M 11/10; H05K 5/00;
H04M 1/0237; H01H 13/14; H01H 13/84;
B41J 5/00; B41J 5/12; B41J 5/10

See application file for complete search history.

(56) **References Cited**

U.S. PATENT DOCUMENTS

5,793,359 A * 8/1998 Ushikubo G06F 3/0213
345/169
D517,069 S * 3/2006 Chou D14/392
D583,818 S * 12/2008 Kuchler D14/391
D599,351 S * 9/2009 Manalo D14/393
D606,073 S * 12/2009 O'Neil D14/391
D629,403 S * 12/2010 Raken D14/391

* cited by examiner

Primary Examiner — Freda S Nunn

(74) *Attorney, Agent, or Firm* — Skaar Ulbrich Macari, P.A.

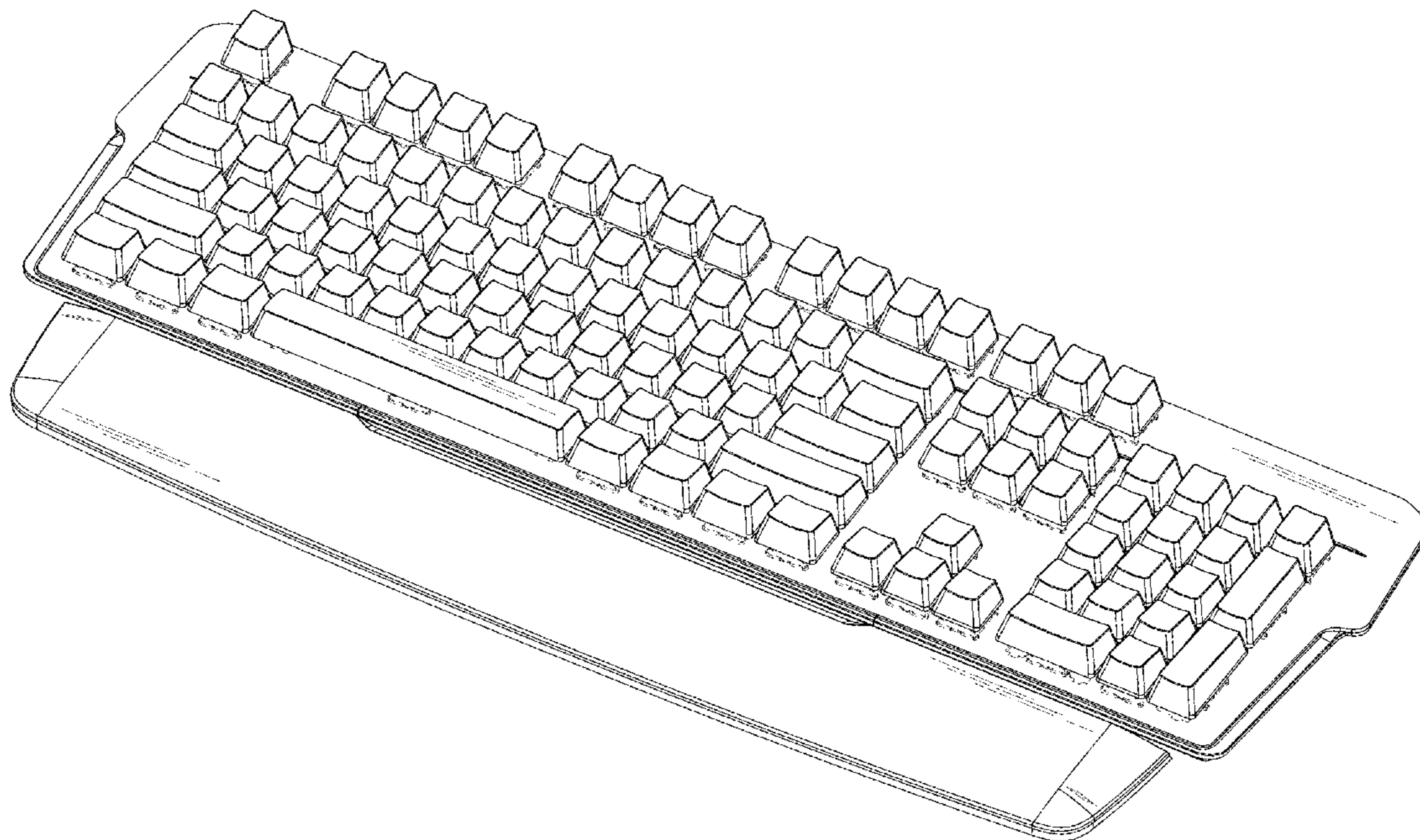
(57) **CLAIM**

We claim an ornamental design for a keyboard, as shown and described.

DESCRIPTION

FIG. 1 is a perspective view of a keyboard showing the claimed design;
FIG. 2 is another perspective view of FIG. 1;
FIG. 3 is a front elevational view of FIG. 1;
FIG. 4 is a rear elevational view of FIG. 1;
FIG. 5 is a left side elevational view of FIG. 1;
FIG. 6 is a right side elevational view of FIG. 1;
FIG. 7 is a top plan view of FIG. 1; and,
FIG. 8 is a bottom plan view of FIG. 1.
The broken lines are directed to environment and are provided for illustrative purpose only; the broken lines form no part of the claimed design.

1 Claim, 6 Drawing Sheets



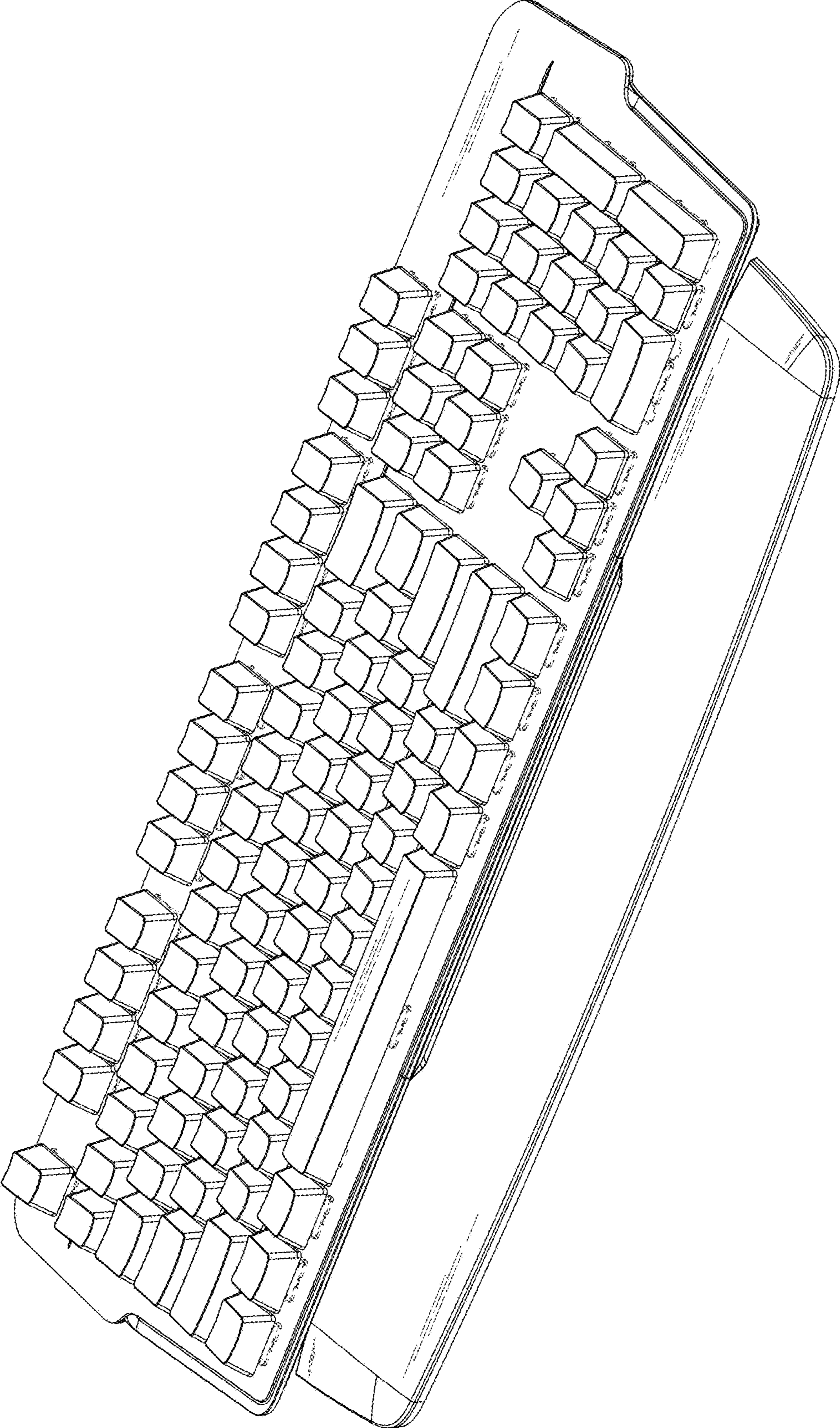


FIG. 1

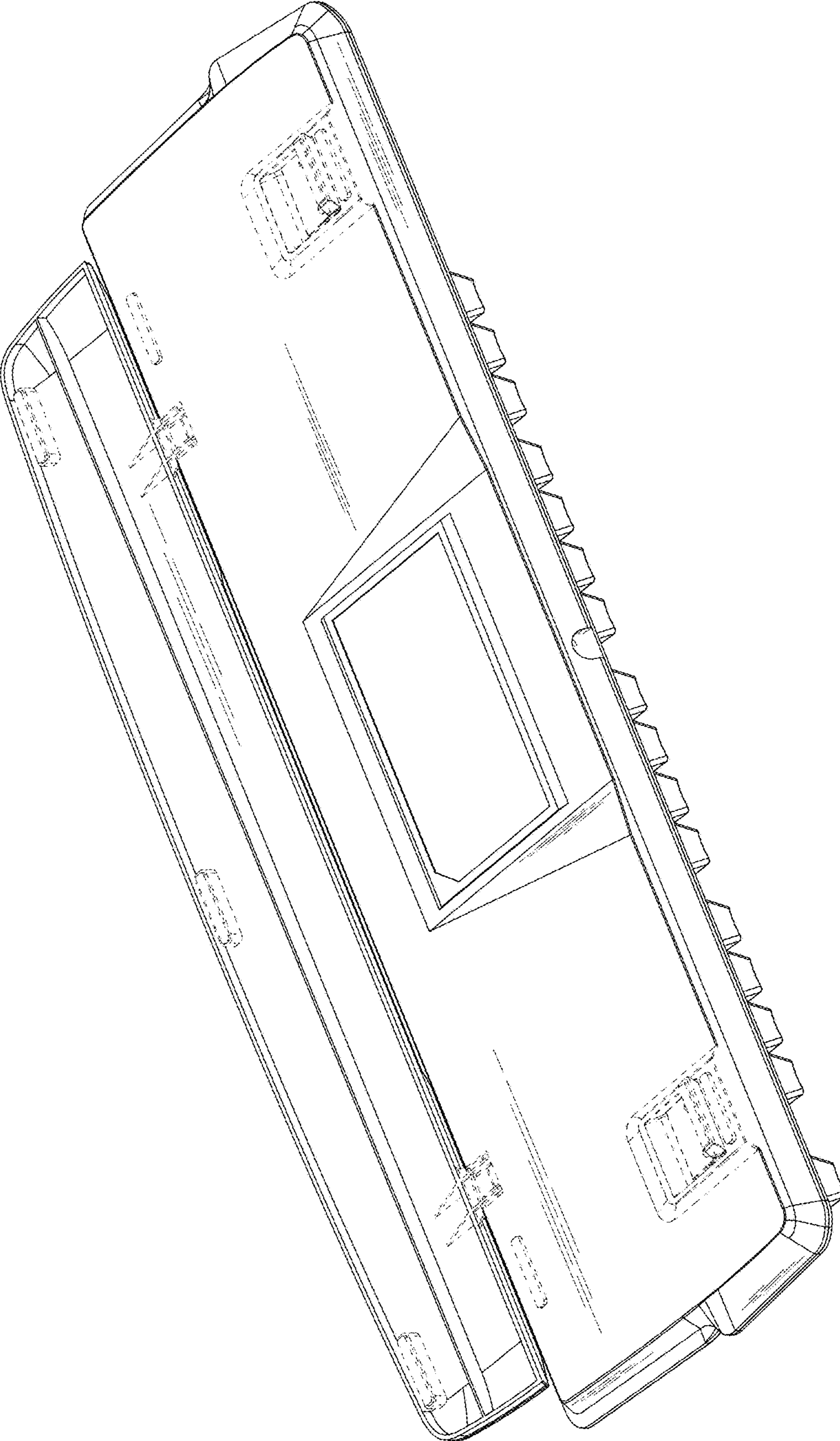


FIG. 2

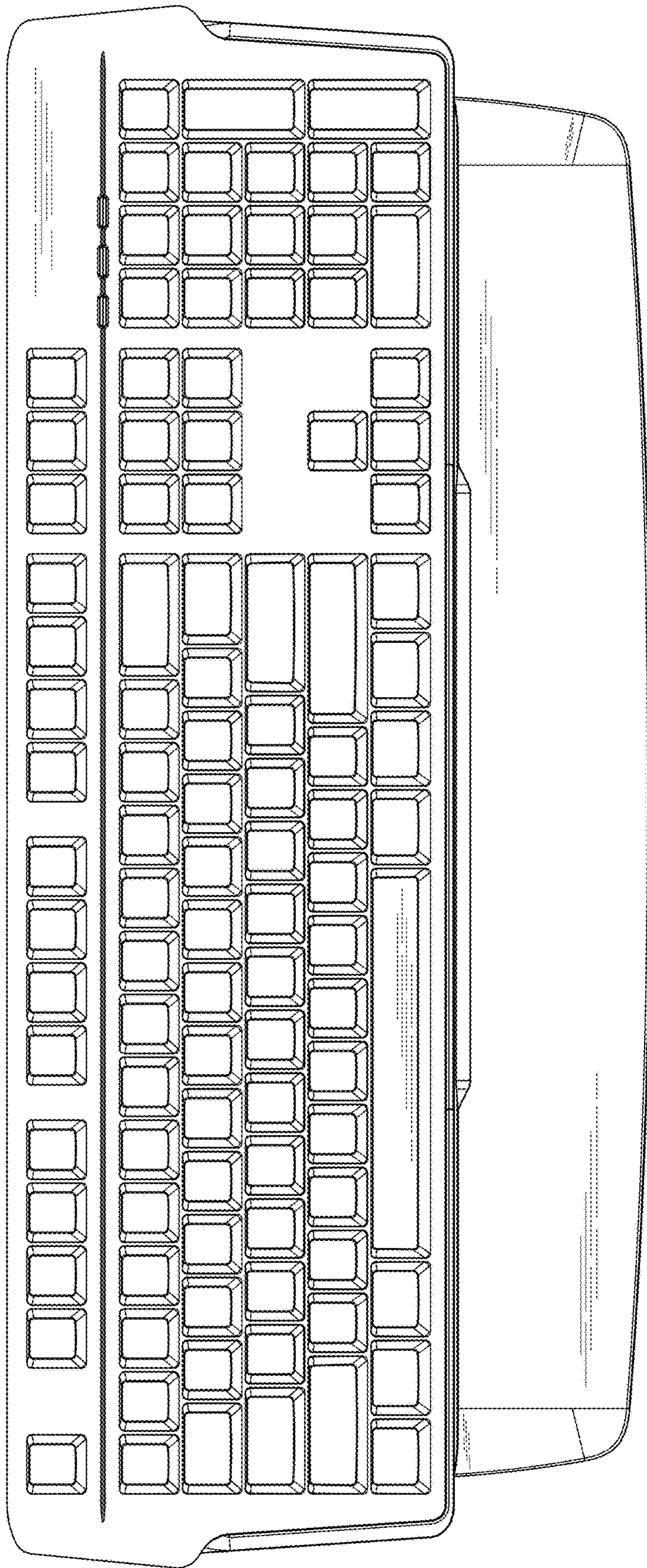


FIG. 3

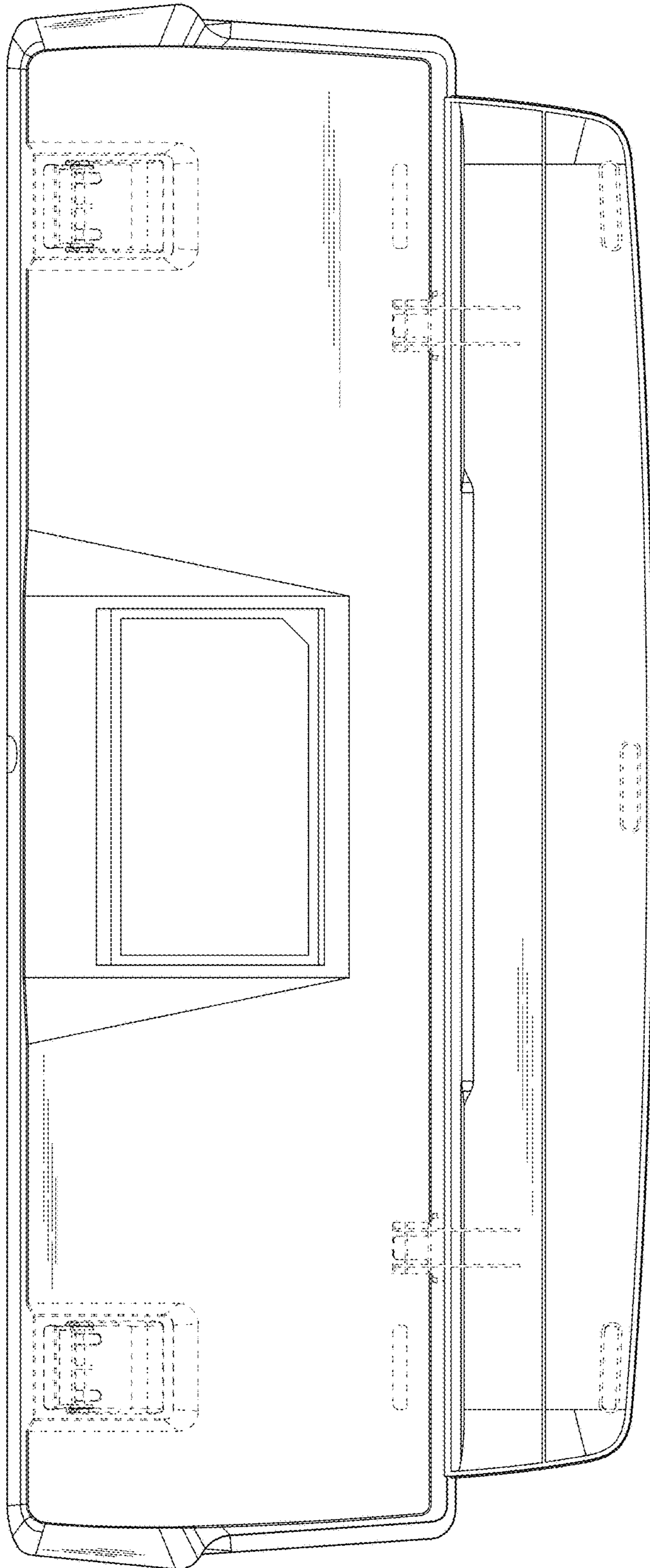


FIG. 4

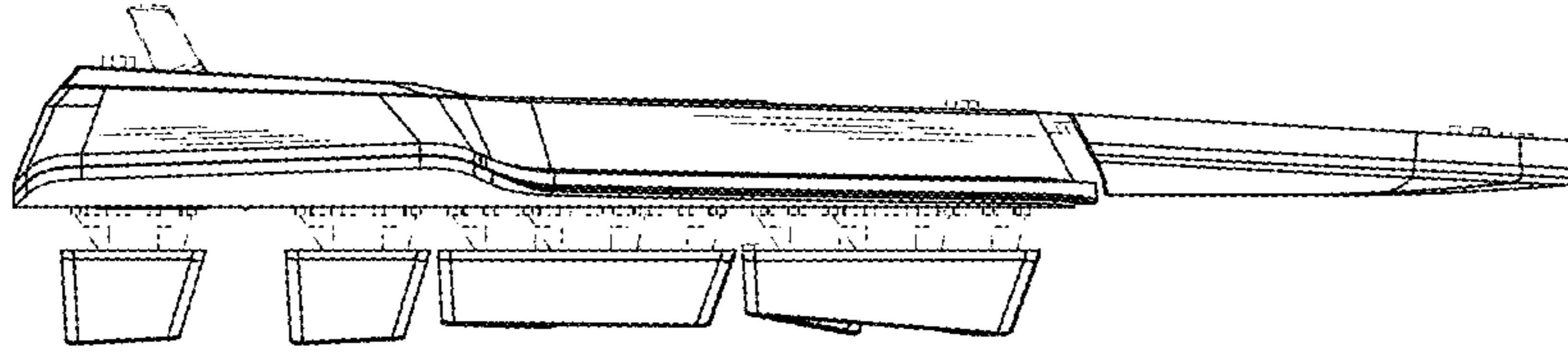


FIG. 6

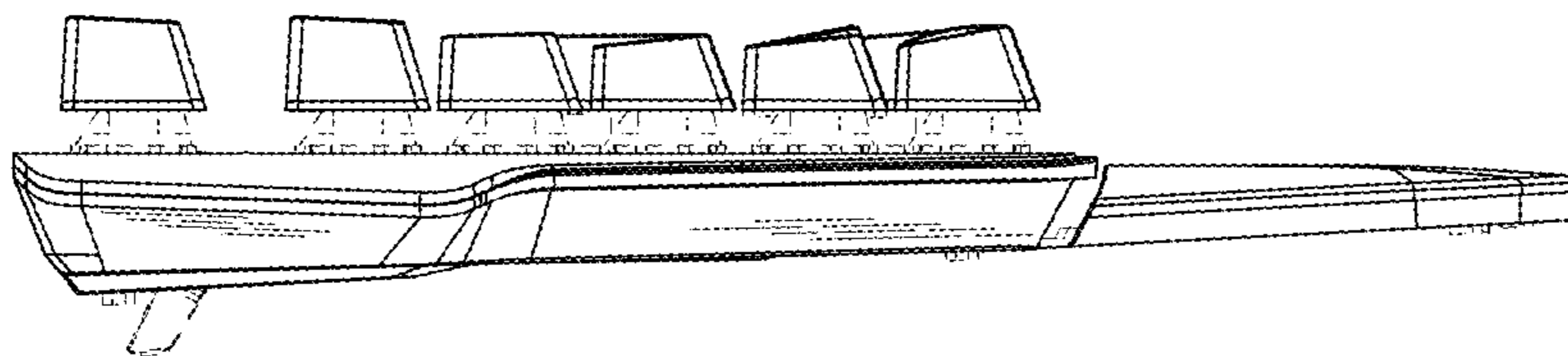


FIG. 5

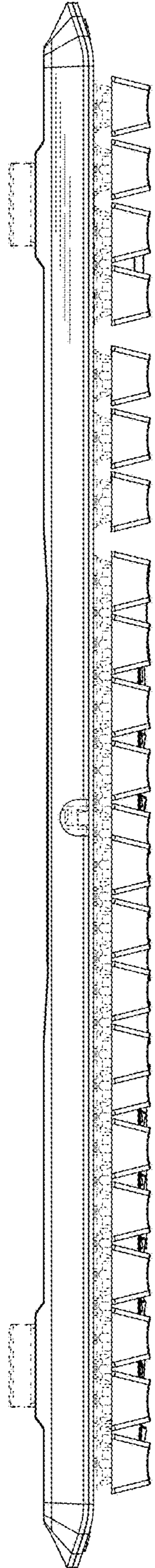


FIG. 7

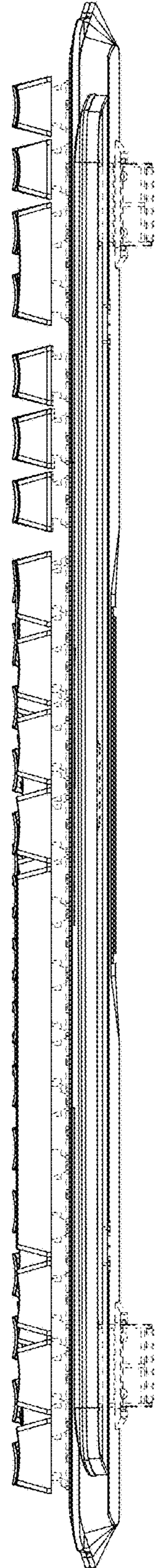


FIG. 8