



US00D810080S

(12) **United States Design Patent** (10) **Patent No.:** **US D810,080 S**
Popp et al. (45) **Date of Patent:** **** Feb. 13, 2018**

(54) **MONITOR**

11/041; F16M 11/126; F16M 11/04;
F16M 13/02; F16M 11/24; A47F 5/00

(71) Applicant: **Karl Storz GmbH & Co. KG**,
Tuttlingen (DE)

See application file for complete search history.

(72) Inventors: **Toralf Popp**, Schaffhausen (CH);
Felipe Amaral, Buelach (CH); **Fabian
Zimmerli**, Zurich (CH); **Ulrich Merz**,
Tuttlingen (DE); **Eugenia Fuhr**,
Tuttlingen (DE)

(56) **References Cited**

U.S. PATENT DOCUMENTS

D409,990	S	*	5/1999	Renk	D14/126
D619,572	S	*	7/2010	Huang	D14/242
D755,788	S	*	5/2016	Mitchell	D14/371
2007/0076358	A1	*	4/2007	Hsu	F16M 11/10 361/679.22

(73) Assignee: **KARL STORZ GmbH & Co. KG**,
Tuttlingen (DE)

* cited by examiner

(**) Term: **15 Years**

Primary Examiner — Freda S Nunn

(21) Appl. No.: **29/584,303**

(74) *Attorney, Agent, or Firm* — Muncy, Geissler, Olds &
Lowe, P.C.

(22) Filed: **Nov. 14, 2016**

(57) **CLAIM**

(30) **Foreign Application Priority Data**

The ornamental design for a monitor, as shown and
described.

May 13, 2016 (EM) 003126770-0001

DESCRIPTION

(51) **LOC (11) Cl.** **14-02**

FIG. 1 is a front perspective view of a monitor according to
the present invention.

(52) **U.S. Cl.**

USPC **D14/371**

FIG. 2 is a front view of the monitor of FIG. 1.

(58) **Field of Classification Search**

USPC D14/371-375, 125-129, 336, 337, 341,
D14/239, 401; 341/12; 345/104, 156,
345/168, 173; 348/180, 184, 325, 739;
349/1, 2, 11, 62; 361/679.05-679.07,
361/679.21; D6/300, 308; D21/513-515

FIG. 3 is a rear view of the monitor of FIG. 1.

FIG. 4 is a left side view of the monitor of FIG. 1.

FIG. 5 is a right side view of the monitor of FIG. 1.

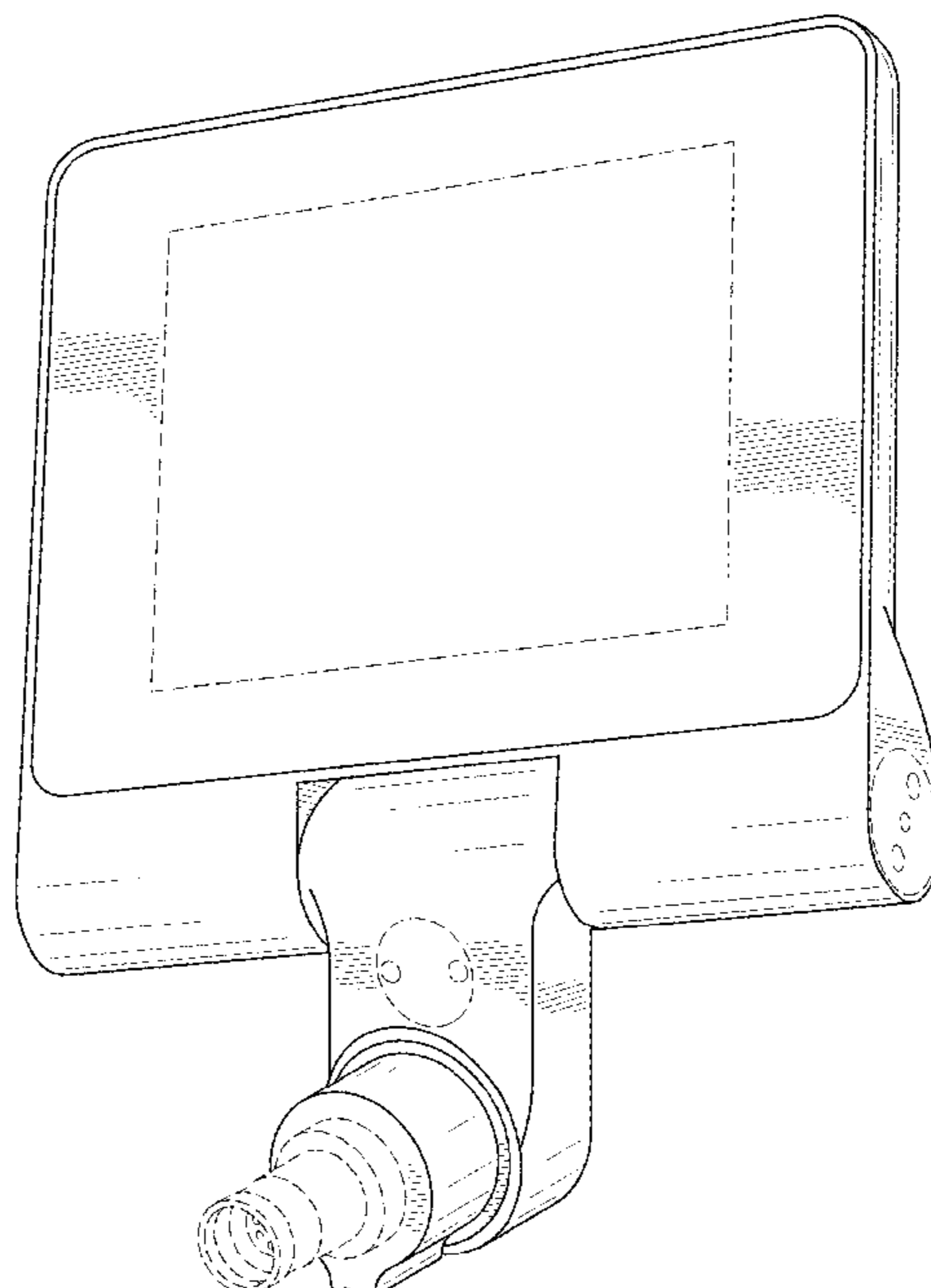
FIG. 6 is a top view of the monitor of FIG. 1; and,

FIG. 7 is a bottom view of the monitor of FIG. 1.

CPC G06F 1/16; G06F 1/1601; G06F 3/037;
G06F 1/162; G06F 1/1613; G06F
1/133308; F16M 11/02; F16M 11/10;
F16M 11/00; F16M 11/06; F16M 11/18;
F16M 11/045; F16M 11/105; F16M

The dashed lines illustrate environment that does not form a
part of the present invention, and no claim is made to the
material illustrated with dashed lines.

1 Claim, 7 Drawing Sheets



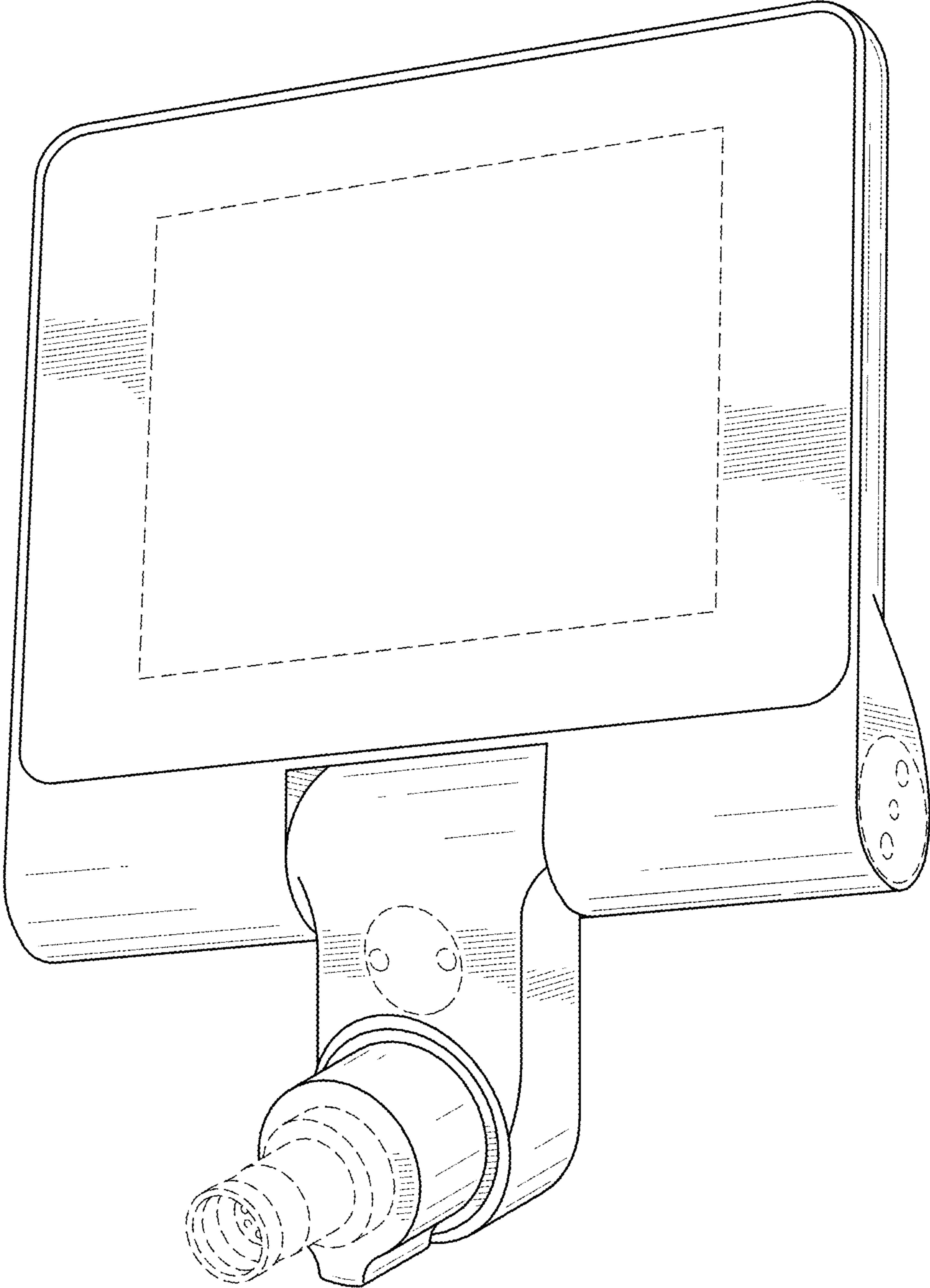


FIG.1

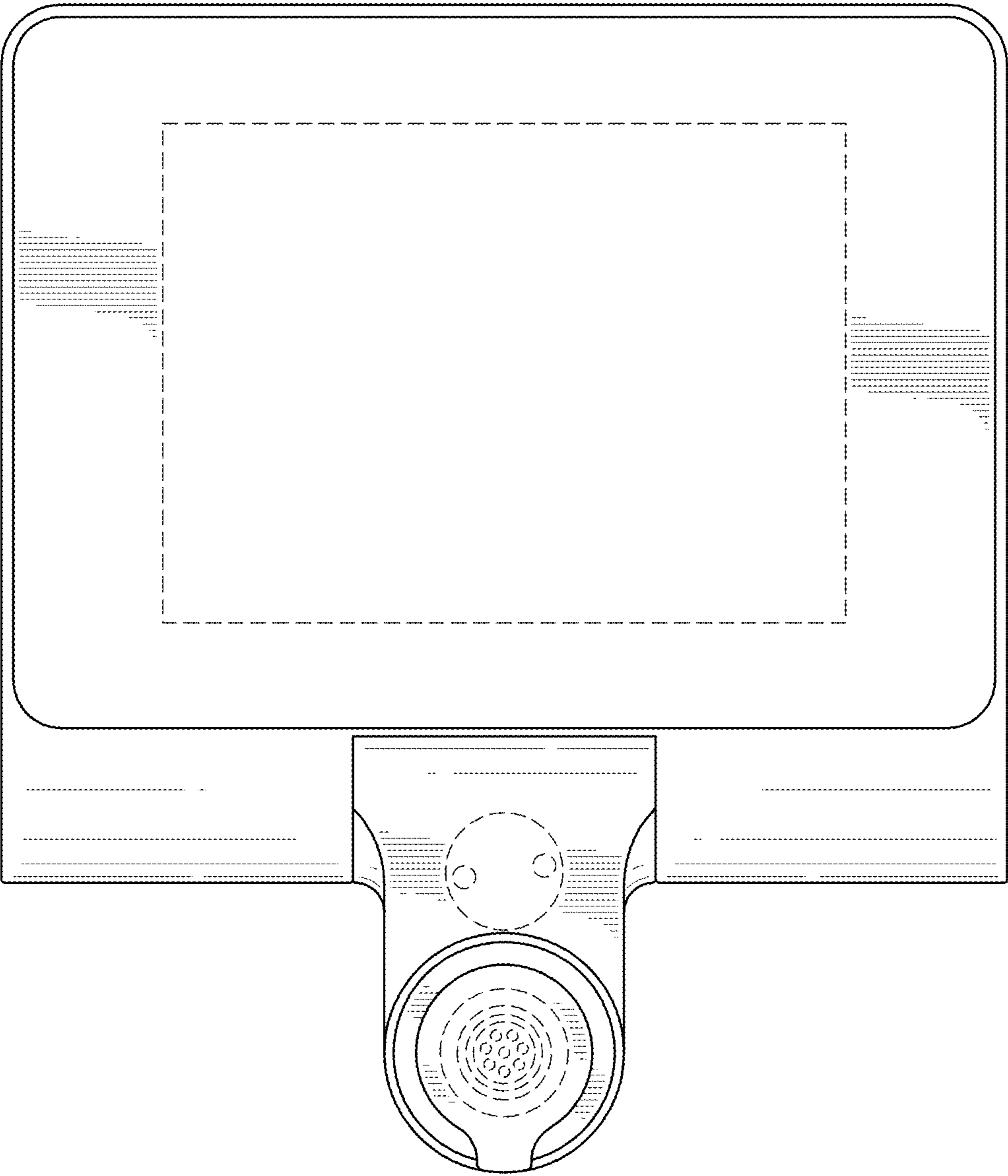


FIG.2

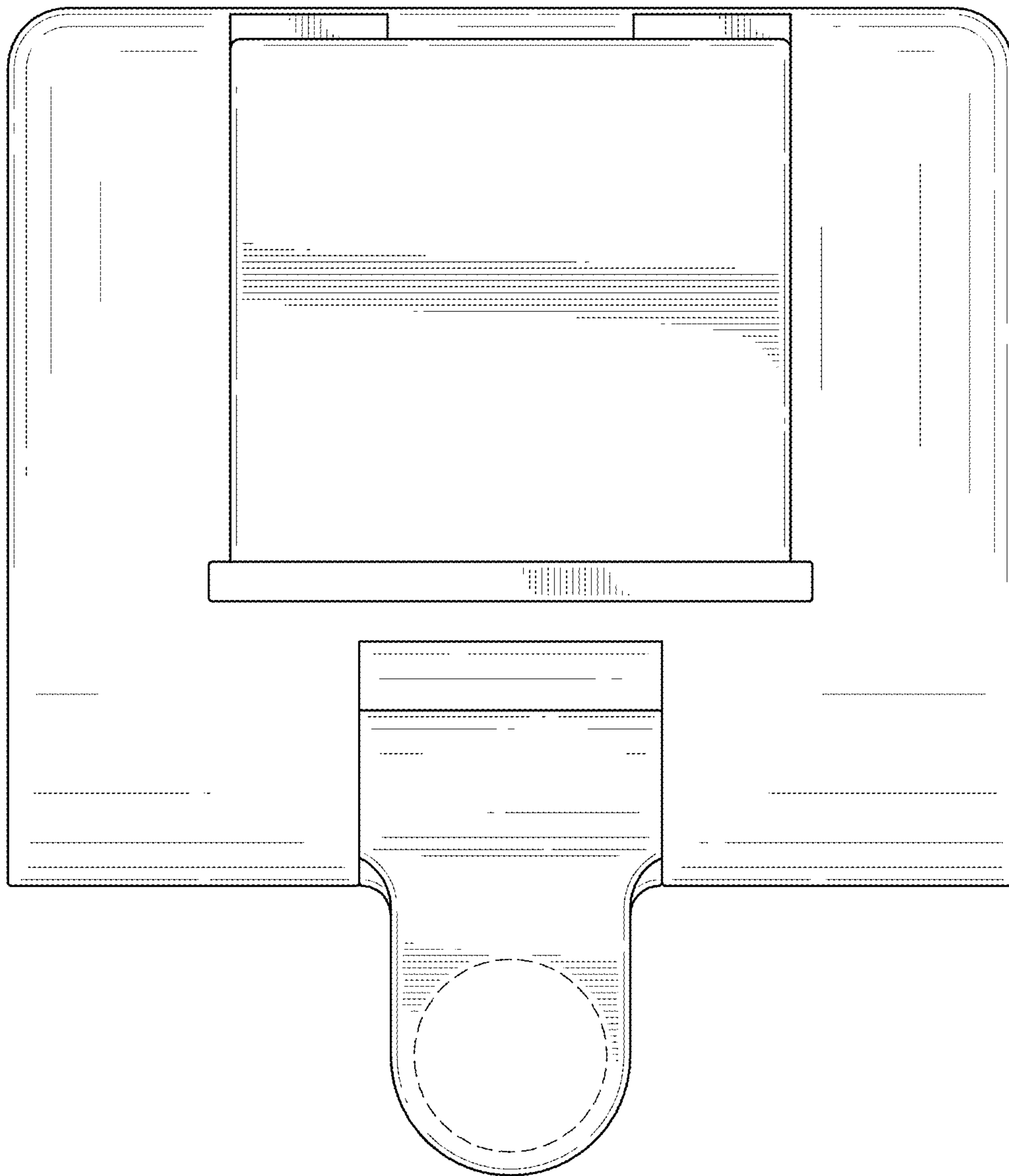


FIG.3

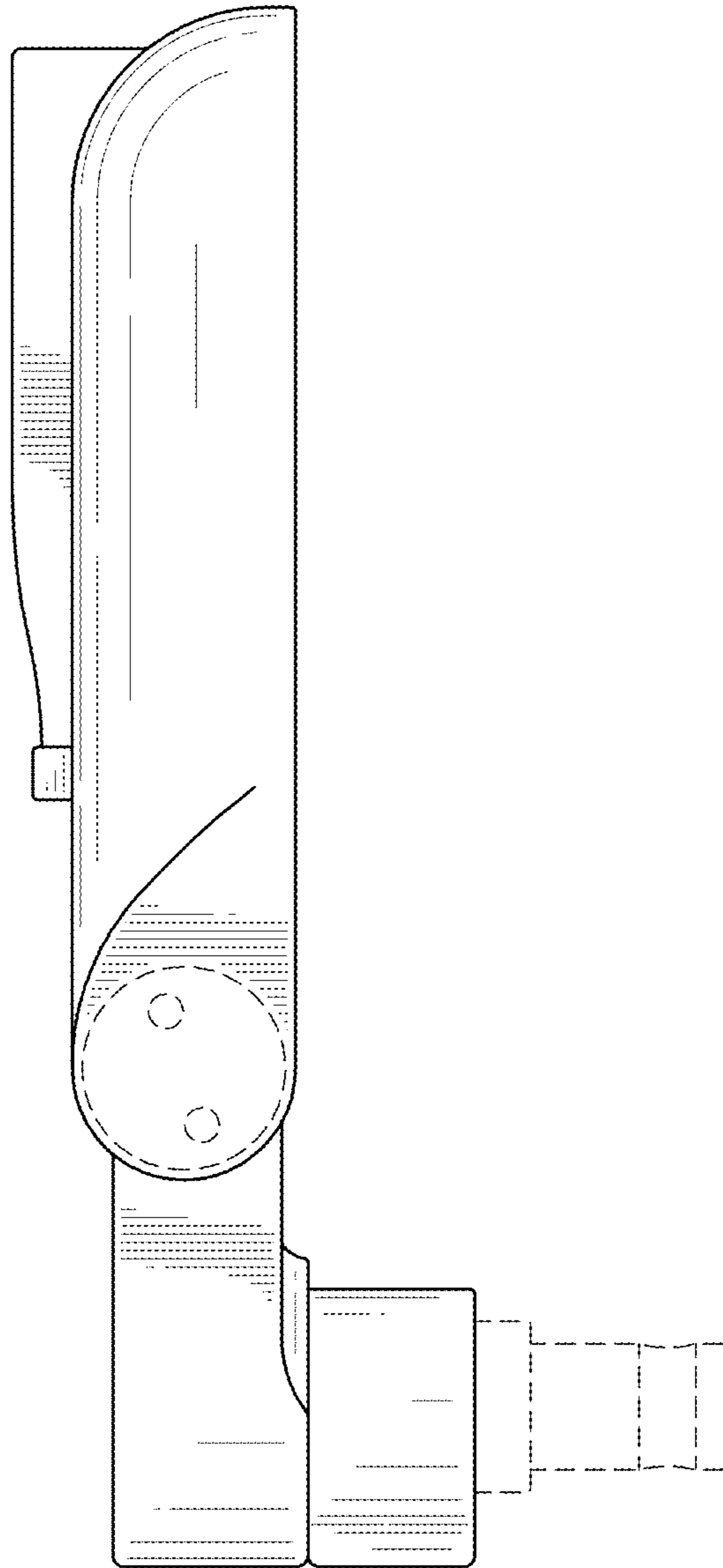


FIG.4

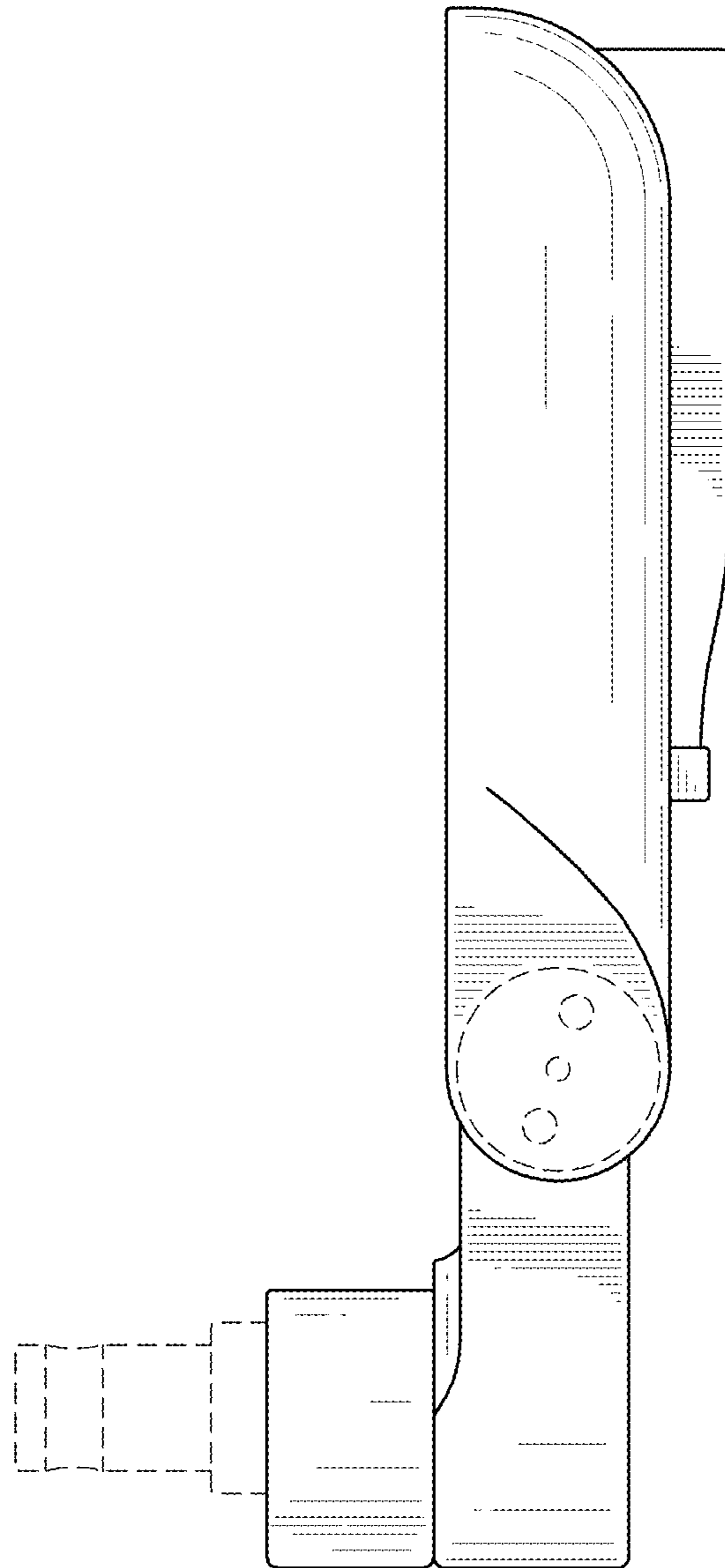


FIG.5

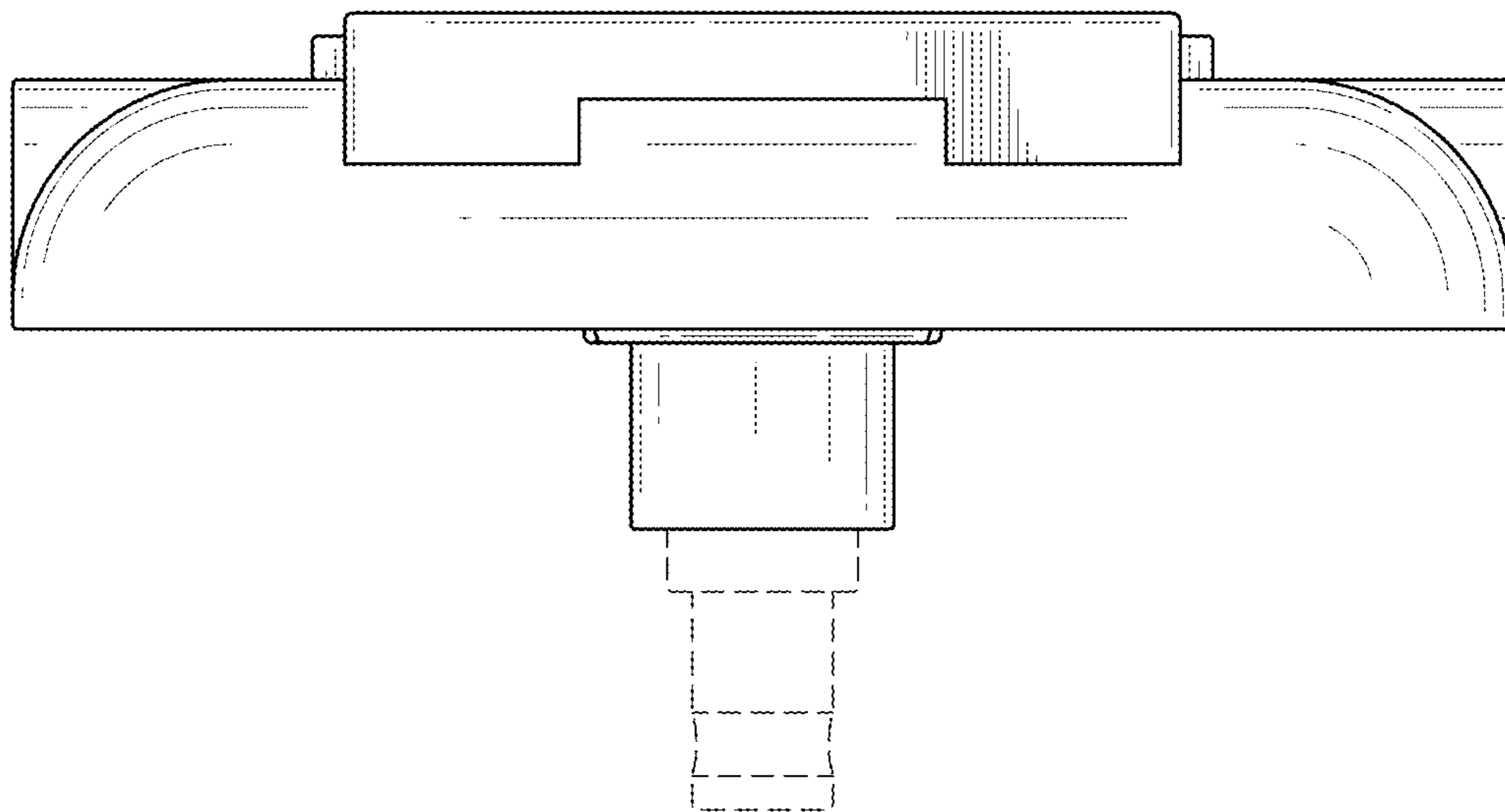


FIG.6

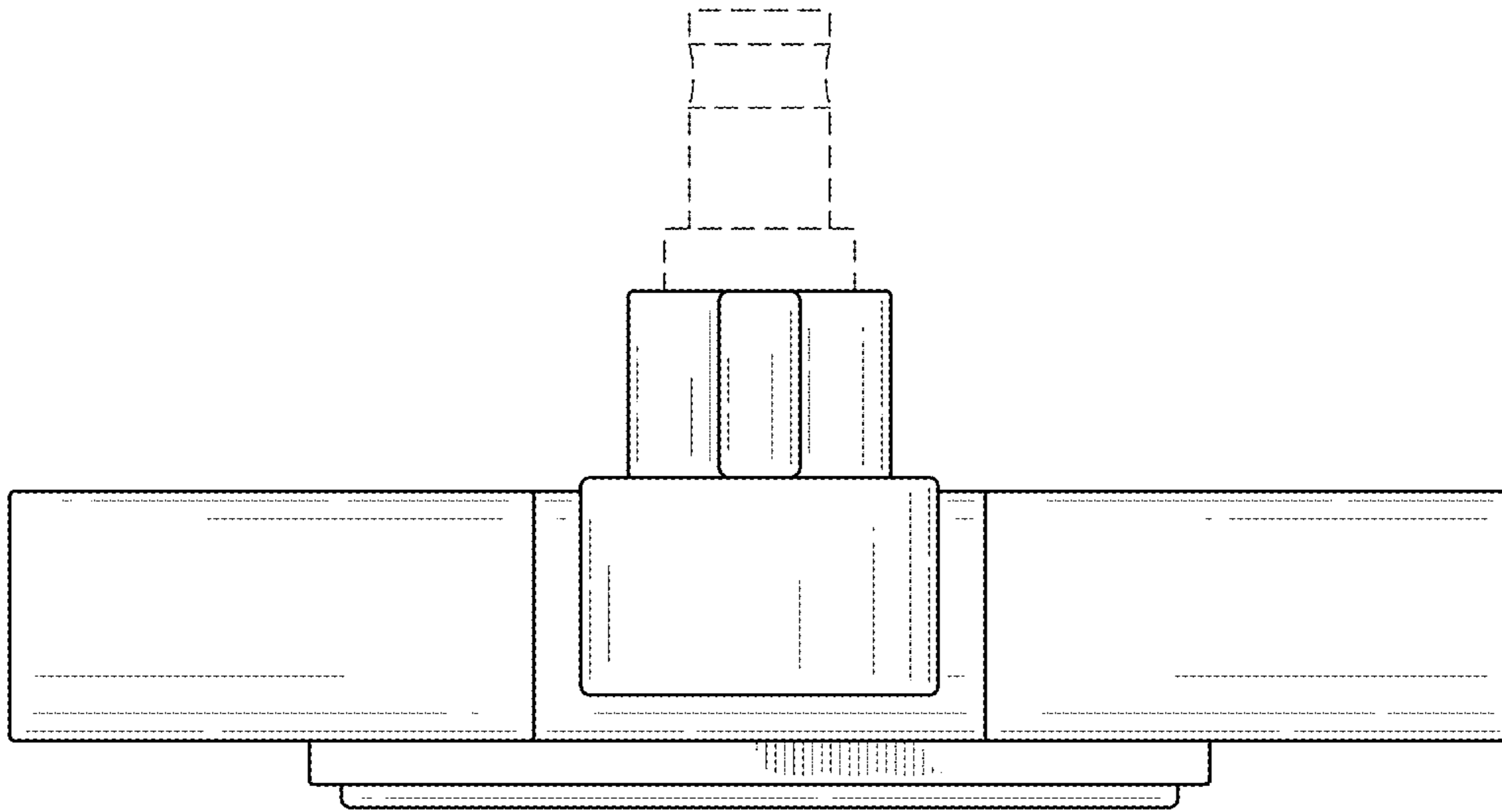


FIG.7