



US00D810079S

(12) **United States Design Patent**  
**Boesiger et al.**

(10) **Patent No.:** **US D810,079 S**  
(45) **Date of Patent:** **\*\* Feb. 13, 2018**

(54) **DISPLAY MODULE**

(71) Applicant: **DLOGIC GmbH**, Baar (CH)

(72) Inventors: **Urs Boesiger**, Baar (CH); **Wei Feng Qian**, Baar (CH)

(73) Assignee: **DLOGIC GMBH**, Baar (CH)

(\*\*) Term: **15 Years**

(21) Appl. No.: **29/581,917**

(22) Filed: **Oct. 24, 2016**

(51) **LOC (11) Cl.** ..... **14-02**

(52) **U.S. Cl.**  
USPC ..... **D14/371**

(58) **Field of Classification Search**  
USPC ..... D14/371-375, 125-129, 336, 337, 341, D14/239; 341/12; 345/104, 156, 168, 345/173; 348/180, 184, 325, 739; 349/1, 349/2, 11, 62; 361/679.05-679.07, 361/679.21; D6/300, 308  
CPC ..... G06F 1/16; G06F 1/1601; G06F 3/037; G06F 1/162; G06F 1/1613; G06F 1/133308; F16M 11/02; F16M 11/10; F16M 11/00; F16M 11/06; F16M 11/18; F16M 11/045; F16M 11/105; F16M 11/041; F16M 11/126; F16M 11/04; F16M 13/02; F16M 11/24; A47F 5/00; G09F 15/0025; G09F 15/0062; G09F 15/0068  
See application file for complete search history.

D491,560 S \* 6/2004 Hsu Li ..... D14/371  
D494,174 S \* 8/2004 Hsu Li ..... D14/374  
7,145,769 B2 \* 12/2006 Chen ..... G06F 1/1626 349/58  
D582,917 S \* 12/2008 Wada ..... D14/371  
D596,175 S \* 7/2009 Viertola ..... D14/314  
D636,391 S \* 4/2011 Shen ..... D14/341  
D647,903 S \* 11/2011 McClelland ..... D14/371  
D668,653 S \* 10/2012 Chiu ..... D14/371  
D762,642 S \* 8/2016 Johnson ..... D14/341  
2006/0238529 A1 \* 10/2006 Lavelle ..... B60K 35/00 345/204

\* cited by examiner

*Primary Examiner* — Freda S Nunn

(74) *Attorney, Agent, or Firm* — Muncy, Geissler, Olds & Lowe, P.C.

(57) **CLAIM**

The ornamental design for a display module, as shown and described.

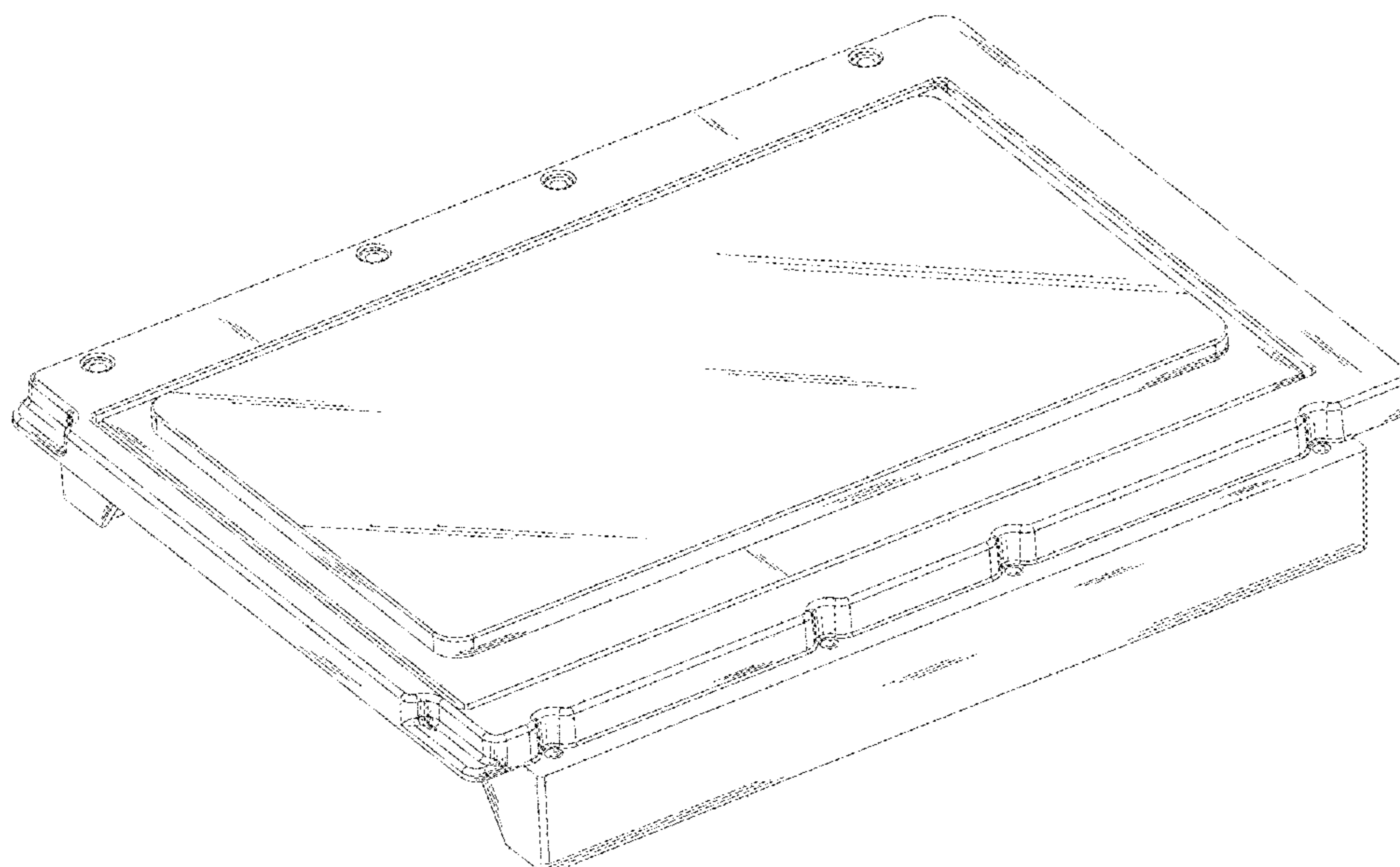
**DESCRIPTION**

FIG. 1 is a top perspective view of a display module showing the new design;  
FIG. 2 is a bottom perspective view thereof;  
FIG. 3 is a front view thereof;  
FIG. 4 is a rear view thereof;  
FIG. 5 is a left side view thereof;  
FIG. 6 is a right side view thereof;  
FIG. 7 is a top view thereof; and,  
FIG. 8 is a bottom view thereof.

**1 Claim, 8 Drawing Sheets**

(56) **References Cited**  
U.S. PATENT DOCUMENTS

D341,823 S \* 11/1993 Sakai ..... D14/341  
D358,582 S \* 5/1995 Funaki ..... D14/336



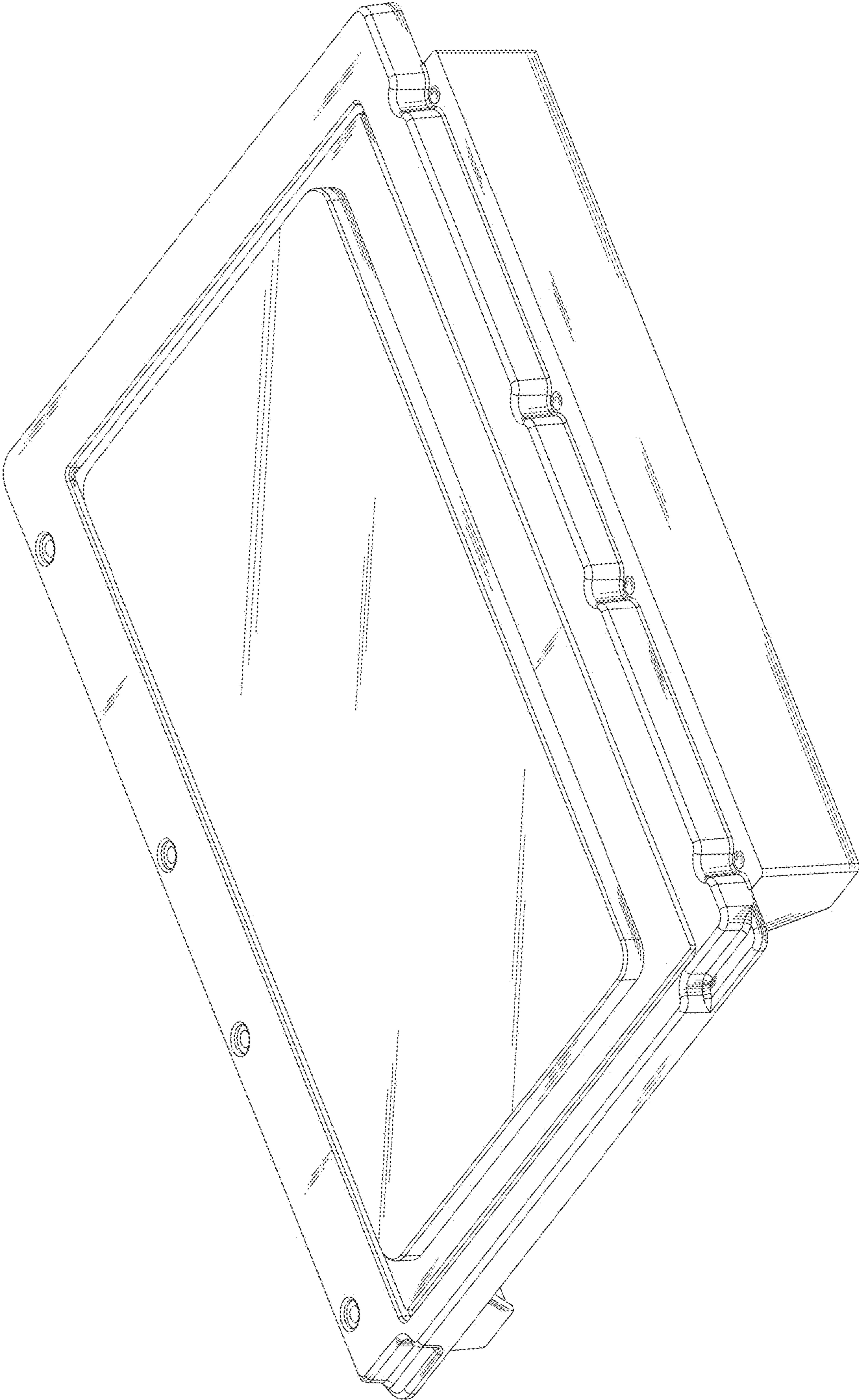


FIG.1

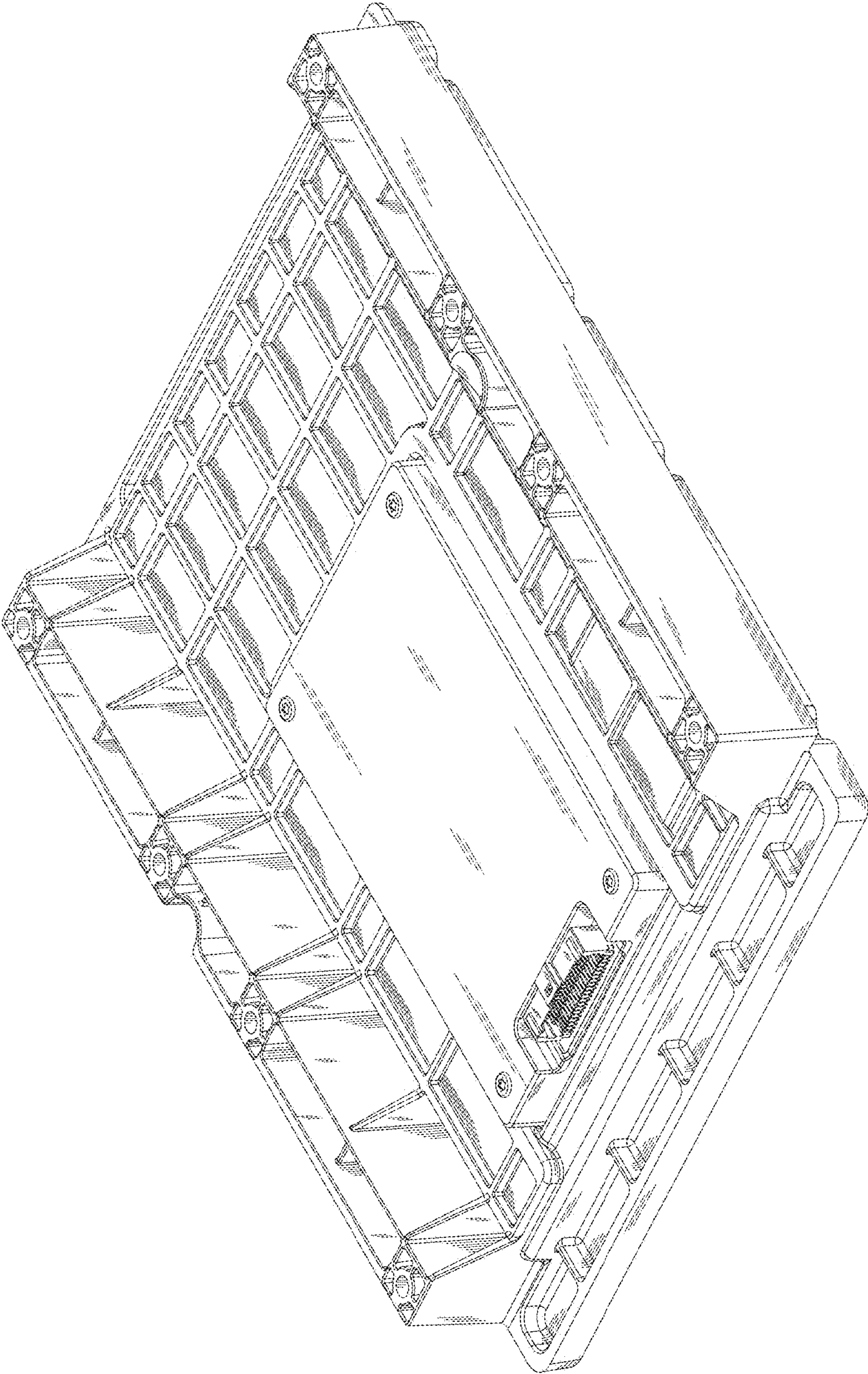


FIG.2

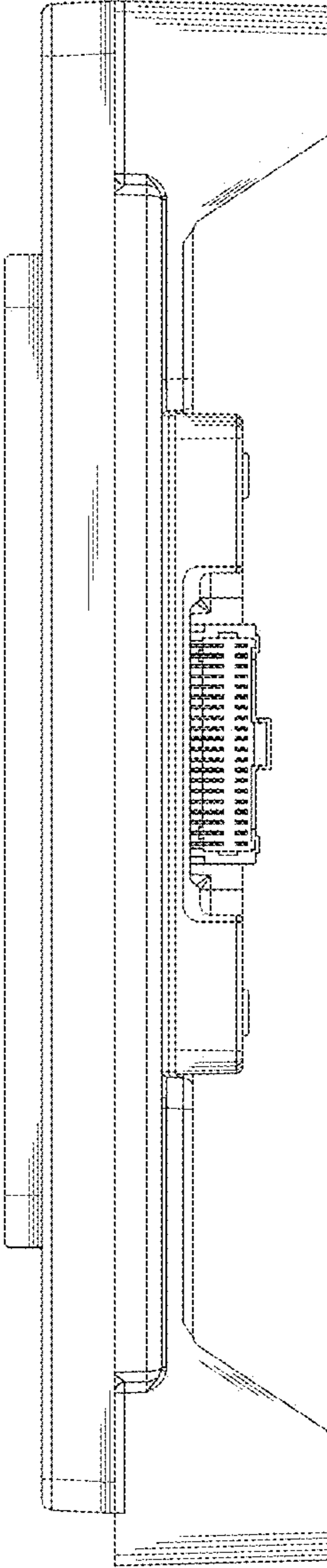


FIG.3

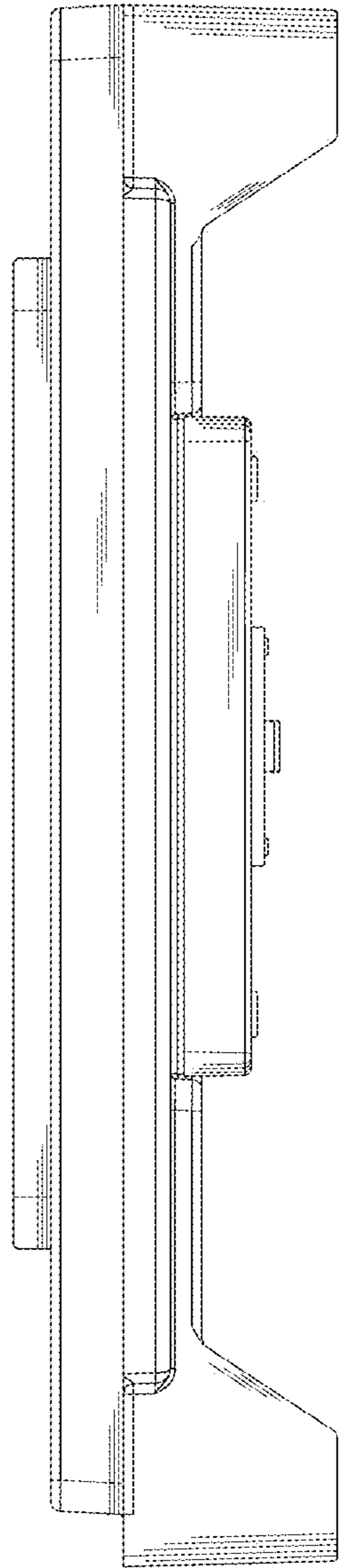


FIG.4

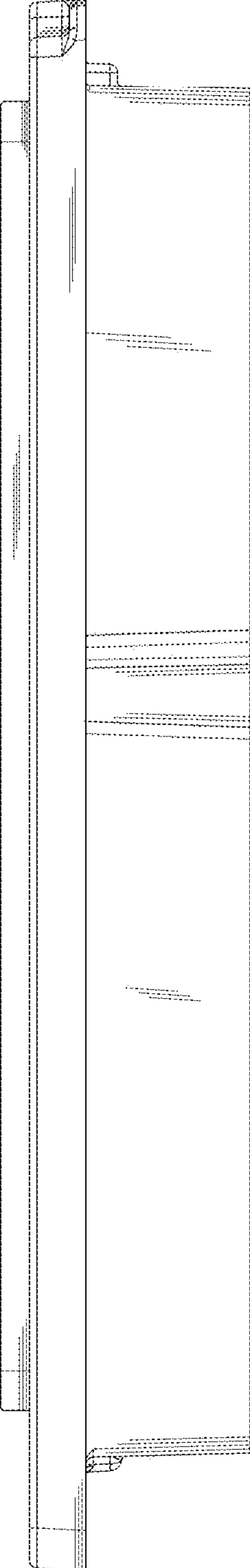


FIG.5

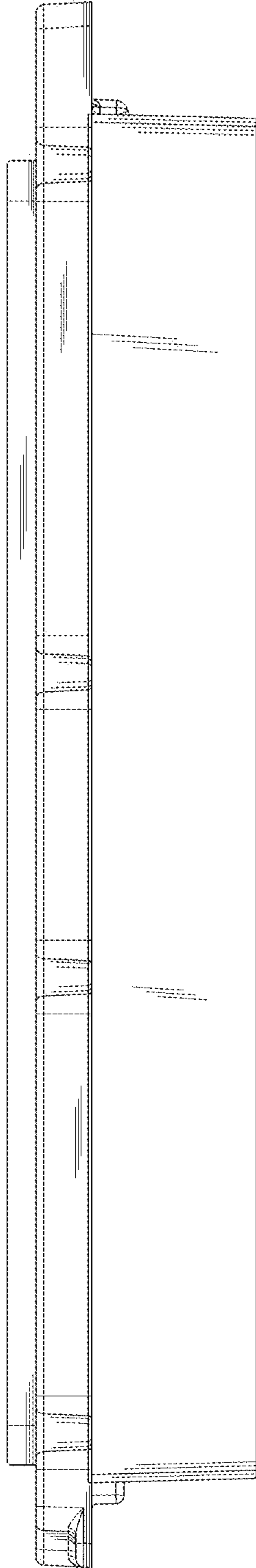


FIG.6

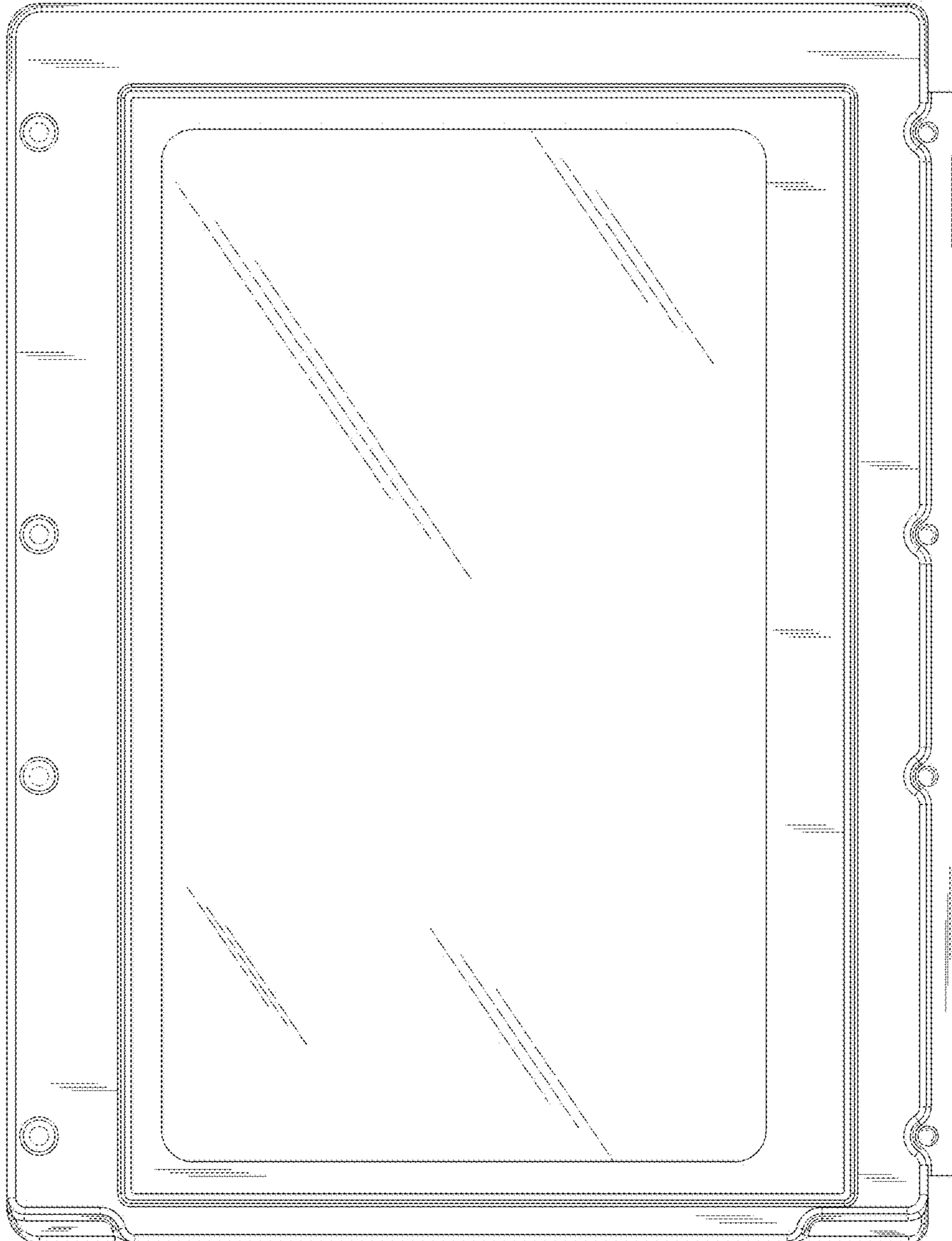


FIG.7



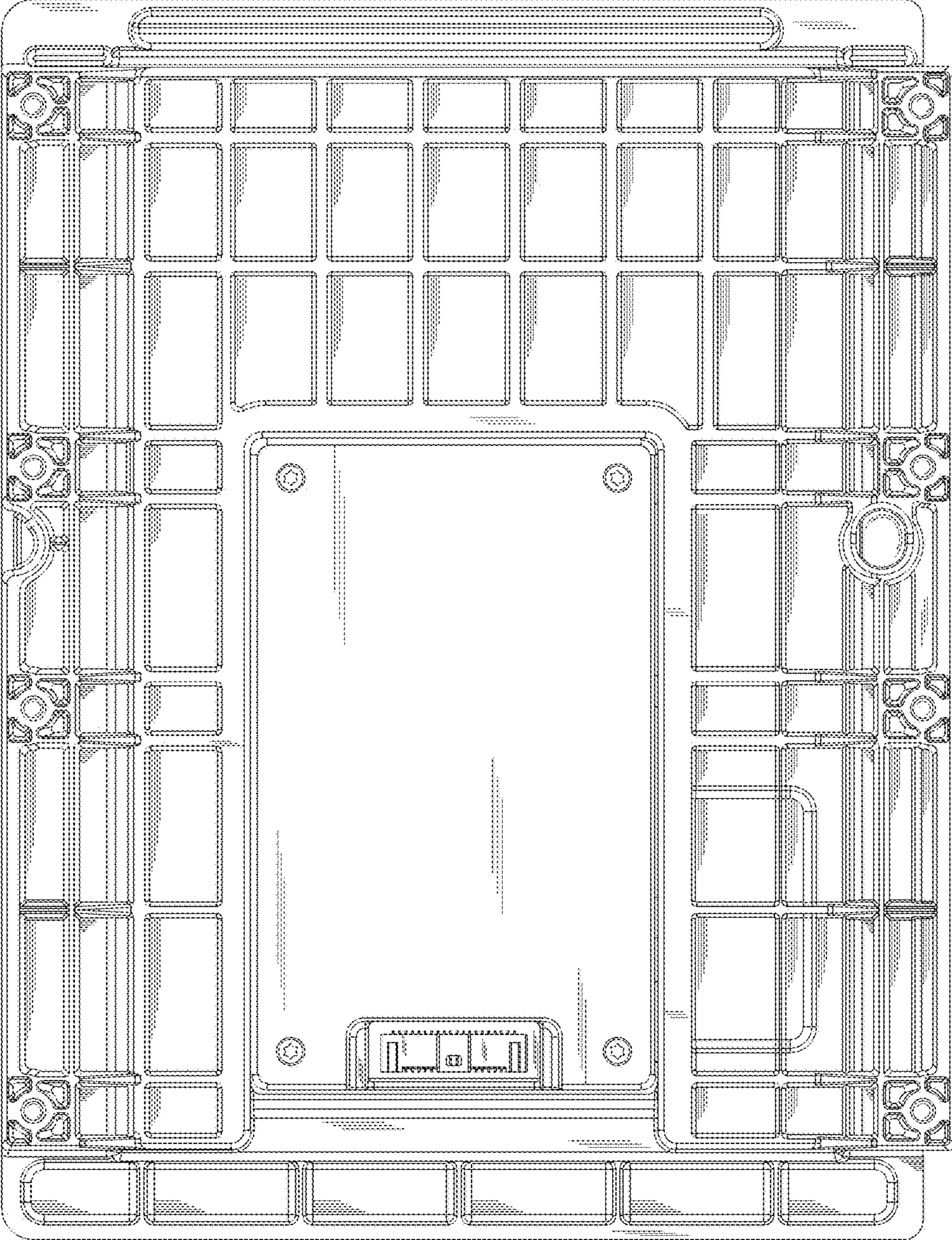


FIG.8