



US00D810078S

(12) **United States Design Patent**
Kikuchi et al.

(10) **Patent No.:** **US D810,078 S**
(45) **Date of Patent:** **** Feb. 13, 2018**

(54) **TRANSMITTING AND RECEIVING APPARATUS FOR DATA COMMUNICATION**

D324,514 S * 3/1992 Ishida D14/358
D414,774 S * 10/1999 Gauffin D13/184
D438,532 S * 3/2001 Gargani D14/240
D464,965 S * 10/2002 Wang D14/358

(71) Applicant: **NEC Corporation**, Minato-ku, Tokyo (JP)

(Continued)

(72) Inventors: **Yoshifumi Kikuchi**, Minato-ku (JP);
Tetsuya Nagata, Nakahara-ku (JP)

OTHER PUBLICATIONS

(73) Assignee: **NEC CORPORATION**, Tokyo (JP)

Data Communication Equipment. (Design—©Questel). orbit.com. [online PDF] 81 pgs. Print Dates Range Jul. 25, 2005 to Oct. 16, 2016. [retrieved on Apr. 11, 2017] <https://sobjprd.questel.fr/export/QPTUJ214/pdf2/b6982969-80cc-4680-8afa-54bfa3020fcd-183408.pdf>.*

(**) Term: **15 Years**

Primary Examiner — Susan Bennett Hattan

(21) Appl. No.: **29/546,144**

Assistant Examiner — Marie Fast Horse

(22) Filed: **Nov. 19, 2015**

(74) *Attorney, Agent, or Firm* — Keating & Bennett, LLP

(30) **Foreign Application Priority Data**

May 19, 2015 (JP) 2015-010868

(51) **LOC (11) Cl.** **14-02**

(52) **U.S. Cl.**
USPC **D14/358; D14/240**

(58) **Field of Classification Search**

USPC D14/356-358, 388, 496, 125, 137, 140,
D14/140.1, 140.6, 155, 225, 226, 230,
D14/240, 242, 243, 299, 300, 301, 302,
D14/314, 328, 348, 349, 353, 354;
D13/123, 158, 162, 162.1, 164, 168,
D13/171-174, 184, 199, 152, 156;
D10/61, 65, 103, 104.1, 121, 46, 106.1,
D10/106.2, 106.3, 106.6, 106.99
CPC ... H04W 88/00; H04W 88/005; H04W 88/08;
H04W 88/085; H04W 88/10; H04W
88/12; H04W 84/04; H04W 84/042;
H04W 84/045; H04W 84/047; H04W
84/105; H04Q 1/116; H04Q 1/035
See application file for complete search history.

(57) **CLAIM**

The ornamental design for a transmitting and receiving apparatus for data communication, as shown and described.

DESCRIPTION

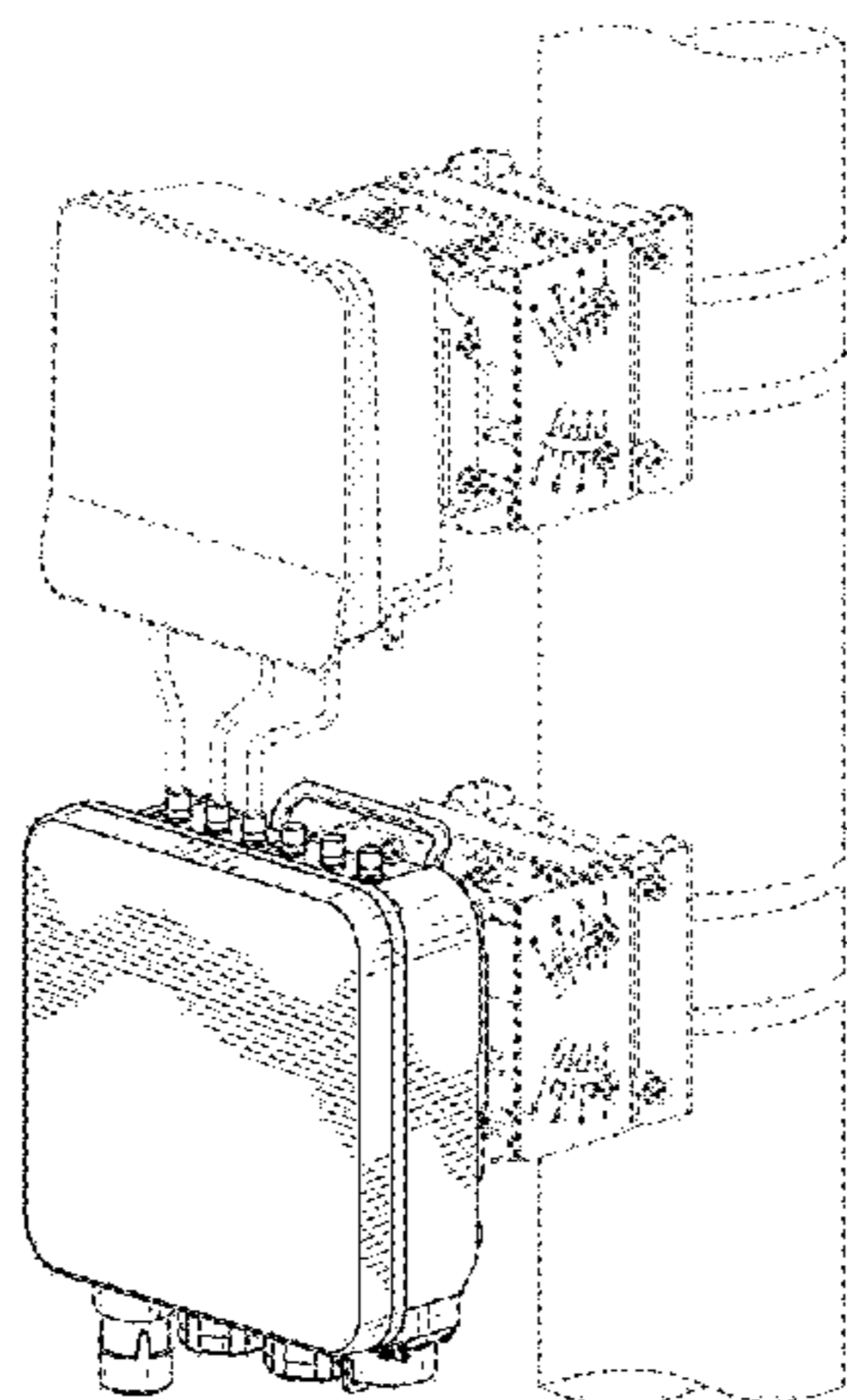
FIG. 1 is a front view of a transmitting and receiving apparatus for data communication showing our new design; FIG. 2 is a rear view thereof; FIG. 3 is a left side view thereof; FIG. 4 is a right side view thereof; FIG. 5 is a top side view thereof; FIG. 6 is a bottom side view thereof; and, FIG. 7 is a perspective view of the transmitting and receiving apparatuses for data communication of our new design attached to an antenna and a pole and connected to a data communication apparatus. The broken lines in FIG. 7 depict environmental subject matter only and forms no part of the claimed design. The broken lines in FIGS. 2-6 depict parts of the transmitting and receiving apparatus for data communication that form no part of the claimed design.

(56) **References Cited**

U.S. PATENT DOCUMENTS

D304,339 S * 10/1989 Collins 379/412
D305,230 S * 12/1989 Math D13/146

1 Claim, 7 Drawing Sheets



(56)

References Cited

U.S. PATENT DOCUMENTS

6,470,193	B1 *	10/2002	Stolt	H01P 1/2131 375/299
6,510,226	B1 *	1/2003	Thomann	H04Q 1/116 379/413.04
D493,169	S *	7/2004	Cheng	D14/357
D499,069	S *	11/2004	Stanush	D13/152
D510,342	S *	10/2005	MacCormac	D14/240
D530,709	S *	10/2006	Bang	D14/240
D549,663	S *	8/2007	Tsou	D13/147
D588,551	S *	3/2009	Andersson	D13/158
D591,688	S *	5/2009	Nishiyama	D13/152
D634,720	S *	3/2011	Cheng	D13/184
D635,106	S *	3/2011	Cheng	D13/184
D641,740	S *	7/2011	Jeon	D14/140.6
D649,141	S *	11/2011	Thomas	D14/240
D651,200	S *	12/2011	Sugime	D14/140.6
D660,261	S *	5/2012	Huang	D13/184
D730,333	S *	5/2015	Matsumoto	D14/240
D730,880	S *	6/2015	Nagata	D14/240
D736,193	S *	8/2015	Kwak	D14/240
D742,864	S *	11/2015	Kurosawa	D14/240
D756,921	S *	5/2016	Benn	D13/110
D759,639	S *	6/2016	Moon	D14/242
D768,607	S *	10/2016	Altonen	D14/240
D769,231	S *	10/2016	Kwak	D14/242
D781,257	S *	3/2017	Moon	D14/125
D783,579	S *	4/2017	MacManus	D14/240
D783,580	S *	4/2017	MacManus	D14/240
2004/0110469	A1 *	6/2004	Judd	G01S 19/25 455/15
2006/0146491	A1 *	7/2006	Chen	G06F 3/023 361/679.08
2006/0153516	A1 *	7/2006	Napiorkowski	G02B 6/445 385/135
2007/0272440	A1 *	11/2007	Grunwald	G02B 6/4448 174/520
2012/0127379	A1 *	5/2012	Wengreen	H05K 5/0204 348/836

* cited by examiner

FIG.1

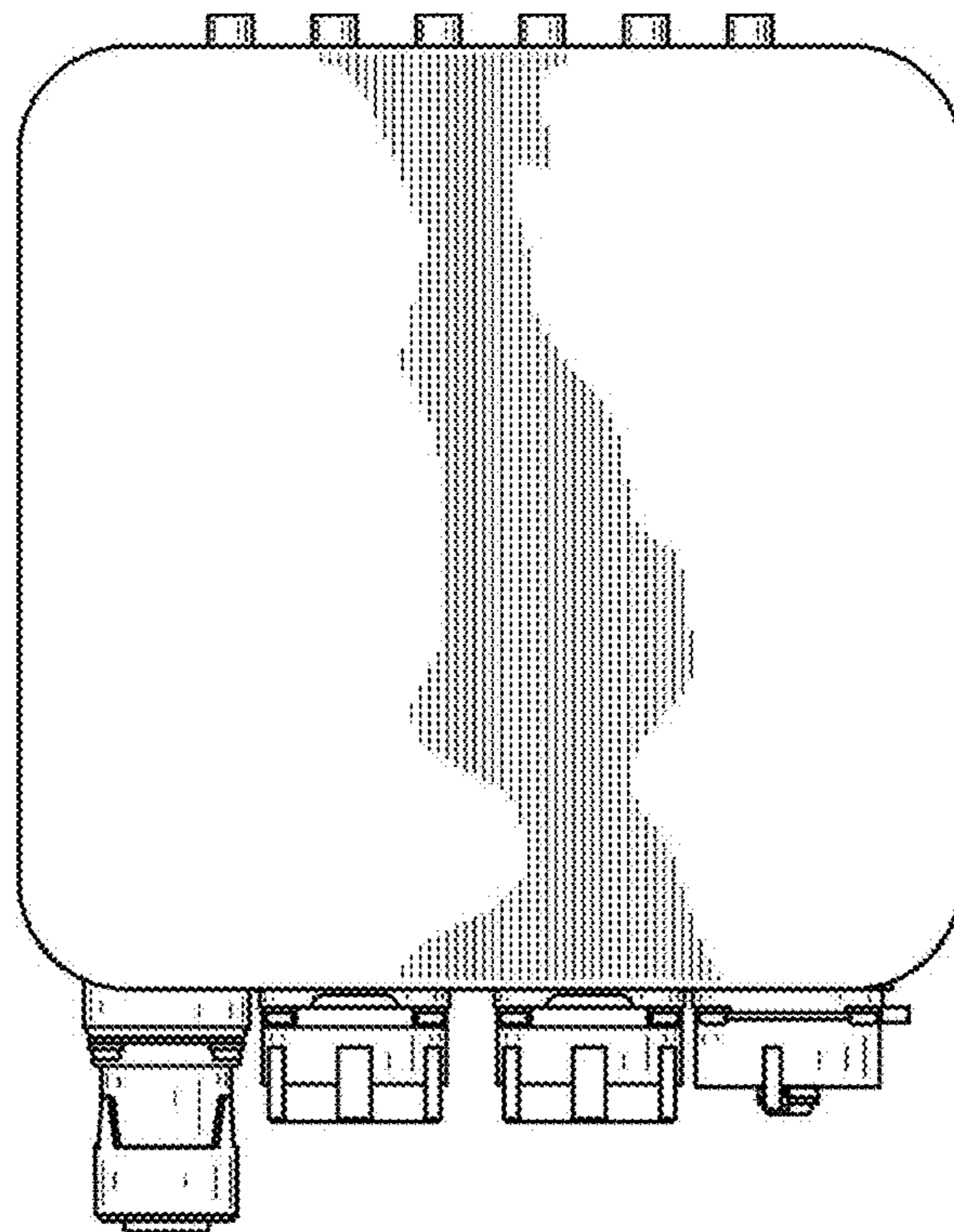


FIG.2

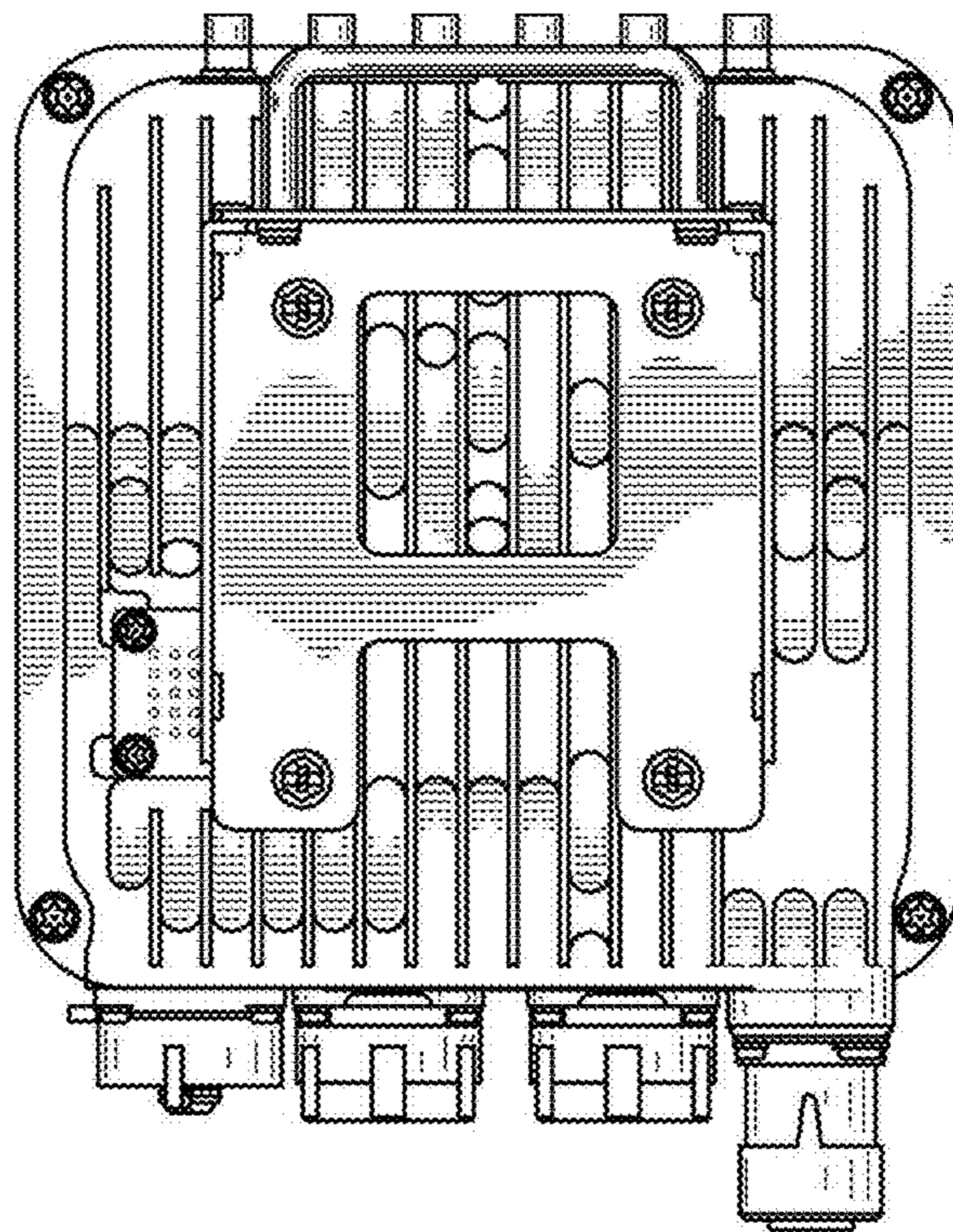


FIG. 3

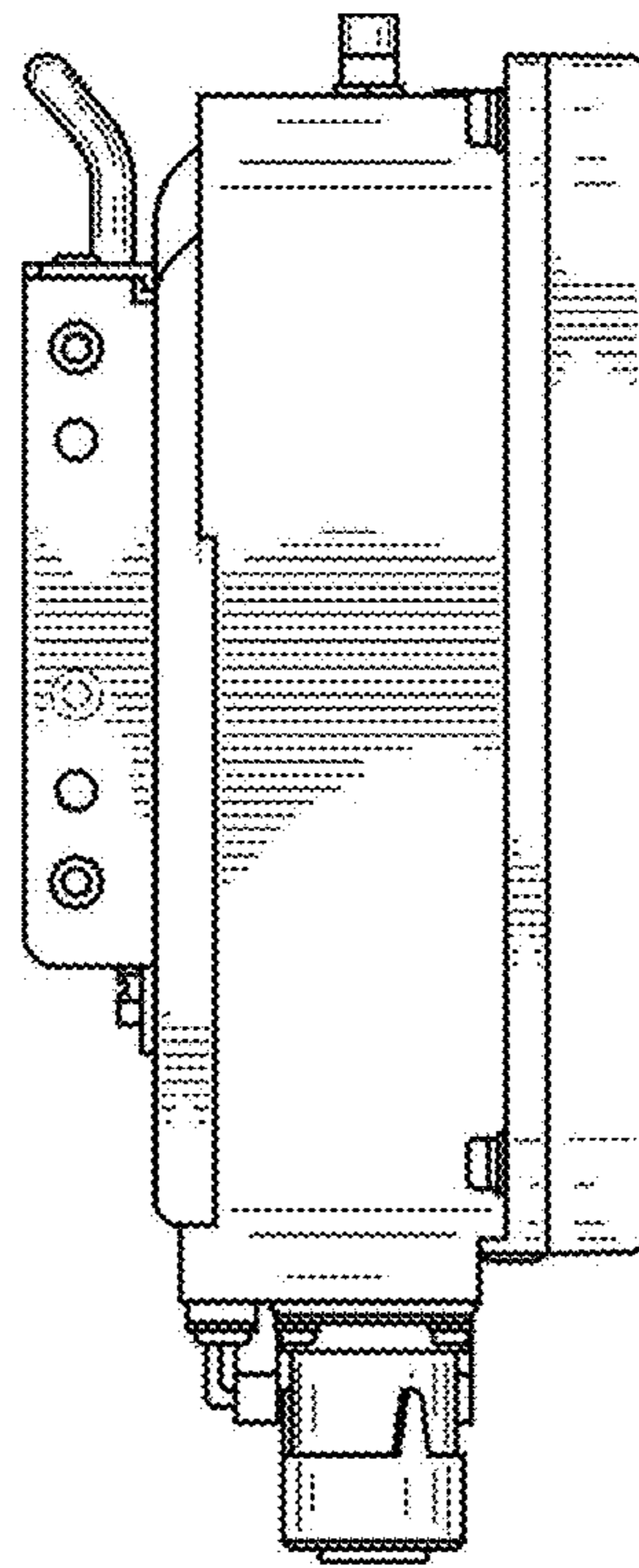


FIG. 4

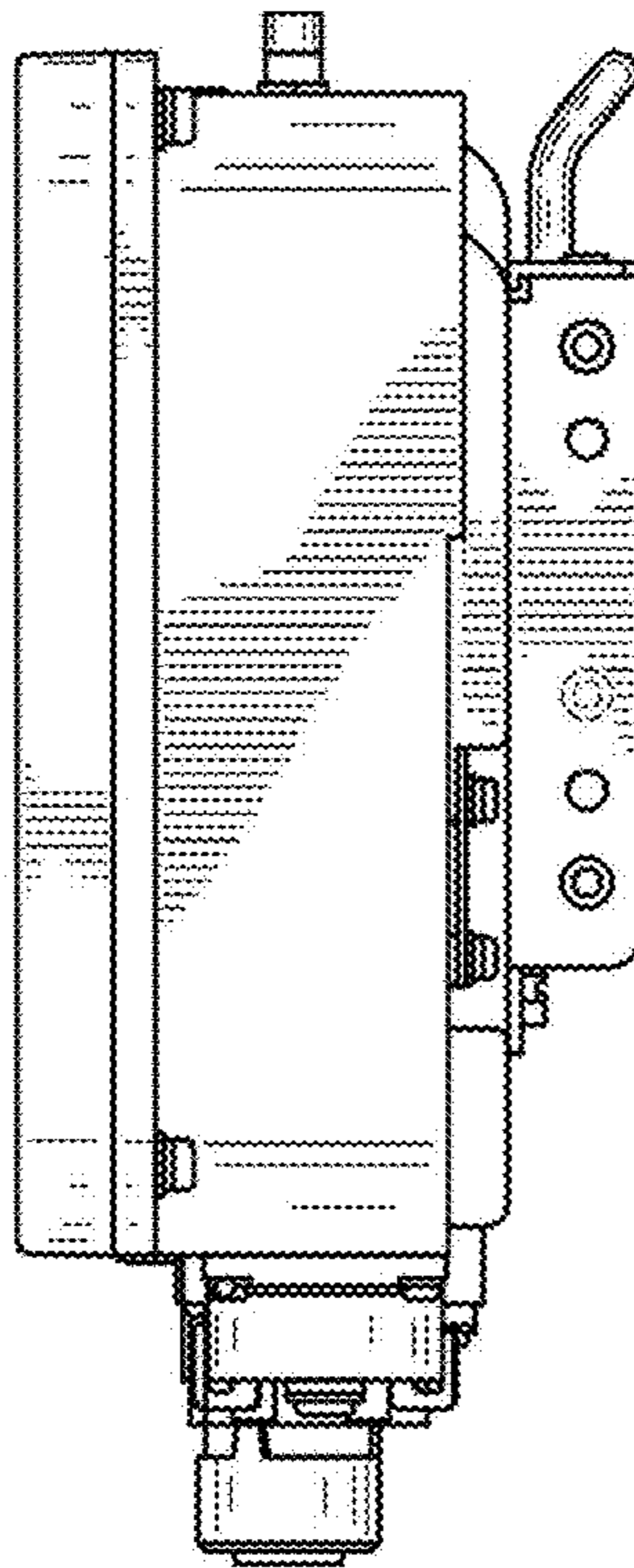


FIG.5

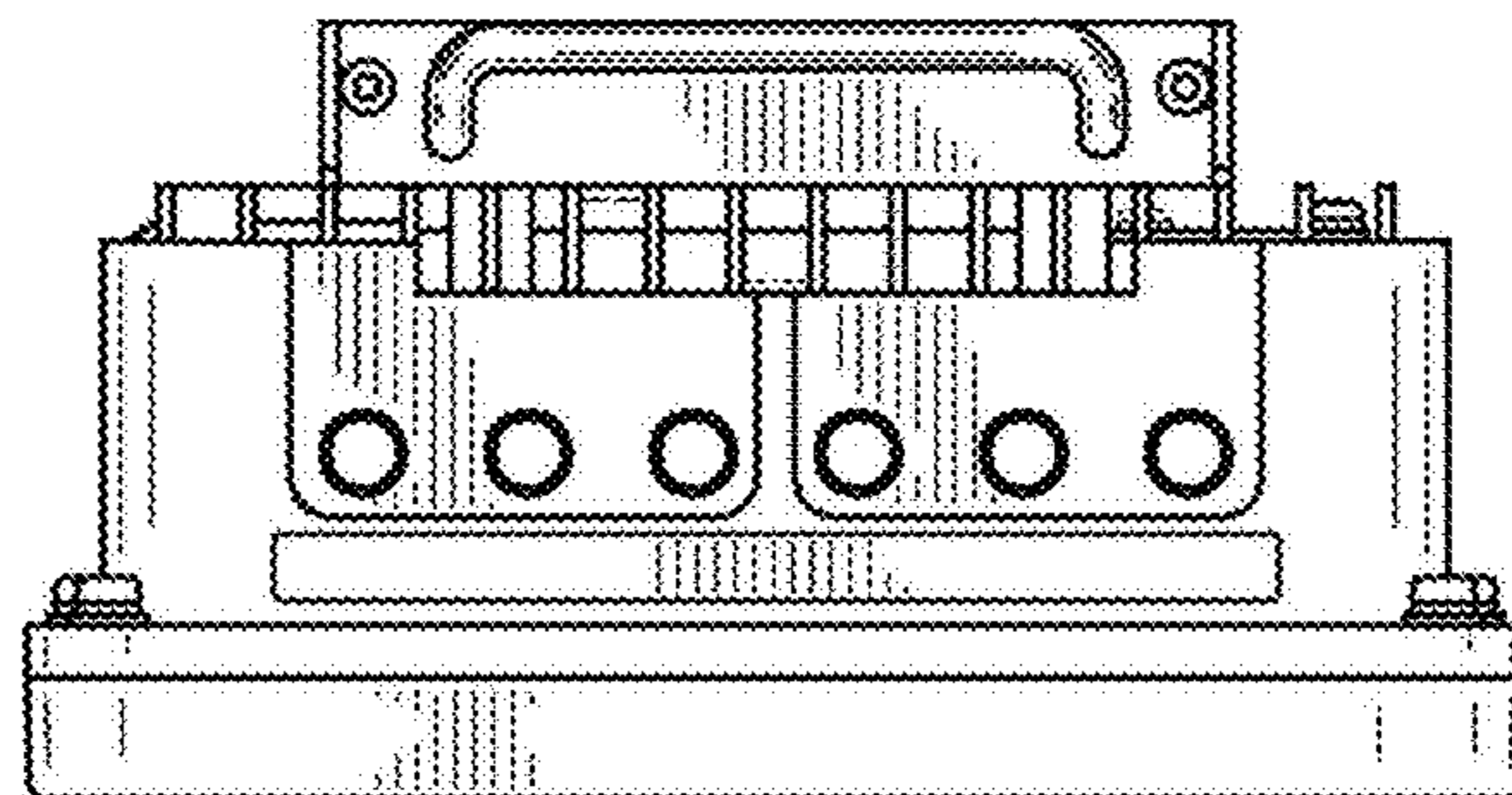


FIG.6

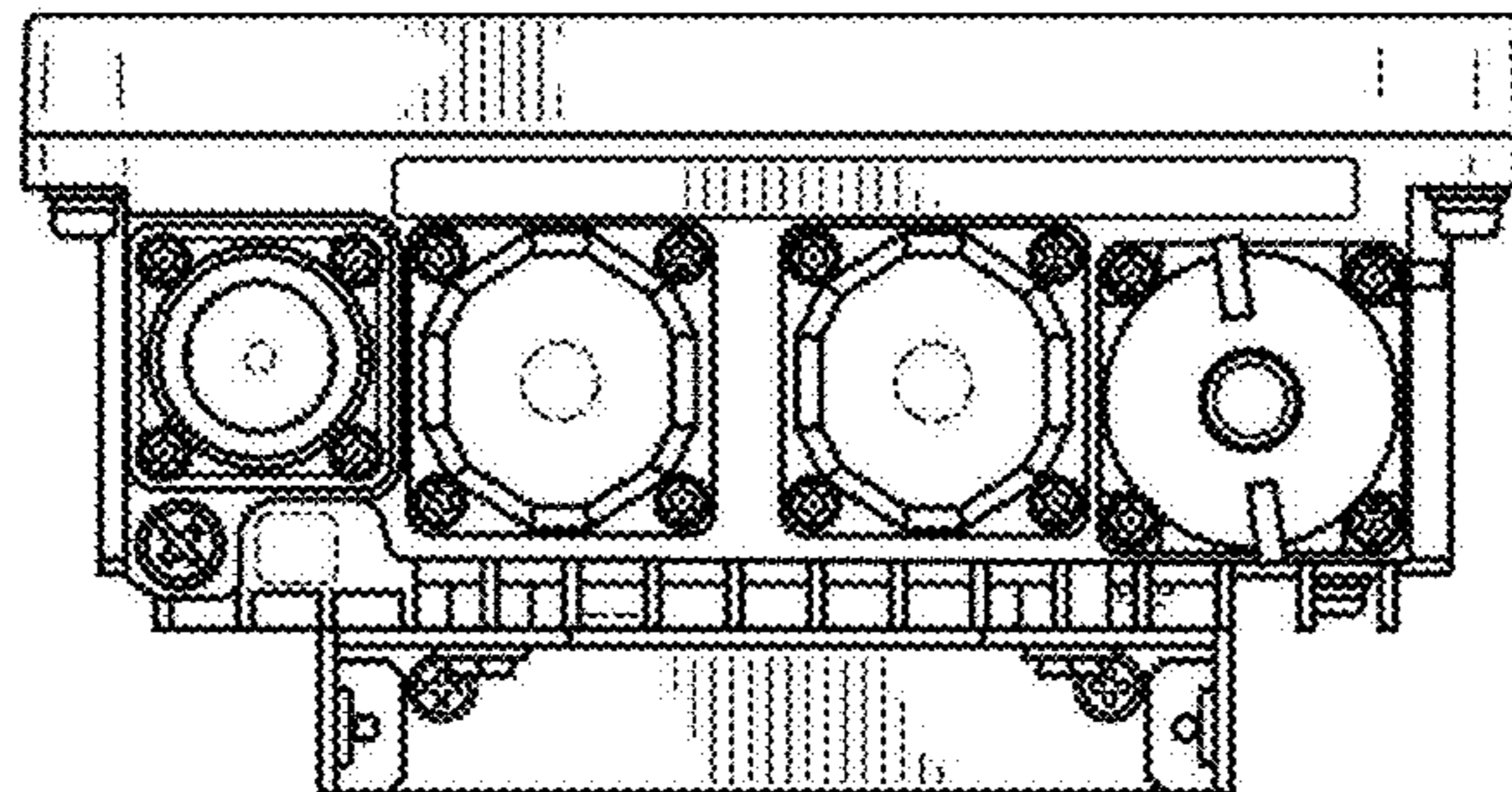


FIG. 7

