



US00D810077S

(12) **United States Design Patent** (10) **Patent No.:** **US D810,077 S**
Kacin et al. (45) **Date of Patent:** **** Feb. 13, 2018**

(54) **COMPUTING DEVICE**
(71) Applicant: **LARC Networks, Inc.**, Los Altos, CA (US)
(72) Inventors: **Martin Kacin**, Los Altos Hills, CA (US); **Steve Eckland**, Palo Alto, CA (US); **Robert Alexander Garrow, Jr.**, Los Altos Hills, CA (US); **Kirk Lynn Reistroffer**, Fremont, CA (US)
(73) Assignee: **LARC Networks, Inc.**, Los Altos, CA (US)

(**) Term: **15 Years**

(21) Appl. No.: **29/566,121**

(22) Filed: **May 26, 2016**

(51) **LOC (11) Cl.** **14-02**

(52) **U.S. Cl.**
USPC **D14/356; D14/308**

(58) **Field of Classification Search**
USPC D14/356-358, 361, 362, 365, 367, 370, D14/388, 432, 496, 125, 140, 142, 155, D14/168, 240, 243, 299, 188, 300, 301, D14/302, 308, 314, 330, 348, 349, 363, D14/364, 204, 210, 214, 215, 221; D13/103, 107, 108, 123, 152, 158, 159, D13/162.1, 182, 199, 110, 151, 162, 184; D9/414, 430, 432; D3/273
CPC ... G06F 1/00; G06F 1/16; G06F 1/181; G06F 1/183; G06F 1/184; G06F 1/187; G06F 1/1688; G06F 17/30026; H05K 5/00; H05K 7/00; H05K 7/14; H05K 7/1425; H05K 7/1427; H05K 7/1431; H05K 7/1488; H05K 7/16

See application file for complete search history.

(56) **References Cited**

U.S. PATENT DOCUMENTS

D219,105 S * 11/1970 Tominaga D14/214
D231,660 S * 5/1974 Ishikawa D14/214

D277,042 S * 1/1985 Carter D3/272
D340,929 S * 11/1993 Klimek D14/210
5,802,194 A * 9/1998 Yamagishi H04R 5/02
181/144
D458,911 S * 6/2002 Kataoka D14/129
D460,437 S * 7/2002 Lancaster D14/214
D460,451 S * 7/2002 Andre D14/356
D461,187 S * 8/2002 Andre D14/356
D461,804 S * 8/2002 Carey D14/356
D507,259 S * 7/2005 Taylor D14/214
D508,491 S * 8/2005 Choi D14/356
D526,648 S * 8/2006 Andre D14/314
D533,553 S * 12/2006 Xu D14/349
D587,239 S * 2/2009 Raisanen D14/188
D592,642 S * 5/2009 Andrews D14/212
D598,906 S * 8/2009 Chiba D14/240
D611,406 S * 3/2010 Oikawa D13/102
D618,232 S * 6/2010 O'Neil D14/314

(Continued)

Primary Examiner — Susan Bennett Hattan

Assistant Examiner — Marie D. Fast Horse

(74) *Attorney, Agent, or Firm* — Fenwick & West LLP

(57) **CLAIM**

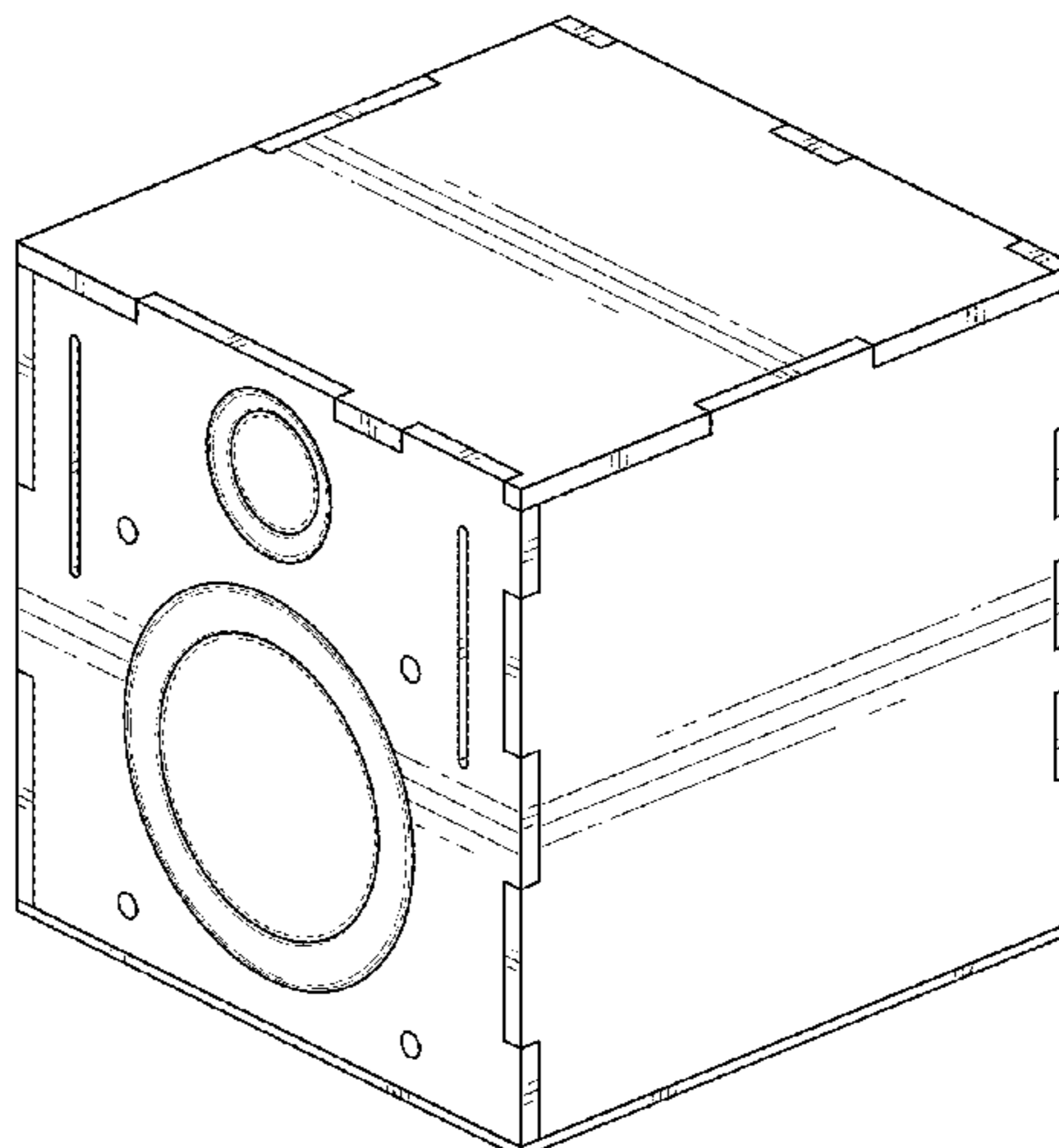
We claim the ornamental design for a computing device, as shown and described.

DESCRIPTION

FIG. 1 is a first perspective view of a computing device; FIG. 2 is a second perspective view thereof; FIG. 3 is a front view thereof; FIG. 4 is a rear view thereof; FIG. 5 is a left side view thereof; FIG. 6 is a right side view thereof; FIG. 7 is a top view thereof; and, FIG. 8 is a bottom view thereof.

The broken lines in the drawings depict portions of the computing device that form no part of the claimed design.

1 Claim, 8 Drawing Sheets



(56)

References Cited

U.S. PATENT DOCUMENTS

D638,424	S	*	5/2011	Brandis	D14/358
D648,186	S	*	11/2011	Pourian	D19/67
D650,377	S	*	12/2011	Akana	D14/314
D660,834	S	*	5/2012	Akana	D14/314
D664,122	S	*	7/2012	Cho	D14/215
D678,245	S	*	3/2013	Davies	D14/215
D680,097	S	*	4/2013	Davies	D14/204
D693,794	S	*	11/2013	Nauroy	D14/214
D718,736	S	*	12/2014	Thompson	D14/168
D720,347	S	*	12/2014	Lo	D14/348
D722,099	S	*	2/2015	Lee	D16/225
D725,075	S	*	3/2015	Wong	D14/215
D729,759	S	*	5/2015	Filo	D14/155
D745,384	S	*	12/2015	Park	D9/414
D748,495	S	*	2/2016	Young	D9/432
D754,101	S	*	4/2016	McManigal	D14/214
D761,230	S	*	7/2016	Si	D14/214
D763,818	S	*	8/2016	Yang	D14/204
D763,825	S	*	8/2016	Zamir	D14/215
D769,941	S	*	10/2016	Srivatsan	D14/496
D771,383	S	*	11/2016	Vincent	D3/310
D772,221	S	*	11/2016	Kacin	D14/308
D772,222	S	*	11/2016	Kacin	D14/308
D772,223	S	*	11/2016	Kacin	D14/308
D772,224	S	*	11/2016	Kacin	D14/308
D778,986	S	*	2/2017	Kacin	D19/77
D785,365	S	*	5/2017	Newlin	D6/526
2010/0054521	A1	*	3/2010	Hung	G06F 1/1616 381/386
2015/0271937	A1	*	9/2015	Zheng	G06F 1/181 312/293.2
2016/0066474	A1	*	3/2016	Fu	G06F 1/206 165/287

* cited by examiner

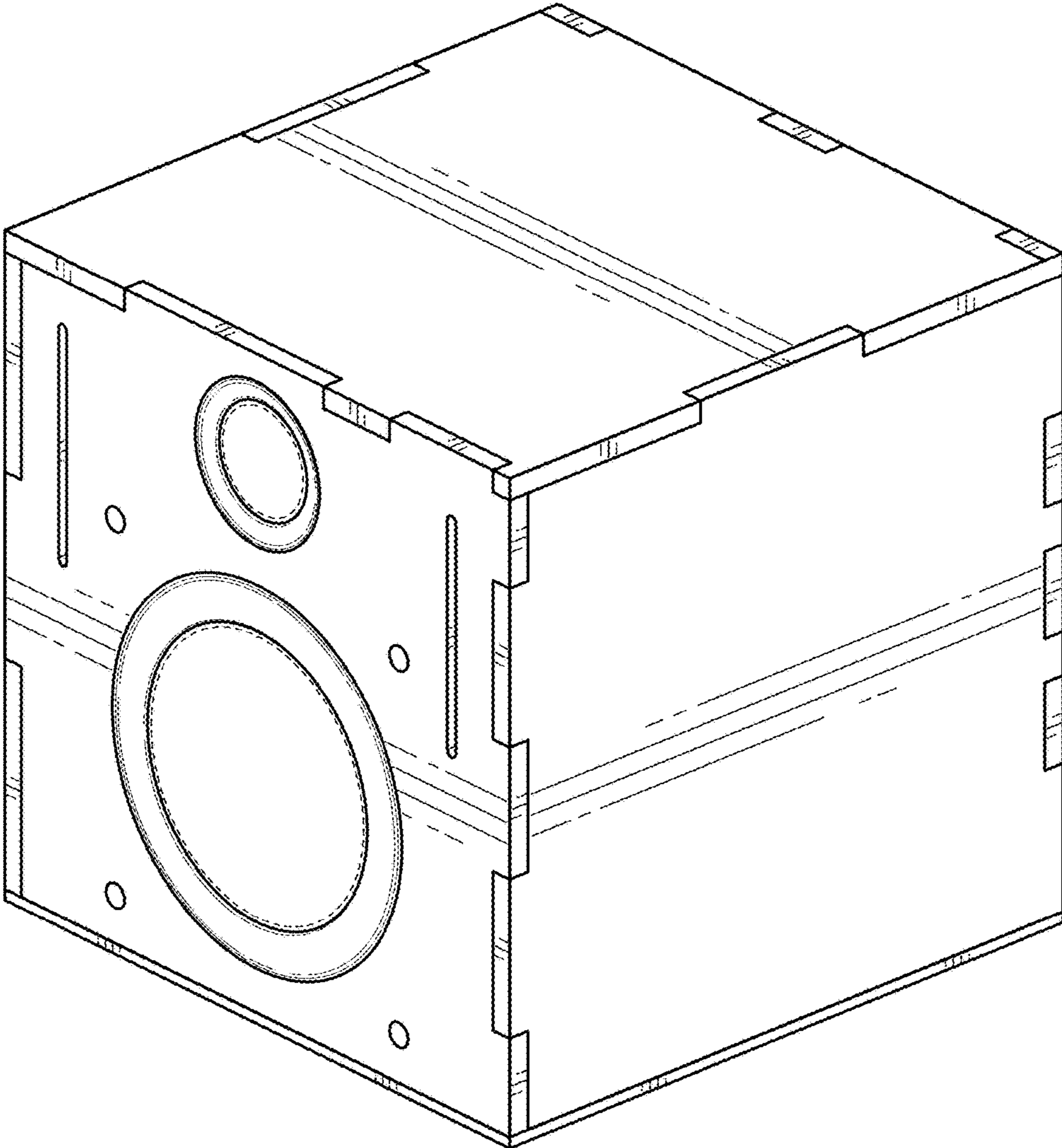


FIG. 1

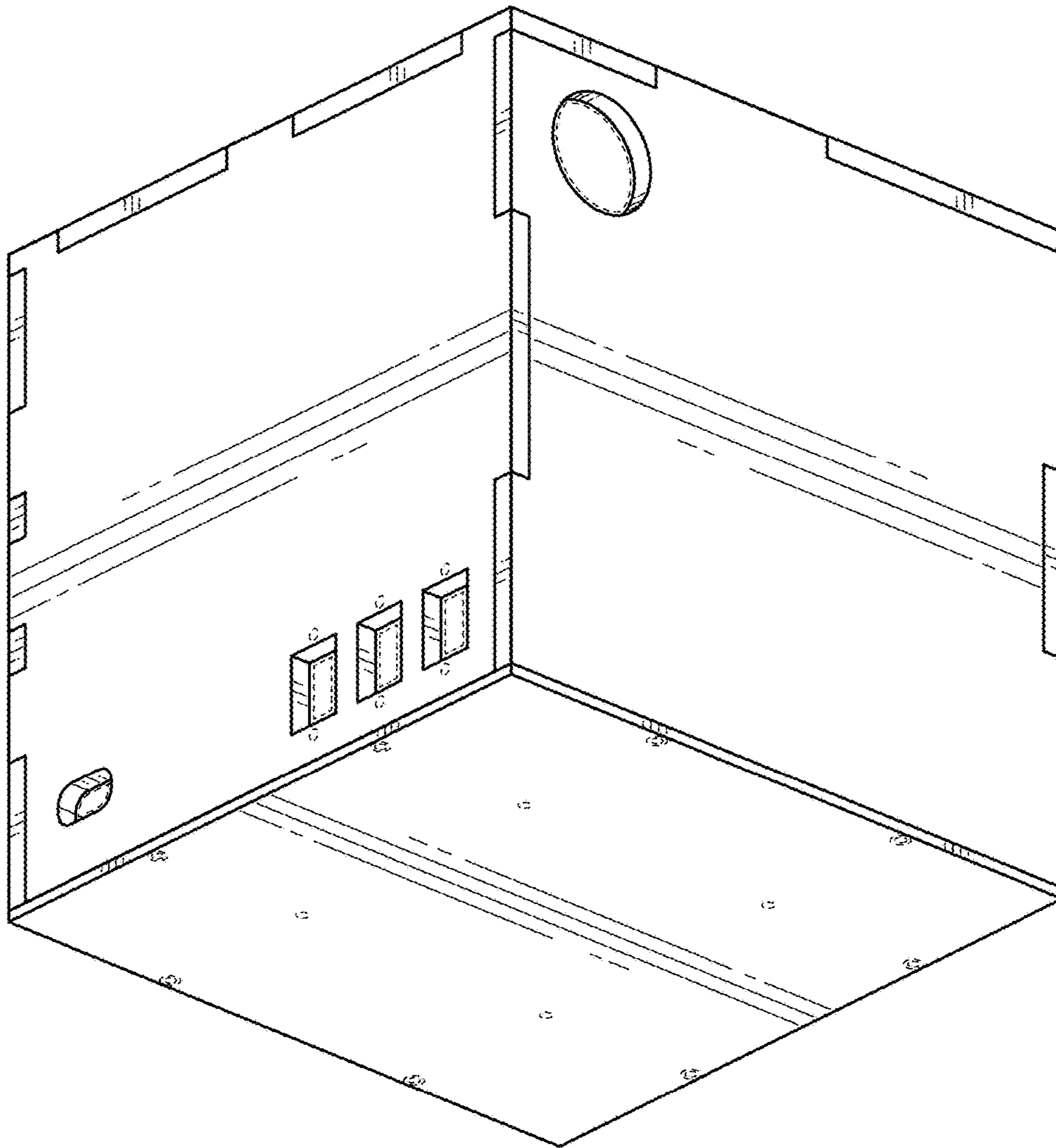


FIG. 2

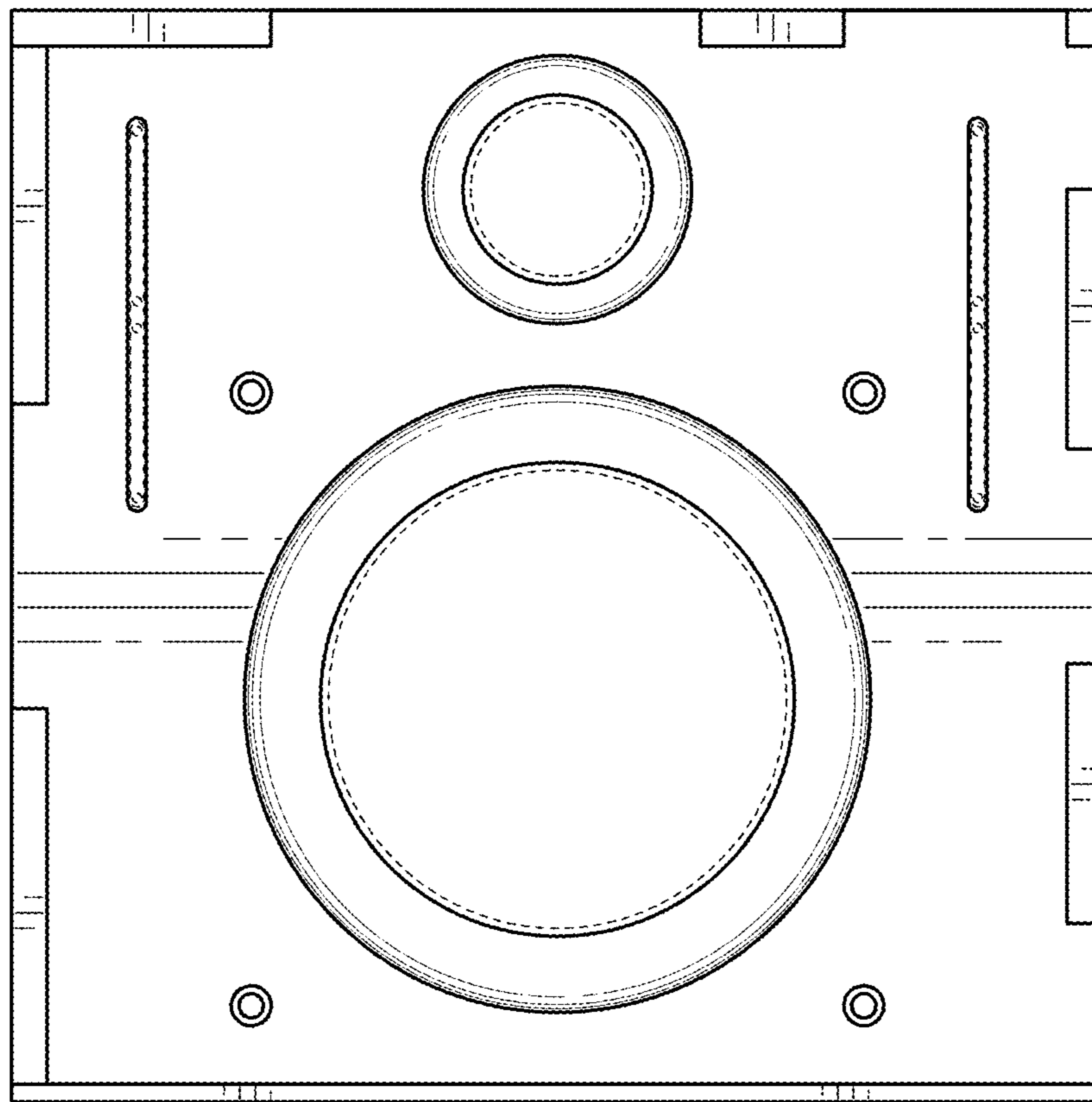


FIG. 3

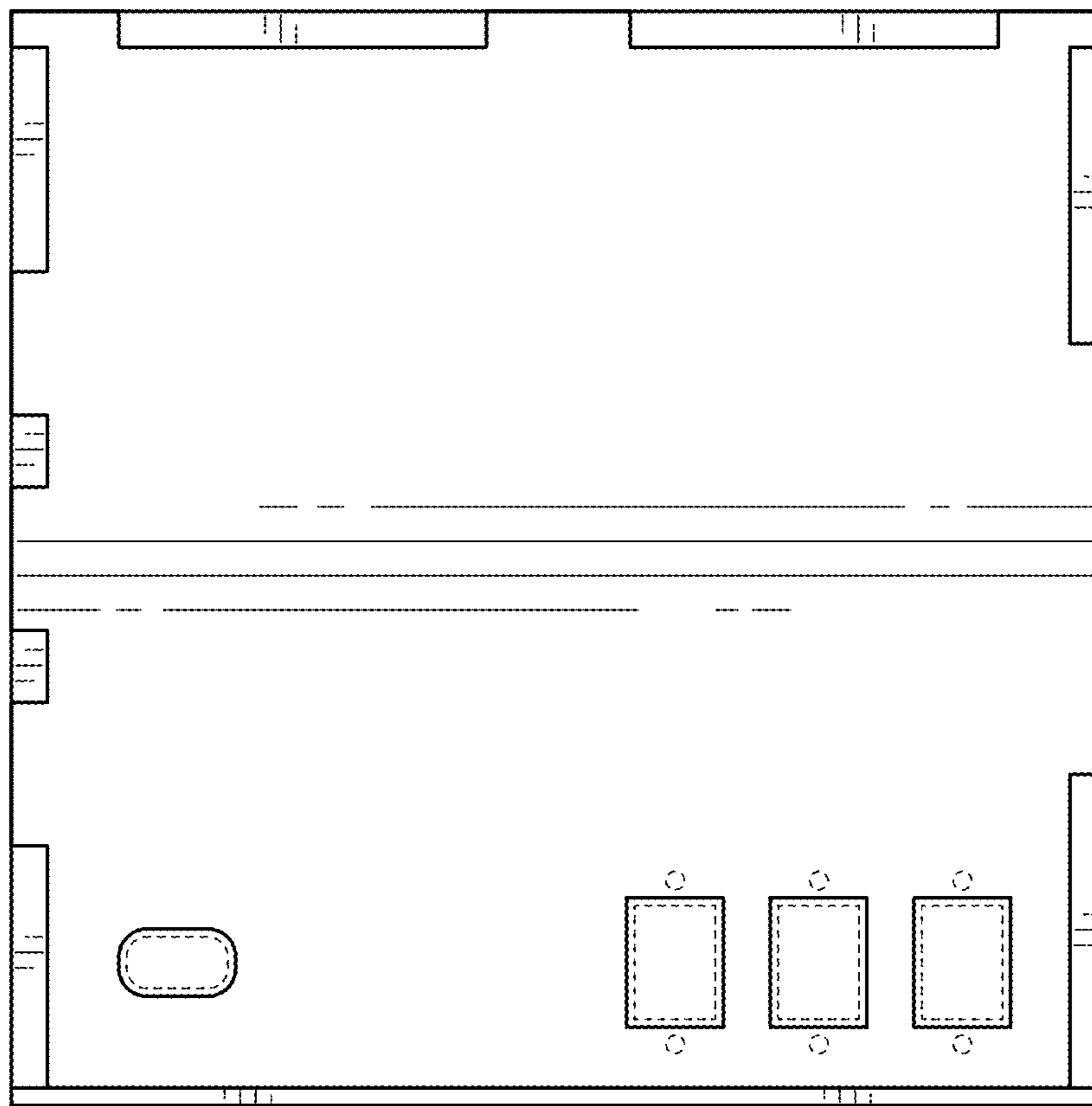


FIG. 4

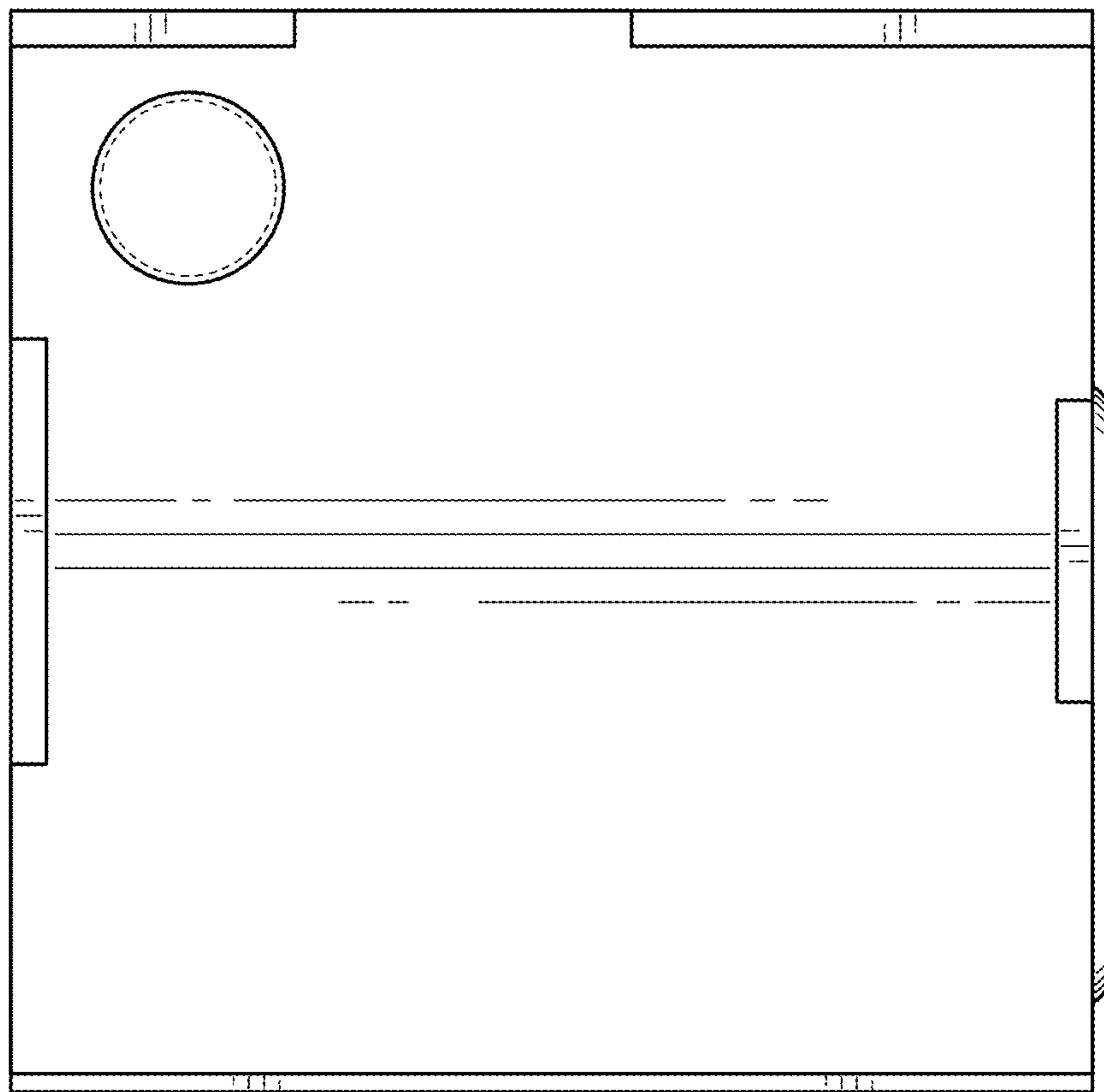


FIG. 5

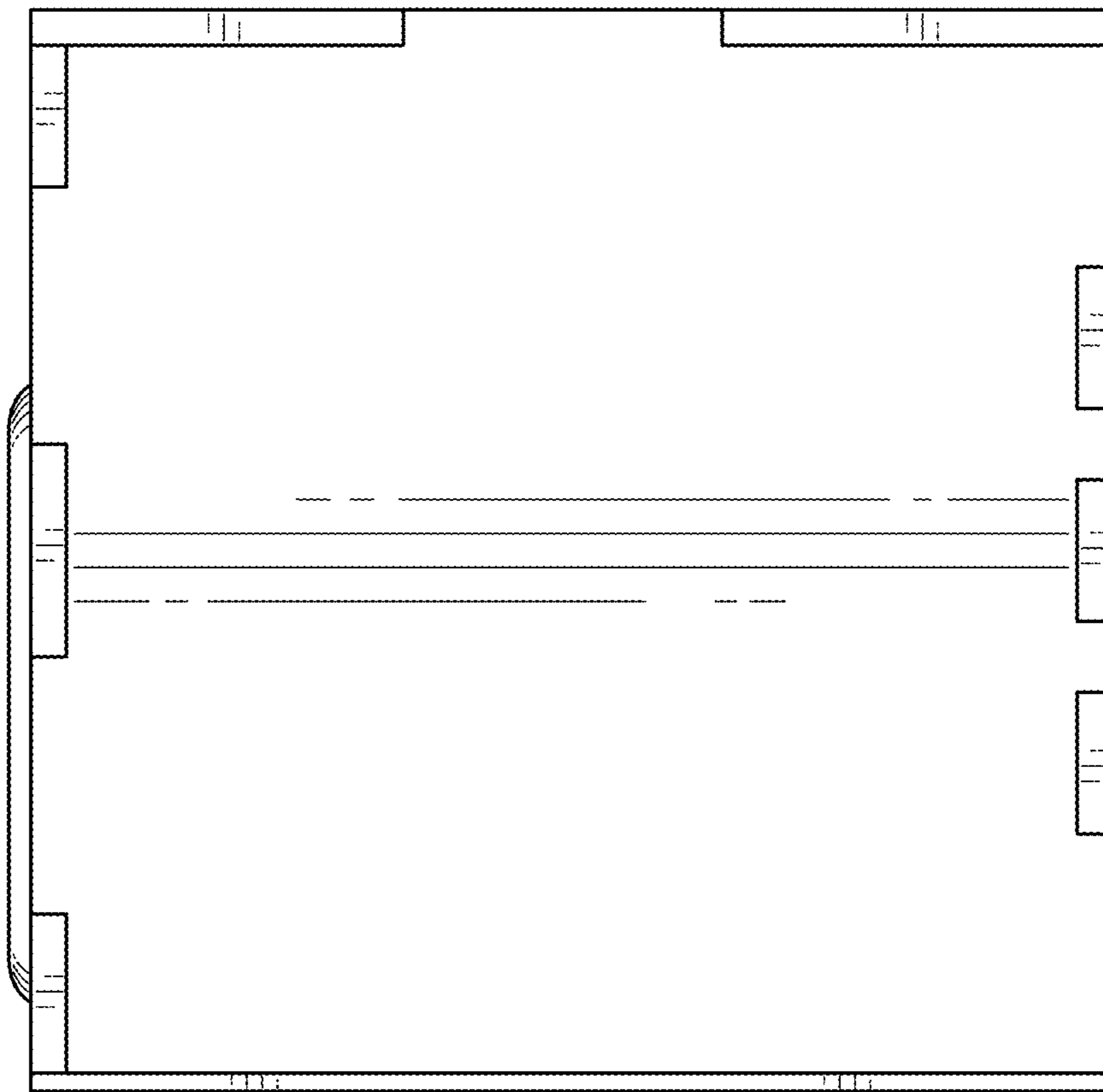


FIG. 6

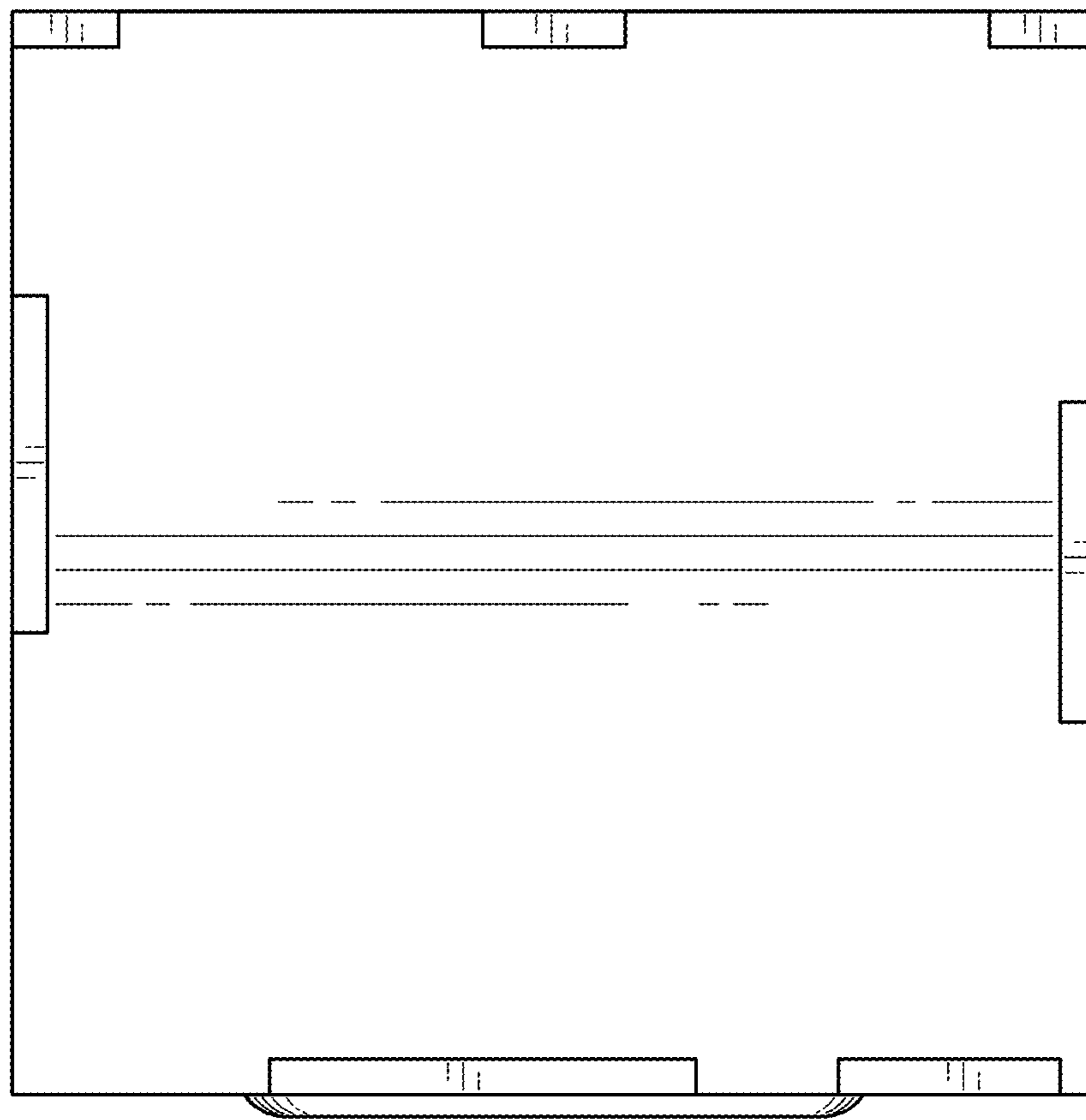


FIG. 7

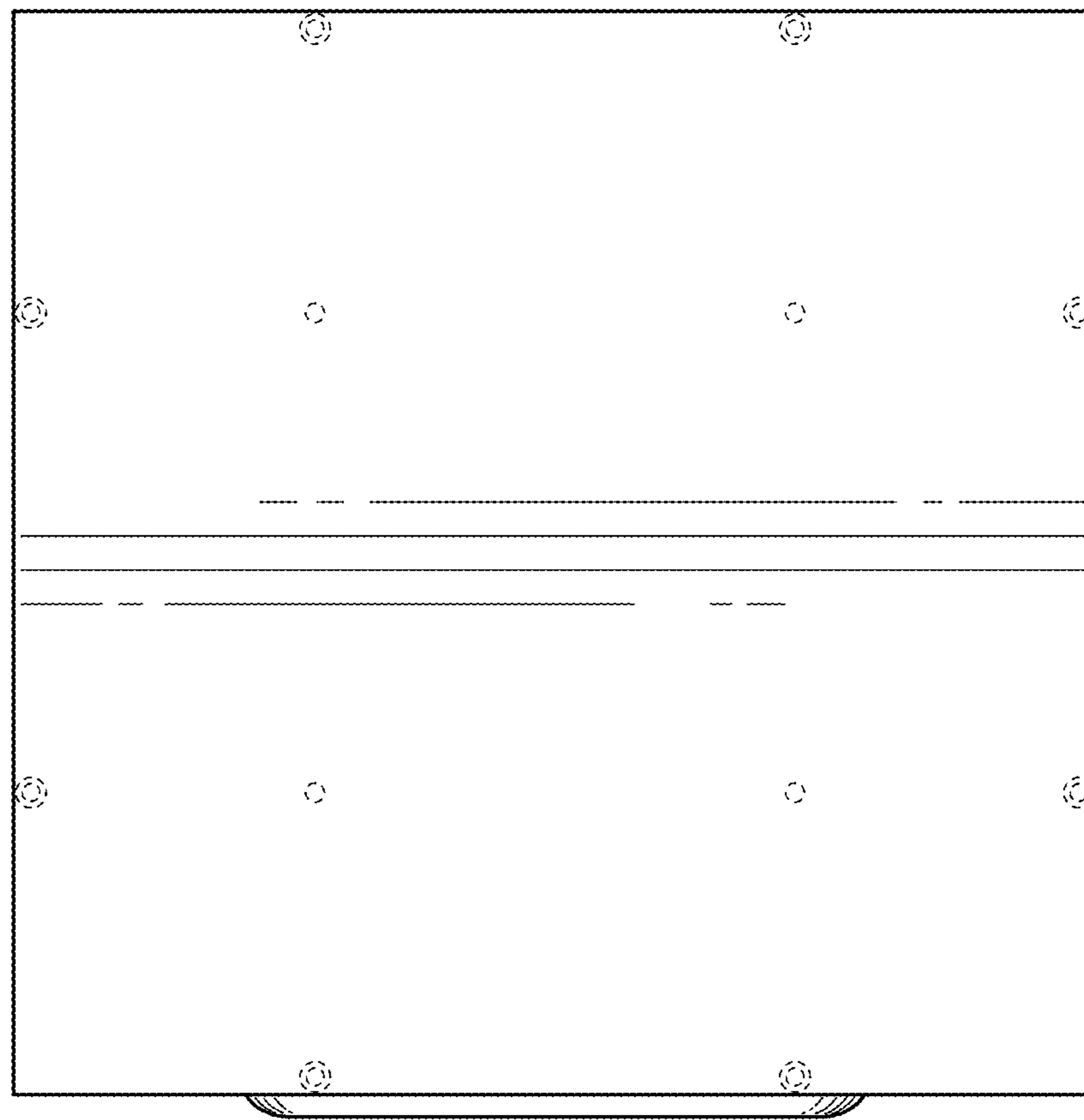


FIG. 8