



US00D810073S

(12) **United States Design Patent** (10) **Patent No.:** **US D810,073 S**  
**Bae et al.** (45) **Date of Patent:** **\*\* Feb. 13, 2018**

(54) **ELECTRONIC DEVICE**

1/0279; H04M 1/0281; H04M 1/0283;  
H04M 1/0214

(71) Applicant: **Samsung Electronics Co., Ltd.**,  
Suwon-si (KR)

See application file for complete search history.

(72) Inventors: **Junwon Bae**, Yongin-si (KR);  
**Jonghyuk Park**, Seoul (KR); **Euiju Lee**, Guri-si (KR)

(56) **References Cited**

U.S. PATENT DOCUMENTS

(73) Assignee: **Samsung Electronics Co., Ltd.**,  
Suwon-si (KR)

D453,514 S *	2/2002	Elam	.....	D14/420
D482,678 S *	11/2003	Chung	.....	D14/240
D484,497 S *	12/2003	Alviar	.....	D14/240
D534,884 S *	1/2007	Nakanishi	.....	D14/126
D597,044 S *	7/2009	Suk	.....	D14/138 AA
D610,794 S *	3/2010	Chiu	.....	D14/341
D654,049 S *	2/2012	Chung	.....	D14/138 G

(Continued)

(\*\*) Term: **15 Years**

*Primary Examiner* — Barbara Fox

(21) Appl. No.: **29/568,419**

*Assistant Examiner* — Dana K Weiland

(22) Filed: **Jun. 17, 2016**

(74) *Attorney, Agent, or Firm* — NSIP Law

(30) **Foreign Application Priority Data**

(57) **CLAIM**

Dec. 23, 2015 (KR) ..... 30-2015-0066041  
Dec. 23, 2015 (KR) ..... 30-2015-0066042

We claim the ornamental design for an electronic device, as shown and described.

(51) **LOC (11) Cl.** ..... **14-02**

**DESCRIPTION**

(52) **U.S. Cl.**

USPC ..... **D14/341**

(58) **Field of Classification Search**

USPC ..... D14/341-347, 137, 138 R, 138 AA,  
D14/138 AB, 138 C, 138 G, 496, 203.1,  
D14/203.3, 203.4, 203.7, 129, 130, 147,  
D14/218, 247, 248, 250, 385, 388, 389,  
D14/315-318, 420, 426, 435-438, 439,  
D14/440, 478-480; D21/324, 329, 330;  
D6/310

FIG. 1 is a front perspective view of an electronic device showing our new design;

FIG. 2 is a front view thereof;

FIG. 3 is a rear view thereof;

FIG. 4 is a left-side view thereof;

FIG. 5 is a right-side view thereof;

FIG. 6 is a top view thereof;

FIG. 7 is a bottom view thereof;

FIG. 8 is an enlarged view of the encircled portion in FIG. 1;

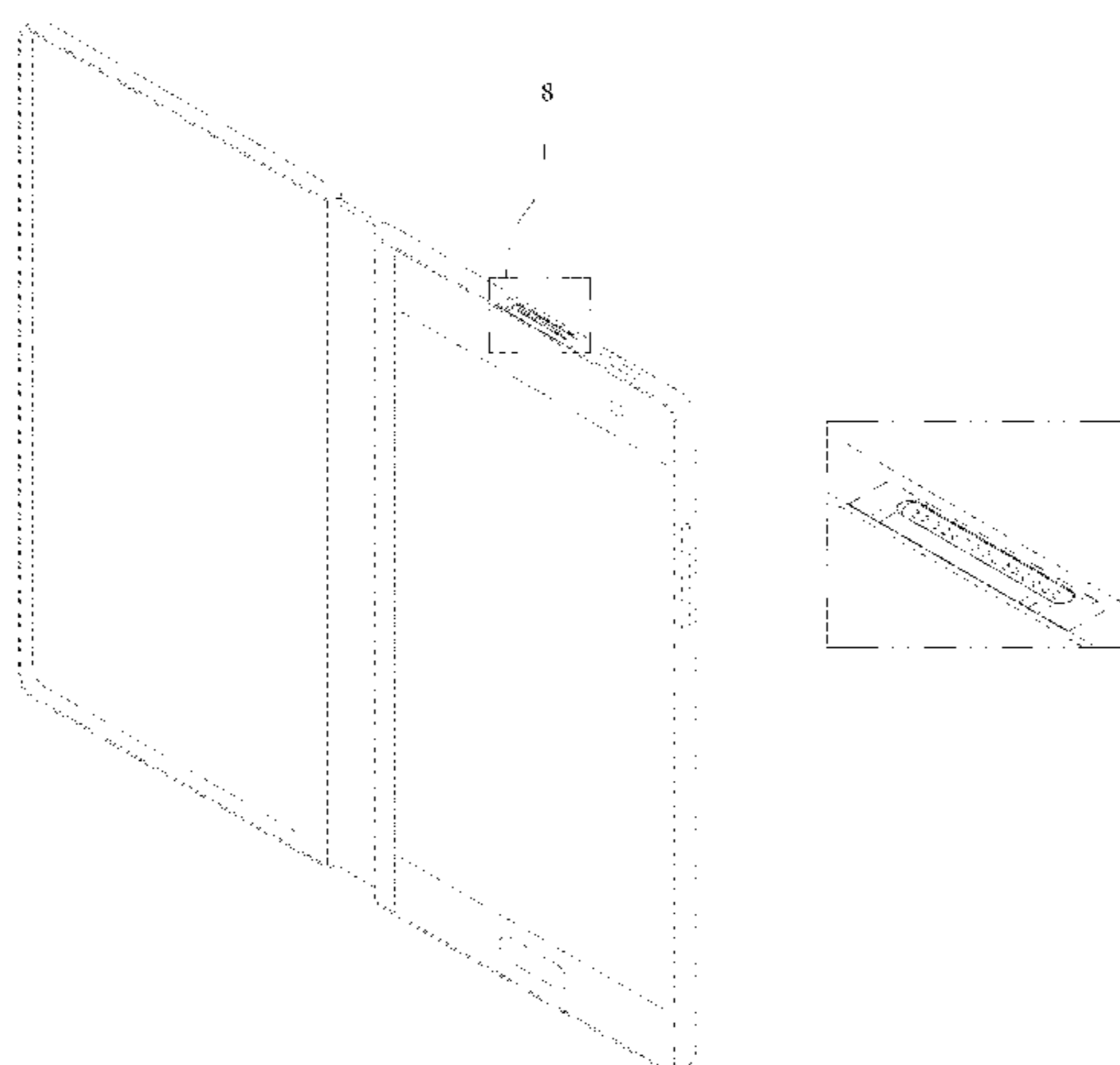
FIG. 9 is an enlarged view of the encircled portion in FIG. 6; and,

FIG. 10 is a cross-sectional view taken along line 10-10 of FIG. 9.

CPC . A63H 33/3016; G06F 1/1613; G06F 1/1647;  
G06F 1/1641; G06F 3/04883; G06F  
3/0486; G06F 3/04847; G06F 3/04845;  
G06F 3/0484; G06F 3/0488; H04M

The broken lines in the figures depict portions of the electronic device that form no part of the claimed design. The dot-dash broken lines define boundaries of the claimed design and form no part thereof.

(Continued)



The dot-dot-dash broken lines encircling portions of the claimed design that are illustrated in enlargements form no part of the claimed design.

**1 Claim, 6 Drawing Sheets**

(56) **References Cited**

U.S. PATENT DOCUMENTS

D695,249	S	*	12/2013	Kim	.....	D14/138	G
D695,250	S	*	12/2013	Kim	.....	D14/138	G
D721,063	S	*	1/2015	Chung	.....	D14/248	
D724,078	S	*	3/2015	Andre	.....	D14/341	
D745,498	S	*	12/2015	Lee	.....	D14/248	
D750,615	S	*	3/2016	Matsuoka	.....	D14/315	
D757,715	S	*	5/2016	Choi	.....	D14/341	
D761,751	S	*	7/2016	Cho	.....	D14/138	G
D761,772	S	*	7/2016	Chung	.....	D14/248	
D762,734	S	*	8/2016	Kwong	.....	D14/496	
D763,836	S	*	8/2016	Chung	.....	D14/248	
D763,847	S	*	8/2016	Lee	.....	D14/341	
D769,851	S	*	10/2016	Lee	.....	D14/248	
D773,453	S	*	12/2016	Akana	.....	D14/341	
D783,585	S	*	4/2017	Park	.....	D14/248	
D783,608	S	*	4/2017	Park	.....	D14/203.4	
D785,630	S	*	5/2017	Fujiuchi	.....	D14/420	
2008/0309511	A1	*	12/2008	Kerr	.....	G06F 1/1613	
						340/815.53	

\* cited by examiner

FIG. 1

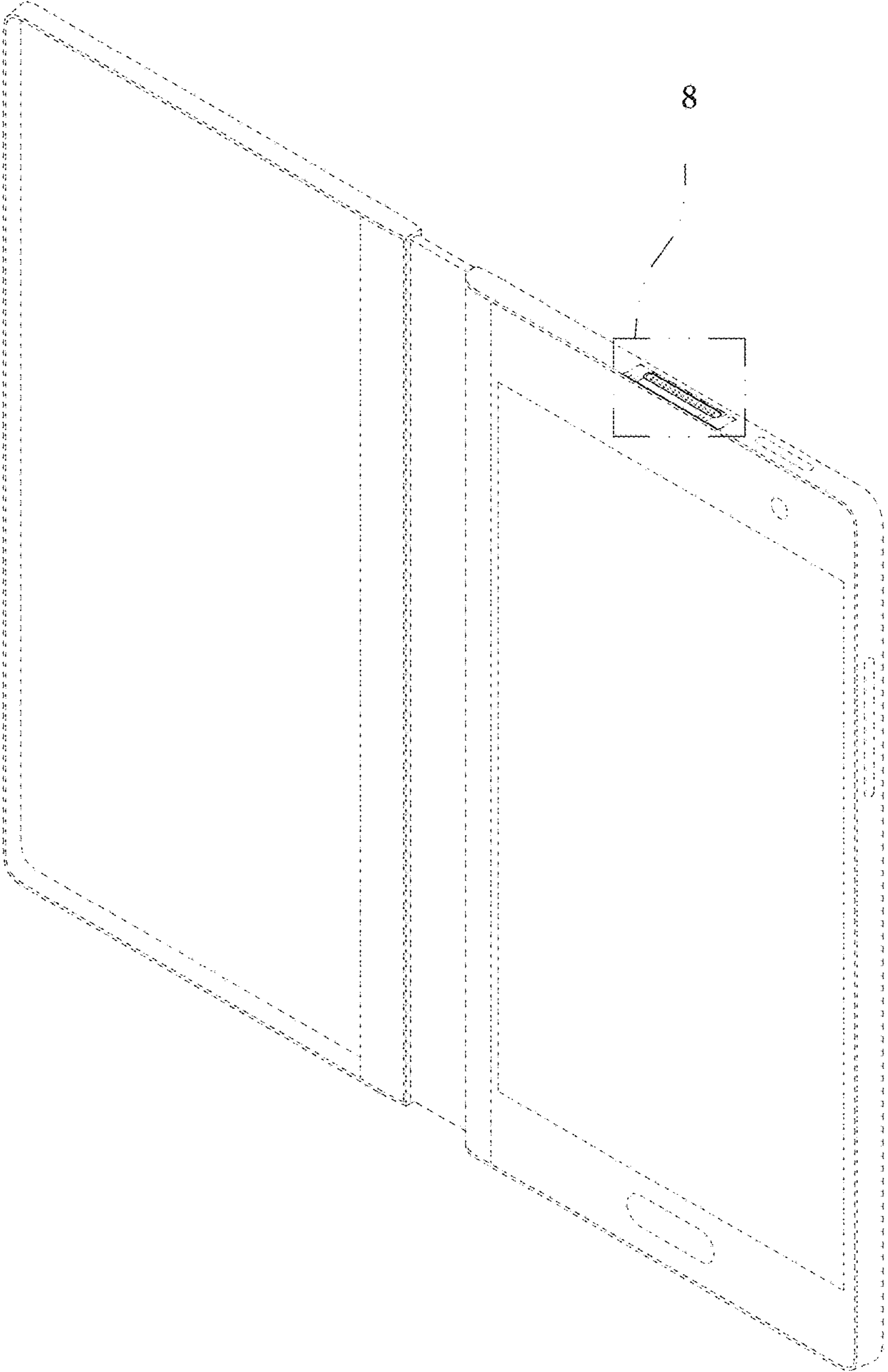


FIG. 2

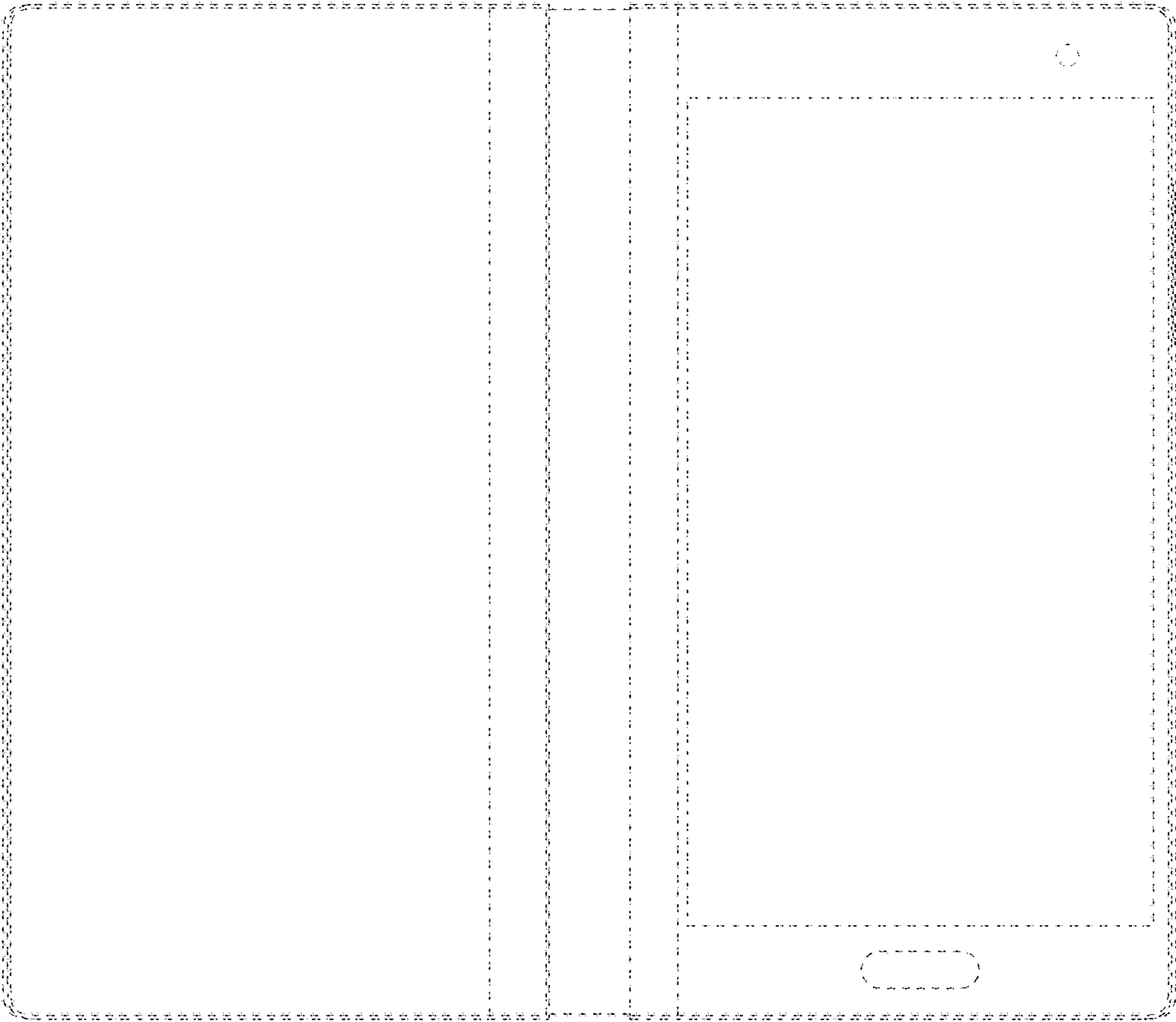


FIG. 3

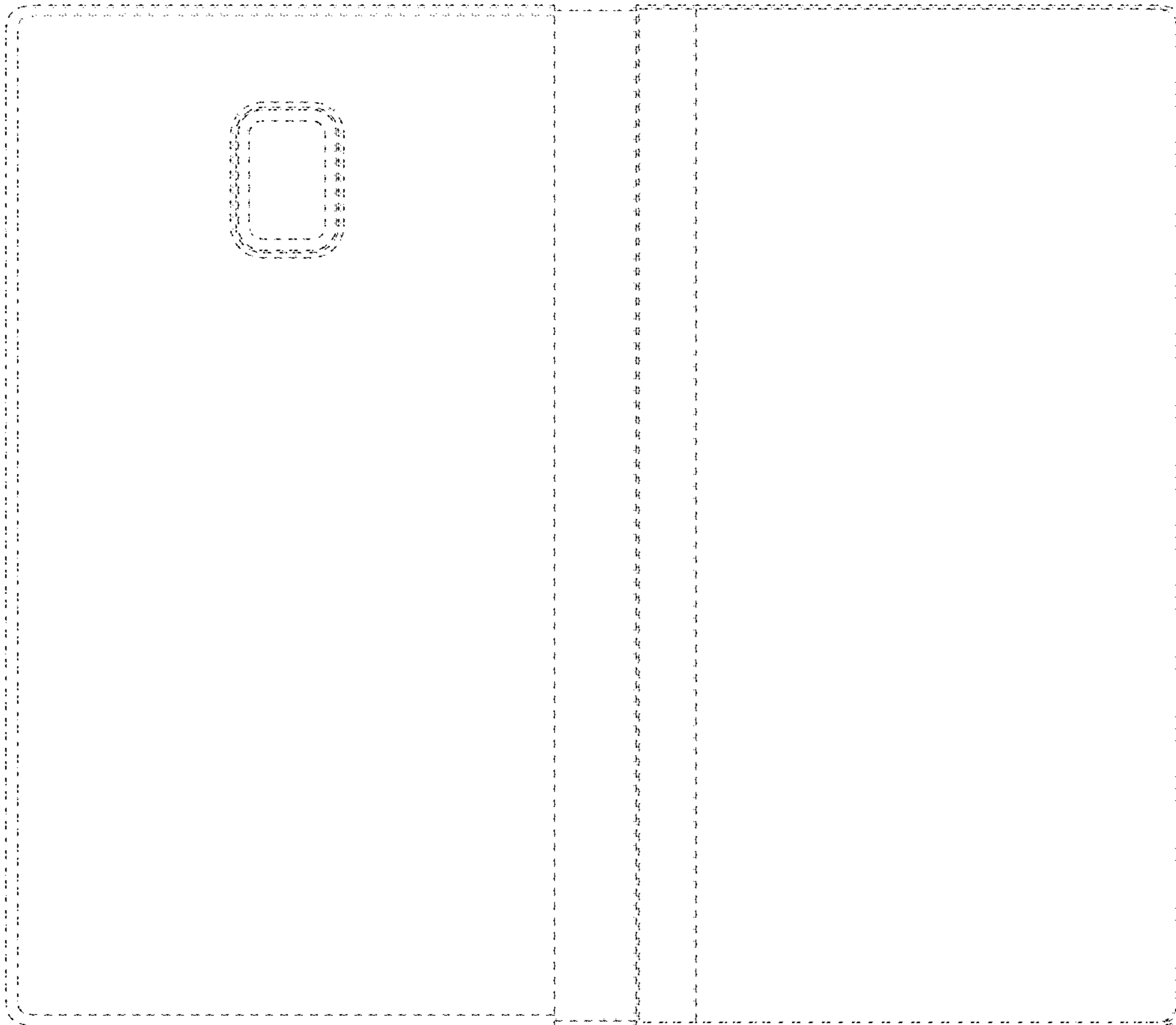


FIG. 4



FIG. 5

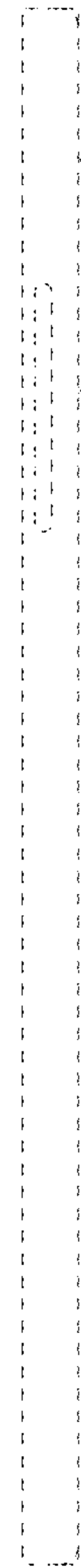


FIG. 6

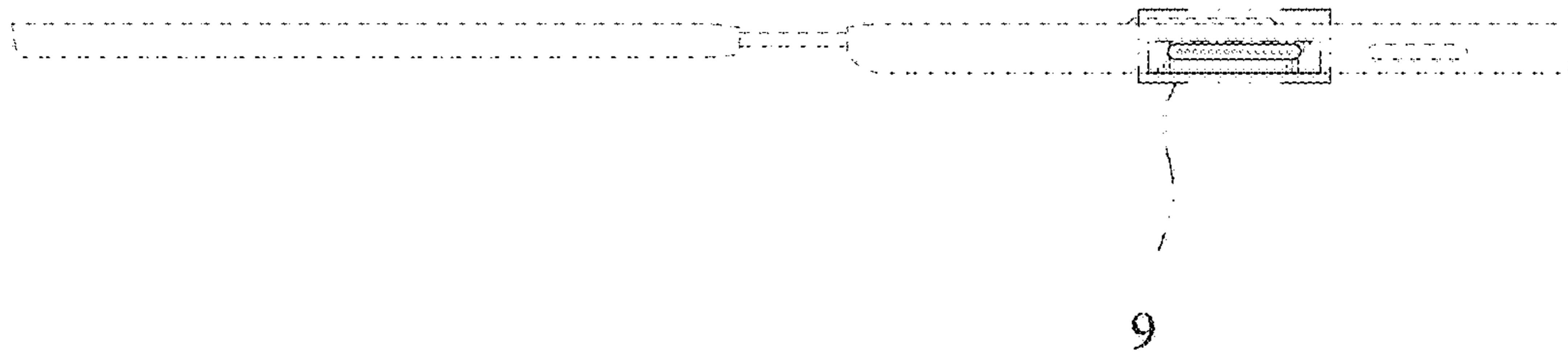


FIG. 7



FIG. 8

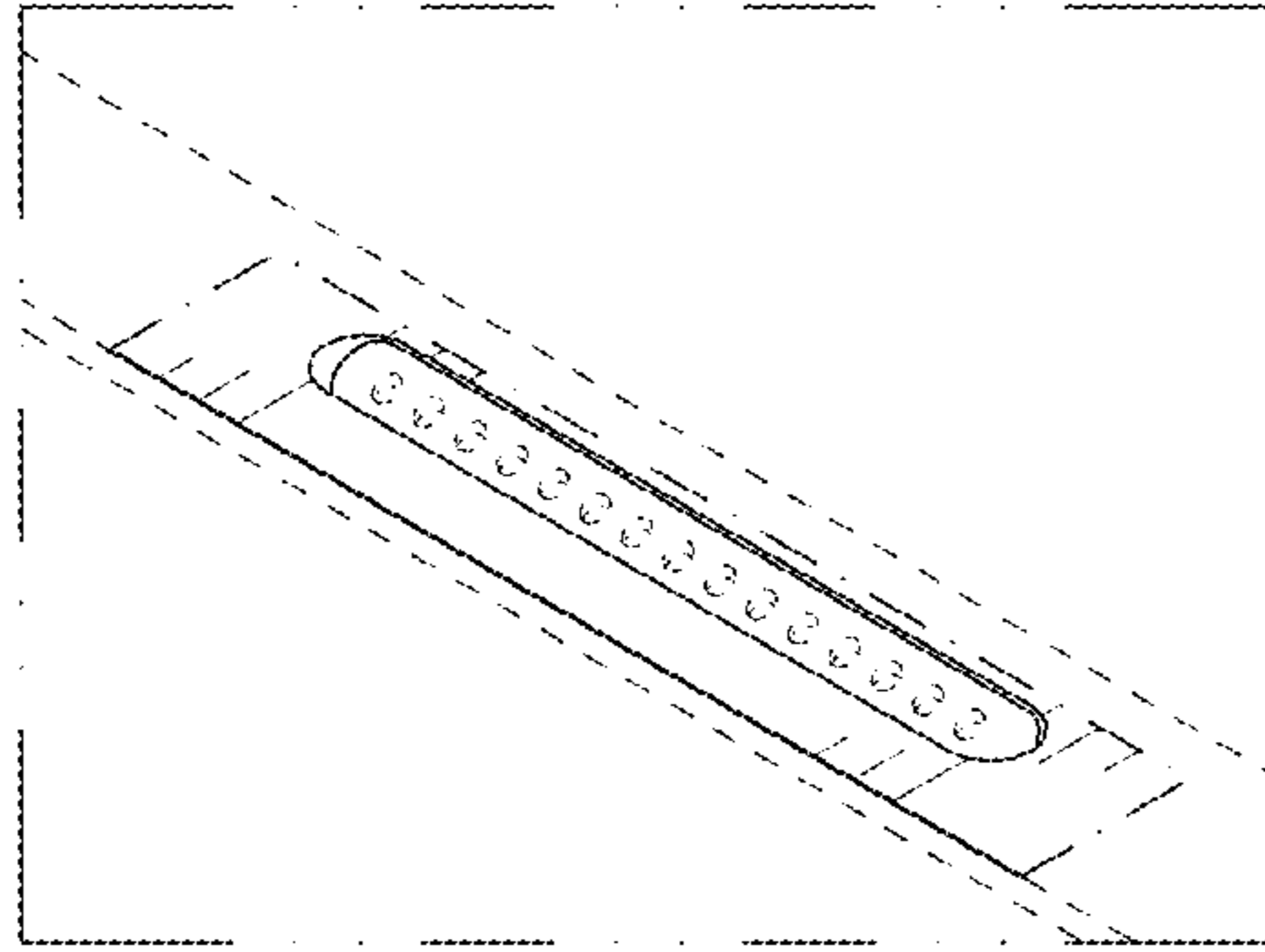


FIG. 9

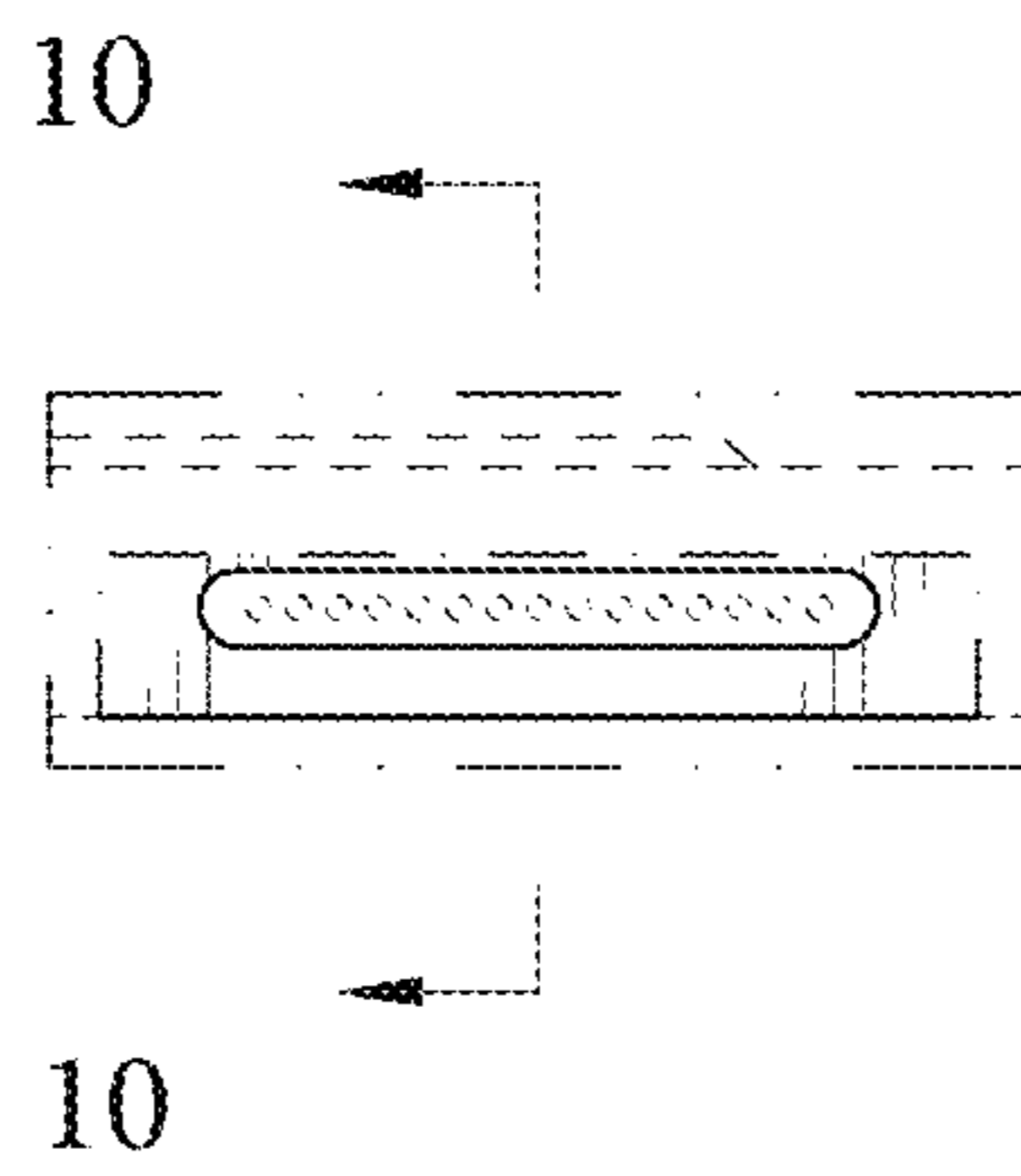


FIG. 10

