



US00D810072S

(12) **United States Design Patent** (10) **Patent No.:** **US D810,072 S**
Akana et al. (45) **Date of Patent:** **** Feb. 13, 2018**

(54) **ELECTRONIC DEVICE WITH GRAPHICAL USER INTERFACE**

(71) Applicant: **Apple Inc.**, Cupertino, CA (US)

(72) Inventors: **Jody Akana**, San Francisco, CA (US); **Bartley K. Andre**, Palo Alto, CA (US); **Jeremy Bataillou**, San Francisco, CA (US); **Jesse Boettcher**, San Jose, CA (US); **Daniel J. Coster**, San Francisco, CA (US); **Anton Davydov**, Gilroy, CA (US); **Daniele De Iuliis**, San Francisco, CA (US); **M. Evans Hankey**, San Francisco, CA (US); **Julian Hoenig**, San Francisco, CA (US); **Richard P. Howarth**, San Francisco, CA (US); **Jonathan P. Ive**, San Francisco, CA (US); **Duncan Robert Kerr**, San Francisco, CA (US); **Shin Nishibori**, Kailua, HI (US); **Matthew Dean Rohrbach**, San Francisco, CA (US); **Peter Russell-Clarke**, San Francisco, CA (US); **Mikael Silvano**, San Francisco, CA (US); **Christopher J. Stringer**, Woodside, CA (US); **Eugene Antony Whang**, San Francisco, CA (US); **Rico Zörkendörfer**, San Francisco, CA (US)

(73) Assignee: **Apple Inc.**, Cupertino, CA (US)

(**) Term: **14 Years**

(21) Appl. No.: **29/492,326**

(22) Filed: **May 30, 2014**

Related U.S. Application Data

(63) Continuation of application No. 29/431,859, filed on Sep. 11, 2012, now Pat. No. Des. 706,301.

(51) **LOC (11) Cl.** **14-02**

(52) **U.S. Cl.**
USPC **D14/341**

(58) **Field of Classification Search**

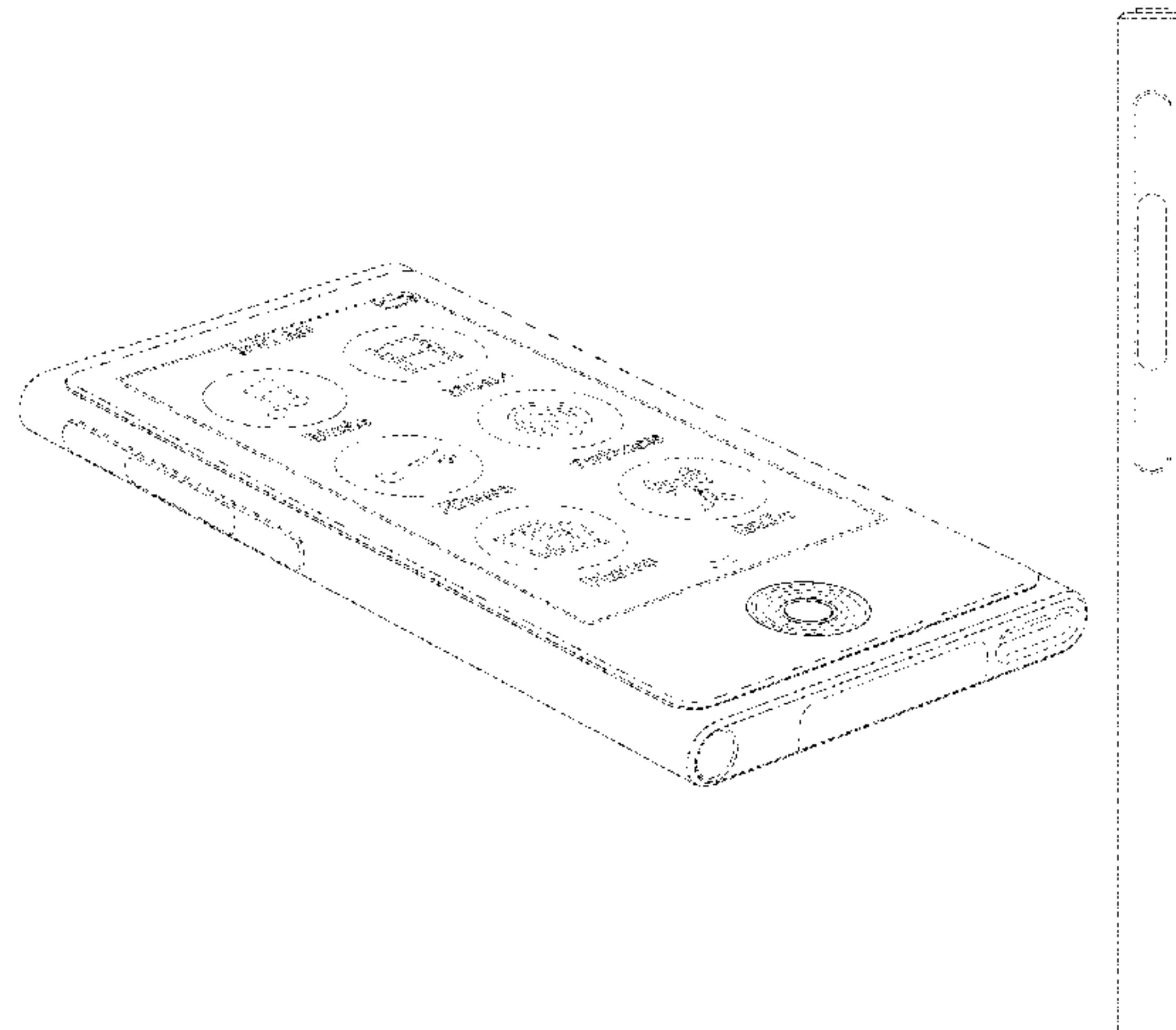
USPC D14/341-347, 137, 138 AA, 138 R, D14/138 C, 138 G, 496, 203.1, 203.3, D14/203.4, 203.7, 129, 130, 420, 426, D14/147, 218, 247-248, 389, 388, D14/315-318, 486, 488, 489; D10/65, D10/104.1; D18/6-7; D21/324, 329, D21/330; 455/556.1, 556.2, 566, 575.1, 455/90.3; 379/433.04, 433.01, 433.06, 379/916; 345/173, 901, 905; 361/679.26, 679.27, 679.3, 679.55, 361/679.56, 680-686; 248/917-924; 348/373, 376; D19/60

See application file for complete search history.

(56) **References Cited**

U.S. PATENT DOCUMENTS

4,165,554 A	8/1979	Faget	
D270,062 S	8/1983	Ackeret	
D366,875 S *	2/1996	Kakizaki	D14/218
D403,667 S *	1/1999	Musha	D14/347
D428,399 S	7/2000	Kahn et al.	
6,122,526 A	9/2000	Parulski et al.	
D441,735 S	5/2001	Katayama	
D462,560 S *	9/2002	Myers	D6/407
D480,401 S	10/2003	Kahn et al.	
D500,309 S	12/2004	Borsboom	
D503,409 S	3/2005	Wong et al.	
D506,474 S	6/2005	Gildred	
D507,577 S	7/2005	Totten et al.	
D513,611 S	1/2006	Hibi	
D516,579 S	3/2006	Nakamura	
D539,814 S	4/2007	Andre et al.	
D540,340 S	4/2007	Cummins	
D543,987 S	6/2007	Rimas-Ribikauskas et al.	
D550,654 S *	9/2007	Miyawaki	D14/218
D551,215 S	9/2007	Lee, Jr. et al.	
D559,262 S	1/2008	Young	
D562,285 S	2/2008	Lim	
D565,596 S	4/2008	Kim	
D568,338 S	5/2008	Andre et al.	
D570,876 S	6/2008	Lee	
D572,698 S *	7/2008	Kim	D14/138 AA
D575,304 S	8/2008	Andre et al.	
D576,990 S *	9/2008	Han	D14/138 AA
D584,739 S *	1/2009	Ahlgren	D14/496
D585,077 S	1/2009	Sheba et al.	
D588,610 S	3/2009	Andre et al.	



D589,510 S	3/2009	Wada	
D593,132 S	5/2009	Kim	
D595,339 S	6/2009	Oas	
D597,101 S	7/2009	Chaudhri et al.	
D597,558 S	8/2009	Andre et al.	
D604,305 S	11/2009	Anzures et al.	
D604,713 S	11/2009	Andre et al.	
D606,129 S	12/2009	Ben-Moshe	
D606,546 S	* 12/2009	Morooka	D14/439
D608,638 S	* 1/2010	Pontes	D9/446
D611,470 S	3/2010	Andre et al.	
D611,498 S	3/2010	Alvarez	
D613,739 S	* 4/2010	Wood	D14/346
D616,872 S	6/2010	Stoddard et al.	
D617,334 S	6/2010	Chaudhri	
D619,593 S	7/2010	Fujioka et al.	
D622,696 S	8/2010	Akana et al.	
D627,476 S	* 11/2010	Gaw	D24/186
D627,790 S	11/2010	Chaudhri	
D631,032 S	1/2011	Lee	
D631,458 S	1/2011	Liao et al.	
D634,317 S	3/2011	Buckle et al.	
D636,752 S	4/2011	Liao et al.	
D638,030 S	5/2011	Akana et al.	
D642,588 S	8/2011	Anzures	
D644,239 S	8/2011	Anzures	
8,046,032 B2	* 10/2011	Babella	G06F 1/1626 345/169
D647,918 S	* 11/2011	Ledbetter	D14/203.3
D650,392 S	12/2011	Glezer et al.	
D650,393 S	12/2011	Doll	
D652,403 S	1/2012	Fahlgren et al.	
D652,426 S	1/2012	Anzures	
D656,955 S	4/2012	Akana et al.	
8,155,505 B2	4/2012	Lemay et al.	
D658,621 S	5/2012	Lylyk	
D658,679 S	5/2012	Davydov et al.	
D659,158 S	5/2012	Clymer	
D661,701 S	6/2012	Brown et al.	
D664,111 S	* 7/2012	Ismail	D14/137
D667,387 S	9/2012	Andre et al.	
D668,263 S	10/2012	Jobs et al.	
D670,723 S	11/2012	Khan et al.	
D671,139 S	11/2012	Arnold et al.	
D671,140 S	11/2012	Guss et al.	
D672,329 S	12/2012	Fahlgren et al.	
D672,336 S	12/2012	Lister et al.	
D672,741 S	12/2012	Lylyk	
D673,926 S	1/2013	Fahlgren et al.	
D675,176 S	1/2013	Aarras	
D677,688 S	3/2013	Woo	
D680,130 S	4/2013	Khan et al.	
D681,056 S	4/2013	Akana et al.	
D682,289 S	5/2013	Dijulio et al.	
D682,291 S	5/2013	Baek et al.	
D690,311 S	9/2013	Waldman	
D692,450 S	* 10/2013	Convay	D14/486
D694,658 S	* 12/2013	Avidor	D10/65
D696,265 S	* 12/2013	d'Amore	D14/485
D706,300 S	6/2014	Akana et al.	
D706,301 S	6/2014	Akana et al.	
D706,303 S	* 6/2014	Woo	D14/203.1
D717,823 S	* 11/2014	Brotman	D14/486
D718,271 S	* 11/2014	McTague	D14/203.1
D721,380 S	* 1/2015	Pereira	D14/485
D721,381 S	* 1/2015	Pereira	D14/485
D722,116 S	* 2/2015	Gottschalk	D21/332
D723,058 S	* 2/2015	Matsuda	D14/490
D724,060 S	* 3/2015	Ahn	D14/218
D725,134 S	* 3/2015	Boettcher	D14/486
2007/0067738 A1	3/2007	Flynt et al.	
2009/0061837 A1*	3/2009	Chaudhri	G06F 3/0481 455/418
2009/0089675 A1*	4/2009	Han	H04N 5/4403 715/716
2011/0167369 A1	7/2011	van Os	
2012/0036435 A1	2/2012	Yang et al.	
2012/0311472 A1*	12/2012	Kim	G06F 3/0482 715/765

2014/0304616 A1*	10/2014	Park	H04L 51/24 715/752
2014/0351744 A1*	11/2014	Jeon	G06F 3/0482 715/781
2014/0362105 A1*	12/2014	Kocienda	G09G 5/02 345/600
2014/0365919 A1*	12/2014	Shaw	G06F 3/048 715/753

FOREIGN PATENT DOCUMENTS

CN	3513646 D	3/2006
CN	3543434 D	7/2006
CN	3562517 D	9/2006
CN	300738882	1/2008
EM	000920087-0001	5/2007
EM	000771464-0002	8/2007
EM	001076921-0016	3/2009
EM	001704248-0001	6/2010
EM	001248926-0014	2/2011
EM	001230395-0004	3/2011
EM	001284566-0002	7/2011
EM	001951625-0005	11/2011
EM	001328215-0001	12/2011
EM	001961954-0001	12/2011
EM	001328215-0002	6/2012
EM	002065342-0037	7/2012
EM	001340004-0002	8/2012

OTHER PUBLICATIONS

U.S. Appl. No. 29/366,393, filed Jul. 23, 2010.
 U.S. Appl. No. 29/432,492, filed Sep. 15, 2012.
 U.S. Appl. No. 29/417,012, filed Mar. 29, 2012.
 U.S. Appl. No. 29/417,307, filed Apr. 2, 2012.
 U.S. Appl. No. 29/492,325, filed May 30, 2014.
 Saytes.es, "Saytes: Tecnologia sumergible," (<http://www.saytes.es/product.sub.--info.php?products.sub.--id=494>), retrieved Feb. 18, 2009, 1 page.
 Registered Trademark Serial No. 77303282, Apple Inc., first used Jun. 29, 2007.
 Registered Trademark Serial No. 77218458, Apple Inc., first used Jun. 29, 2007.
 Registered Trademark Serial No. 77303049, Apple Inc., first used Jan. 9, 2007.
 Registered Trademark Serial No. 85040770, Apple Inc., filed May 17, 2010.
 Registered Trademark Serial No. 85065521, Apple Inc., first used Jun. 29, 2007.
 Registered Trademark Serial No. 85128276, Apple Inc., first used Sep. 1, 2010.
 Registered Trademark Serial No. 85128460, Apple Inc., first used Sep. 1, 2010.
 U.S. Appl. No. 29/280,925, filed Jun. 8, 2007(not published).
 U.S. Appl. No. 29/281,507, filed Jun. 25, 2007 (not published).
 U.S. Appl. No. 29/281,695, filed Jun. 28, 2007 (not published).
 U.S. Appl. No. 29/284,263, filed Sep. 4, 2007 (not published).
 U.S. Appl. No. 29/368,904, filed Aug. 31, 2010 (not published).
 U.S. Appl. No. 29/405,794, filed Nov. 7, 2011 (not published).

* cited by examiner

Primary Examiner — Barbara Fox
 (74) *Attorney, Agent, or Firm* — Sterne, Kessler, Goldstein & Fox P.L.L.C.

(57) **CLAIM**

The ornamental design for an electronic device with graphical user interface, as shown and described.

DESCRIPTION

FIG. 1 is a bottom front perspective view of an electronic device with graphical user interface showing the claimed design;

FIG. 2 is a bottom rear perspective view thereof;
FIG. 3 is a top front perspective view thereof;
FIG. 4 is a top rear perspective view thereof;
FIG. 5 is a front view thereof;
FIG. 6 is a rear view thereof;
FIG. 7 is a top view thereof;
FIG. 8 is a bottom view thereof;
FIG. 9 is a left side view thereof; and,
FIG. 10 is a right side view thereof.

The dashed broken lines in the figures show portions of the electronic device with graphical user interface and portions of the graphical user interface that form no part of the claimed design. The dot-dash broken lines show boundaries that form no part of the claimed design.

1 Claim, 6 Drawing Sheets

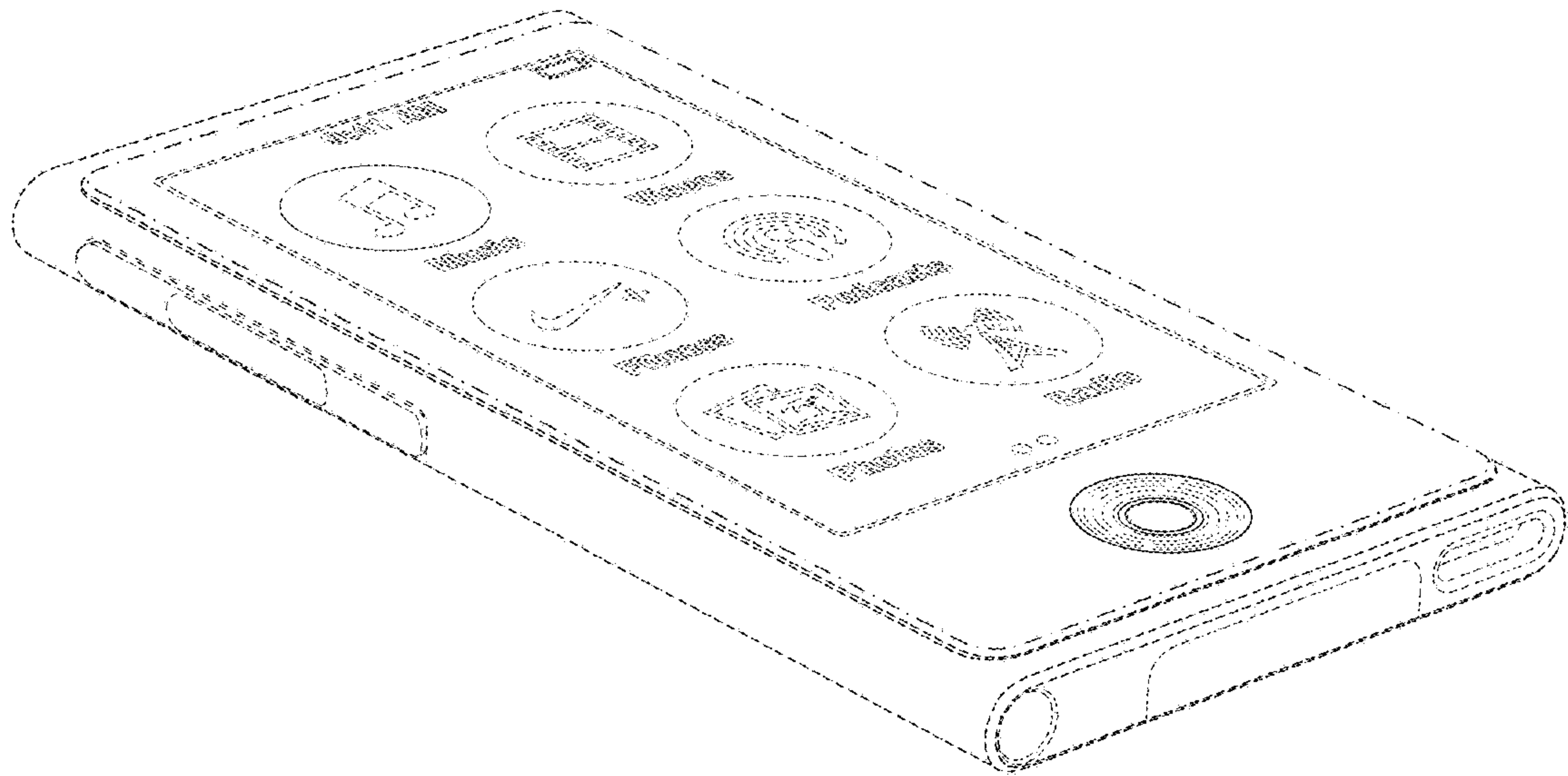


FIG. 1

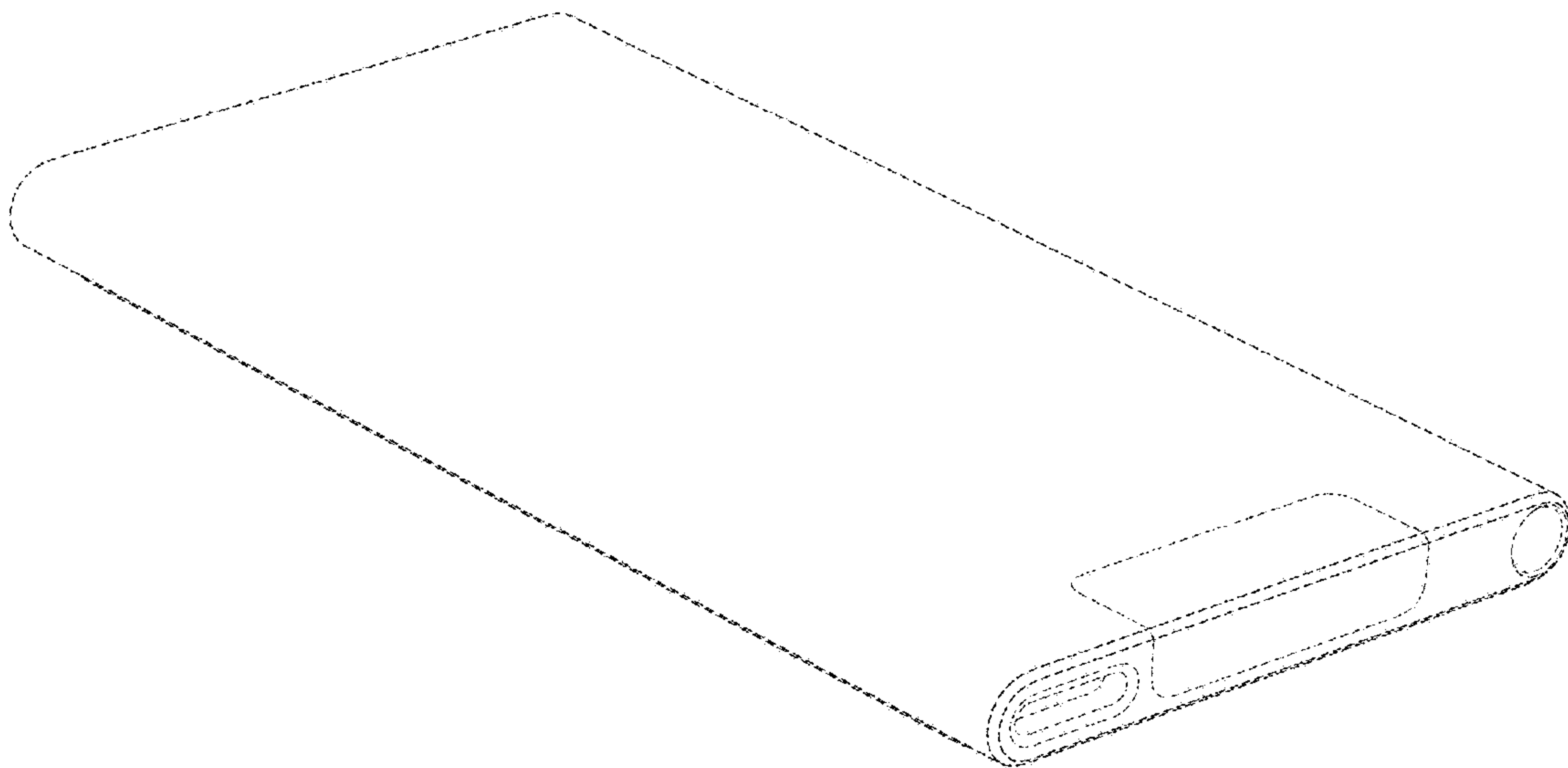


FIG. 2

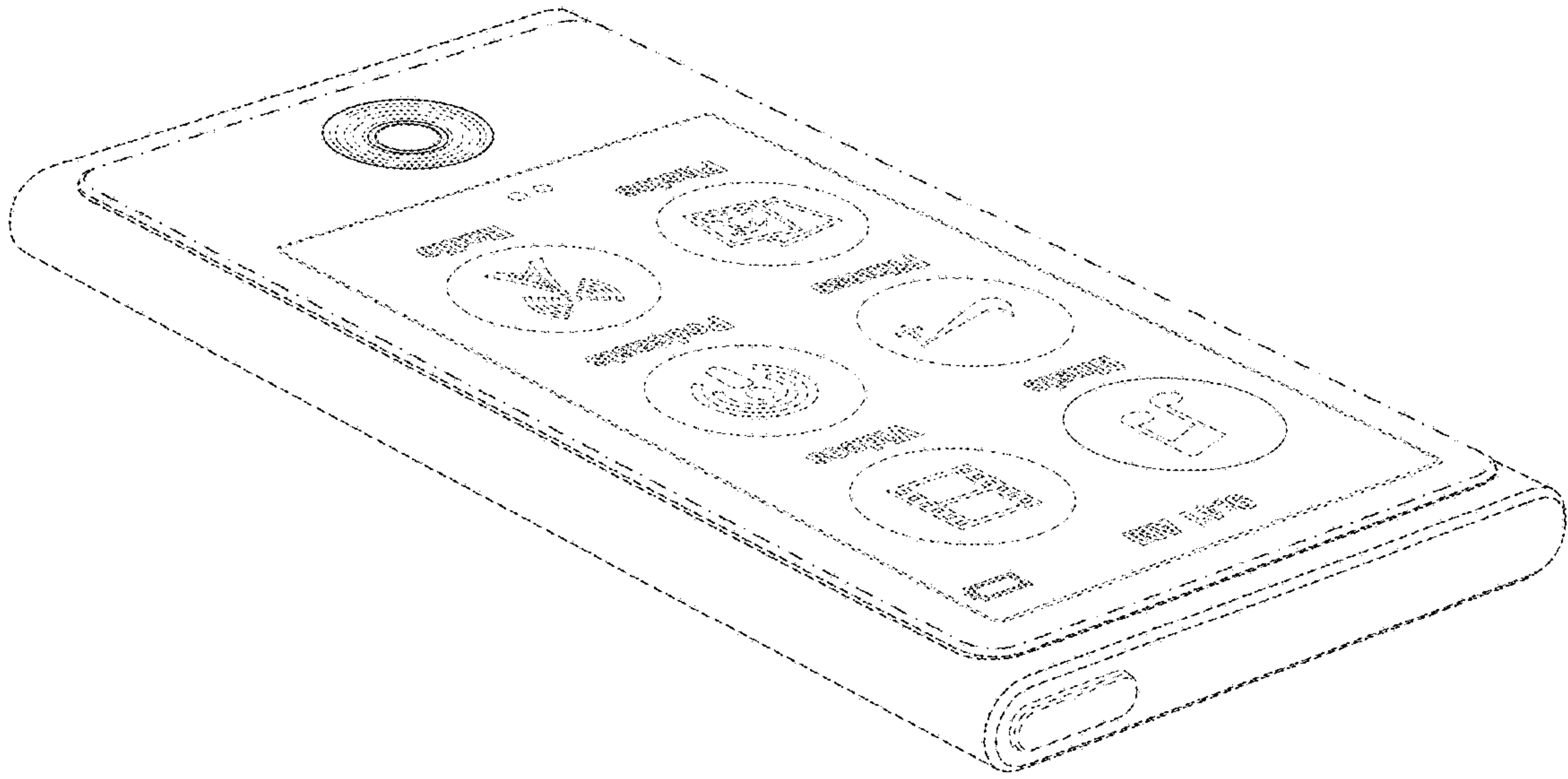


FIG. 3

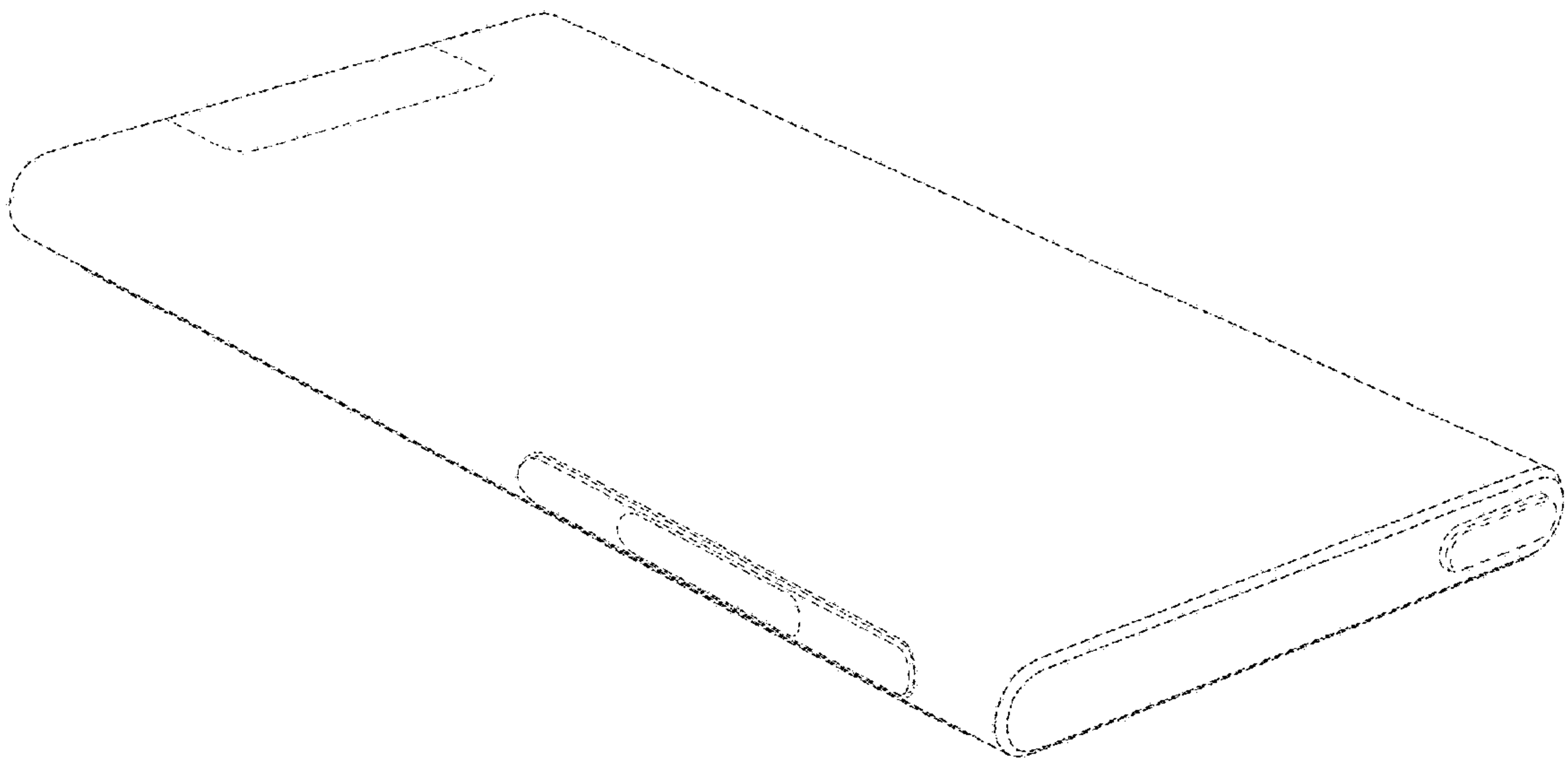


FIG. 4

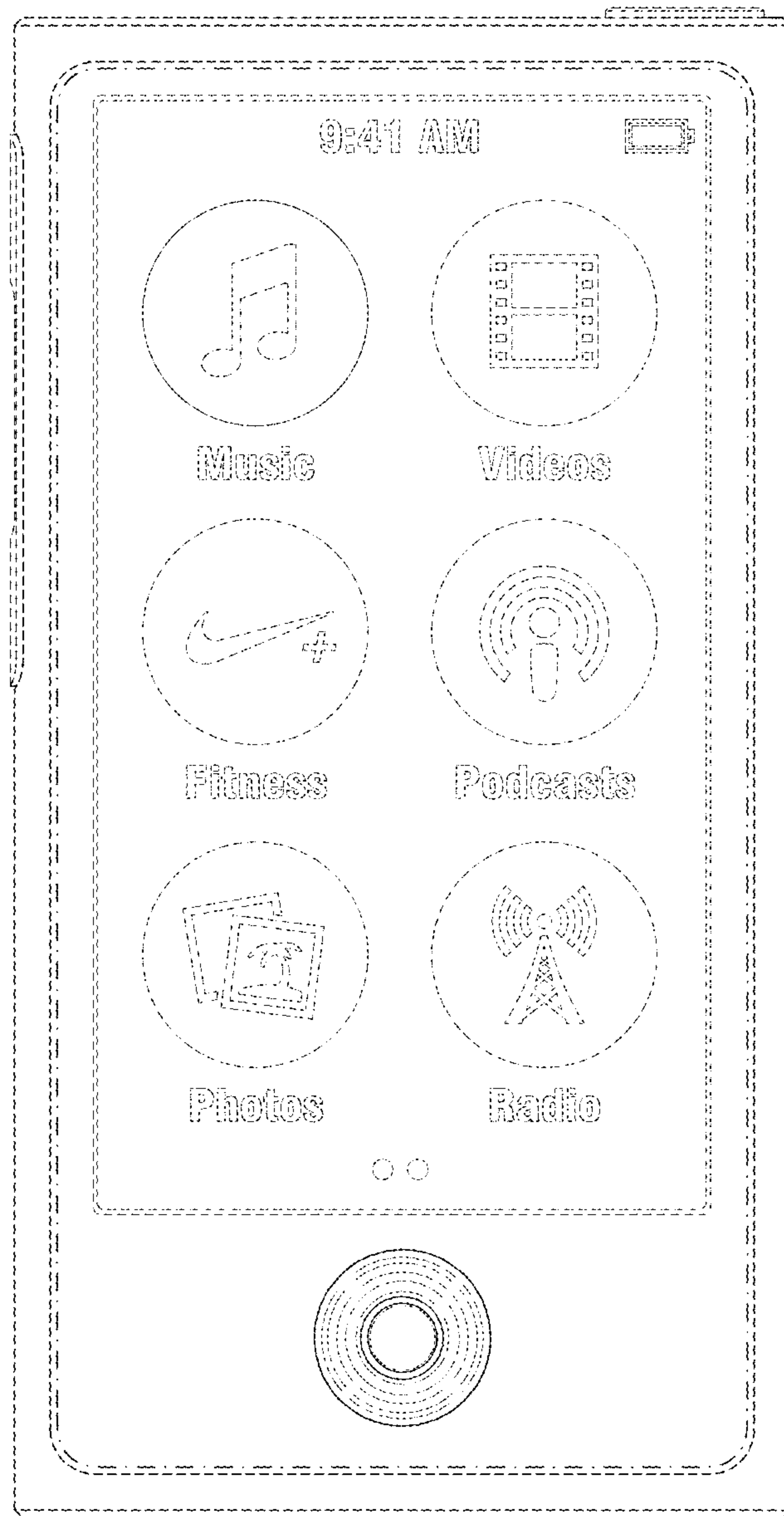


FIG. 5

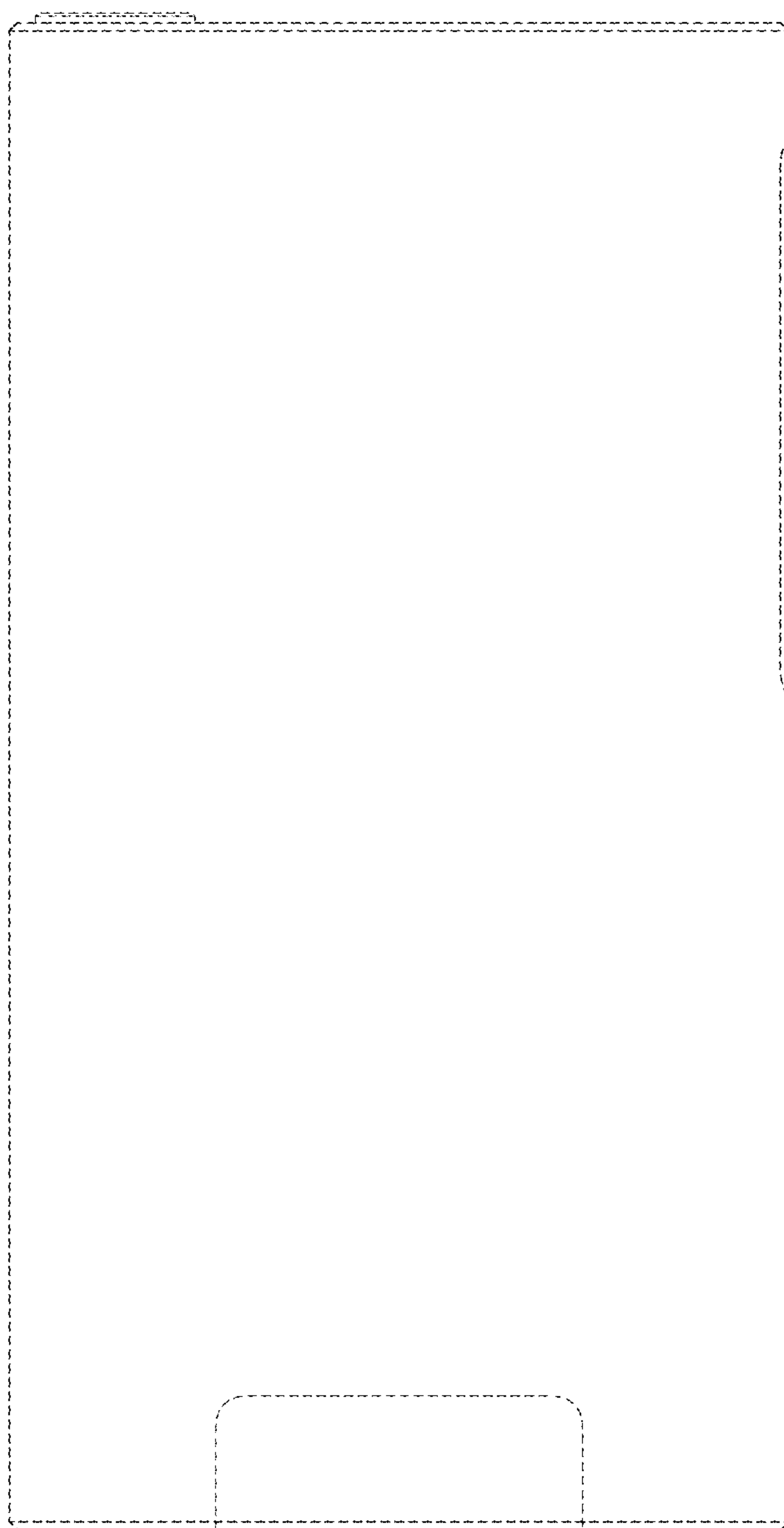


FIG. 6

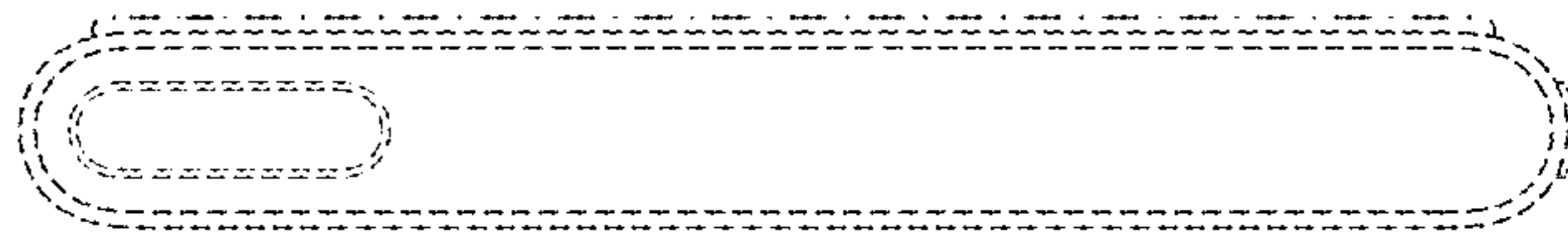


FIG. 7

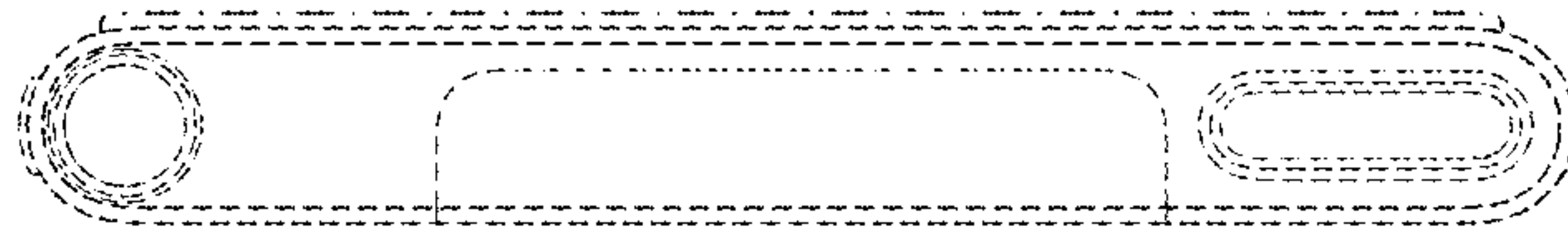


FIG. 8

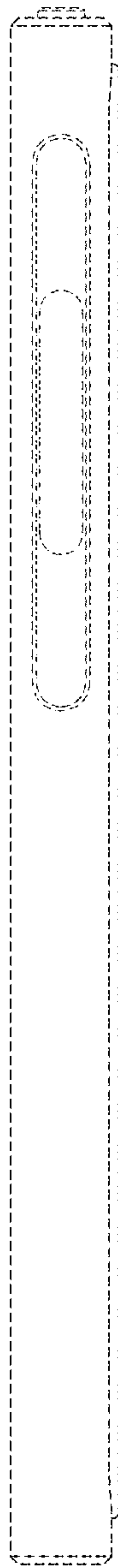


FIG. 9

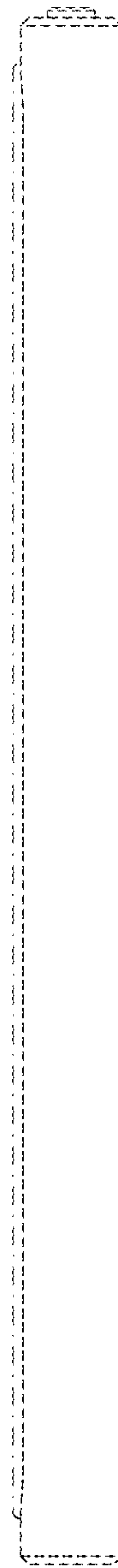


FIG. 10