



US00D810067S

(12) **United States Design Patent**
Lee et al.

(10) **Patent No.:** **US D810,067 S**
(45) **Date of Patent:** **** Feb. 13, 2018**

(54) **COVER FOR MOBILE PHONE**

(71) Applicant: **Samsung Electronics Co., Ltd.**,
Suwon-si (KR)

(72) Inventors: **Jin-Hoo Lee**, Seoul (KR); **Kiseong Kim**, Gwangmyeong-si (KR)

(73) Assignee: **SAMSUNG ELECTRONICS CO., LTD.**, Suwon-si (KR)

(**) Term: **15 Years**

(21) Appl. No.: **29/577,831**

(22) Filed: **Sep. 15, 2016**

(30) **Foreign Application Priority Data**

Apr. 14, 2016 (KR) 30-2016-0017740
Jun. 2, 2016 (KR) 30-2016-0026807

(51) **LOC (11) Cl.** **14-03**

(52) **U.S. Cl.**
USPC **D14/250**

(58) **Field of Classification Search**
USPC D14/248, 439, 203.3–203.7, 217, 240,
D14/447, 251–253, 238.1, 250, 440;
D3/201, 218, 247, 269, 273, 301, 303;
D13/103, 107–108, 119
CPC H04B 1/3888; H04M 1/0283;
H04M 1/0202; A45C 1/06; A45C
2011/002; A45C 11/00; A45C 13/02;
A45F 2005/026; A45F 2200/0525; A45F
2200/0516
See application file for complete search history.

8,186,508 B2 * 5/2012 Fan A45C 11/00
206/320

8,230,992 B2 * 7/2012 Law G06F 1/1626
206/320

D677,668 S * 3/2013 Phillips D14/440

D691,144 S * 10/2013 Peters D14/440

D698,773 S * 2/2014 Wildner D14/250

(Continued)

Primary Examiner — Carla J Wright
(74) *Attorney, Agent, or Firm* — McAndrews Held & Malloy, Ltd.

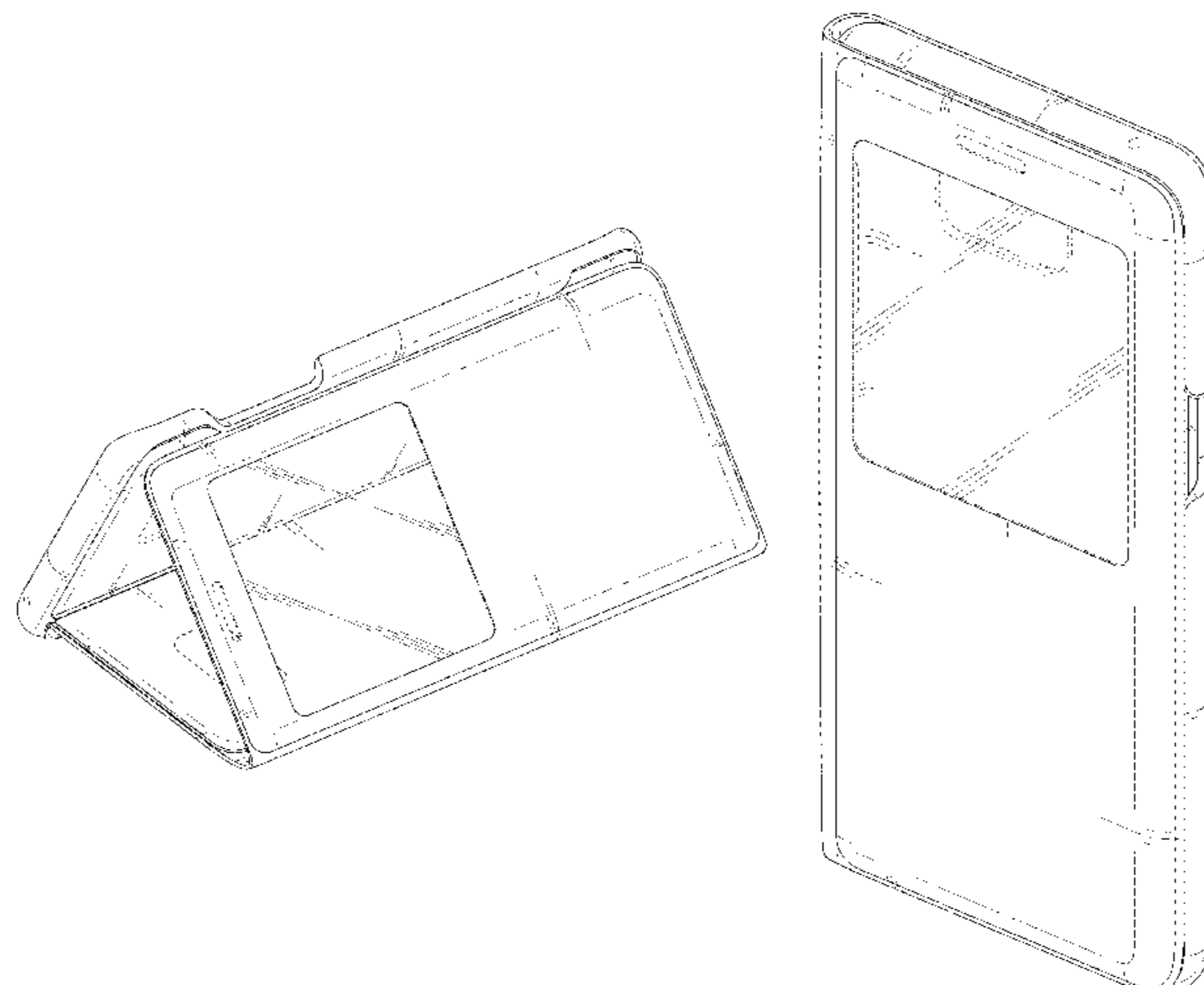
(57) **CLAIM**

The ornamental design for a cover for mobile phone, as shown and described.

DESCRIPTION

FIG. 1 is a front perspective view of a cover for mobile phone showing our new design in a stand configuration; FIG. 2 is a front elevation view thereof; FIG. 3 is a rear elevation view thereof; FIG. 4 is a left side elevation view thereof; FIG. 5 is a right side elevation view thereof; FIG. 6 is a top plan view thereof; FIG. 7 is a bottom plan view thereof; FIG. 8 is a rear perspective view thereof; FIG. 9 is a front perspective view of a cover for mobile phone showing our new design in a closed configuration; FIG. 10 is a front elevation view thereof; FIG. 11 is a rear elevation view thereof; FIG. 12 is a left side elevation view thereof; FIG. 13 is a right side elevation view thereof; FIG. 14 is a top plan view thereof; FIG. 15 is a bottom plan view thereof; and, FIG. 16 is a rear perspective view thereof. The broken lines in the drawings represent portions of the cover for mobile phone that form no part of the claimed design.

1 Claim, 11 Drawing Sheets



(56)

References Cited

U.S. PATENT DOCUMENTS

D704,689	S *	5/2014	Chang	D14/250
D705,207	S *	5/2014	Kim	D14/250
D711,861	S *	8/2014	Mei	D14/250
D720,756	S *	1/2015	Stavrakakis	D14/440
D728,581	S *	5/2015	Feinberg	D14/447
D737,276	S *	8/2015	Armstrong	D14/440
D744,493	S *	12/2015	Kim	D14/440
D747,705	S *	1/2016	Kim	D14/250
D756,980	S *	5/2016	Beeman	D14/250
D765,630	S *	9/2016	Harata	D14/250
D777,718	S *	1/2017	Lee	D14/250
D781,278	S *	3/2017	Kim	D14/250
D789,342	S *	6/2017	Sirichai	D14/250
D794,009	S *	8/2017	Lee	D14/250
2007/0221811	A1 *	9/2007	Hauser	A47F 23/043 248/454
2008/0302687	A1 *	12/2008	Sirichai	A45F 5/02 206/320
2013/0140203	A1 *	6/2013	Chiang	G06F 1/1628 206/320

* cited by examiner

FIG. 1

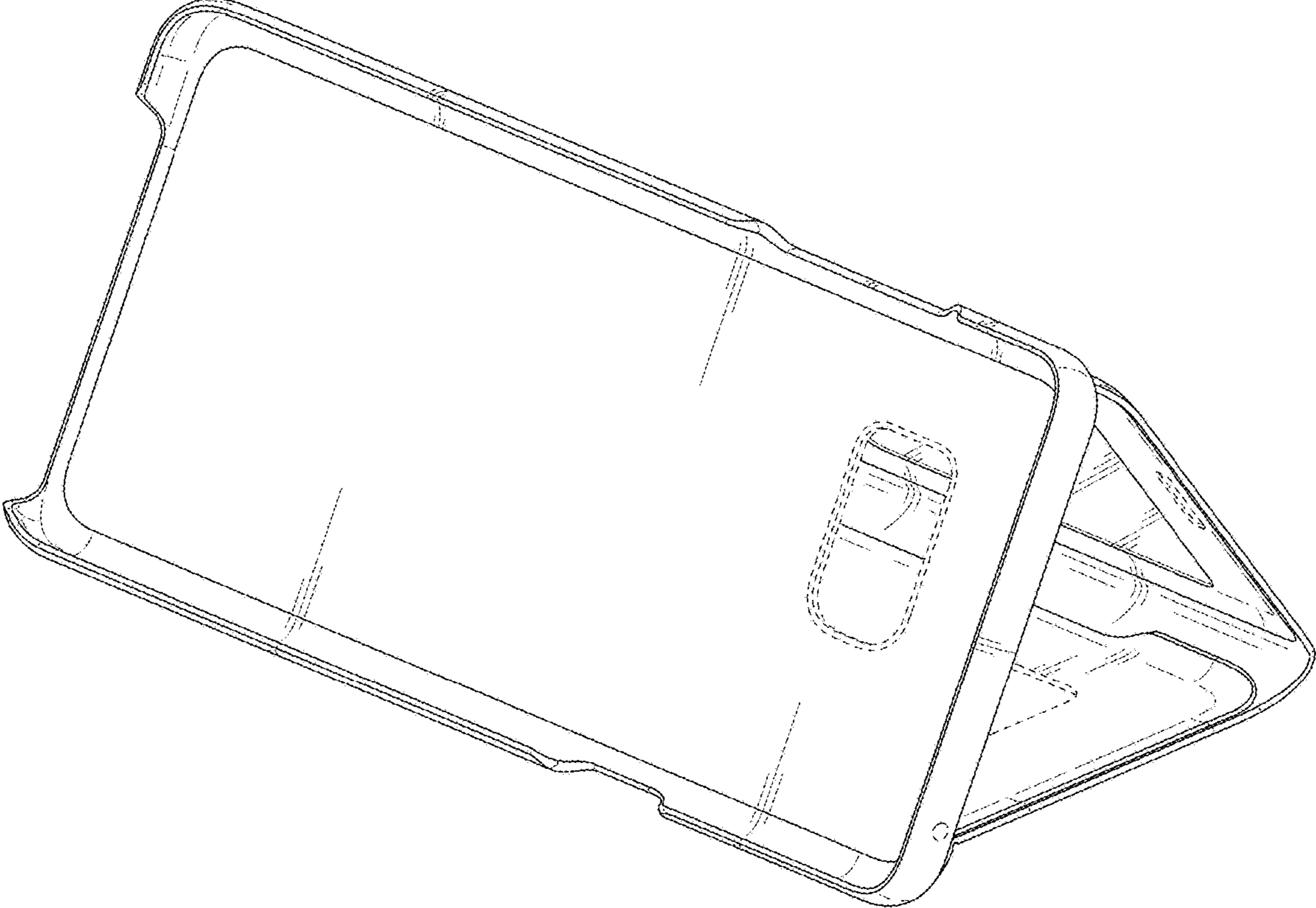


FIG. 2

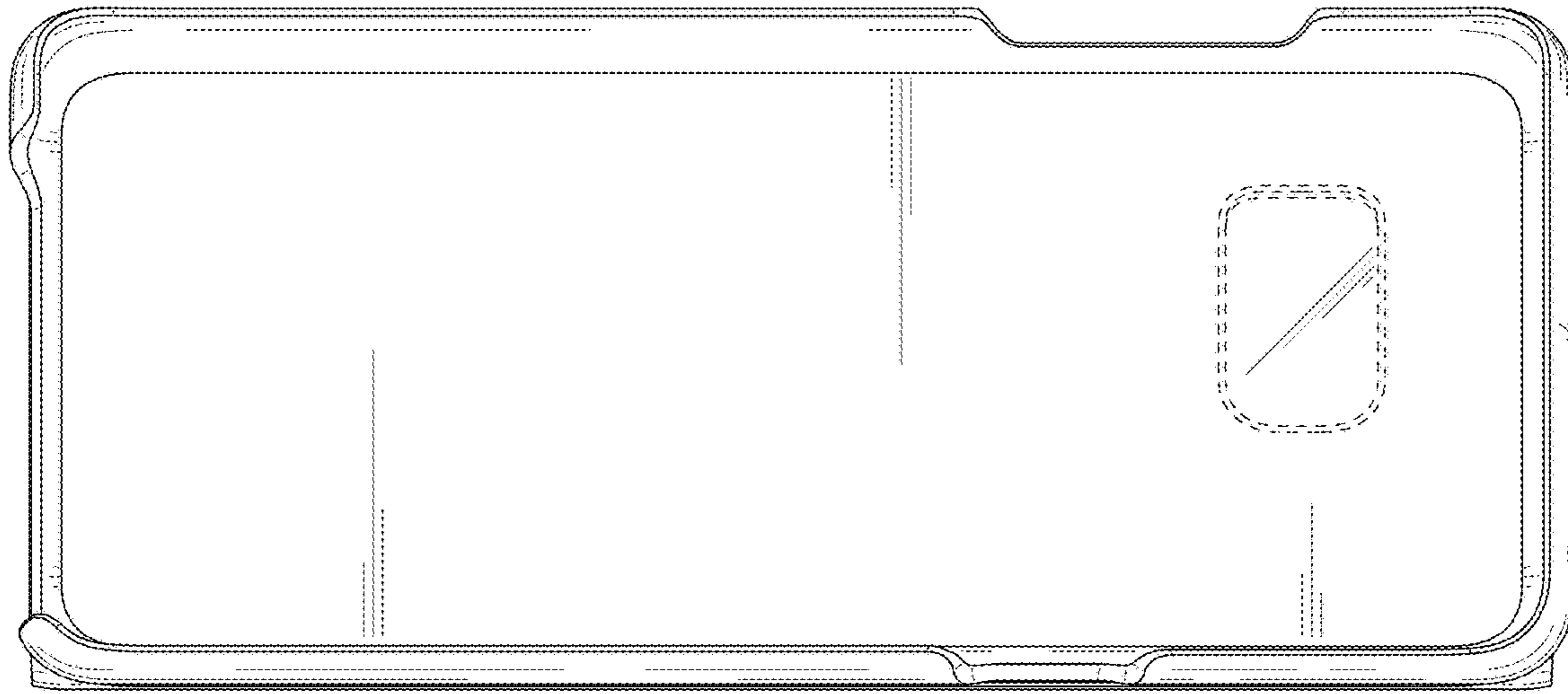


FIG. 3

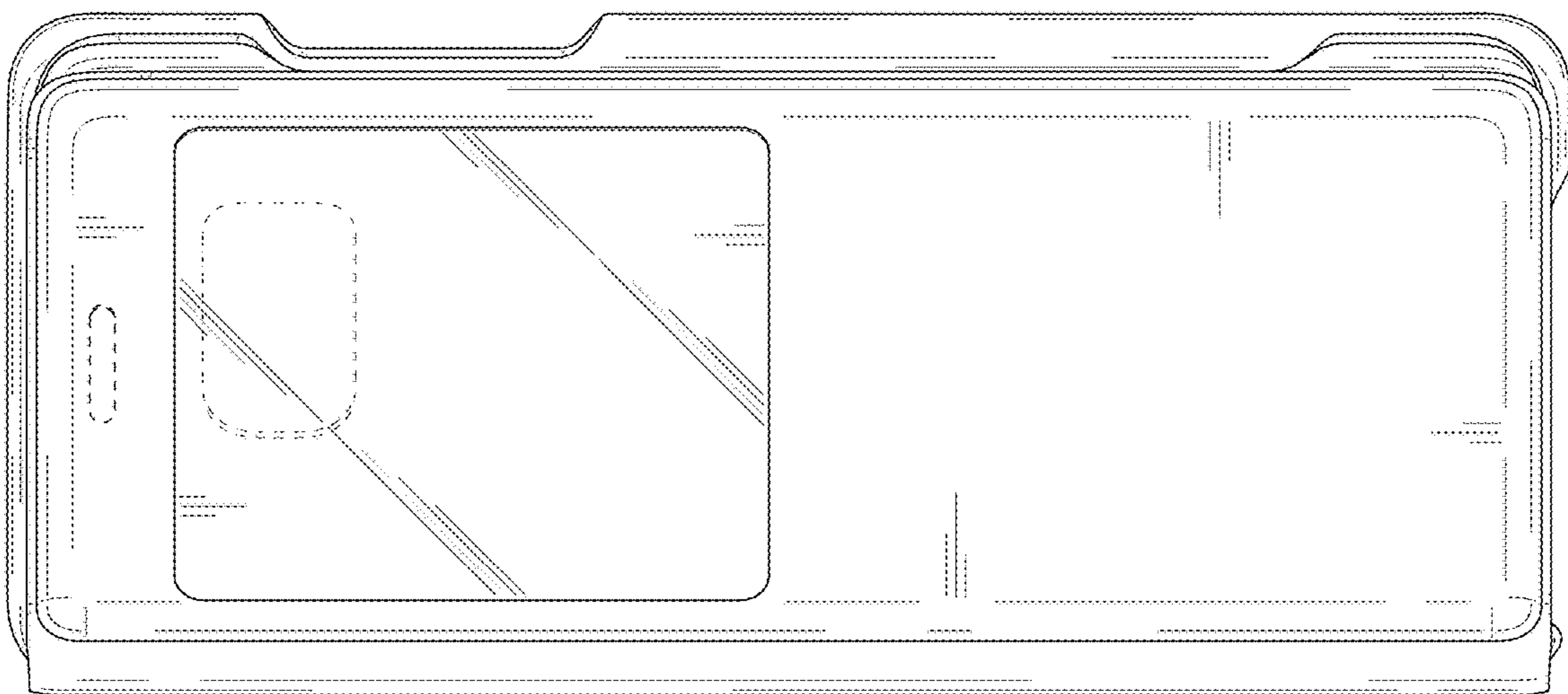


FIG. 4

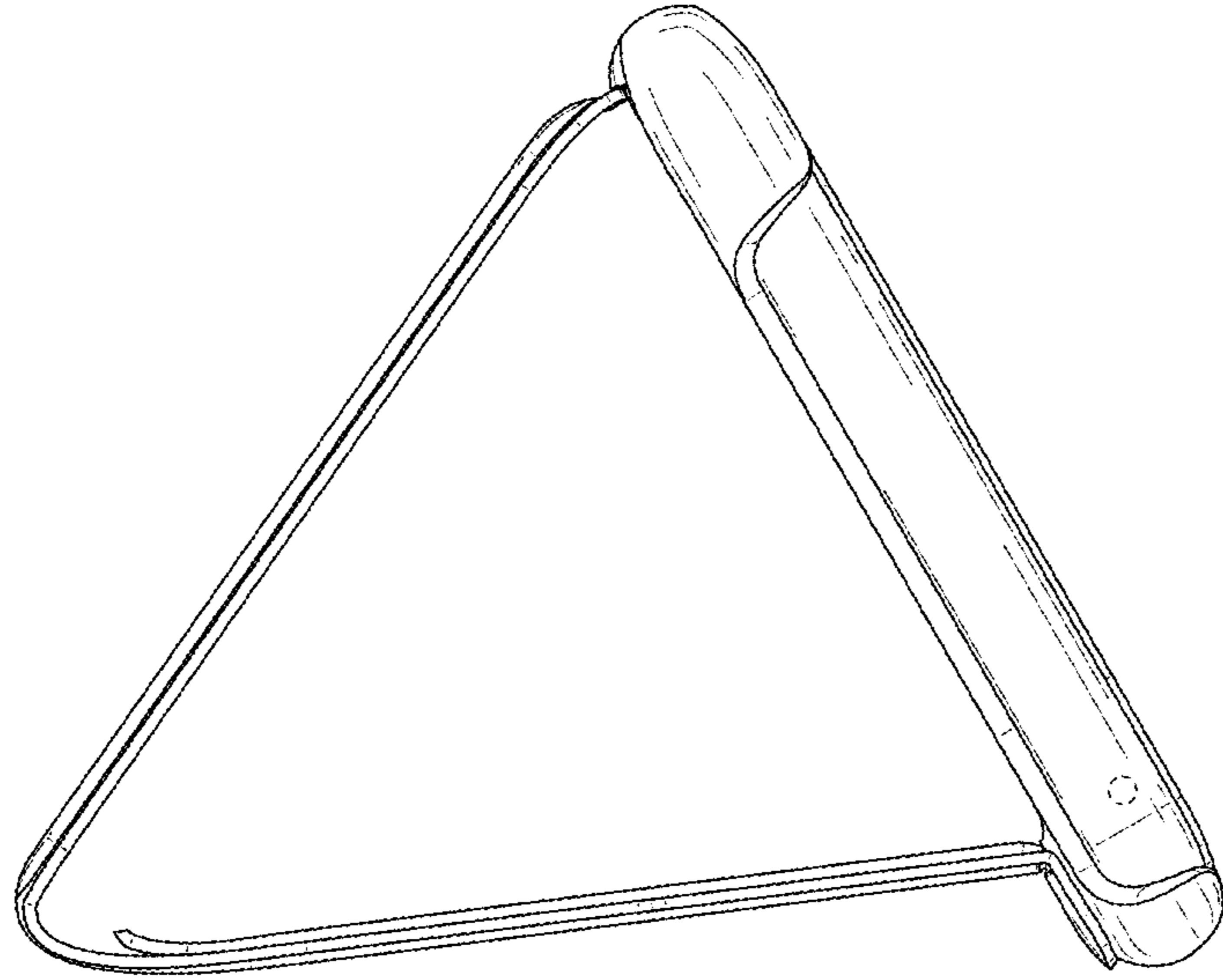


FIG. 5

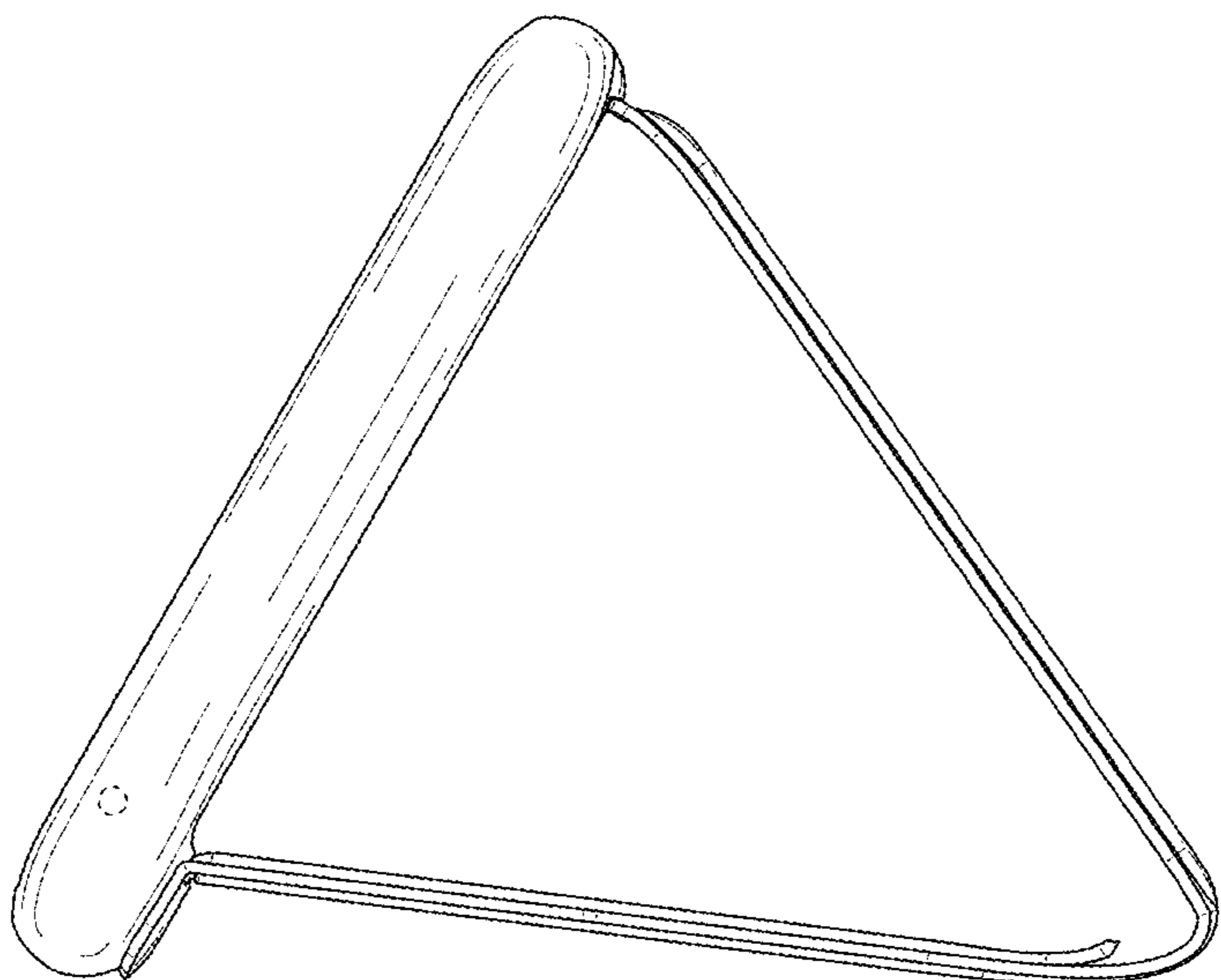


FIG. 6

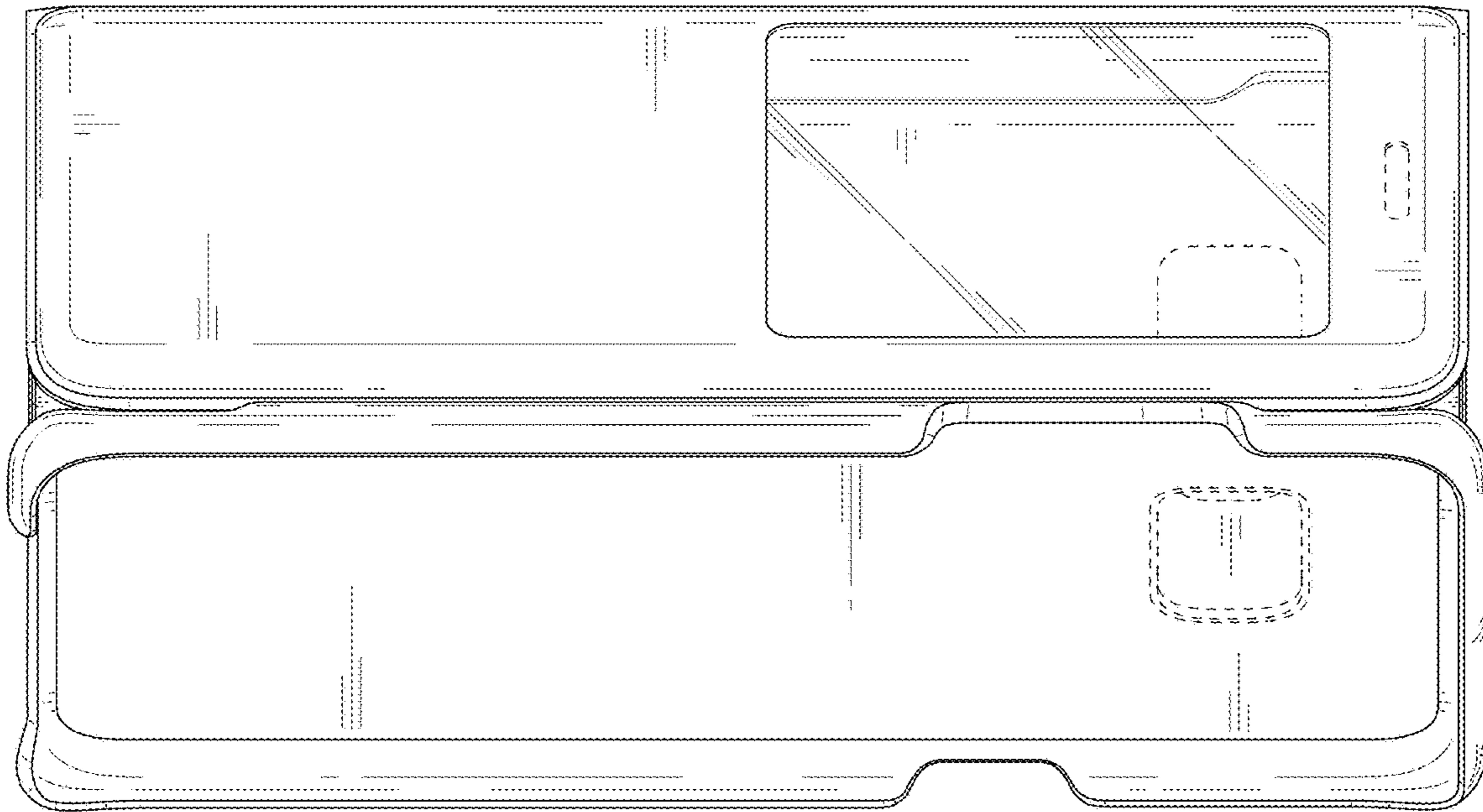


FIG. 7

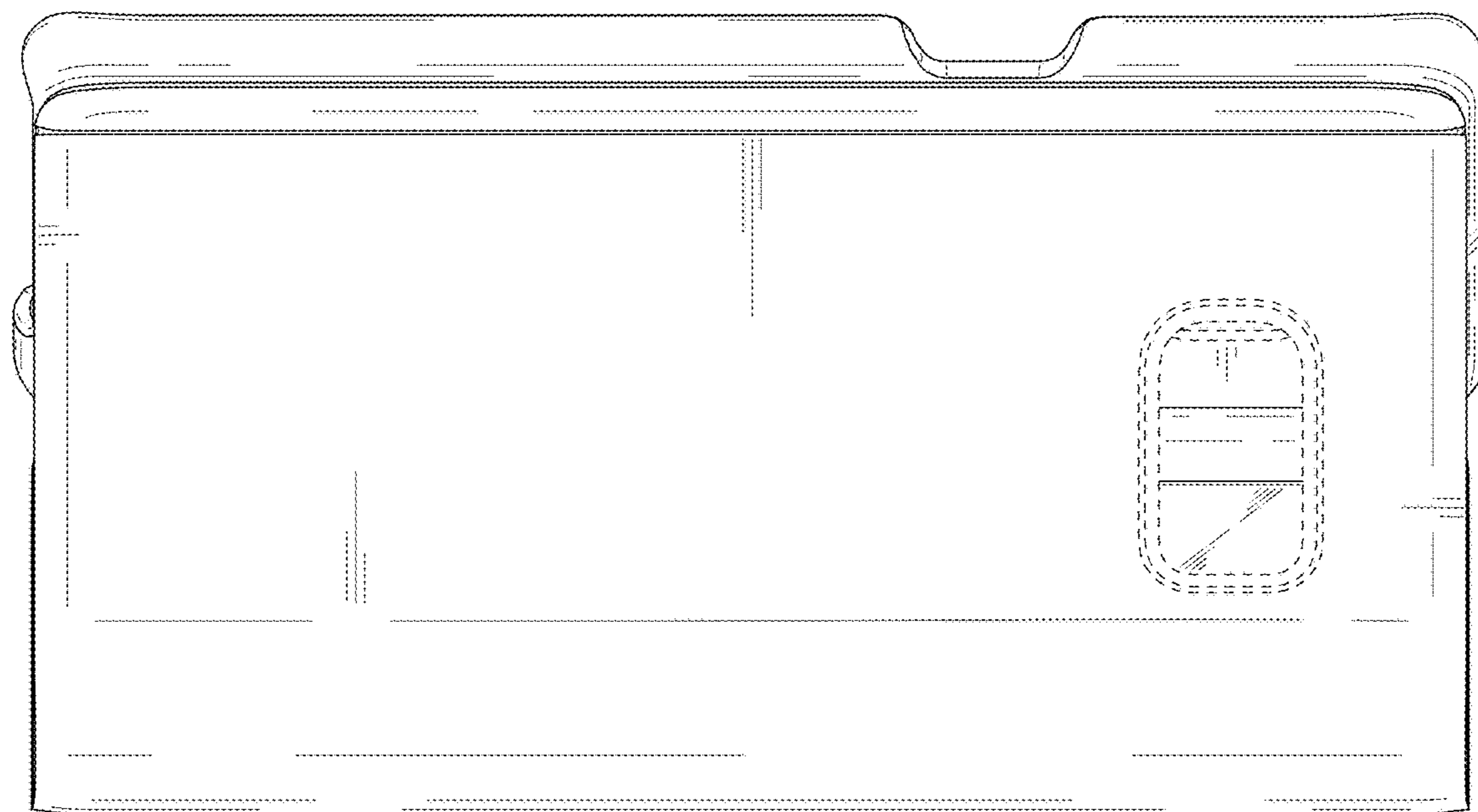


FIG. 8

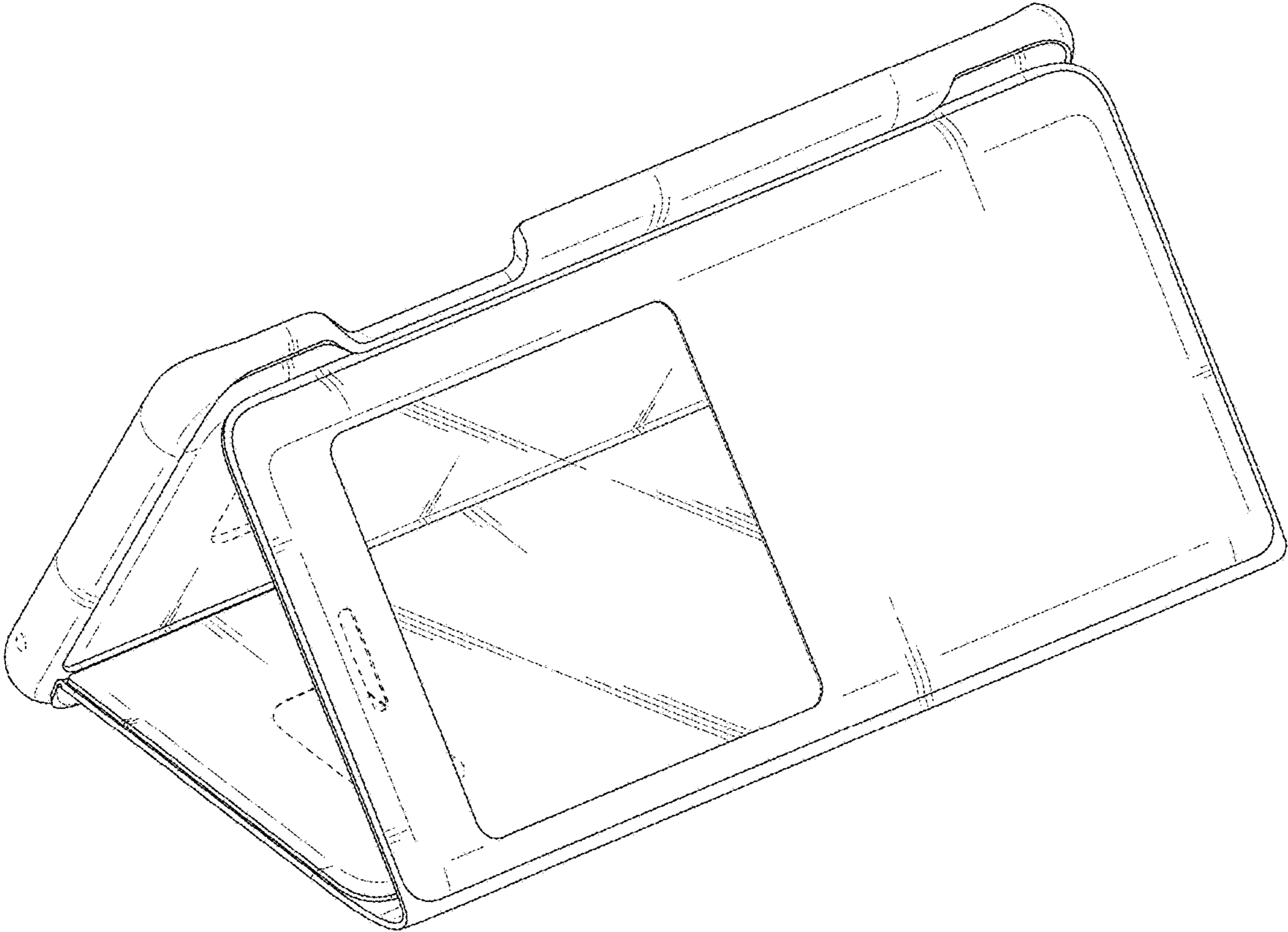


FIG. 9

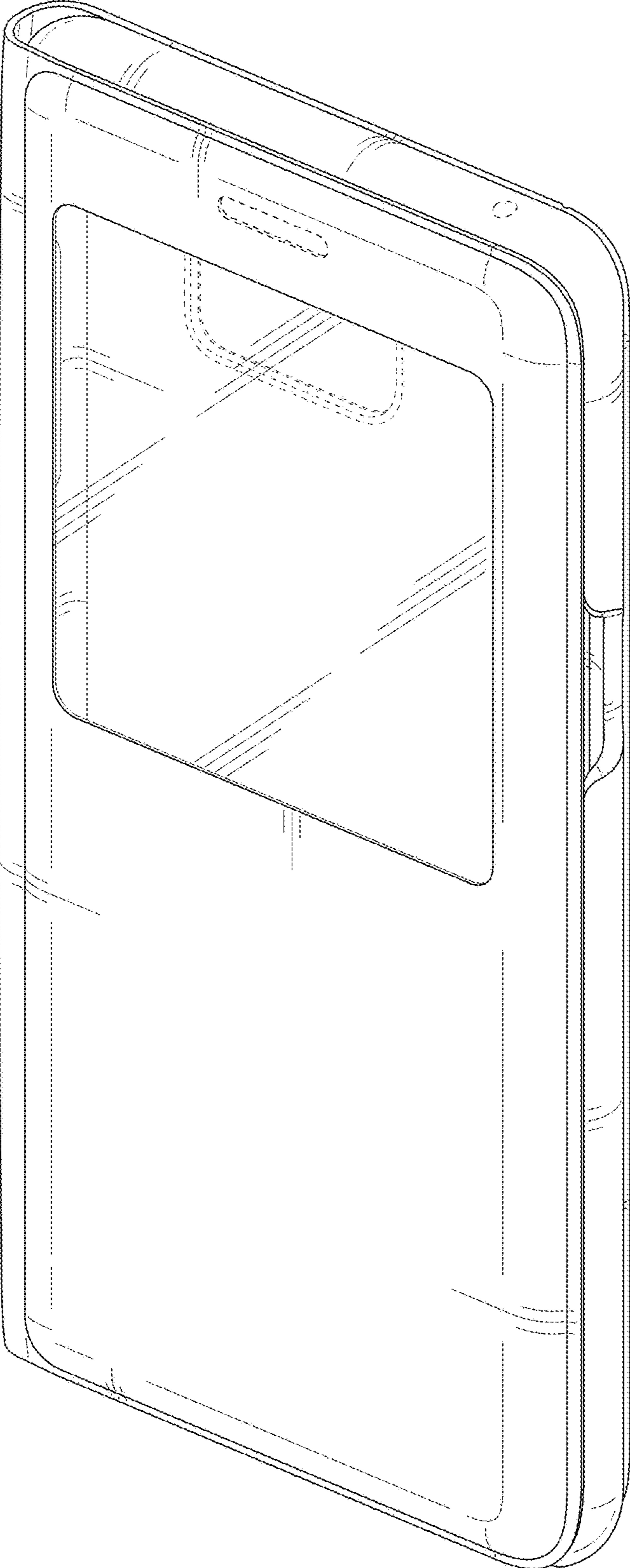


FIG. 10

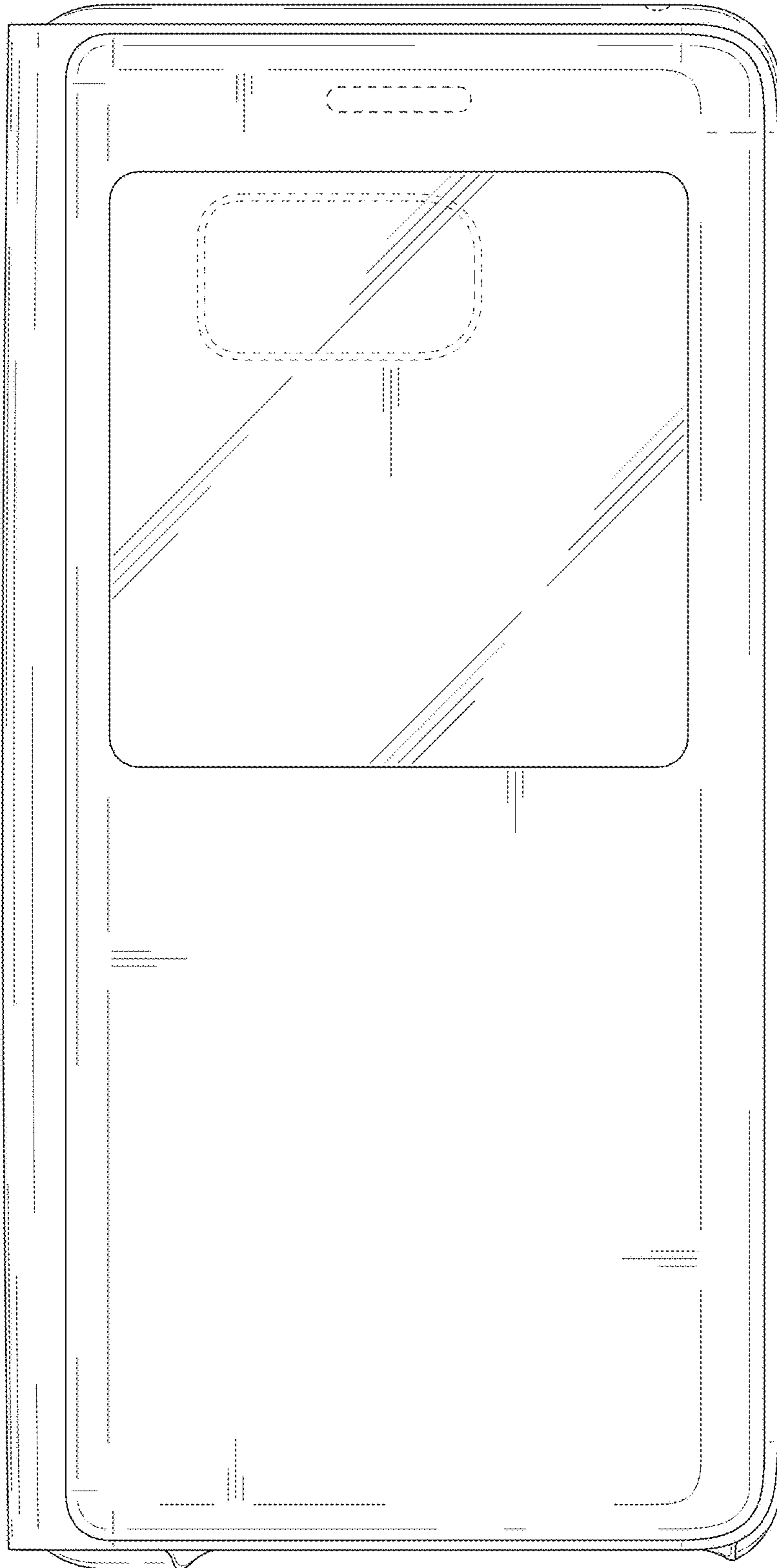


FIG. 11

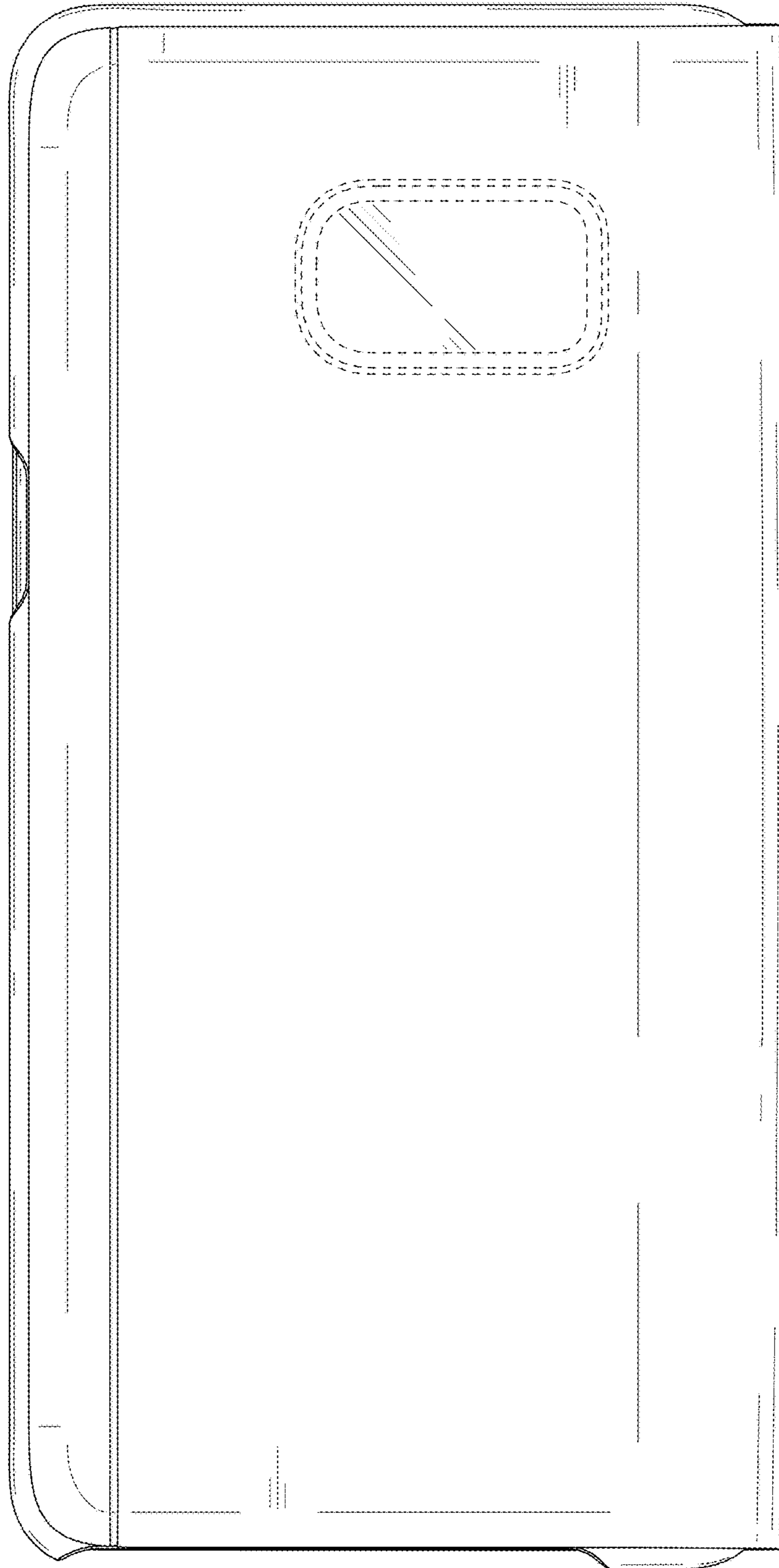


FIG. 12

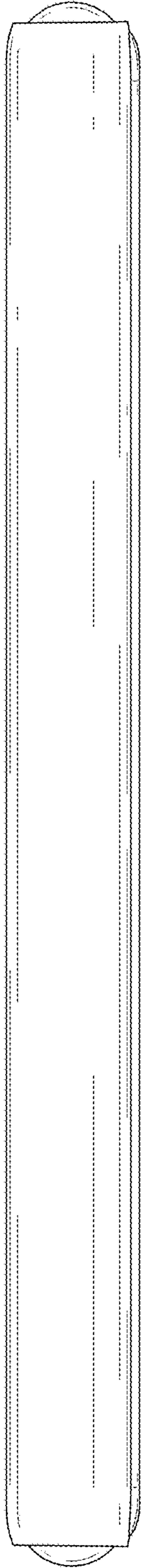


FIG. 13

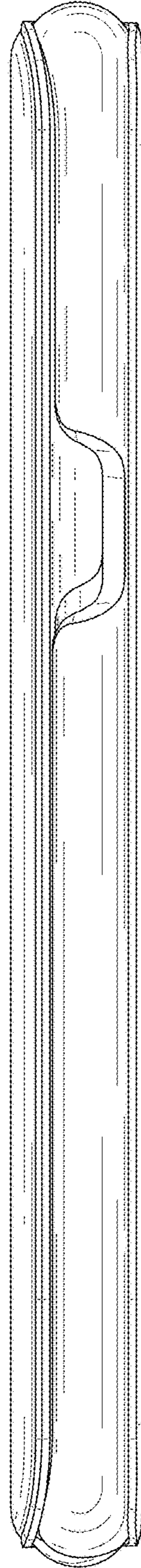


FIG. 14

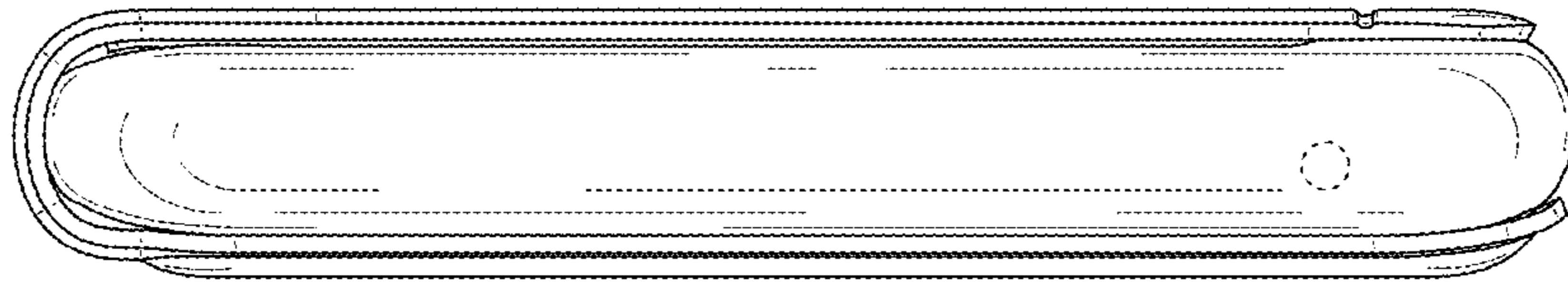


FIG. 15

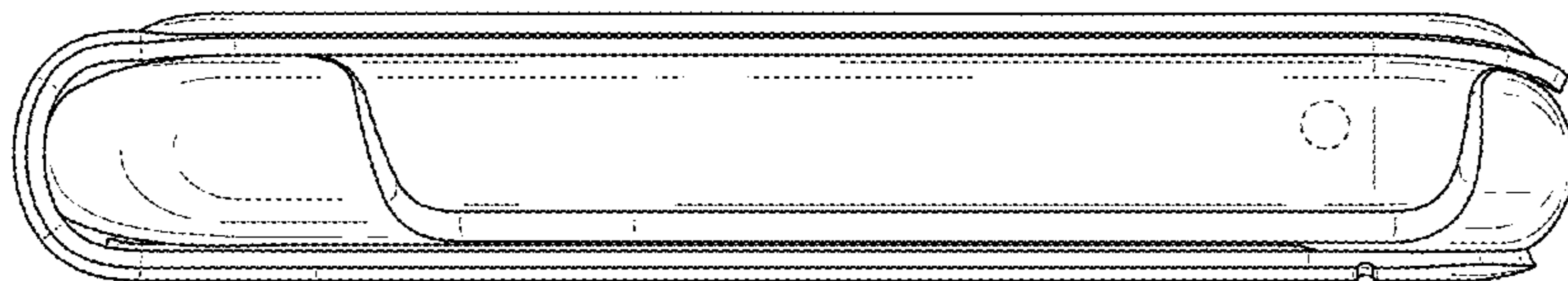


FIG. 16

