



US00D810066S

(12) **United States Design Patent**
Tien et al.

(10) **Patent No.:** **US D810,066 S**
(45) **Date of Patent:** **** Feb. 13, 2018**

(54) **PROTECTIVE COVER**

(71) Applicants: **Fu Tai Hua Industry (Shenzhen) Co., Ltd.**, Shenzhen (CN); **HON HAI PRECISION INDUSTRY CO., LTD.**, New Taipei (TW)

(72) Inventors: **Li-Wen Tien**, New Taipei (TW); **Chang-Xue Lei**, Shenzhen (CN); **Lei Wang**, Shenzhen (CN)

(73) Assignees: **Fu Tai Hua Industry (Shenzhen) Co., Ltd.**, Shenzhen (CN); **HON HAI PRECISION INDUSTRY CO., LTD.**, New Taipei (TW)

(**) Term: **15 Years**

(21) Appl. No.: **29/569,726**

(22) Filed: **Jun. 30, 2016**

(30) **Foreign Application Priority Data**

May 24, 2016 (CN) 2016 3 0199233

(51) **LOC (11) Cl.** **14-03**

(52) **U.S. Cl.**
USPC **D14/250**

(58) **Field of Classification Search**
USPC 455/575.8; D14/250
CPC A45C 2011/002; A45C 11/00
See application file for complete search history.

(56) **References Cited**

U.S. PATENT DOCUMENTS

- D706,254 S * 6/2014 Chang D14/217
- D722,312 S * 2/2015 Tages D14/250
- D750,610 S * 3/2016 Chen D14/250
- D766,885 S * 9/2016 Armstrong D14/250
- D776,104 S * 1/2017 Tien D14/250
- D779,471 S * 2/2017 Tien D14/250
- D780,167 S * 2/2017 Tien D14/250

- D783,588 S * 4/2017 Chang D14/250
- D784,975 S * 4/2017 Ballou D14/250
- 9,641,212 B1 * 5/2017 Tien A45C 11/00
- D789,344 S * 6/2017 Kim D14/250
- D789,345 S * 6/2017 Kim D14/250
- D791,754 S * 7/2017 Armstrong D14/250

(Continued)

OTHER PUBLICATIONS

3d Hybrid Case, posted at pl.aliexpress.com, posting date not given, [online]. [site visited Aug. 29, 2017]. Available from Internet, URL: <https://pl.aliexpress.com/item/Brand-New-Innovative-3D-Hybrid-Case-for-Samsung-Galaxy-S7-Kickstand-Silicone-Cover-5-1-TUP/32799016400.html>.*

(Continued)

Primary Examiner — George D. Kirschbaum
Assistant Examiner — Maria J Edwards
(74) *Attorney, Agent, or Firm* — ScienBiziP, P.C.

(57) **CLAIM**

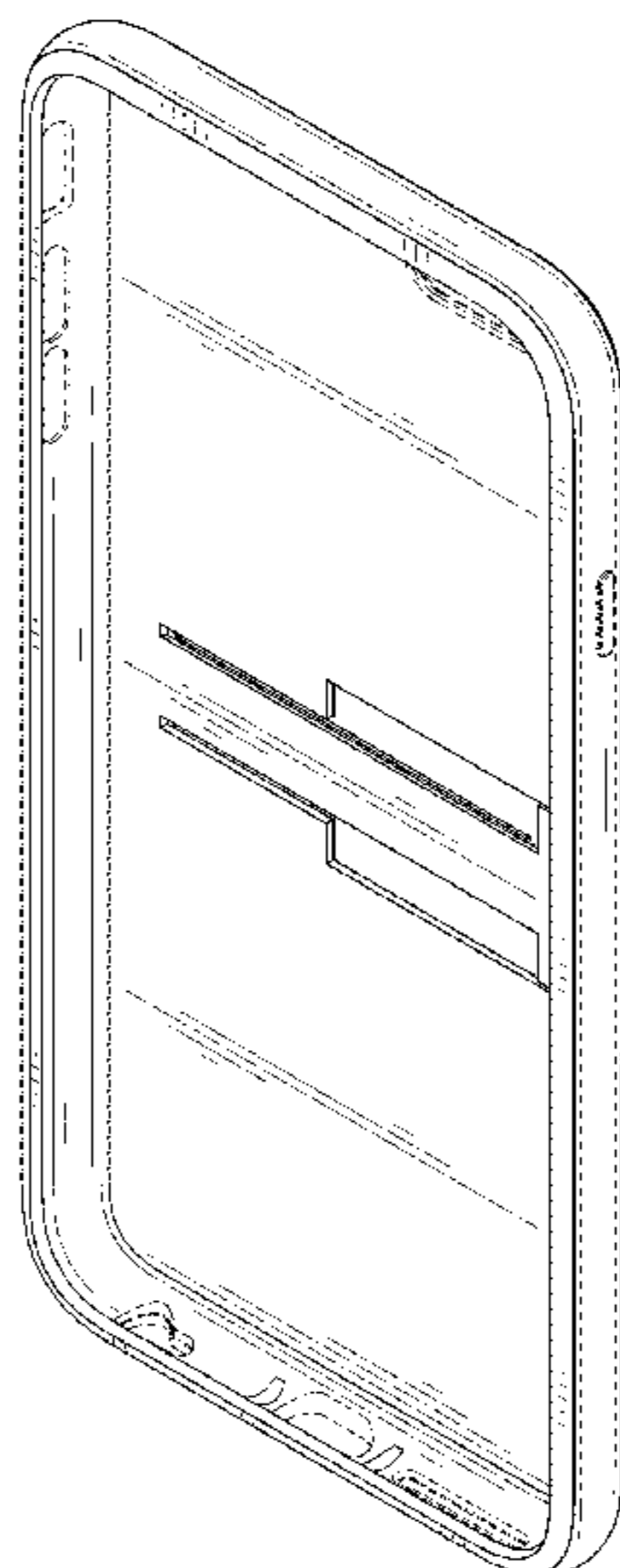
We claim the ornamental design for a protective cover, as shown and described.

DESCRIPTION

FIG. 1 is a perspective view of a protective cover showing our new design;
FIG. 2 is a front elevational view thereof;
FIG. 3 is a rear elevational view thereof;
FIG. 4 is a left side elevational view thereof;
FIG. 5 is a right side elevational view thereof;
FIG. 6 is a top plan view thereof;
FIG. 7 is a bottom plan view thereof; and,
FIG. 8 is a perspective view showing the protective cover in use.

The broken lines are for illustrating unclaimed portions of the protective cover or environmental use; the broken lines form no part of the claimed design.

1 Claim, 8 Drawing Sheets



(56)

References Cited

U.S. PATENT DOCUMENTS

2017/0033824 A1* 2/2017 Tien H04B 1/3888

OTHER PUBLICATIONS

China Cell Phone Case C9705, posted at oskyoo.en.made-in-china.com, posting date not given, [online], [site visited Aug. 29, 2017]. Available from Internet, URL: <http://oskyoo.en.madeinchina.com/productimage/YXrEKTDUTnca2f1j00IKntEaTdvYkH/ChinaCellPhoneCaseforiPhoneStandHolderC9705.html>.*

Kisscase Hybrid, posted at aliexpress.com, posting date not given, [online], [site visited Aug. 29, 2017]. Available from Internet, URL: <https://www.aliexpress.com/item/CoolHybrid2in1CaseforGalaxyNote5LuxuryHardPCTPUBackCover/32460473704.html>.*

* cited by examiner

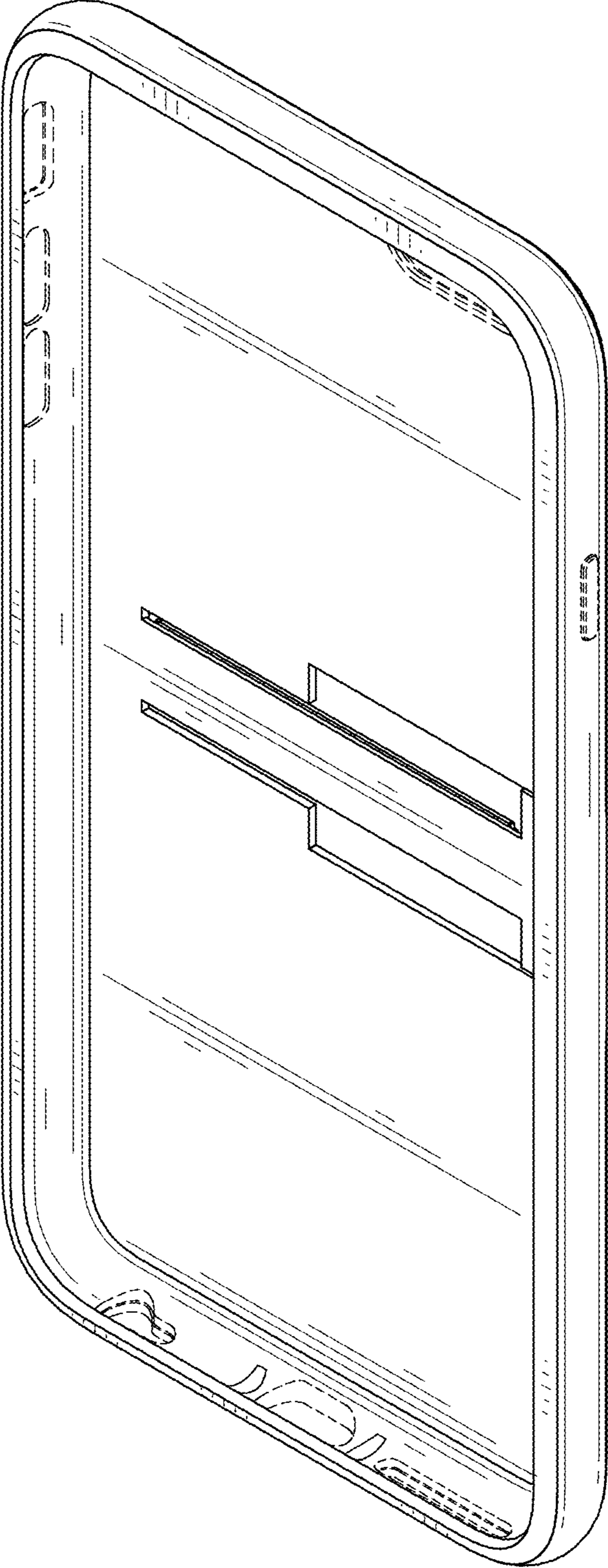


FIG. 1

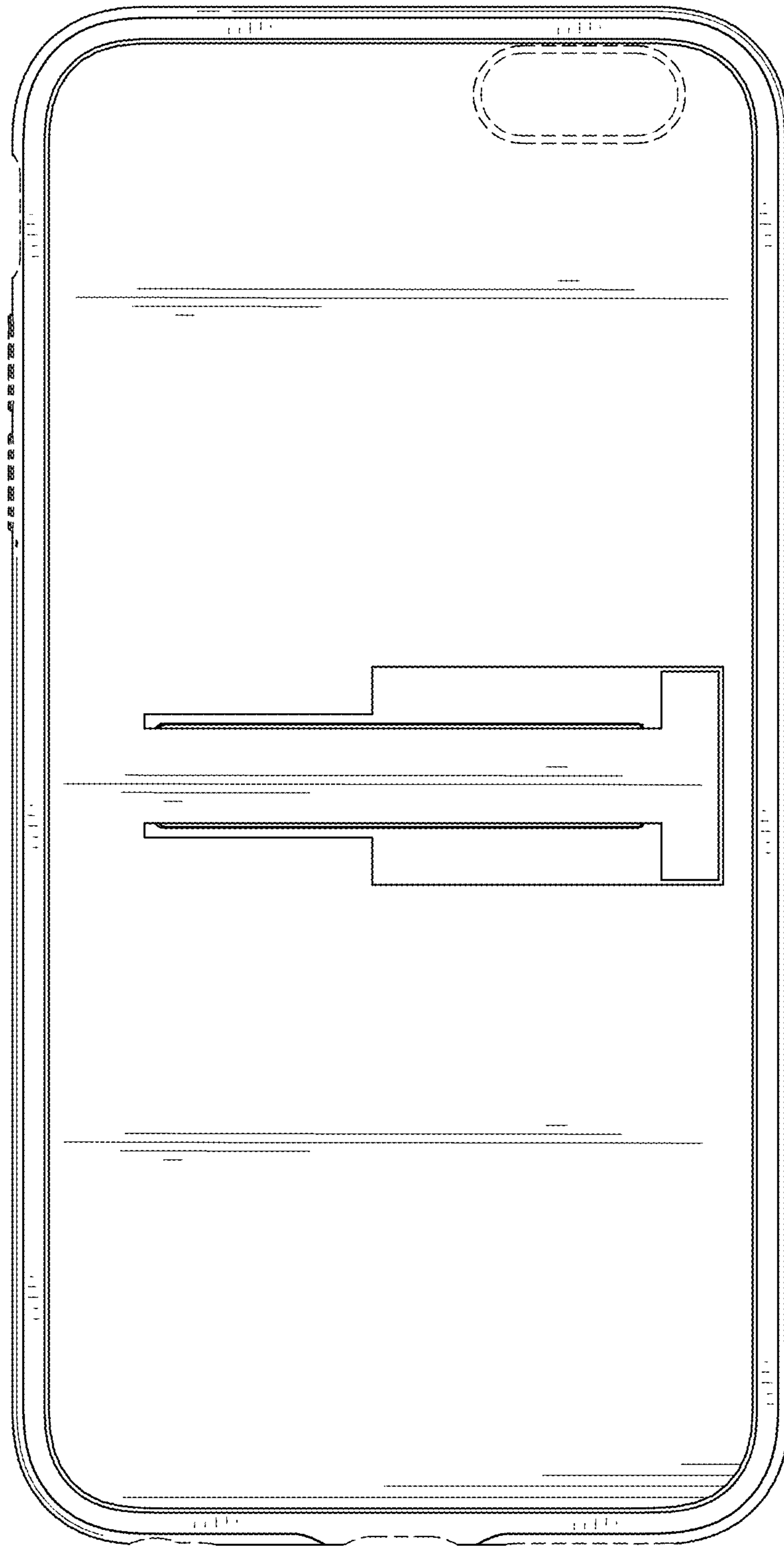


FIG. 2

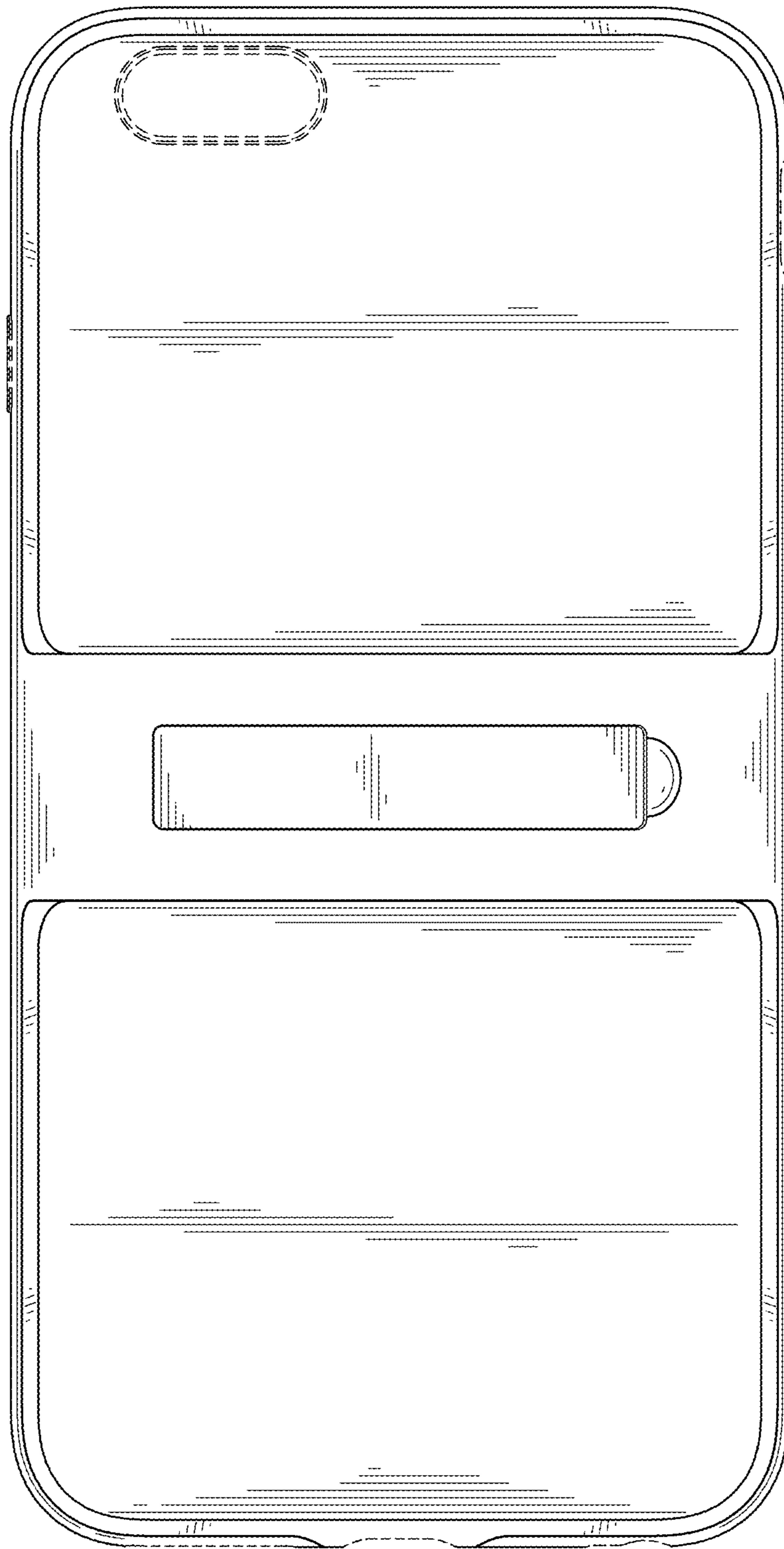


FIG. 3

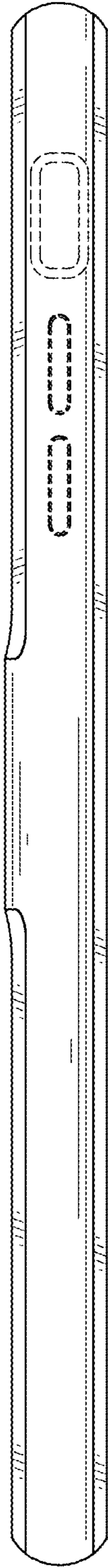


FIG. 4

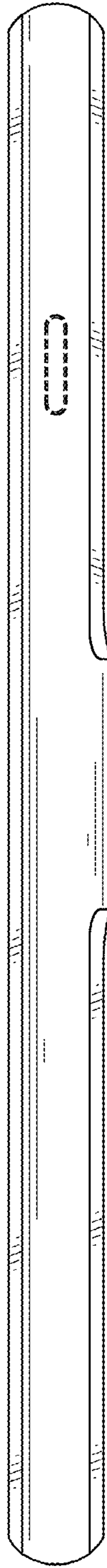


FIG. 5

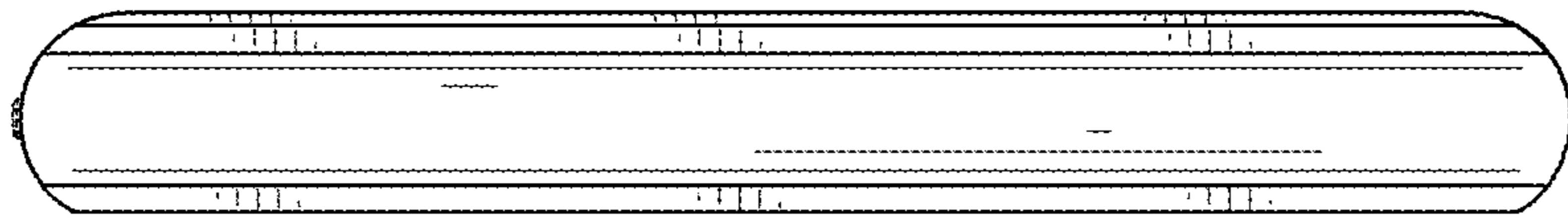


FIG. 6

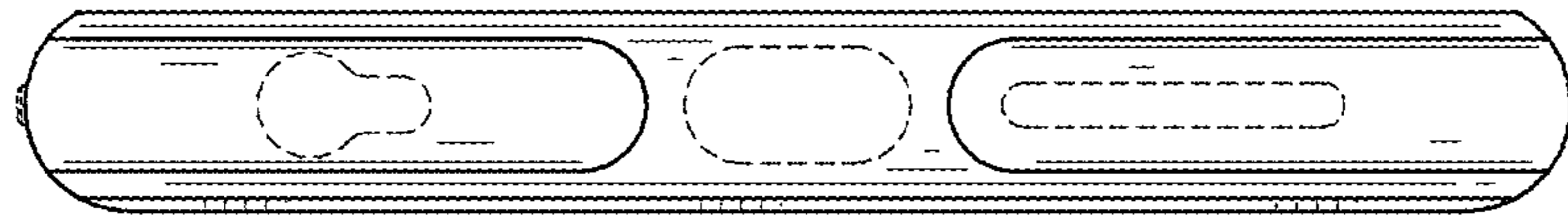


FIG. 7

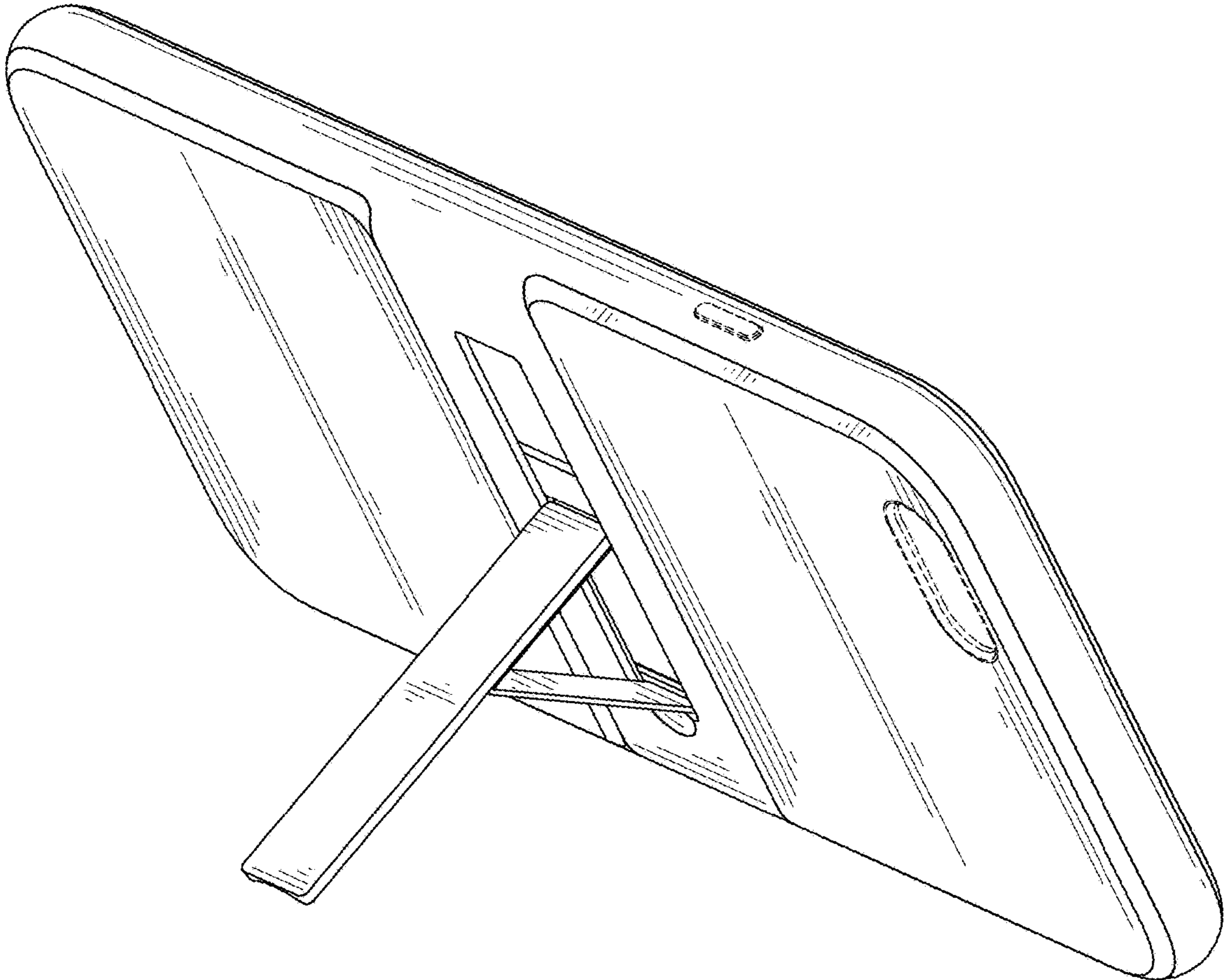


FIG. 8