



US00D810062S

(12) **United States Design Patent** (10) **Patent No.:** **US D810,062 S**
Lee et al. (45) **Date of Patent:** **** Feb. 13, 2018**

(54) **MOBILE PHONE**
(71) Applicant: **LG Electronics Inc.**, Seoul (KR)
(72) Inventors: **Hophil Lee**, Seoul (KR); **Yooshin Ahn**, Seoul (KR); **Seungbeom Park**, Seoul (KR); **Hyunchul Kim**, Seoul (KR)
(73) Assignee: **LG Electronics Inc.**, Seoul (KR)

D494,151 S * 8/2004 Walliser D14/138 G
D496,644 S * 9/2004 Yoo D14/138 AD
D496,659 S * 9/2004 Chien D14/346
D506,754 S * 6/2005 Schlieffers D14/346
D508,687 S * 8/2005 Lee D14/138 AD
D515,529 S * 2/2006 Beasley D14/138 AA
D525,225 S * 7/2006 Lee D14/138 AD
D525,227 S * 7/2006 Jang D14/138 AD

(Continued)

(**) Term: **15 Years**

(21) Appl. No.: **29/531,648**

(22) Filed: **Jun. 29, 2015**

(30) **Foreign Application Priority Data**

Dec. 31, 2014 (KR) 30-2014-0064566

(51) **LOC (11) Cl.** **14-03**

(52) **U.S. Cl.**
USPC **D14/248**

(58) **Field of Classification Search**
USPC D14/138 AA, 138 AB, 138 AD, 138 AC, D14/138 C, 138 G, 138 R, 248, 250, 253, D14/341, 440; D3/215, 218
CPC H05K 5/0217; H04M 1/03; H04B 1/3888; H04N 5/2252; A45C 2011/002
See application file for complete search history.

(56) **References Cited**

U.S. PATENT DOCUMENTS

D205,357 S * 7/1966 Stevenson D13/171
D297,952 S * 10/1988 Ishiwata D13/169
D299,642 S * 1/1989 Kamisada D13/169
D442,157 S * 5/2001 Muenscher D14/138 AA
D442,561 S * 5/2001 Camarota D13/162
D449,549 S * 10/2001 Hoelbl D10/78
D465,219 S * 11/2002 Tamaki D14/346
D476,329 S * 6/2003 Miao D14/346
D480,375 S * 10/2003 Cebe D14/147
D483,032 S * 12/2003 Bertrand D14/248

OTHER PUBLICATIONS

LG GS200, Product specifications page [online], Dec. 2009, GSMarena.com, Retrieved Oct. 25, 2016 from <URL: http://www.gsmarena.com/lg_gs200-pictures-3055.php >.*

(Continued)

Primary Examiner — Sheryl Lane

Assistant Examiner — Calvin E Vansant

(74) *Attorney, Agent, or Firm* — Morgan, Lewis & Bockius LLP

(57) **CLAIM**

The ornamental design for a mobile phone, as shown and described.

DESCRIPTION

FIG. 1 is a rear perspective view of a mobile phone showing our new design;

FIG. 2 is a front view thereof;

FIG. 3 is a rear view thereof;

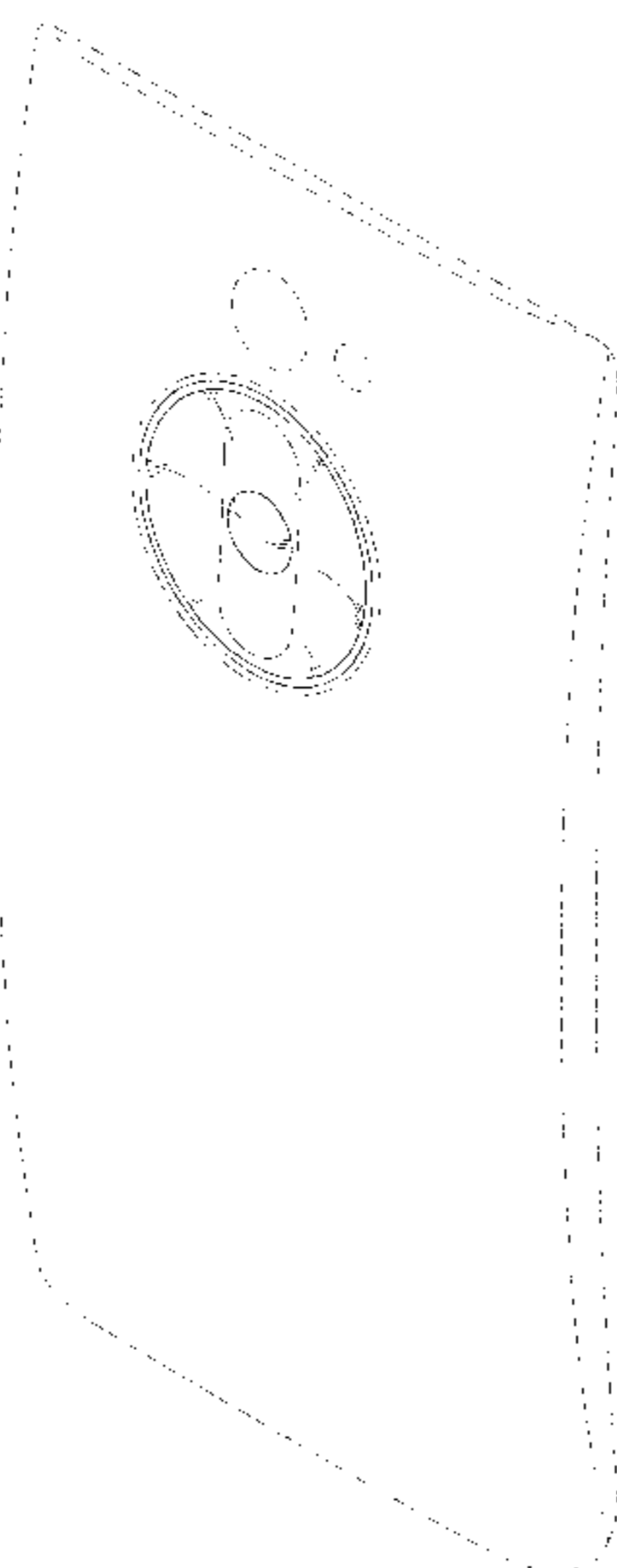
FIG. 4 is a left side view thereof where the right side view is a mirror image;

FIG. 5 is a top plan view thereof; and,

FIG. 6 is a bottom plan view thereof.

The broken lines depict portions of the mobile phone that form no part of the claimed design. The dash-dot broken lines define the bounds of the claimed design and form no part thereof.

1 Claim, 5 Drawing Sheets



(56)

References Cited

U.S. PATENT DOCUMENTS

D525,959 S * 8/2006 Kim D14/138 AD
 D526,299 S * 8/2006 Ha D14/138 AD
 D527,719 S * 9/2006 Franck D14/147
 D528,526 S * 9/2006 Shin D14/138 AD
 D529,476 S * 10/2006 Beaseley D14/147
 D529,890 S * 10/2006 Park D14/138 G
 D530,699 S * 10/2006 Lee D14/138 G
 D534,143 S * 12/2006 Lheem D14/138 AD
 D535,276 S * 1/2007 Franck D14/147
 D535,968 S * 1/2007 Lee D14/138 AD
 D538,774 S * 3/2007 Franck D14/147
 D543,176 S * 5/2007 Hyun D14/138 G
 D543,966 S * 6/2007 Peng D14/138 AD
 D545,802 S * 7/2007 Choi D14/138 AC
 D548,213 S * 8/2007 Lee H04M 1/0235
 D14/138 AC
 D555,620 S * 11/2007 Lee D14/138 AD
 D558,227 S * 12/2007 Cho D14/496
 D558,726 S * 1/2008 Wang D14/138 AD
 D559,223 S * 1/2008 Kim D14/138 AA
 D560,196 S * 1/2008 Kim D14/138 AA
 D560,644 S * 1/2008 Choi D14/138 AD
 D562,289 S * 2/2008 Suk D14/138 AD
 D562,316 S * 2/2008 Dave D14/346
 D562,779 S * 2/2008 Lamoree D13/171
 D563,363 S * 3/2008 Park D14/138 AD
 D565,513 S * 4/2008 Biondo D13/174
 D565,533 S * 4/2008 Kim D14/138 AD
 D566,089 S * 4/2008 Kim D14/138 AD
 D567,206 S * 4/2008 Daley D14/138 AD
 D567,246 S * 4/2008 Lam D14/455
 D569,834 S * 5/2008 Suk D14/138 AD
 D569,836 S * 5/2008 Han D14/138 AD
 D573,129 S * 7/2008 Park D14/138 AD
 D574,353 S * 8/2008 Park D14/138 AD
 D574,806 S * 8/2008 Lee D14/138 AD
 D576,143 S * 9/2008 Jeoung D14/138 AD
 D581,382 S * 11/2008 Jeoung D14/138 AD
 D584,274 S * 1/2009 Kim D14/138 AD

D585,039 S * 1/2009 Wang D14/138 AA
 D589,019 S * 3/2009 Millora D14/138 AD
 D590,793 S * 4/2009 Kim D14/138 AC
 D590,794 S * 4/2009 Jeoung D14/138 AD
 D593,527 S * 6/2009 Wang D14/138 G
 D593,535 S * 6/2009 Sheba D14/203.3
 D596,607 S * 7/2009 Kim D14/138 AD
 D596,608 S * 7/2009 Kim D14/138 G
 D597,512 S * 8/2009 Kim D14/138 G
 D601,112 S * 9/2009 Tang D14/138 AD
 D601,532 S * 10/2009 Park D14/138 AD
 D609,677 S * 2/2010 Garnham D14/138 AD
 D610,117 S * 2/2010 Kim D14/138 AA
 D611,018 S * 3/2010 Suk D14/138 AD
 D613,719 S * 4/2010 Suk D14/138 AD
 D616,860 S * 6/2010 Kim D14/138 AD
 D620,910 S * 8/2010 Han D14/138 AD
 D633,458 S * 3/2011 Jinkinson D14/138 AA
 D644,197 S * 8/2011 Lee D14/138 G
 D645,010 S * 9/2011 Lee D14/138 G
 D676,822 S * 2/2013 Seo D14/138 G
 D687,799 S * 8/2013 Shin D14/138 G
 D687,806 S * 8/2013 Hachiya D14/138 G
 D696,640 S * 12/2013 Park D14/138 G
 D707,223 S * 6/2014 Akana D14/341
 D707,648 S * 6/2014 Ryu D14/138 G
 8,797,267 B2 * 8/2014 Duarte G06F 1/1624
 345/169
 D735,705 S * 8/2015 Lee D14/138 C
 D736,171 S * 8/2015 Lee D14/138 G
 D742,847 S * 11/2015 Ryu D14/138 G
 D750,605 S * 3/2016 Abdul-Hadi D14/240
 D765,067 S * 8/2016 Choe D14/248
 D766,861 S * 9/2016 Lee D14/138 G

OTHER PUBLICATIONS

Smith, T., BenQ jogs out outdoor-folk phone, Jun. 2006, The Register [online], Retrieved from <URL:http://www.theregister.co.uk/2006/06/19/benq_siemens_unveils_m81/>.*

* cited by examiner

FIG. 1

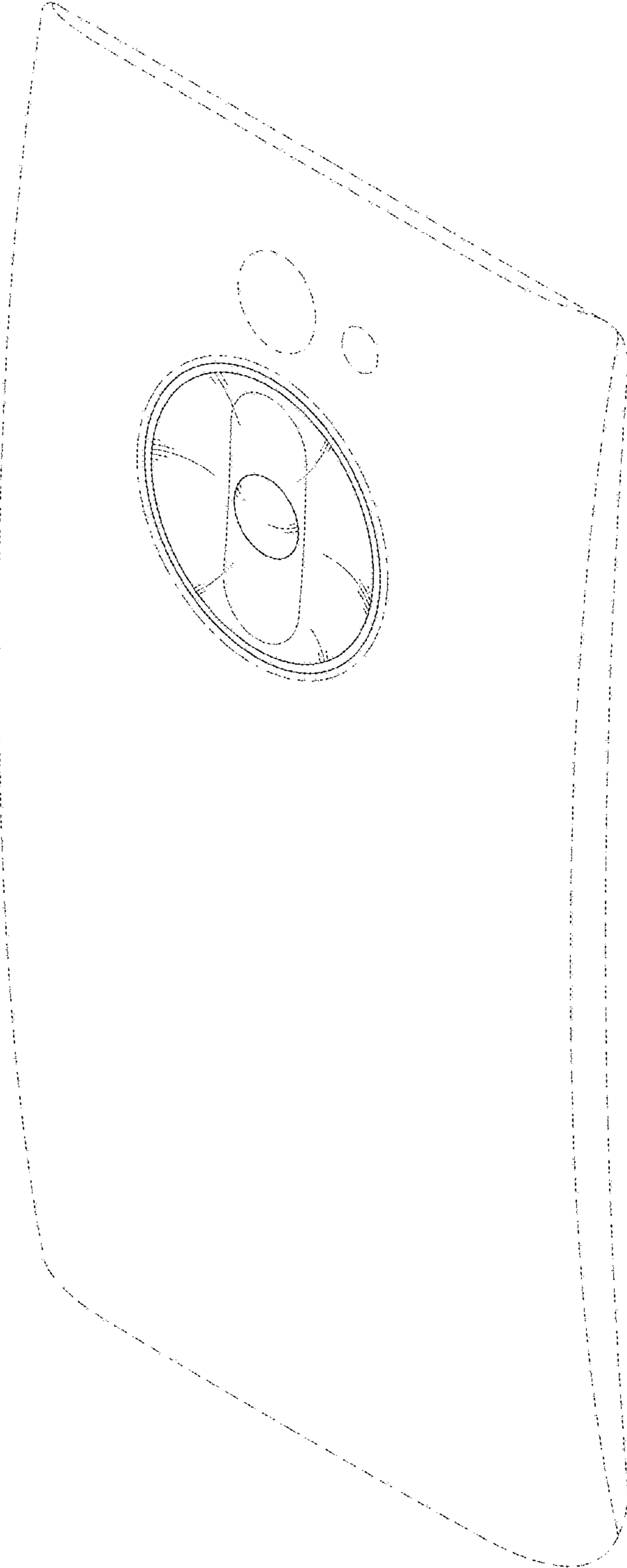


FIG. 2

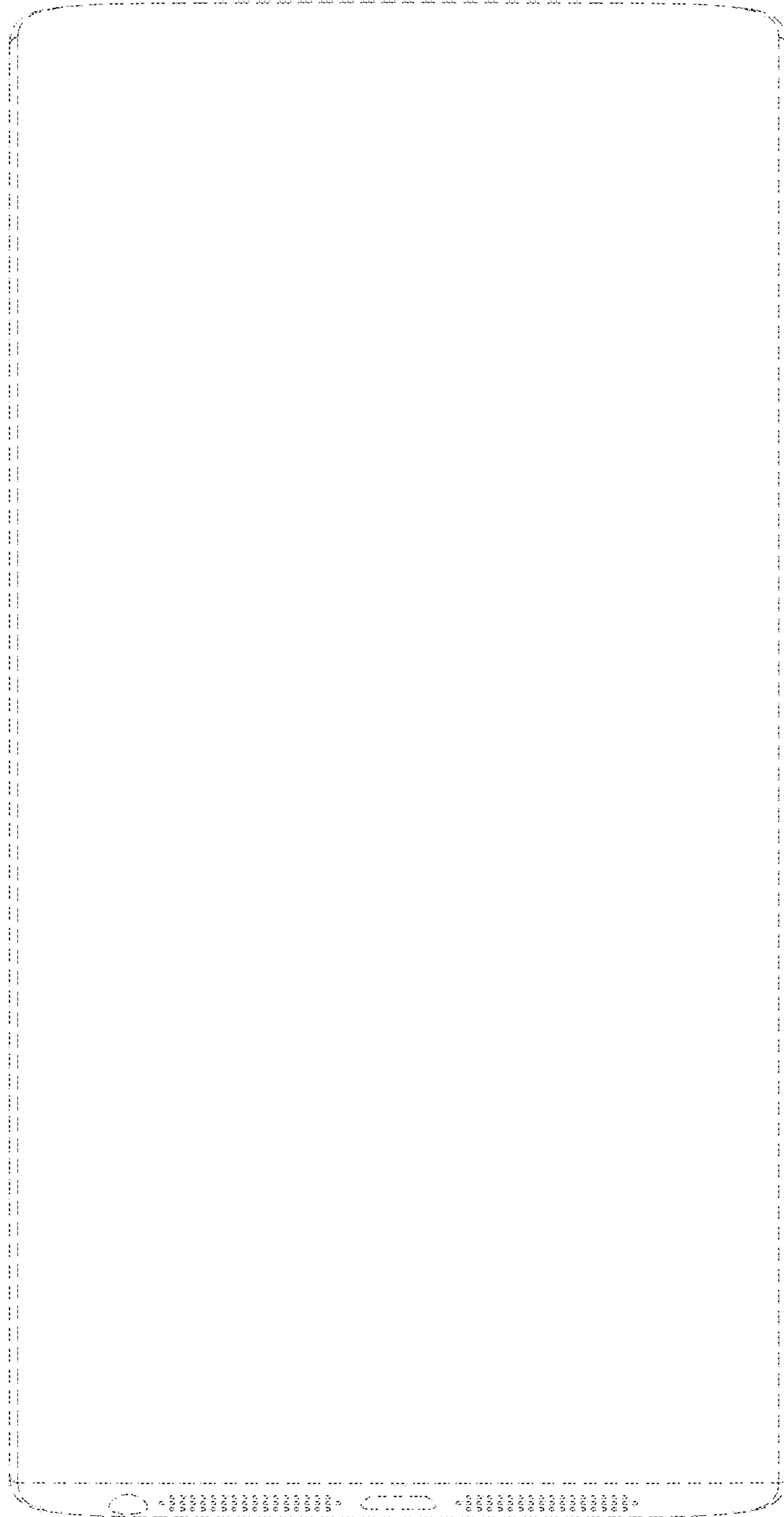


FIG. 3

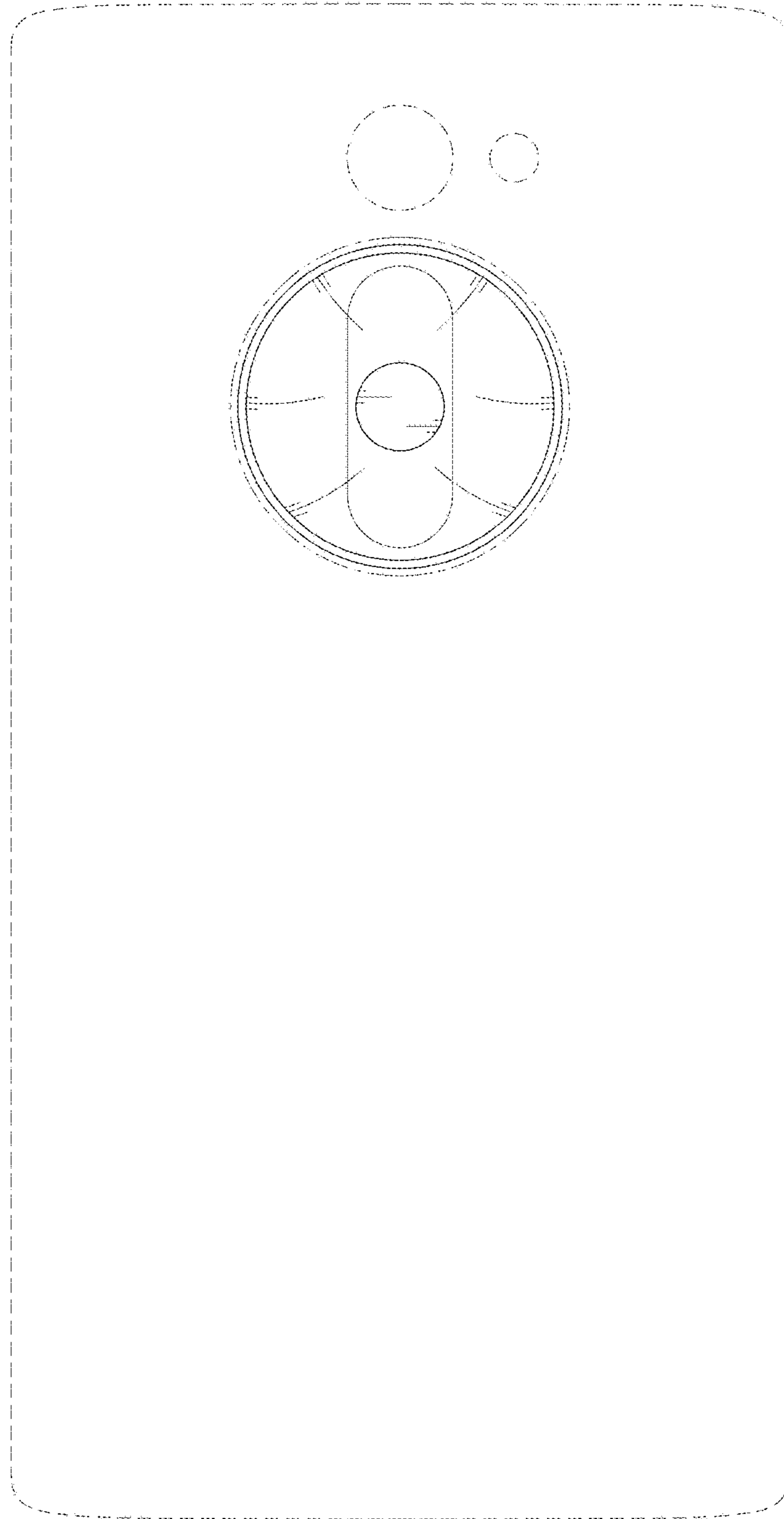


FIG. 4

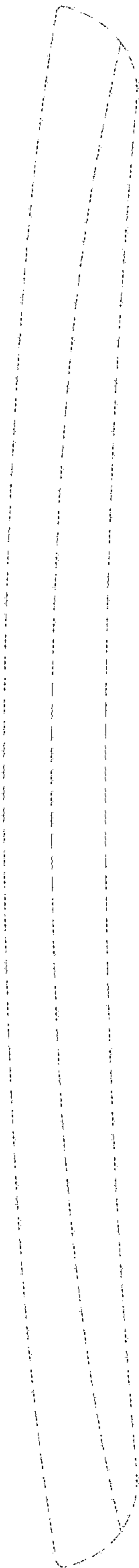


FIG. 5

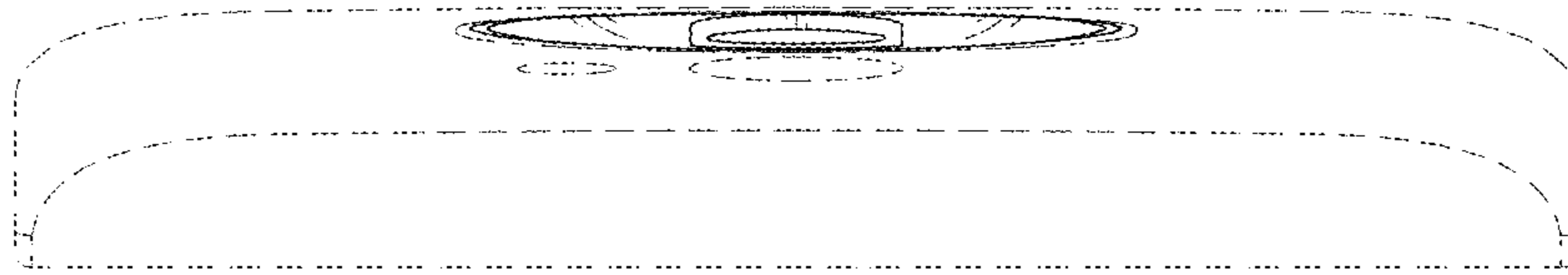


FIG. 6

