



US00D810061S

(12) **United States Design Patent** (10) **Patent No.:** **US D810,061 S**
Lim et al. (45) **Date of Patent:** **** Feb. 13, 2018**

(54) **COVER FOR NETWORK TERMINAL**

88/18; H04W 4/00; H01Q 1/02; H01Q 1/2291; H01Q 1/246; H04B 1/38

(71) Applicant: **SAMSUNG ELECTRONICS CO., LTD.**, Suwon-si (KR)

See application file for complete search history.

(72) Inventors: **Jiyun Lim**, Incheon (KR); **Soyoon Jeon**, Guri-si (KR)

(56) **References Cited**

(73) Assignee: **SAMSUNG ELECTRONICS CO., LTD.**, Gyeonggi-Do (KR)

U.S. PATENT DOCUMENTS

(**) Term: **15 Years**

D489,369 S *	5/2004	Sasaki	D14/358
D504,408 S *	4/2005	Bey	D13/144
D572,352 S *	7/2008	Chiu	D23/333
D643,520 S *	8/2011	Choi	D23/364
D667,097 S *	9/2012	Choi	D23/364
D693,450 S *	11/2013	Barlam	D23/366

(Continued)

(21) Appl. No.: **29/566,990**

FOREIGN PATENT DOCUMENTS

(22) Filed: **Jun. 3, 2016**

EM 0014356550003 5/2015

(30) **Foreign Application Priority Data**

Feb. 19, 2016 (KR) 30-2016-0007804

(51) **LOC (11) Cl.** **14-03**

(52) **U.S. Cl.**
USPC **D14/240**; D14/358; D14/432

(58) **Field of Classification Search**
USPC D14/356, 357, 358, 361, 362, 365, 367, D14/370, 388, 432, 434, 203.1, 203.6, D14/204, 205, 216, 240, 242, 299, 125, D14/129, 130, 140, 155, 168, 188, 195, D14/300, 302, 314, 348, 351, 496, 142, D14/230, 231, 233, 235, 236, 237; D13/103, 107, 108, 123, 152, 162, 162.1, D13/163, 168, 184, 199, 158; D10/104.1, D10/106.6, 116.1, 61, 64, 75, 106.9; D23/355, 356, 358, 359, 364, 366, 370, D23/378

CPC ... H04W 88/08; H04W 88/085; H04W 88/00; H04W 88/005; H04W 88/02; H04W 88/12; H04W 88/14; H04W 88/16; H04W

OTHER PUBLICATIONS

Networking Terminals. (Design—© Questel). orbit.com.[online PDF] 14 pgs. Print Dates range Mar. 2, 2016 through Nov. 17, 2016 [retrieved on Sep. 8, 2017] <https://sobjprd.questel.fr/export/QPTUJ214/pdf2/060ca40a-cfe0-488e-b012-496d8b3f3e46-190335.pdf>.*

(Continued)

Primary Examiner — Susan Bennett Hattan
Assistant Examiner — Marie D. Fast Horse
(74) *Attorney, Agent, or Firm* — Cantor Colburn LLP

(57) **CLAIM**

The ornamental design for a cover for network terminal, as shown and described.

DESCRIPTION

FIG. 1 is a perspective view of a cover for network terminal, showing our new design;
FIG. 2 is a front view thereof;
FIG. 3 is a rear view thereof;
FIG. 4 is a left side view thereof;
FIG. 5 is a right side view thereof;

(Continued)

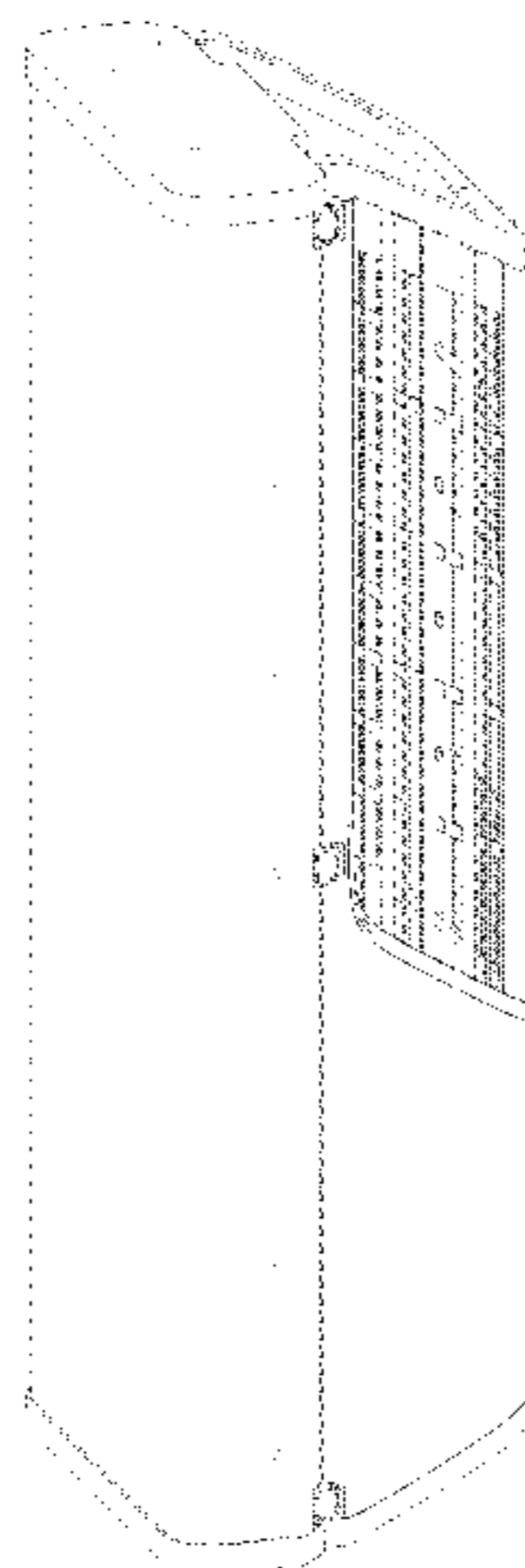


FIG. 6 is a top view thereof; and,
FIG. 7 is a bottom view thereof.
The broken lines illustrating portions of a cover for network terminal form no part of the claimed design.

1 Claim, 7 Drawing Sheets

(56)

References Cited

U.S. PATENT DOCUMENTS

D693,451 S *	11/2013	McKeage	D23/370
D731,997 S *	6/2015	Brennwald	D14/155
D739,512 S *	9/2015	Stoner, Jr.	D23/355
D747,789 S *	1/2016	Stoner, Jr.	D23/355
D765,234 S *	8/2016	Stoner, Jr.	D23/364
D783,582 S *	4/2017	Moon	D14/240
D783,583 S *	4/2017	Moon	D14/240

OTHER PUBLICATIONS

Bizloop, (Posted Feb. 27, 2014), pp. 1-3, Retrieved from the Internet Jun. 3, 2016, <URL:http://m771565.bizloop.jp/release/PR000000020_000007389/>.

Ericsson Air, pp. 1-5, Retrieved from the Internet Jun. 3, 2016, <URL:<http://nopicnic.com/ericsson>>.

* cited by examiner

FIG. 1

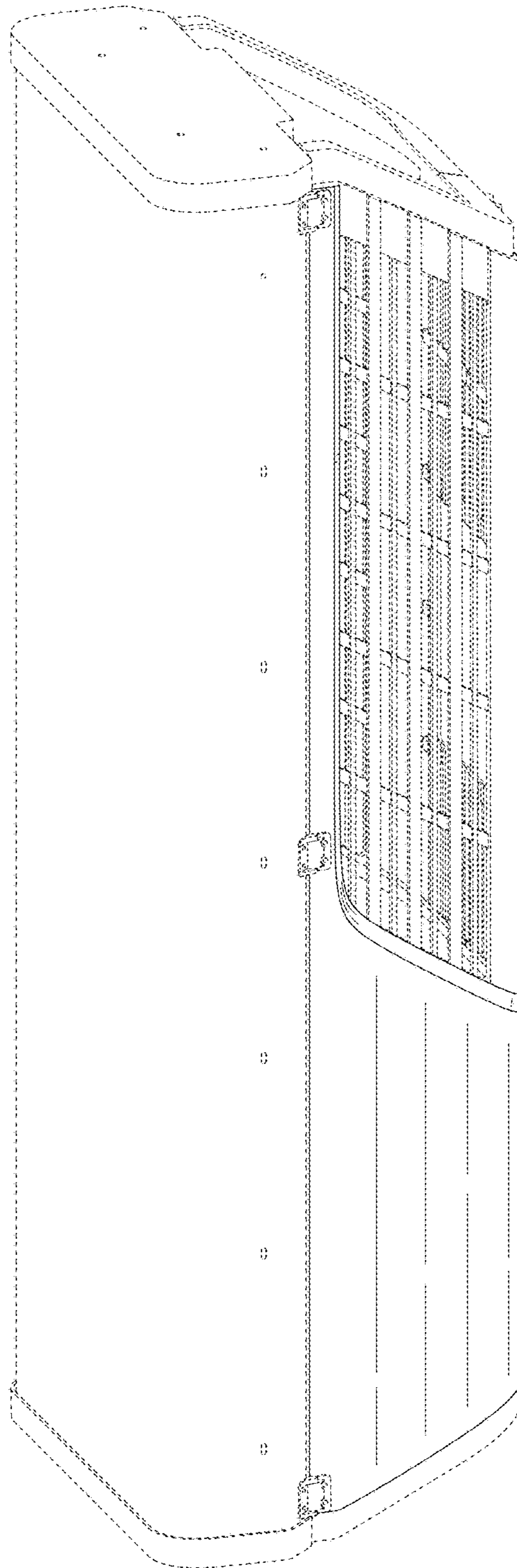


FIG. 2

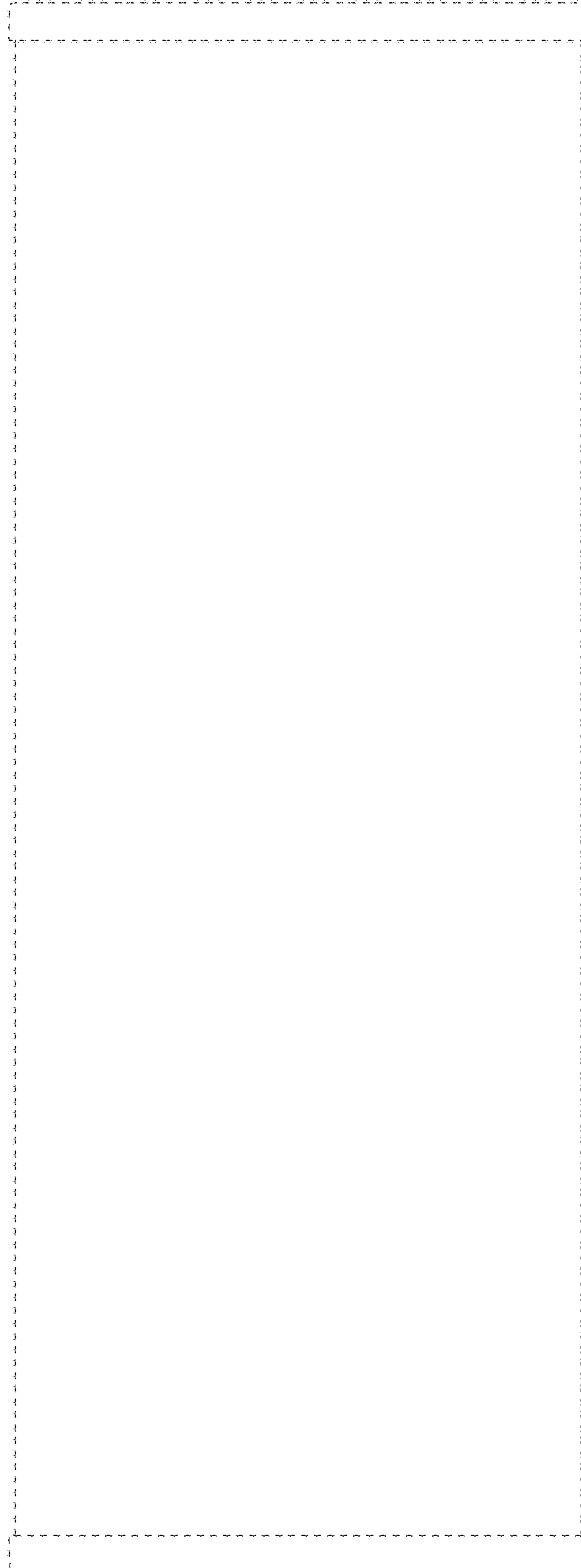


FIG. 3

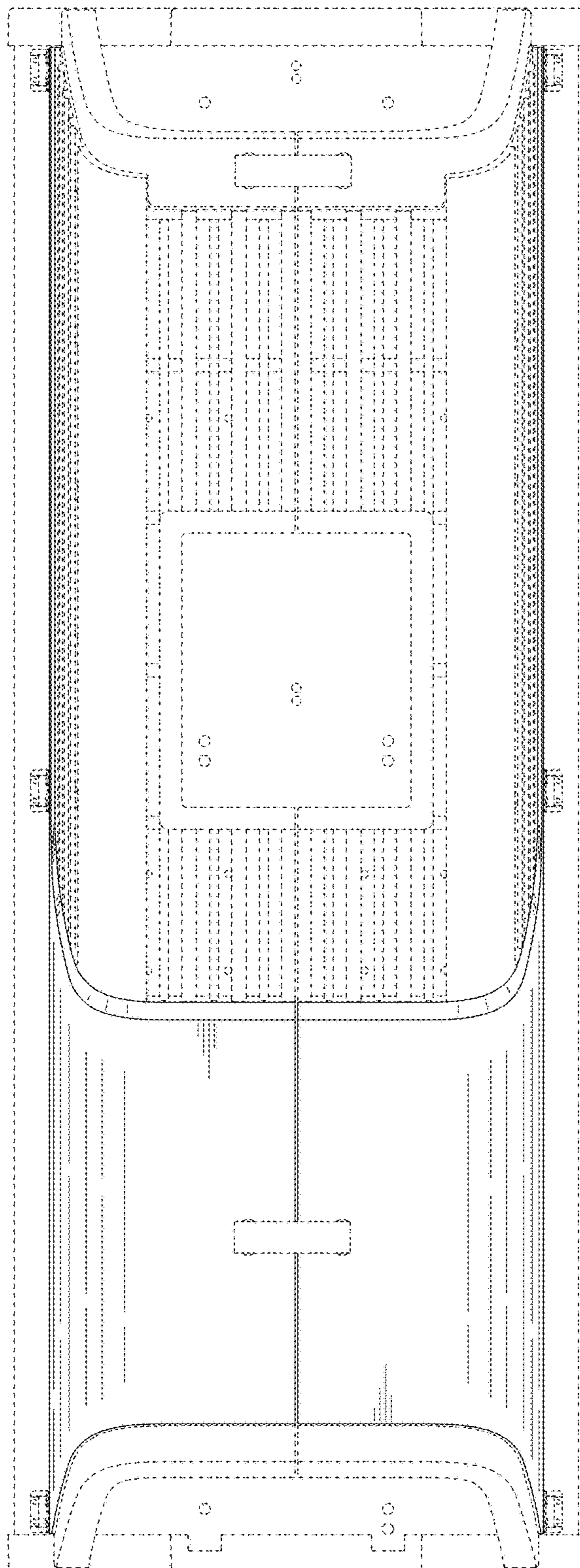


FIG. 4

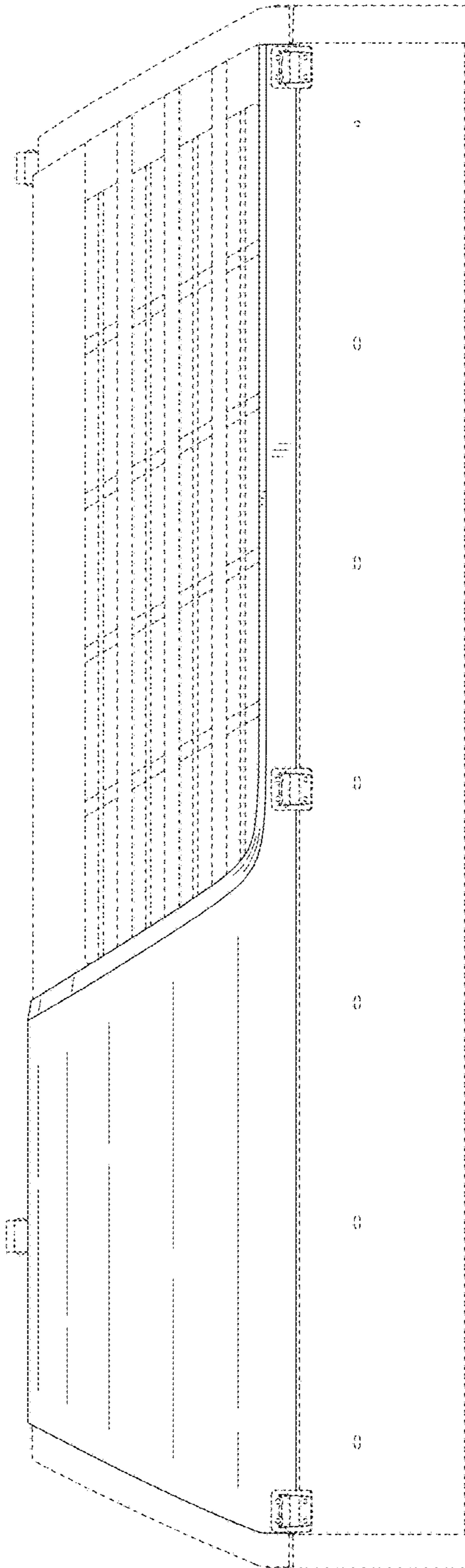


FIG. 5

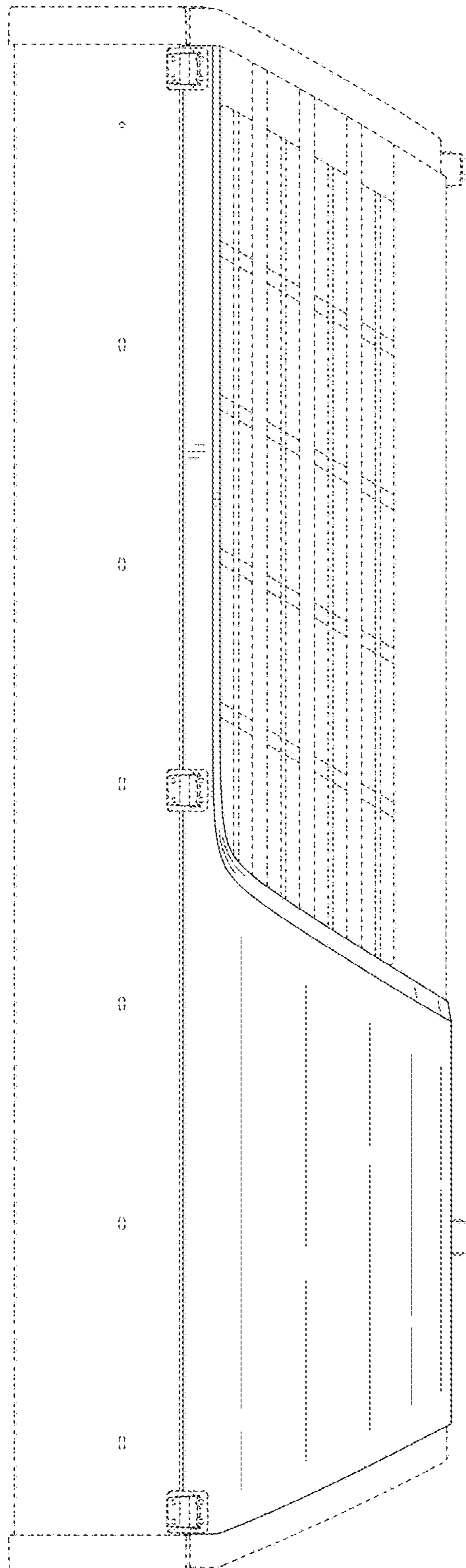


FIG. 6

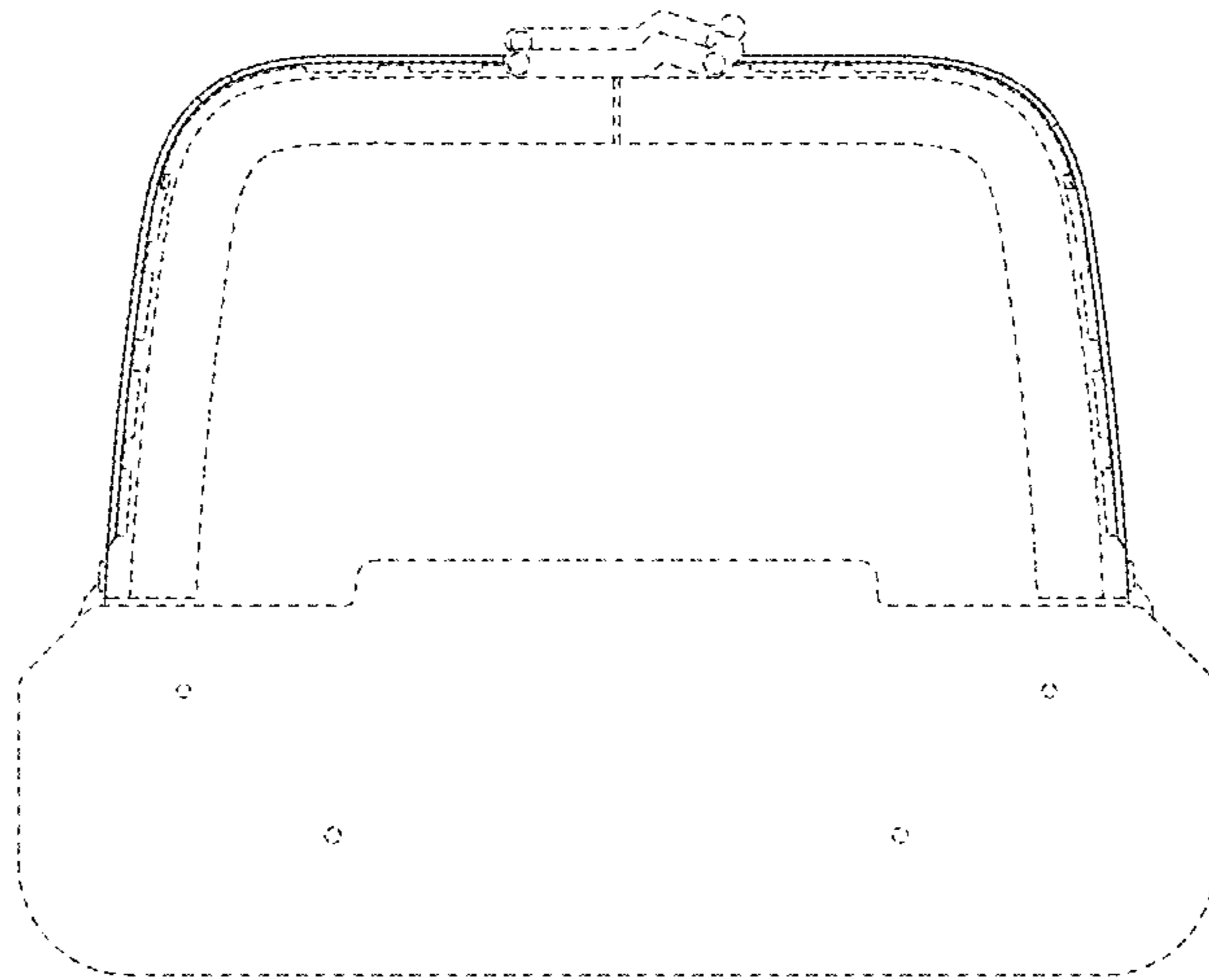


FIG. 7

