



US00D810060S

(12) **United States Design Patent** (10) **Patent No.:** **US D810,060 S**
Cowles et al. (45) **Date of Patent:** **** Feb. 13, 2018**

(54) **ELECTRONIC HOUSING PORTION**

- (71) Applicant: **Crestron Electronics, Inc.**, Rockleigh, NJ (US)
- (72) Inventors: **William Cowles**, New York, NY (US); **Wendy Feldstein**, Old Tappan, NJ (US); **Howard Balch**, Bloomingdale, NJ (US); **Donald Florczak**, Tenafly, NJ (US)
- (73) Assignee: **Crestron Electronics, Inc.**, Rockleigh, NJ (US)
- (**) Term: **15 Years**
- (21) Appl. No.: **29/542,180**
- (22) Filed: **Oct. 12, 2015**

Related U.S. Application Data

- (63) Continuation of application No. 29/480,293, filed on Jan. 24, 2014, now Pat. No. Des. 765,066.
- (51) **LOC (11) Cl.** **14-03**
- (52) **U.S. Cl.**
USPC **D14/239**
- (58) **Field of Classification Search**
USPC D14/135, 137, 139, 140–140.9, 155, 167, D14/240, 242, 243, 348, 349, 351, 354, D14/355, 356, 357, 358, 385, 433, 435, D14/435.1, 436, 474, 480, 496; D13/103, D13/108, 110, 147; D10/75
CPC H04L 12/00; H03K 17/00; H04W 88/00; H04W 88/005; H04W 88/02; H04W 88/08;

(Continued)

(56) **References Cited**

U.S. PATENT DOCUMENTS

- D583,795 S * 12/2008 Keenum D13/152
D641,740 S * 7/2011 Jeon D14/140.6
D647,896 S * 11/2011 Chen D14/314

(Continued)

OTHER PUBLICATIONS

- 6-Channel USB Microphone Mixer, announced Oct. 2015, [online], [site visited Mar. 9, 2017]. Available from Internet, <URL: https://www.crestron.com/products/model/MMX-6-USB>.*
- Primary Examiner* — Eric L Goodman
Assistant Examiner — Sanjeev Paul
- (74) *Attorney, Agent, or Firm* — Crestron Electronics, Inc

(57) **CLAIM**

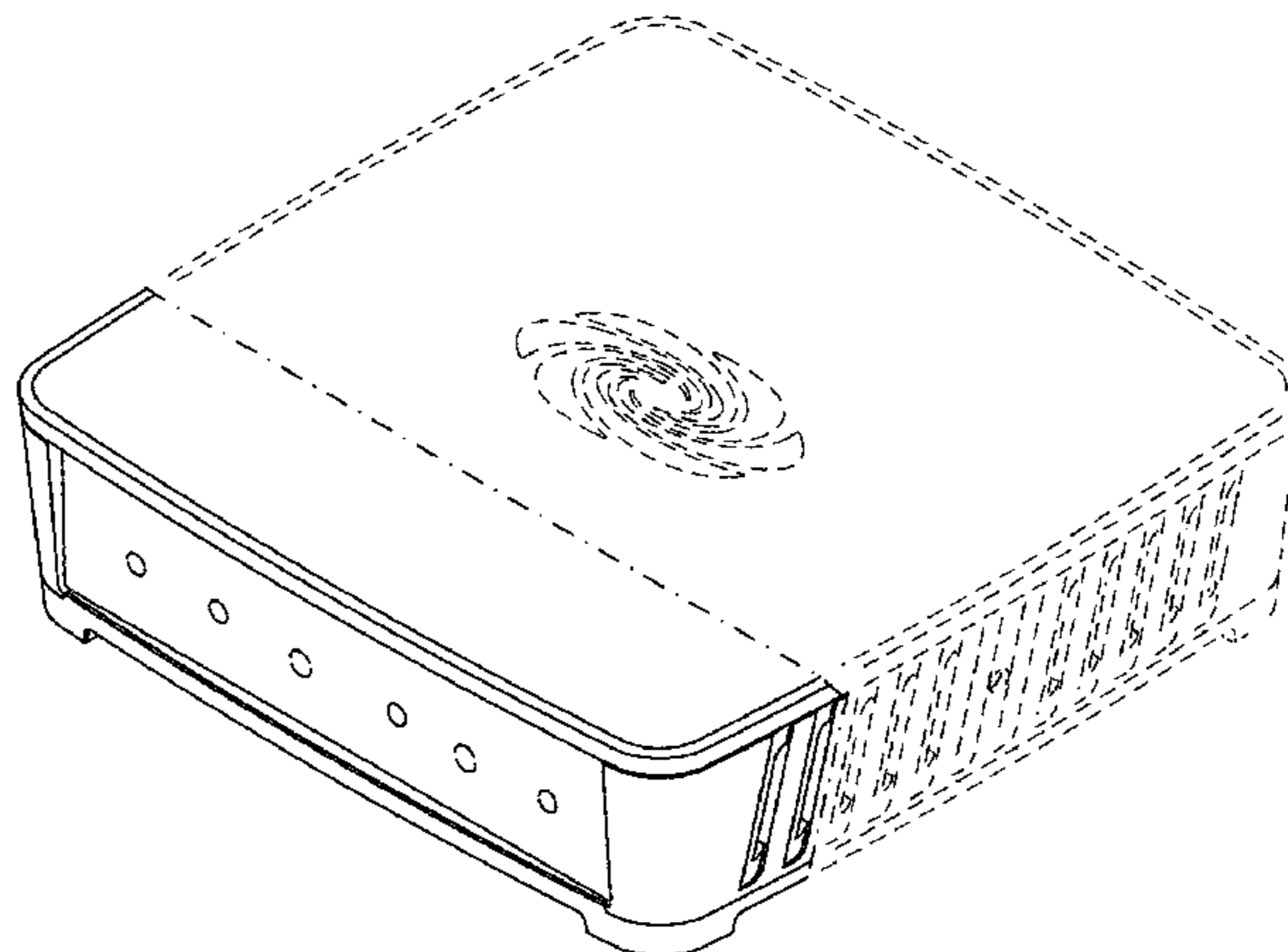
The ornamental design for the electronic housing portion, as shown and described.

DESCRIPTION

FIG. 1 shows a front perspective view of an electronic housing portion.
FIG. 2 shows a back perspective view of the electronic housing portion.
FIG. 3 shows a front elevation view of the electronic housing portion.
FIG. 4 shows a back elevation view of the electronic housing portion.
FIG. 5 shows a right side elevation view of the electronic housing portion.
FIG. 6 shows a top plan view of the electronic housing portion.
FIG. 7 shows a bottom plan view of the electronic housing portion.
FIG. 8 shows a bottom perspective view of the electronic housing portion.

The broken lines shown in the drawings are included for the purpose of illustrating unclaimed portions of the electronic housing portion, the dot-dash lines represents bounds of the claim. The broken lines form no part of the claimed design. The “logo” shown in the drawings (e.g., FIGS. 1, 2 and 6) is a registered trademark of Crestron Electronics, Inc., Rockleigh, N.J., USA.

1 Claim, 8 Drawing Sheets



(58) **Field of Classification Search**

CPC .. H04W 88/085; H04W 88/10; H04W 88/12;
H04W 88/14; H04B 1/38

See application file for complete search history.

(56) **References Cited**

U.S. PATENT DOCUMENTS

D651,993	S	*	1/2012	Cheng	D14/125
D682,266	S	*	5/2013	Wu	D14/240
D686,198	S	*	7/2013	Lewis	D14/240
D686,206	S	*	7/2013	Wu	D14/240
D687,424	S	*	8/2013	Petersen	D14/240
D695,281	S	*	12/2013	Petersen	D14/240
D705,201	S	*	5/2014	Isaacs	D14/240
D707,667	S	*	6/2014	Kono	D14/240
D707,668	S	*	6/2014	Lim	D14/242
D711,359	S	*	8/2014	Marzynski	D14/240
D717,284	S	*	11/2014	Kurosawa	D14/240
D741,304	S	*	10/2015	Cowles	D14/240
D742,864	S	*	11/2015	Kurosawa	D14/240
D742,884	S	*	11/2015	Seflic	D14/433
D743,962	S	*	11/2015	Ikeda	D14/348
D747,356	S	*	1/2016	Jou	D14/203.1
D749,577	S	*	2/2016	Lin	D14/357
D751,056	S	*	3/2016	Huang	D14/242
D754,627	S	*	4/2016	Fustino	D14/188
D759,639	S	*	6/2016	Moon	D14/242
D762,172	S	*	7/2016	Pignotti	D13/108
D762,173	S	*	7/2016	Solomon	D13/110
D764,460	S	*	8/2016	Veja	D14/358
D765,066	S	*	8/2016	Cowles	D14/240
D774,023	S	*	12/2016	Fariello	D14/230
D774,510	S	*	12/2016	Rotsaert	D14/385
D777,724	S	*	1/2017	Sterzick	D14/348
D778,889	S	*	2/2017	Nagao	D14/240
D780,137	S	*	2/2017	Tallqvist	D14/125

* cited by examiner

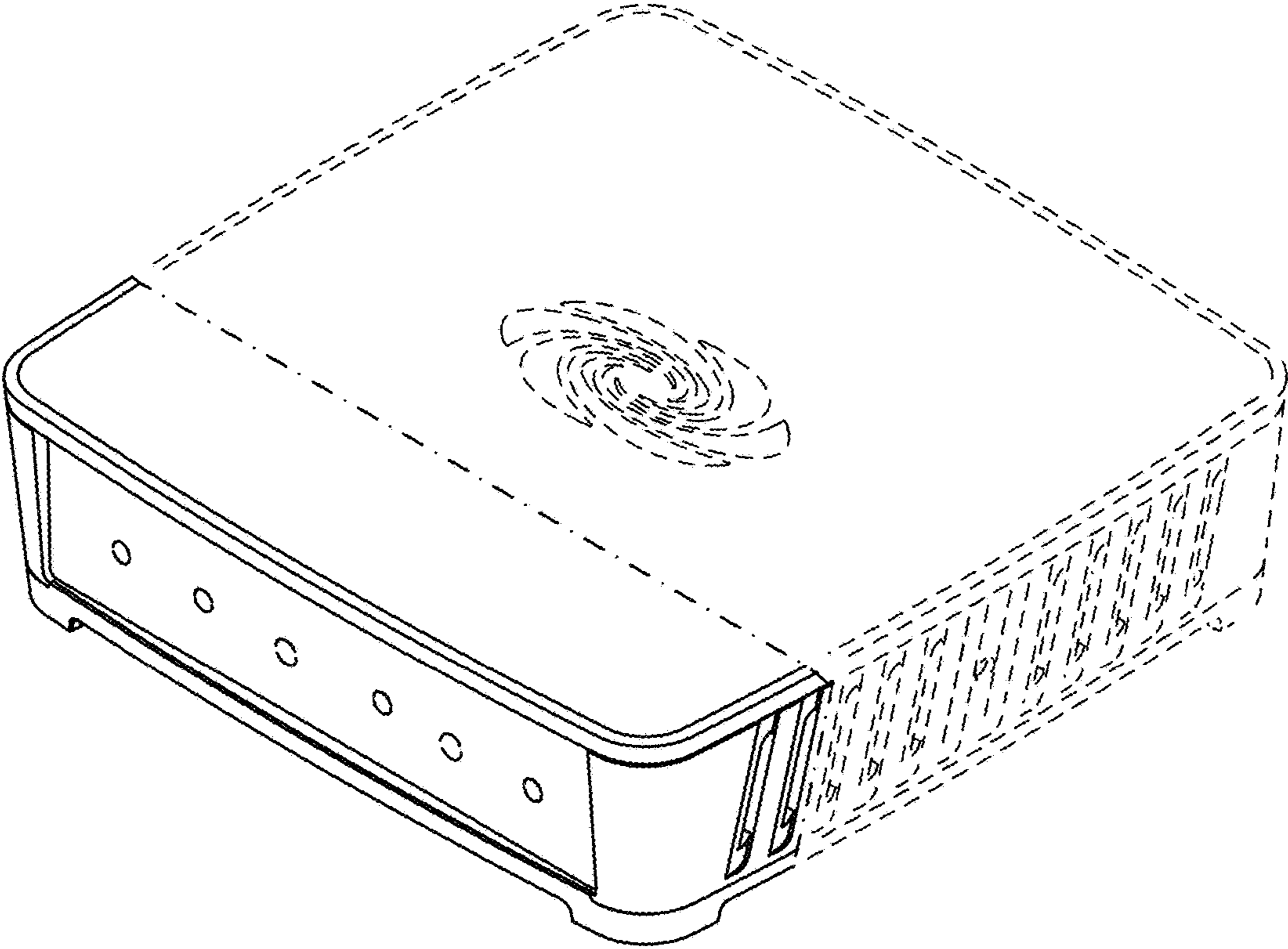


FIG. 1

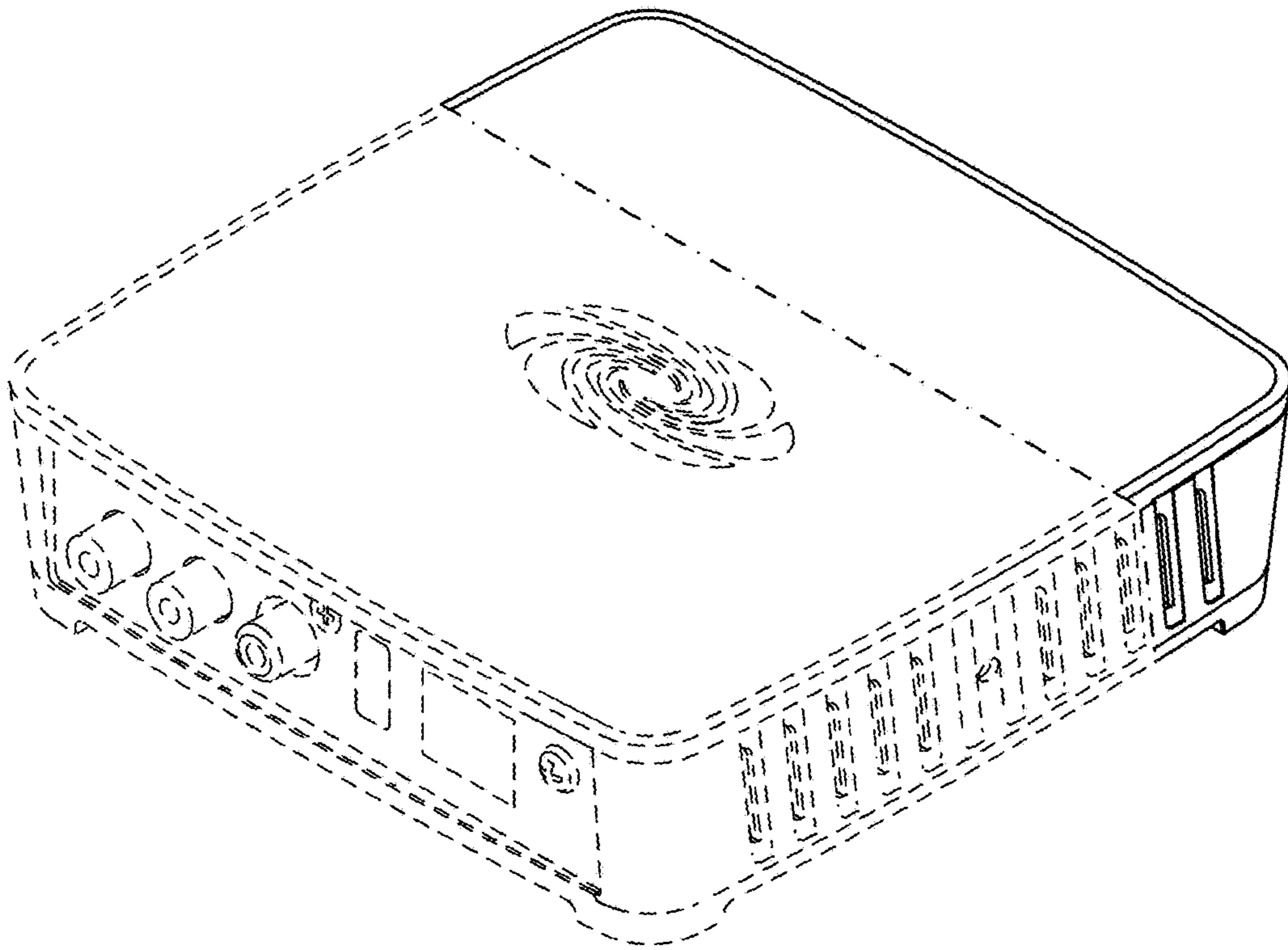


FIG. 2

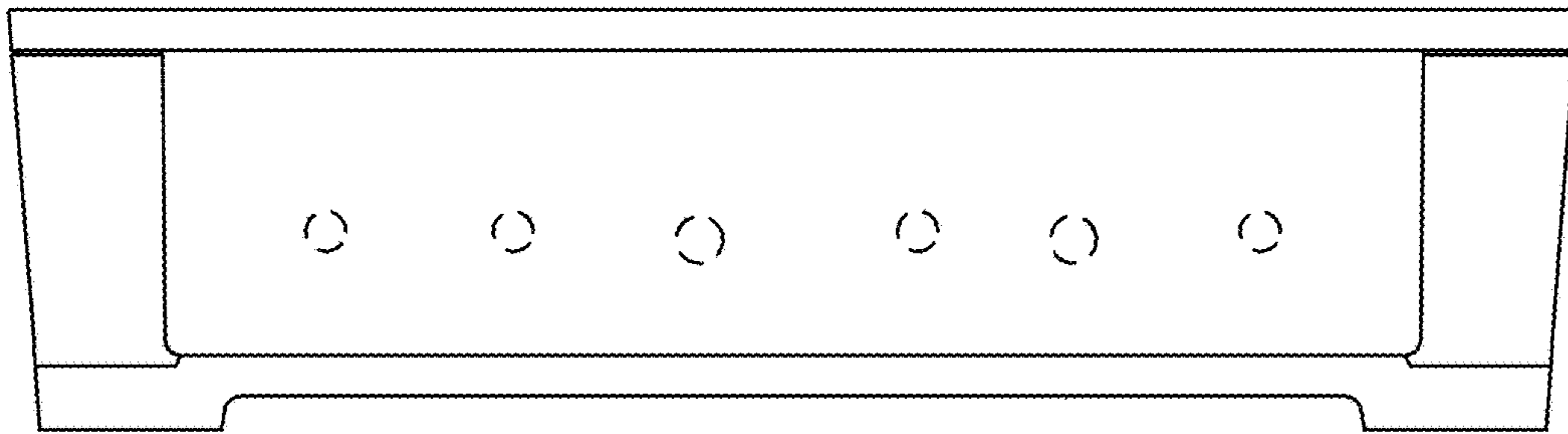


FIG. 3

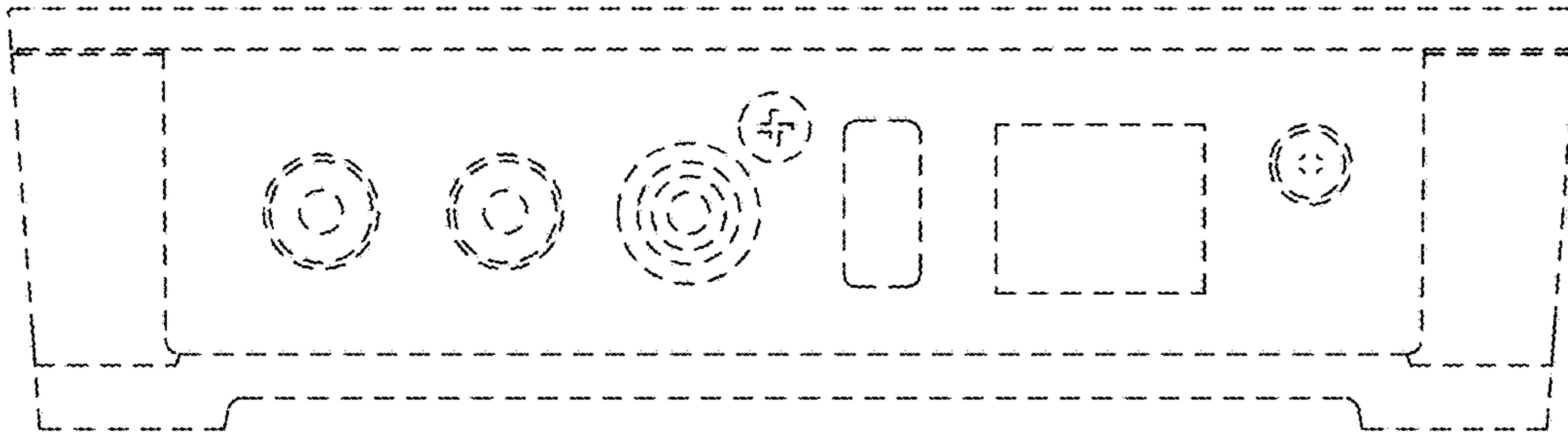


FIG. 4

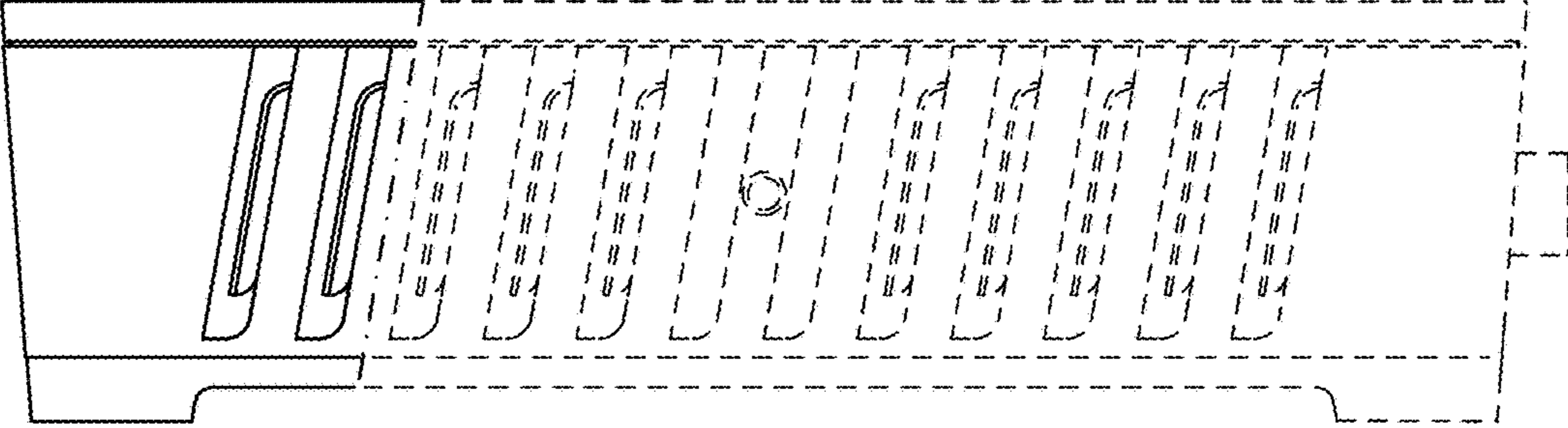


FIG. 5

3

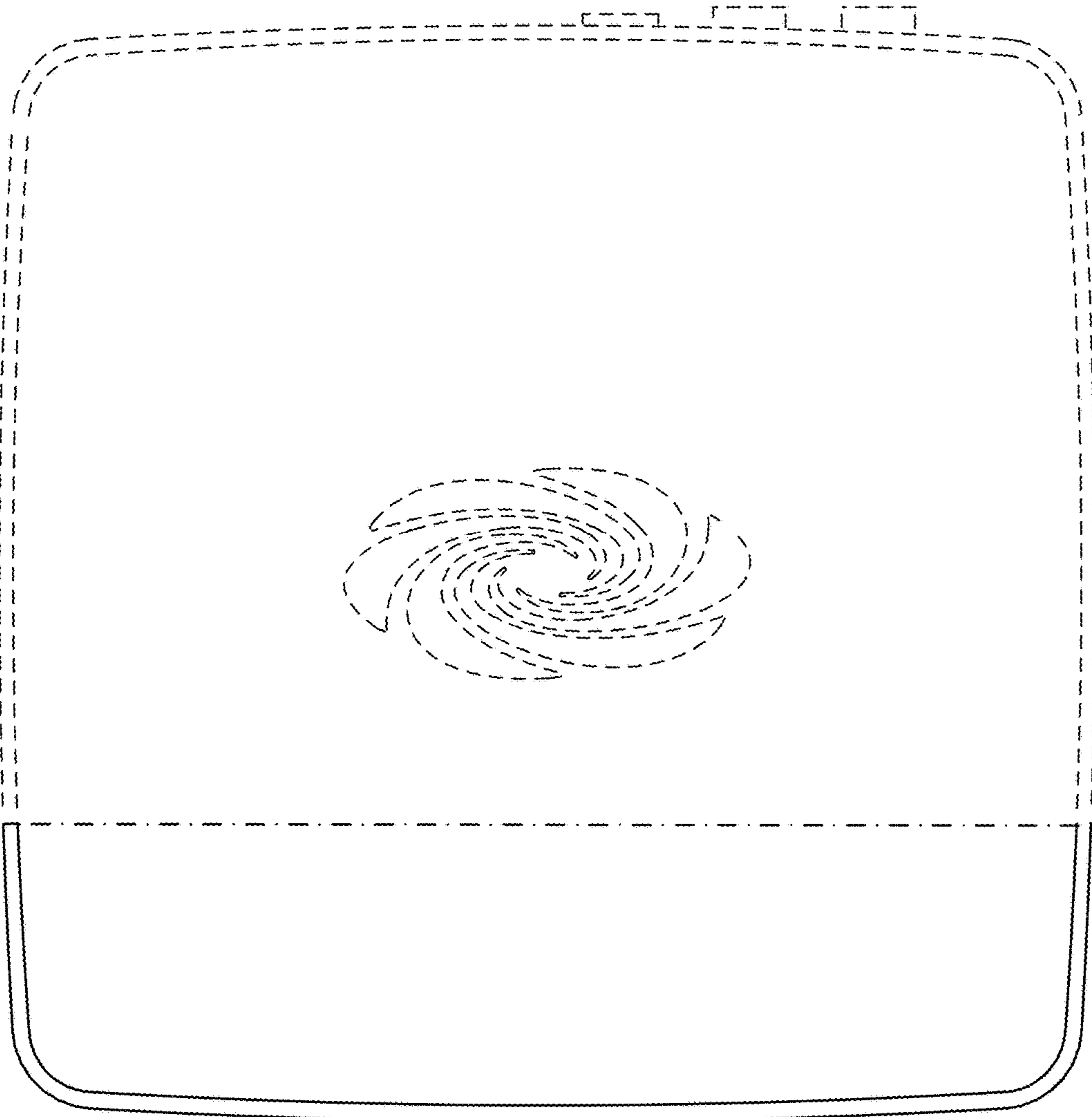


FIG. 6

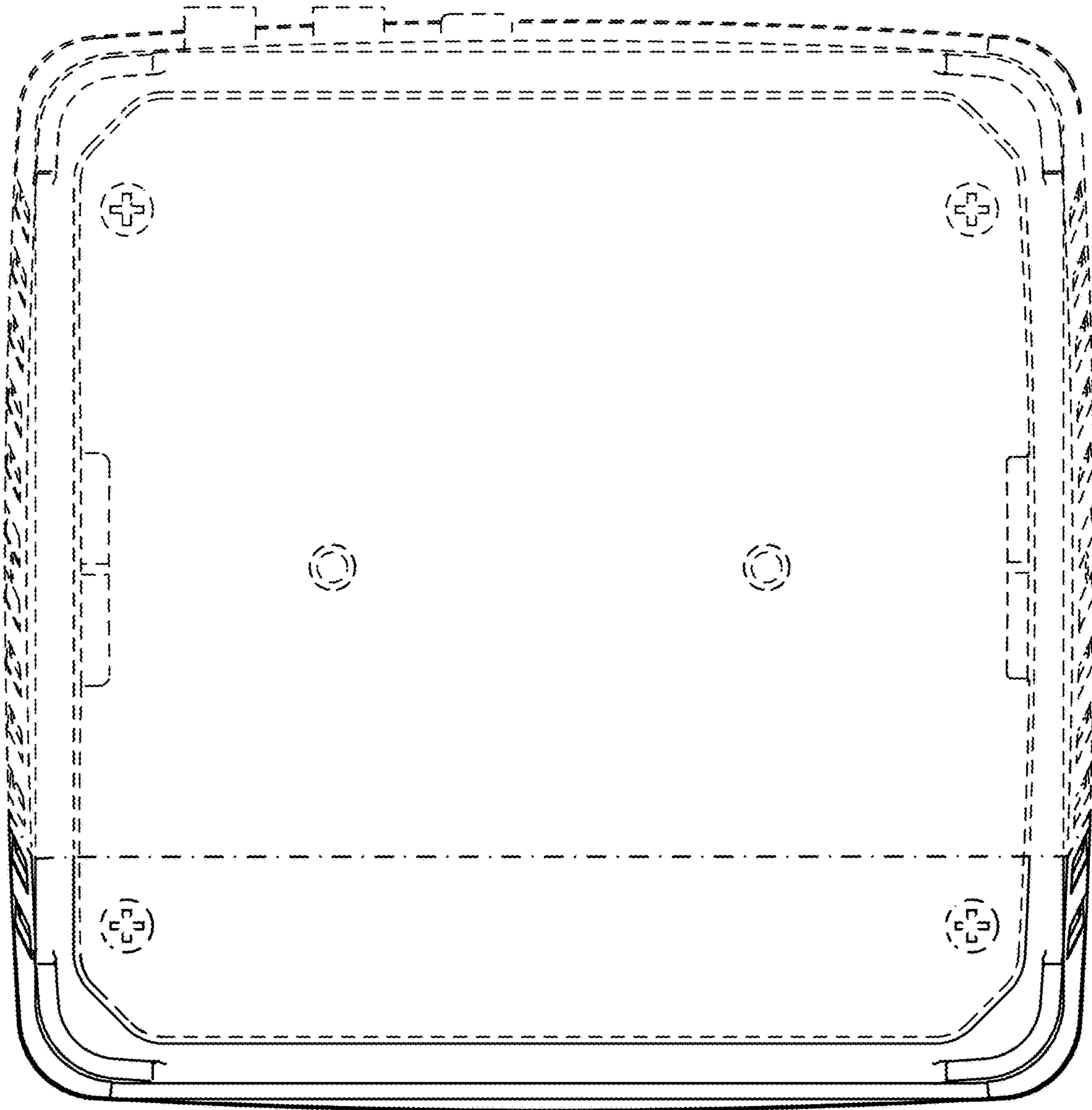


FIG. 7

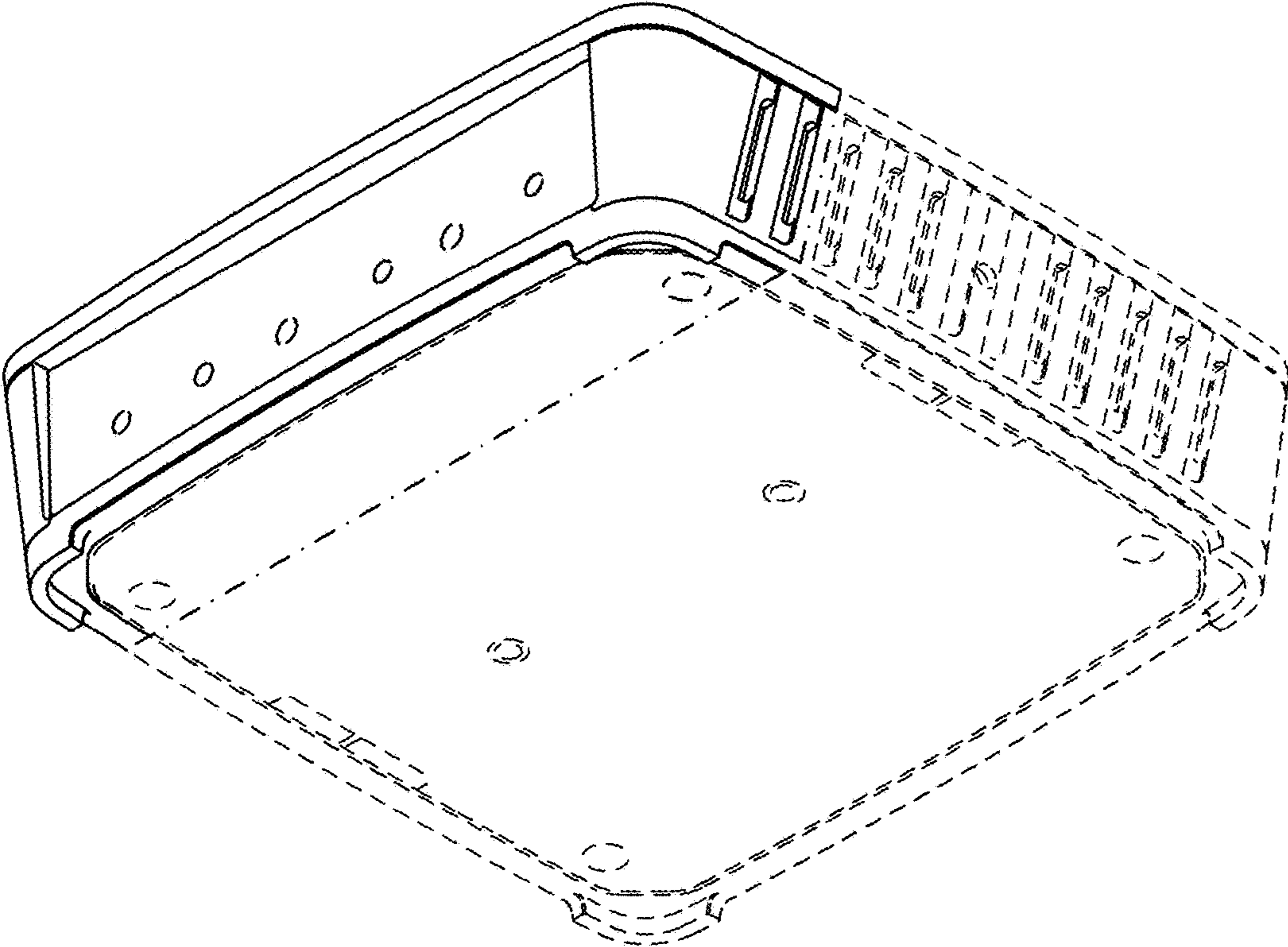


FIG. 8