



US00D810055S

(12) **United States Design Patent** (10) **Patent No.:** **US D810,055 S**
Levine (45) **Date of Patent:** **** Feb. 13, 2018**

(54) **MICROPHONE ACCESSORY**
(71) Applicant: **New Audio LLC**, New York, NY (US)
(72) Inventor: **Jonathan E. Levine**, New York, NY (US)
(73) Assignee: **New Audio LLC**, New York, NY (US)
(**) Term: **15 Years**
(21) Appl. No.: **29/542,067**
(22) Filed: **Oct. 9, 2015**

D617,781 S * 6/2010 Kallas D14/226
D657,218 S * 4/2012 Wilder D8/51
D715,273 S * 10/2014 Holmen D14/229
D723,511 S * 3/2015 Pedersen D14/206
D727,280 S 4/2015 Levine et al.
D727,281 S 4/2015 Levine et al.
D736,174 S 8/2015 Levine et al.
D736,175 S 8/2015 Levine et al.
D741,841 S 10/2015 Fuller et al.

(Continued)

OTHER PUBLICATIONS

<https://www.masterdynamic.co.uk/products/boom-mic> Available Jan. 31, 2015.*

(Continued)

Primary Examiner — Susan Bennett Hattan
Assistant Examiner — Leanne Was-Englehart
(74) *Attorney, Agent, or Firm* — Perkins Coie LLP

Related U.S. Application Data

(63) Continuation of application No. 29/495,943, filed on Jul. 7, 2014, now Pat. No. Des. 741,842.
(51) **LOC (11) Cl.** **14-01**
(52) **U.S. Cl.**
USPC **D14/226**
(58) **Field of Classification Search**
USPC D14/204–206, 209.1, 217, 225–229, 299;
181/20, 151; 379/430, 431, 454;
381/355, 361, 362, 363, 367; 455/95,
455/128
CPC H04R 1/08; H04R 1/105; H04R 1/1016;
H04R 2201/107
See application file for complete search history.

(57) **CLAIM**

The ornamental design for a microphone accessory, as shown and described.

DESCRIPTION

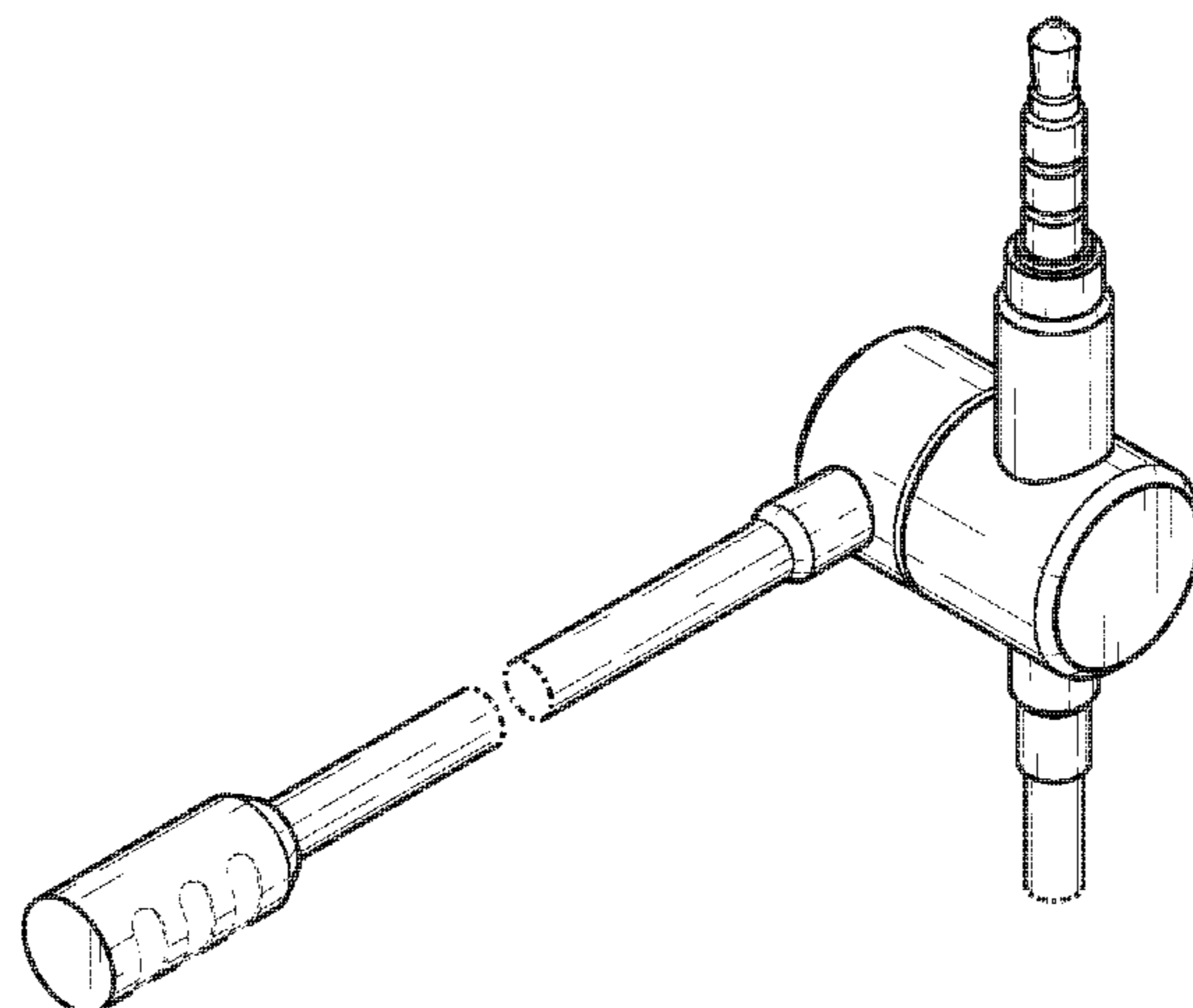
FIG. 1 is a perspective view of a microphone accessory showing my design, as viewed from the top and front. FIG. 2 is a front elevational view thereof. FIG. 3 is a back elevational view thereof. FIG. 4 is a left side elevational view thereof. FIG. 5 is a right side elevational view thereof. FIG. 6 is a top plan view thereof; and, FIG. 7 is a bottom plan view thereof. The evenly spaced broken lines depict portions of the microphone accessory that form no part of the claimed design. The uneven broken lines depict the limits of the claim. The portions between the uneven broken lines form no part of the claimed design.

1 Claim, 2 Drawing Sheets

(56) **References Cited**

U.S. PATENT DOCUMENTS

3,922,725 A 12/1975 Csiki
D409,621 S * 5/1999 Andrea D14/206
D410,466 S 6/1999 Mouri et al.
D436,348 S * 1/2001 McGugan D14/142
6,625,293 B1 * 9/2003 Nageno H04R 1/08
181/20
D508,691 S * 8/2005 Meyer D14/228
D533,166 S * 12/2006 Marquez D14/225
7,447,529 B2 * 11/2008 Gunter H04R 1/083
379/430



(56)

References Cited

U.S. PATENT DOCUMENTS

D741,842 S * 10/2015 Levine D14/226
9,297,409 B2 * 3/2016 Kallas H04R 1/083
D763,228 S * 8/2016 Carr D14/206
D772,206 S * 11/2016 Lasier D14/230
D774,490 S * 12/2016 Lin D14/205
D776,083 S * 1/2017 Lee D14/205
D776,635 S * 1/2017 Chang D14/205
D776,637 S * 1/2017 Chen D14/206
D777,138 S * 1/2017 Fletcher D14/205
D777,139 S * 1/2017 Fletcher D14/205
2016/0119702 A1 * 4/2016 Matsui H04R 1/083
381/367

OTHER PUBLICATIONS

U.S. Appl. No. 14/821,619, filed Aug. 7, 2015, Levine, Jonathan E.,
et al.
U.S. Appl. No. 14/821,643, filed Aug. 7, 2015, Levine, Jonathan E.,
et al.
U.S. Appl. No. 29/520,926, filed Mar. 18, 2015, Levine, Jonathan E
et al.

U.S. Appl. No. 29/520,928, filed Mar. 18, 2015, Levine, Jonathan
E., et al.
U.S. Appl. No. 29/532,363, filed Jul. 6, 2015, Levine, Jonathan E.,
et al.
U.S. Appl. No. 29/532,834, filed Jul. 10, 2015, Levine, Jonathan E.,
et al.
U.S. Appl. No. 29/532,871, filed Jul. 10, 2015, Levine, Jonathan E.,
et al.
U.S. Appl. No. 29/535,635, filed Aug. 7, 2015, Levine, Jonathan E.,
et al.
Non-Final Office Action for Design U.S. Appl. No. 29/481,794,
dated Dec. 9, 2014, U.S. Patent and Trademark Office, 8 pages.
Non-Final Office Action for Design U.S. Appl. No. 29/481,796,
dated Nov. 25, 2014, U.S. Patent and Trademark Office, 8 pages.
Notice of Allowance for Design U.S. Appl. No. 29/481,787, dated
Dec. 10, 2014, U.S. Patent and Trademark Office, 11 pages.
Notice of Allowance for Design U.S. Appl. No. 29/481,791, dated
Dec. 3, 2014, U.S. Patent and Trademark Office, 8 pages.
Notice of Allowance for Design U.S. Appl. No. 29/481,794, dated
Apr. 17, 2015, U.S. Patent and Trademark Office, 6 pages.
Notice of Allowance for Design U.S. Appl. No. 29/481,796, dated
Apr. 10, 2015, U.S. Patent and Trademark Office, 5 pages.
Notice of Allowance for Design U.S. Appl. No. 29/495,943, dated
Jun. 24, 2015, U.S. Patent and Trademark Office, 18 pages.

* cited by examiner

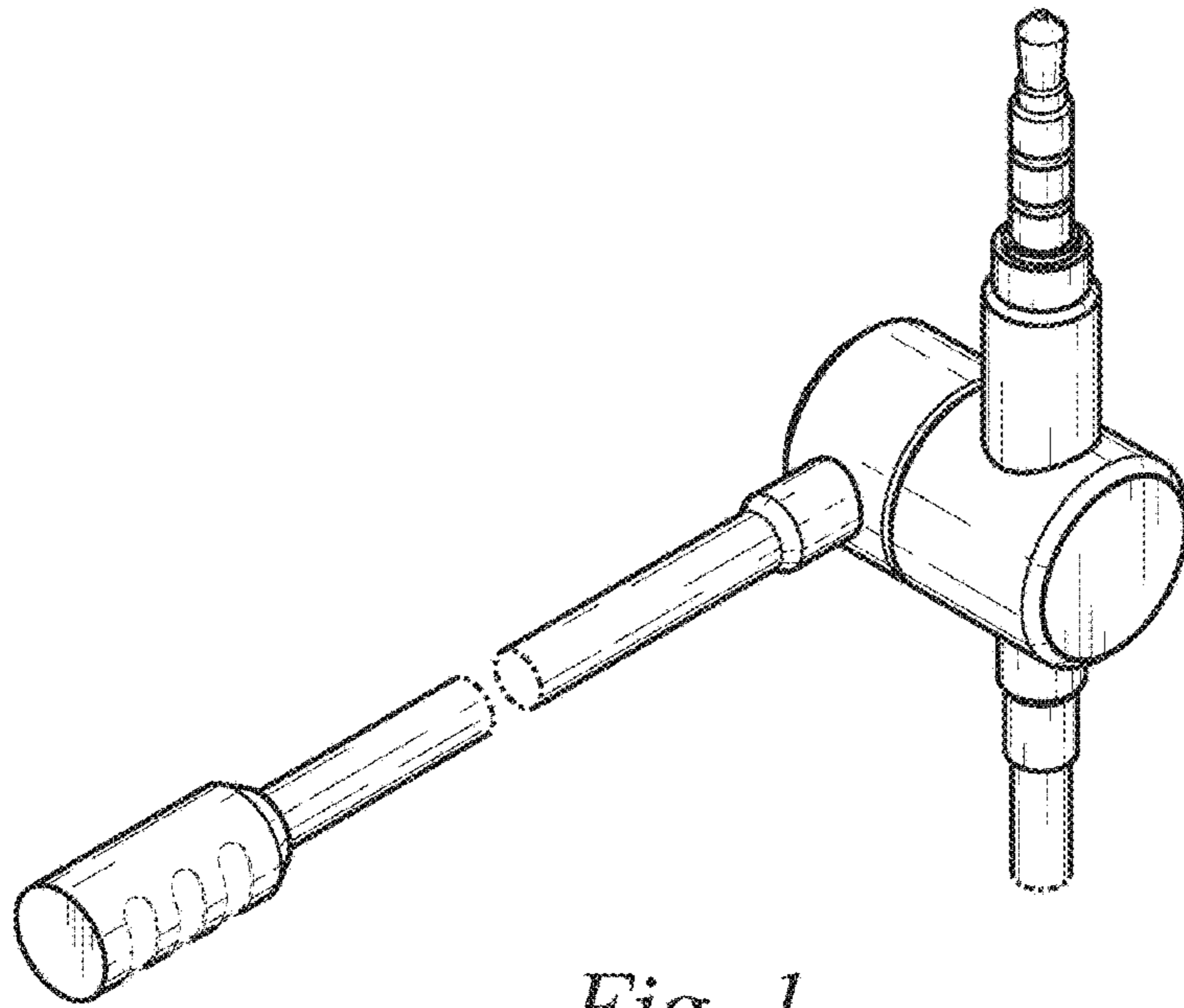


Fig. 1

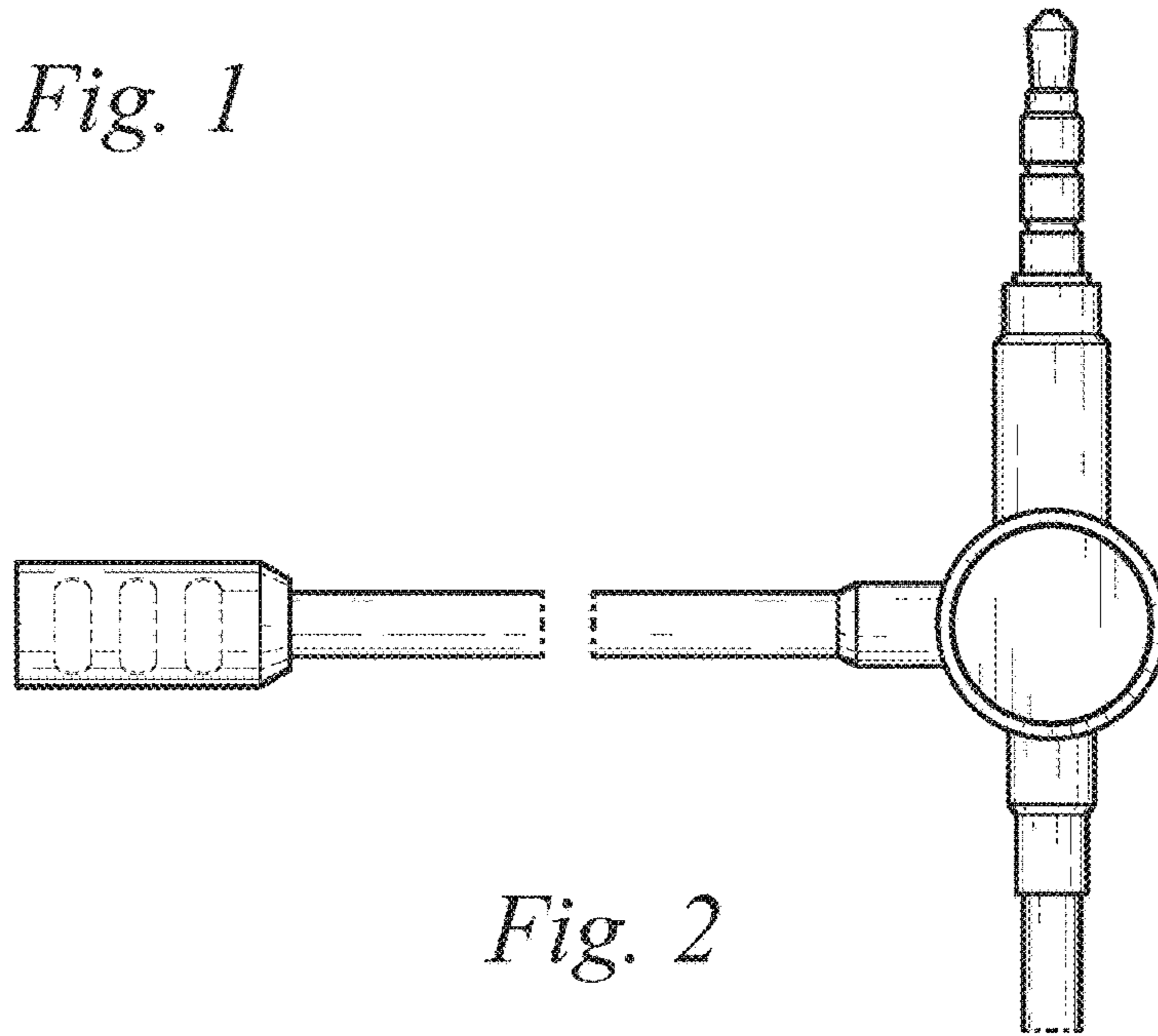


Fig. 2

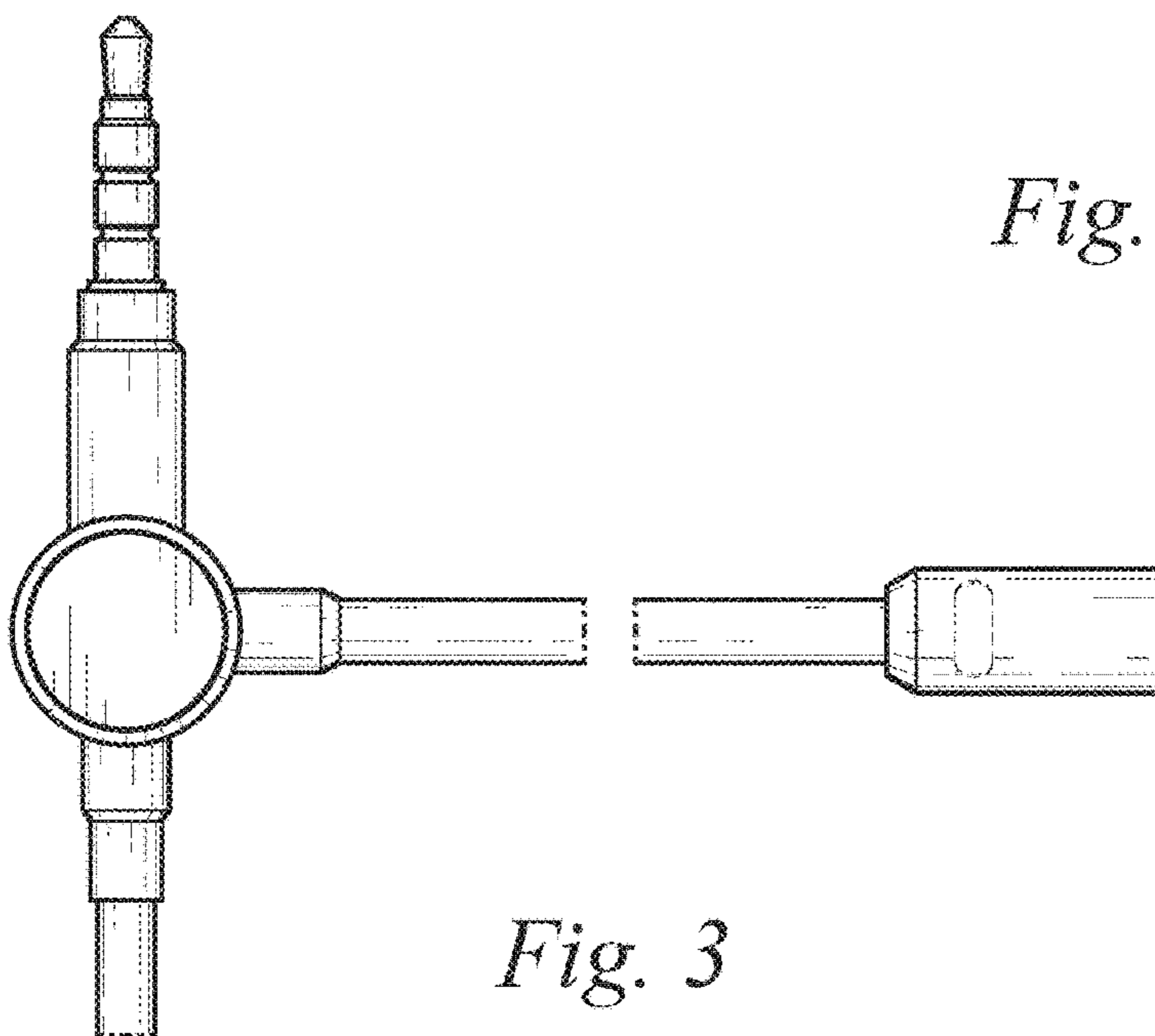


Fig. 3

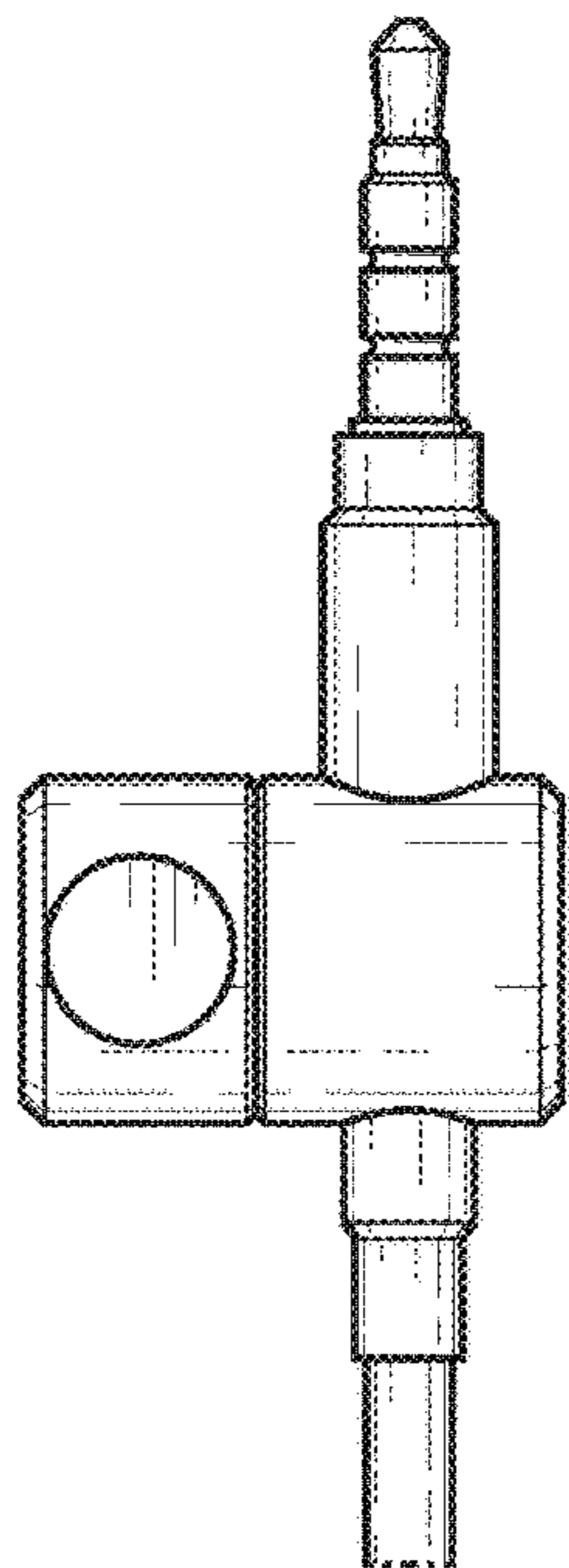


Fig. 4

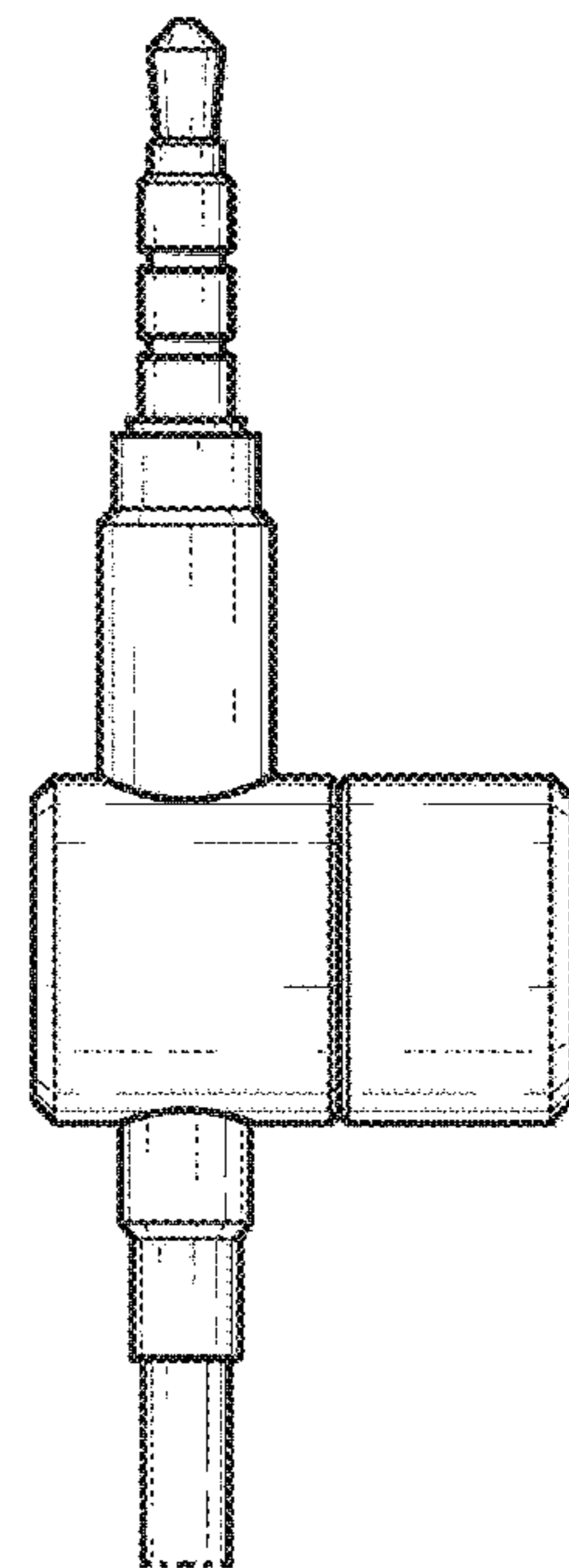


Fig. 5

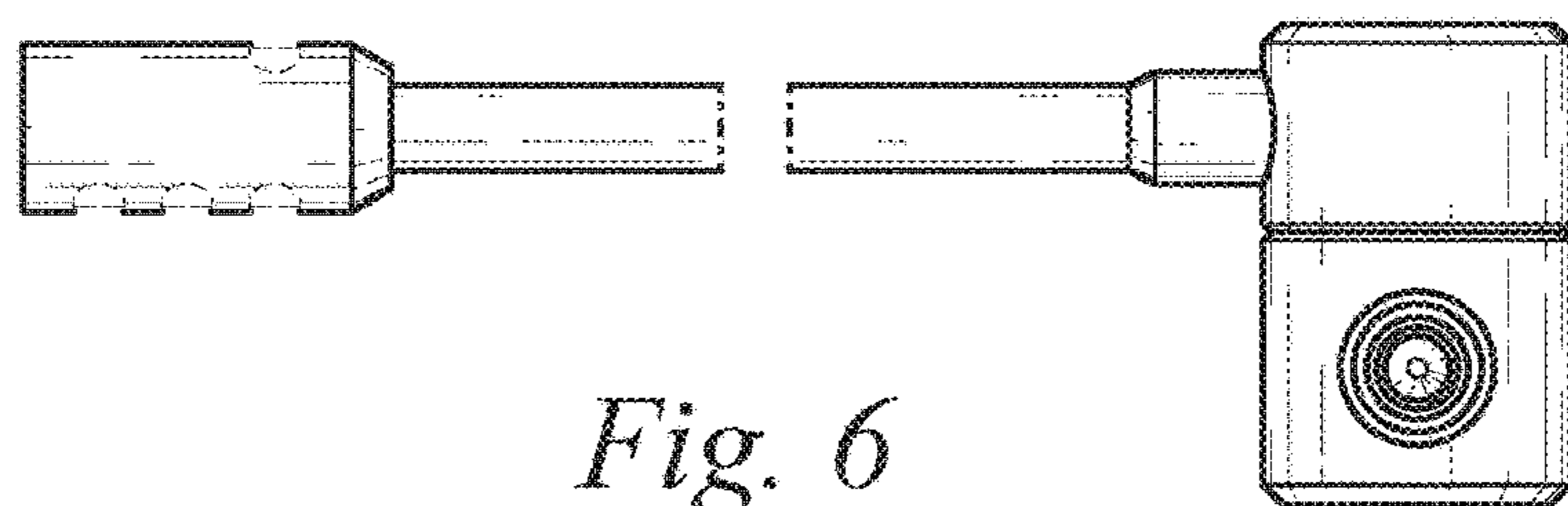


Fig. 6

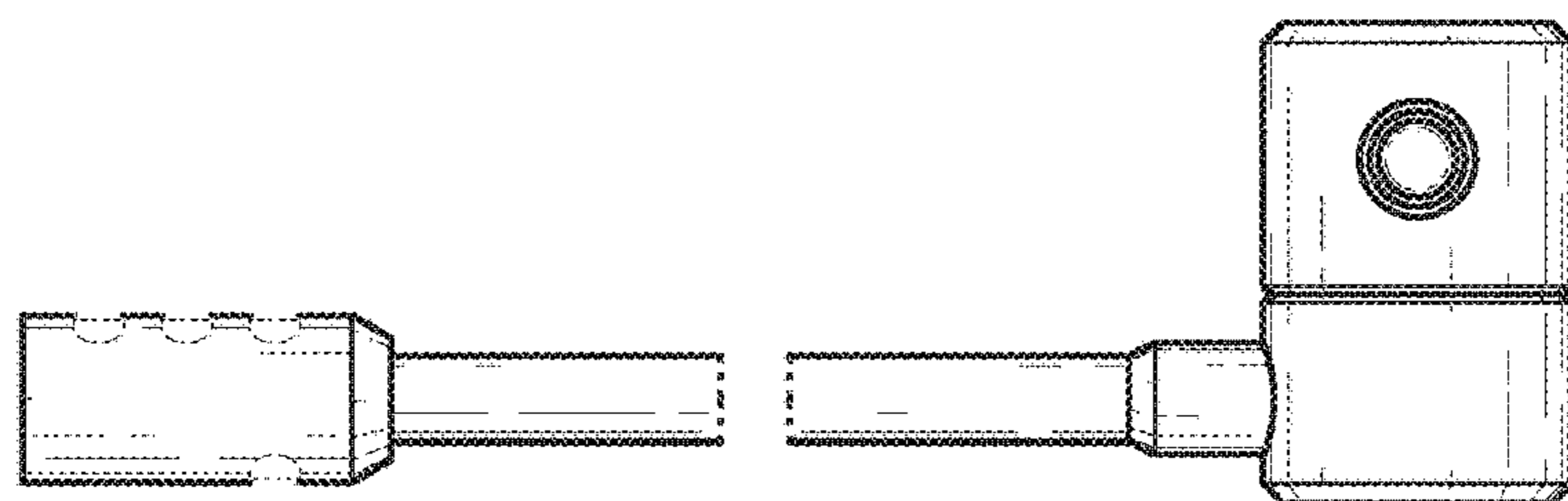


Fig. 7