



US00D810052S

(12) **United States Design Patent**
Glezerman

(10) **Patent No.:** **US D810,052 S**
(45) **Date of Patent:** **** Feb. 13, 2018**

(54) **COMMUNICATION DEVICE**

(71) Applicant: **CARDO SYSTEMS, Inc.**, Pittsburgh, PA (US)

(72) Inventor: **Abraham Glezerman**, Tel Aviv (IL)

(73) Assignee: **CARDO SYSTEMS, Inc.**, Pittsburgh, PA (US)

(**) Term: **15 Years**

(21) Appl. No.: **29/580,086**

(22) Filed: **Oct. 5, 2016**

(51) **LOC (11) Cl.** **14-01**

(52) **U.S. Cl.**
USPC **D14/223**; D14/206

(58) **Field of Classification Search**
USPC D14/223, 206, 205, 188, 192, 137, 138,
D14/168, 191, 431; D13/108; 181/129,
181/130, 135; 379/430, 431; 381/380,
381/381, 375, 376, 382; 455/90.2, 575.1,
455/550.1
CPC H04R 1/10; H04R 25/00; H04R 5/033;
H04R 5/0335; H05K 5/03
See application file for complete search history.

(56) **References Cited**

U.S. PATENT DOCUMENTS

2,883,523	A *	4/1959	Meserow	H04B 5/00 200/61.47
3,549,831	A *	12/1970	Forney	H04M 1/05 2/8.1
3,763,434	A *	10/1973	Blesch	H04B 1/3883 455/349
3,956,701	A *	5/1976	James, Jr.	G08B 3/1058 224/197
4,083,481	A *	4/1978	Selinko	A45F 5/02 224/269
4,397,513	A *	8/1983	Clark	H01R 23/68 365/1

(Continued)

Primary Examiner — Paula Allen Greene

(74) *Attorney, Agent, or Firm* — Andrew W. Chu; Craft Chu PLLC

(57) **CLAIM**

The ornamental design for a communication device, as shown and described.

DESCRIPTION

FIG. 1 is an upper perspective view of the communication device showing my design in an assembled configuration with a headset component attached to a cradle component and with markings and attachments in broken lines;

FIG. 2 is a side elevation view thereof with markings and attachments in broken lines;

FIG. 3 is an opposite side elevation view with markings and attachments in broken lines;

FIG. 4 is a top plan view thereof with markings and attachments in broken lines;

FIG. 5 is a bottom plan view thereof with markings and attachments in broken lines;

FIG. 6 is an end elevation view thereof with attachments in broken lines;

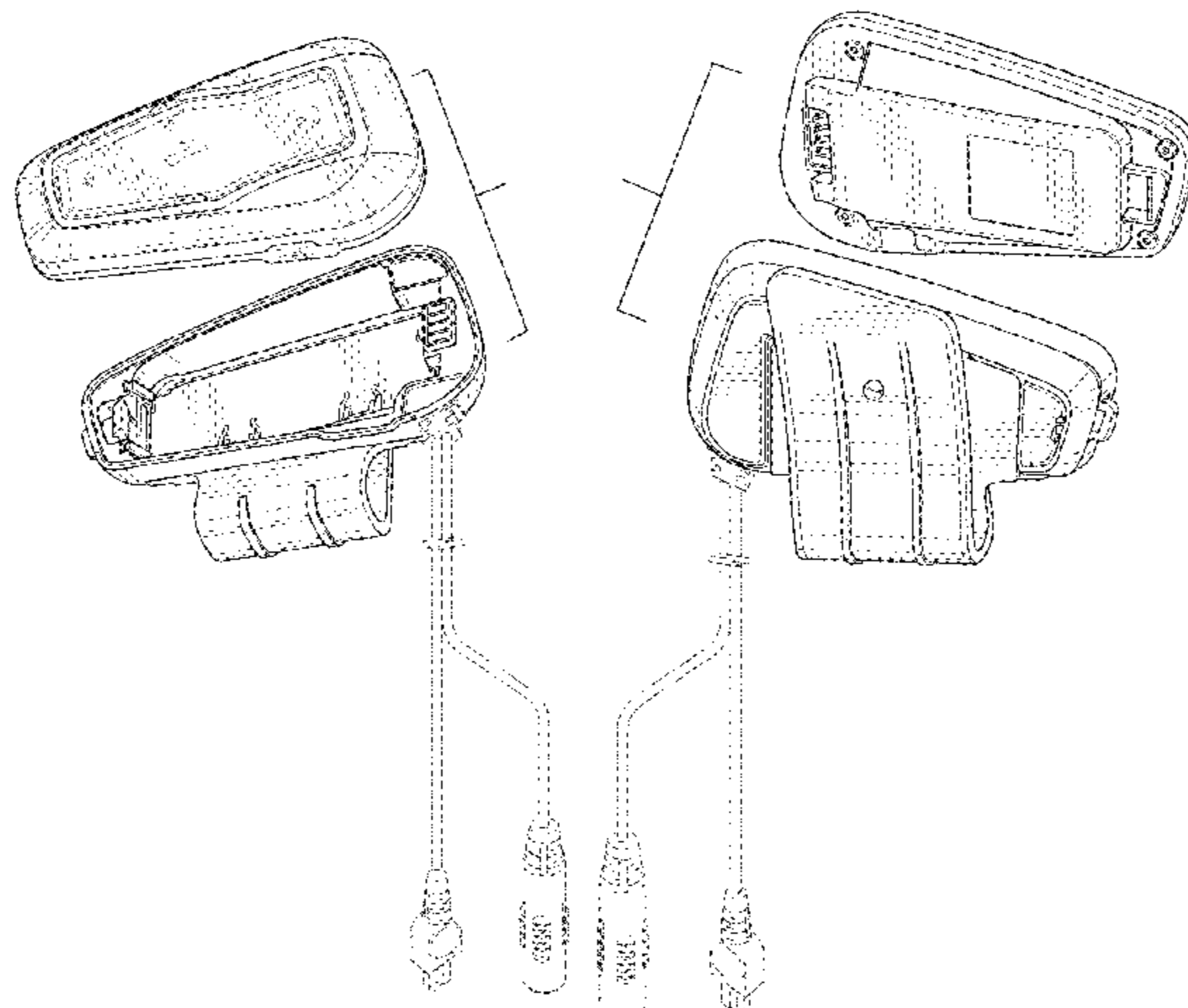
FIG. 7 is an opposite end elevation view thereof with attachments in broken lines;

FIG. 8 is another perspective view thereof, showing my design in a disassembled configuration with the headset component separated from the cradle component with markings and attachments in broken lines; and,

FIG. 9 is still another perspective view thereof, showing my design in the disassembled configuration from another side with attachments in broken lines.

The communication device is a receiver and transmitter for attachment to a motorcycle helmet. The markings and attachments in broken lines represent environment and form no part of the claimed design.

1 Claim, 4 Drawing Sheets



(56)

References Cited

U.S. PATENT DOCUMENTS

4,484,029 A *	11/1984	Kenney	H04M 1/05	6,898,448 B2 *	5/2005	Liao	H04M 1/05
				379/430					381/151
5,052,943 A *	10/1991	Davis	G06F 1/1632	6,904,147 B2 *	6/2005	Lenz	H04M 1/05
				320/115					379/430
5,081,709 A *	1/1992	Benyo	A45F 5/02	6,922,473 B2 *	7/2005	Turnbull	H04M 1/05
				224/669					381/110
5,155,659 A *	10/1992	Kunert	G06F 3/0238	D517,052 S *	3/2006	Skulley	D14/223
				220/375	D539,777 S *	4/2007	Pena Angarita	D14/138 R
5,189,358 A *	2/1993	Tomura	B60R 11/0241	D558,742 S *	1/2008	Koller	D14/225
				320/115	D567,216 S *	4/2008	Densho	D14/205
5,212,722 A *	5/1993	Murata	H04M 1/6075	D575,771 S *	8/2008	Tolve	D14/192
				379/390.01	7,461,936 B2 *	12/2008	Jannard	G02C 3/003
5,313,663 A *	5/1994	Norris	H04B 1/086					351/158
				455/347	D584,293 S *	1/2009	Kim	D14/223
5,356,060 A *	10/1994	Kuroda	A45F 5/02	D597,072 S *	7/2009	Asai	D14/206
				224/269	D602,002 S *	10/2009	Asai	D14/206
D352,706 S *	11/1994	Hong	D14/137	D602,919 S *	10/2009	Bodley	D14/225
5,414,596 A *	5/1995	Eaton	H01M 2/1005	D605,168 S *	12/2009	Jaakkola	D14/205
				361/814	D607,440 S *	1/2010	Yamakawa	D14/206
5,517,683 A *	5/1996	Collett	H04B 1/3827	D630,620 S *	1/2011	Lee	D14/223
				379/450	D635,962 S *	4/2011	Kelley	D14/206
5,666,274 A *	9/1997	Corso	H04M 1/0252	D646,280 S *	10/2011	Yano	D14/188
				361/725	D659,118 S *	5/2012	Watters	D14/206
6,122,369 A *	9/2000	Hwang	H04M 1/6058	D661,281 S *	6/2012	Mahaffy	D14/206
				379/420.03	D663,715 S	7/2012	Glezerman		
D445,416 S	7/2001	Glezerman			8,706,043 B2	4/2014	Glezerman		
D456,384 S *	4/2002	Ng	D14/192	D725,626 S *	3/2015	Kalhok	D14/205
D475,994 S *	6/2003	Schmidt	D14/223	D736,177 S *	8/2015	Winters	D14/192
D479,222 S *	9/2003	Lu	D14/192	D737,796 S *	9/2015	Liu	D14/205
D498,743 S *	11/2004	Robinson	D14/188	D743,947 S *	11/2015	Yoshimura	D14/223
					D756,974 S	5/2016	Glezerman		
					D757,683 S	5/2016	Glezerman		

* cited by examiner

FIG. 1

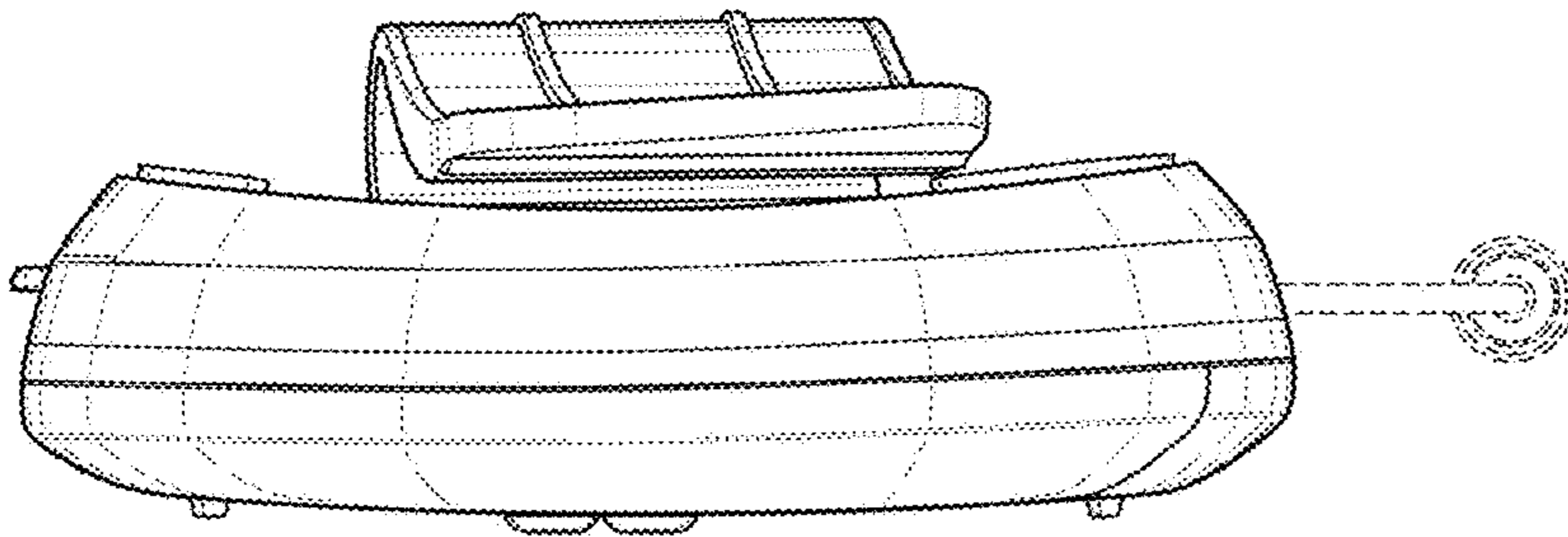
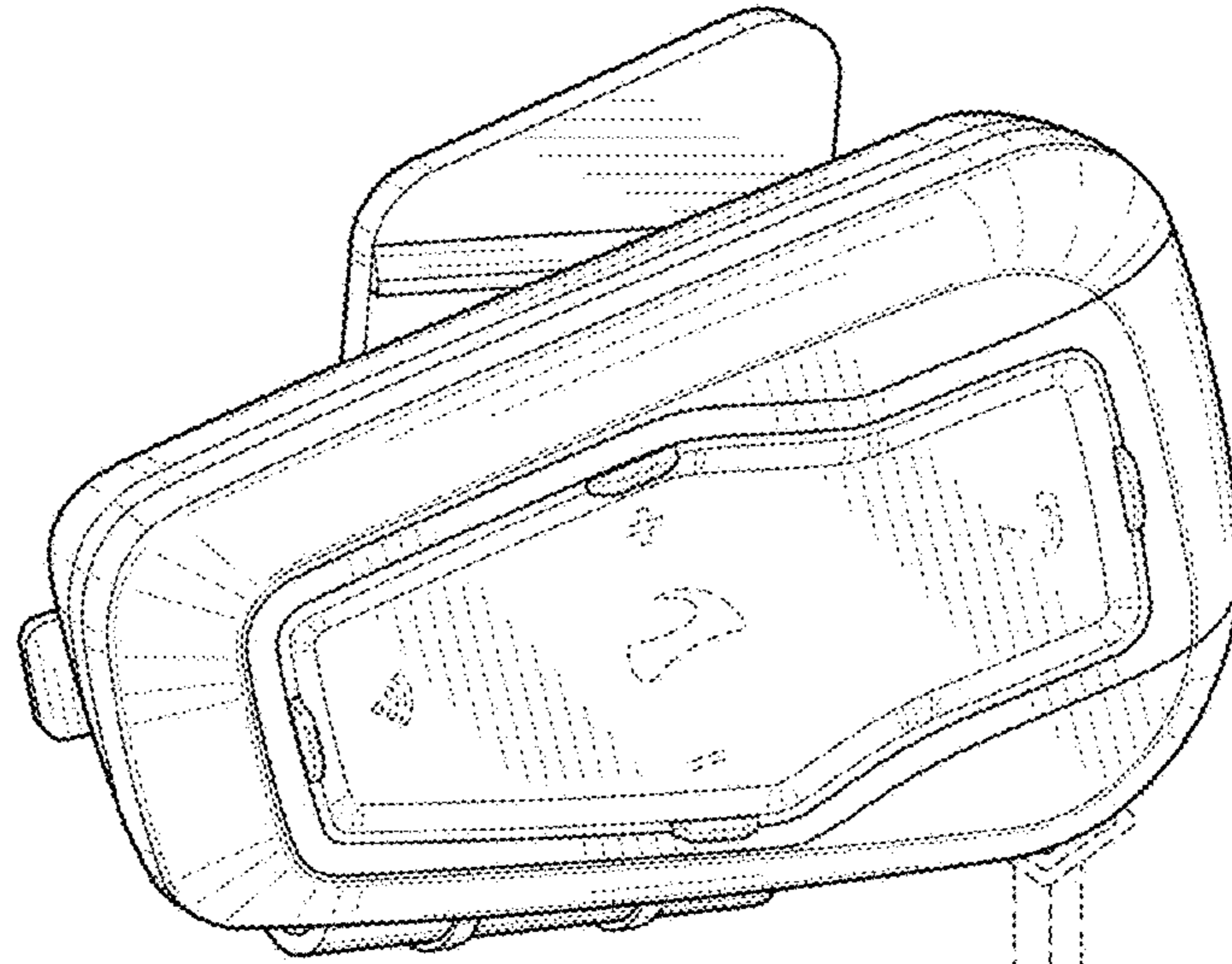


FIG. 2

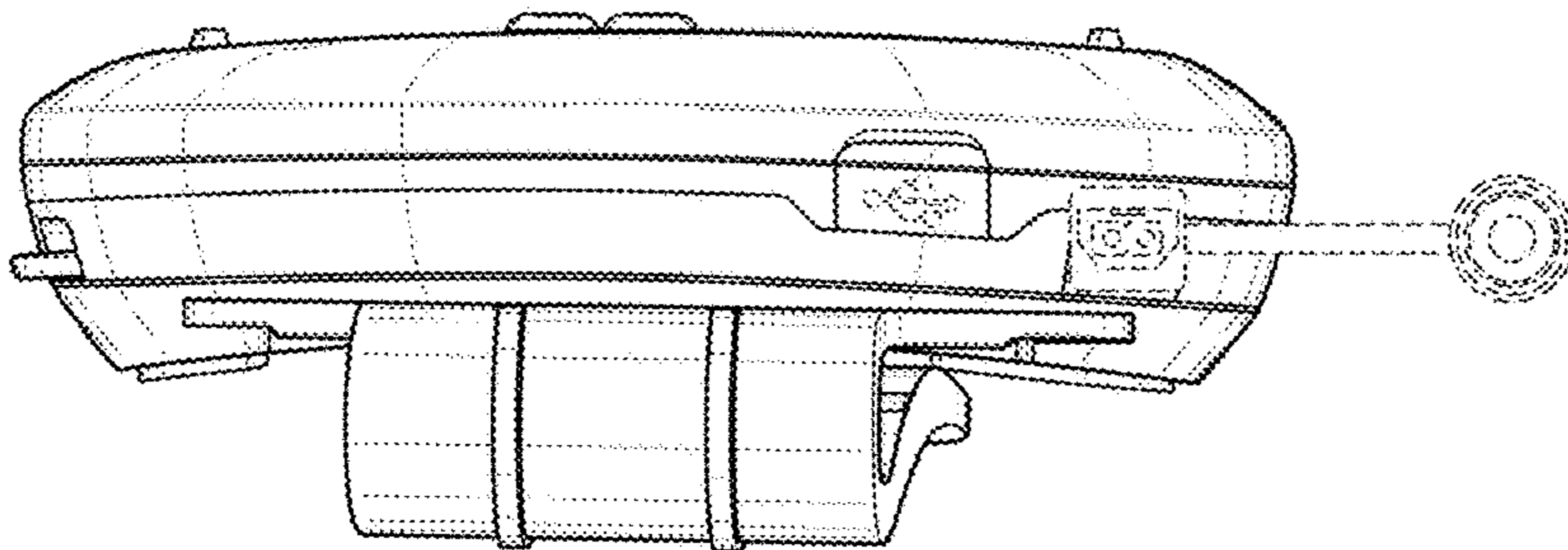


FIG. 3

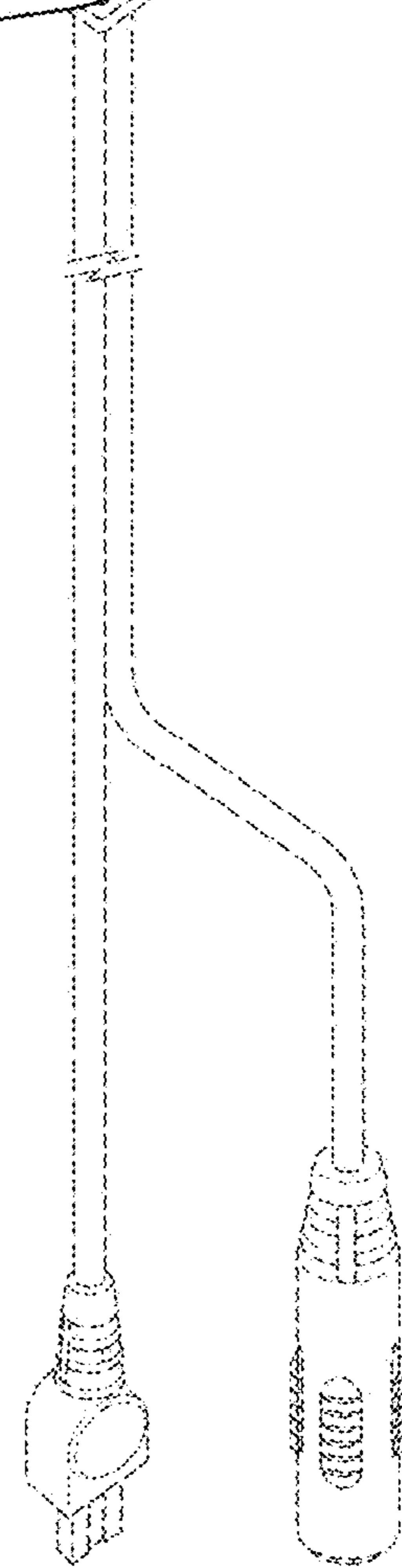


FIG. 4

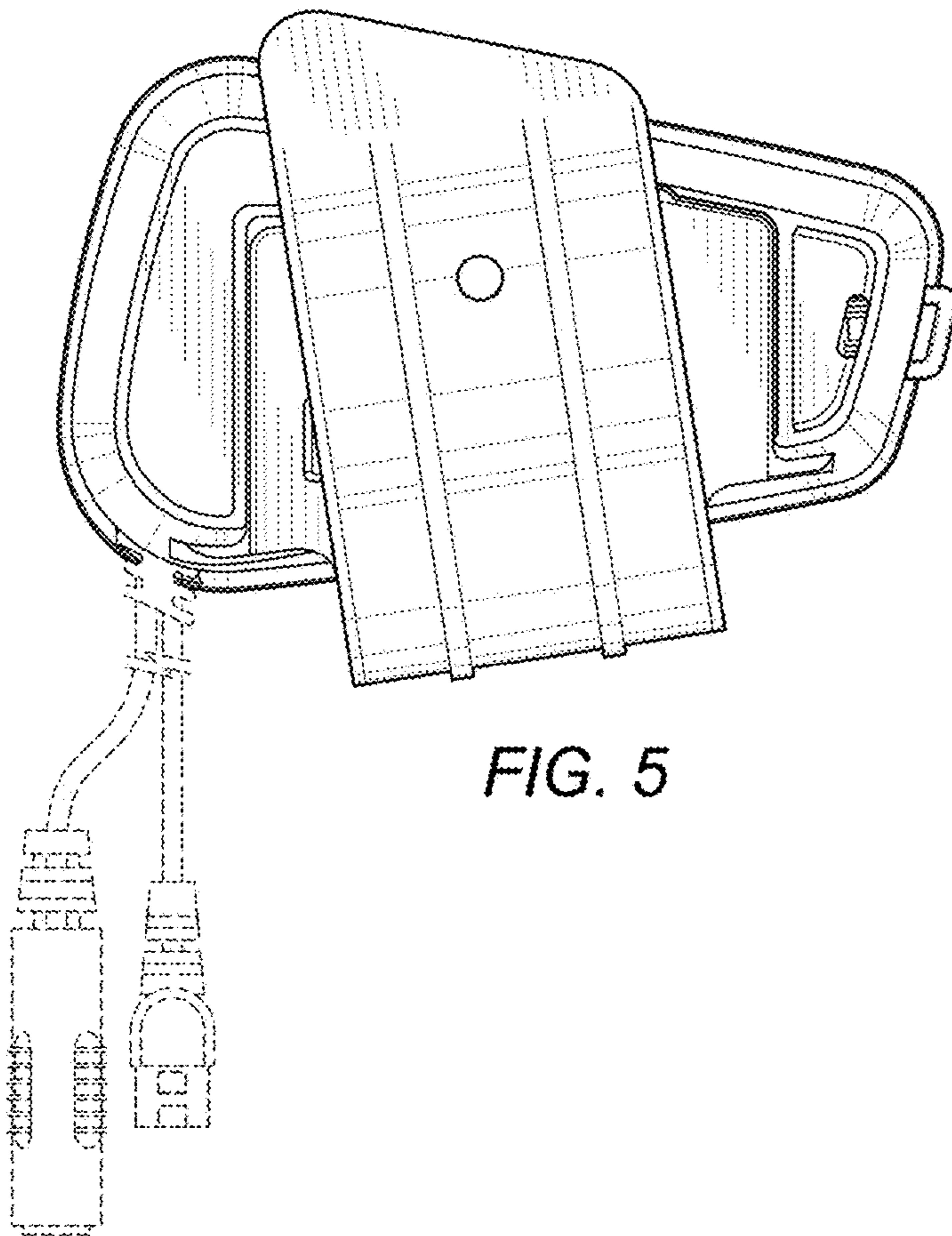
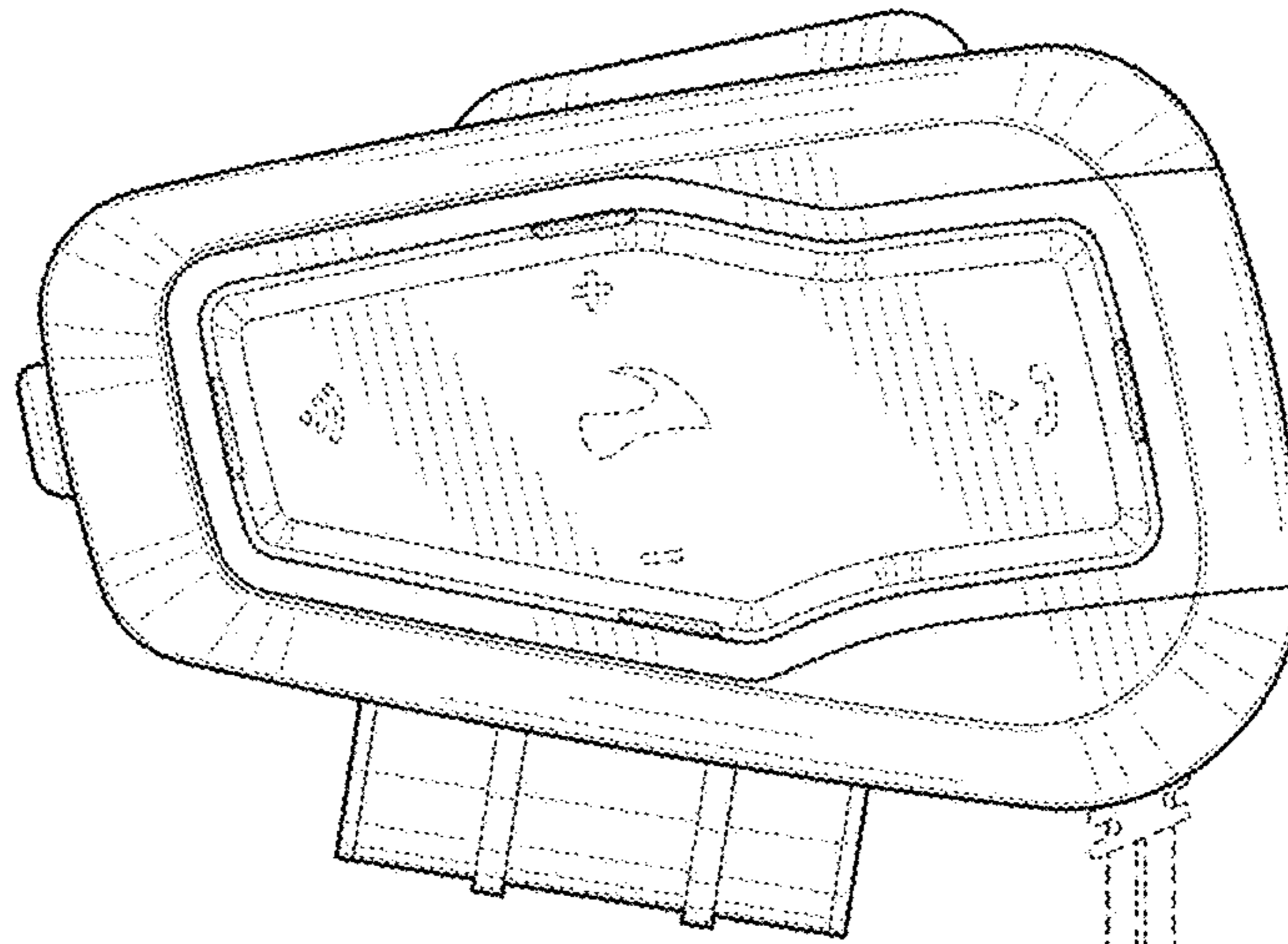
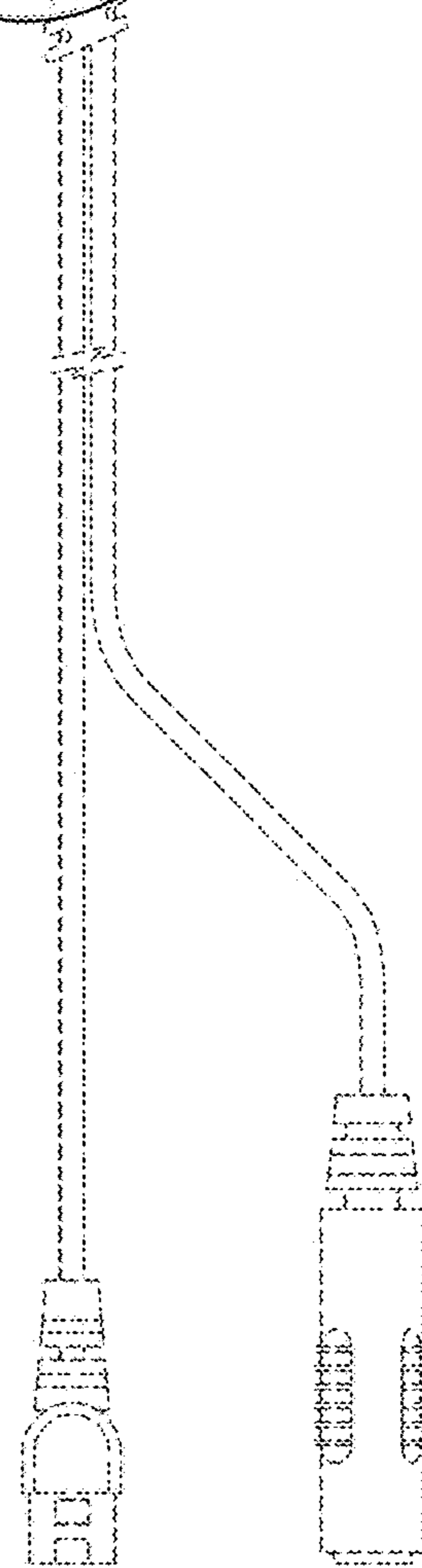
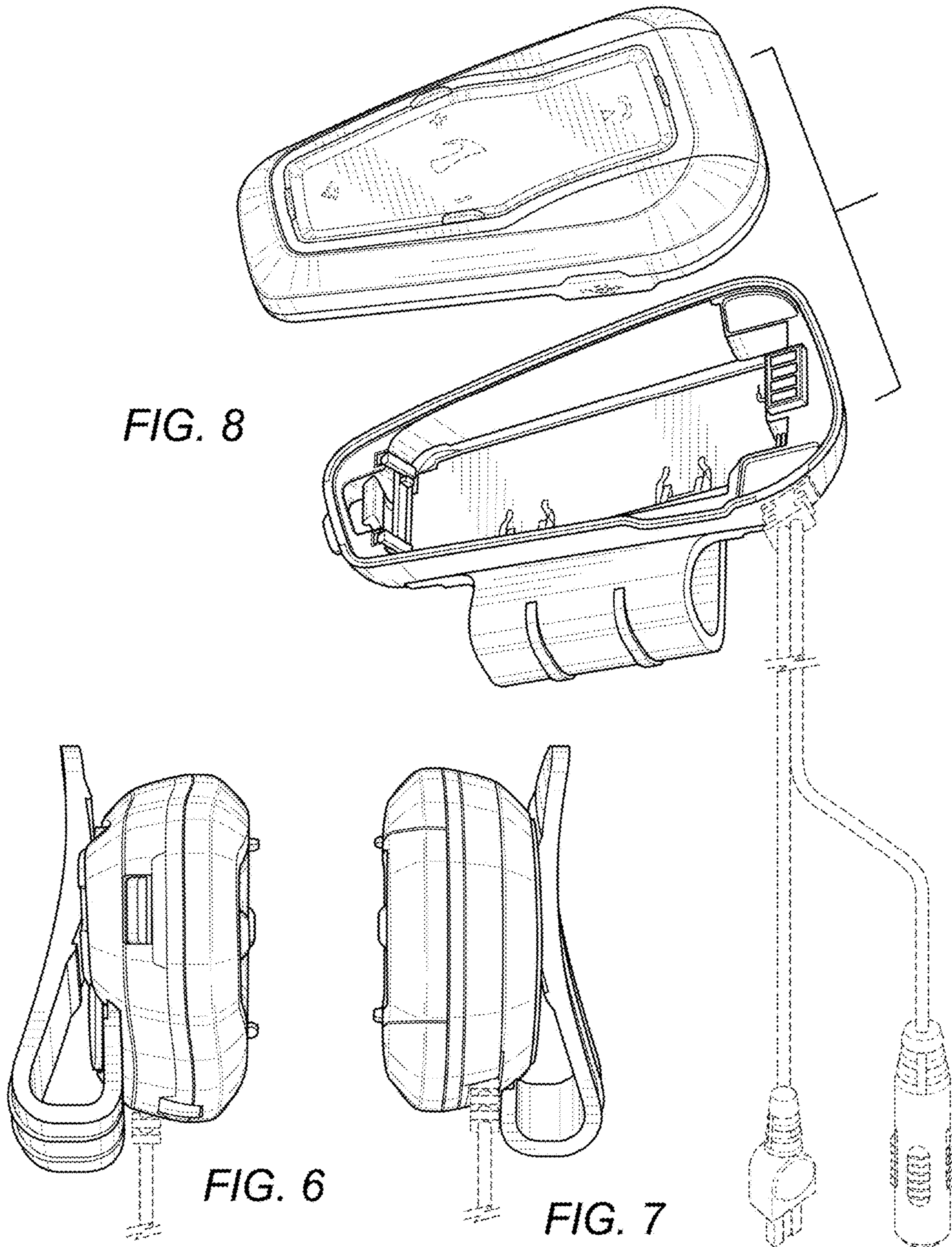


FIG. 5





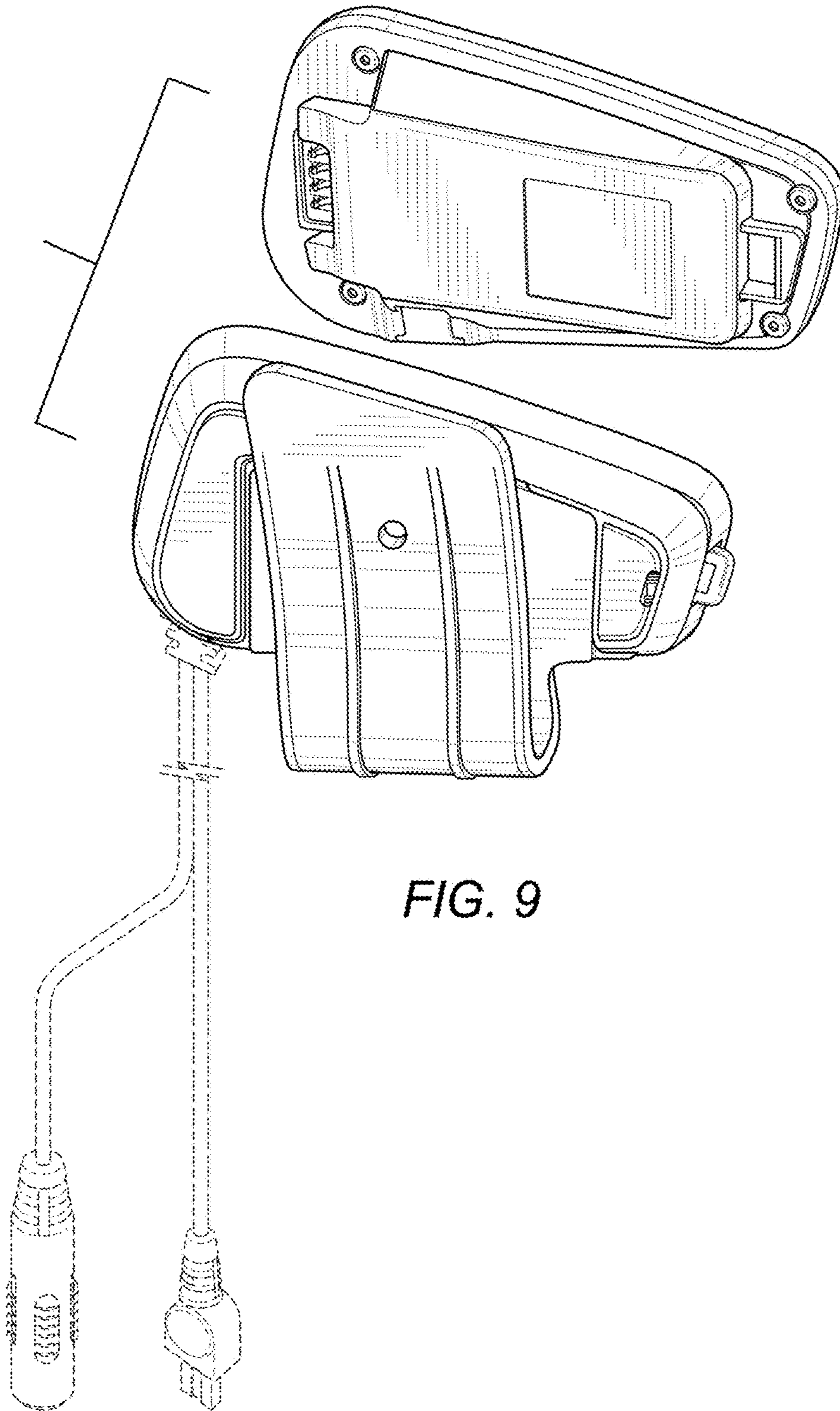


FIG. 9