



US00D810050S

(12) **United States Design Patent**
Uemoto et al.

(10) **Patent No.:** **US D810,050 S**

(45) **Date of Patent:** **** Feb. 13, 2018**

(54) **CAR SPEAKER**

2400/00; H04R 2400/07; H04R 2499/11;
H04R 2499/13; H04R 2499/15; H04S
3/00; H04S 7/30

(71) Applicant: **Panasonic Intellectual Property
Management Co., Ltd.**, Osaka-shi,
Osaka (JP)

See application file for complete search history.

(72) Inventors: **Ryouichi Uemoto**, Osaka (JP); **Goro
Tsuchiya**, Osaka (JP)

(56) **References Cited**

(73) Assignee: **PANASONIC INTELLECTUAL
PROPERTY MANAGEMENT CO.,
LTD.**, Osaka (JP)

U.S. PATENT DOCUMENTS

(**) Term: **15 Years**

D472,891 S 4/2003 Proni
D483,744 S 12/2003 Vosse
D526,311 S * 8/2006 Amada D14/221
D529,899 S * 10/2006 Amada D14/221
7,366,318 B2 * 4/2008 Nevill H04R 9/043
381/403

(21) Appl. No.: **29/585,243**

D578,112 S 10/2008 Naito
D629,791 S * 12/2010 Wang D14/216
D637,582 S 5/2011 Wada
8,811,653 B2 * 8/2014 Hiramoto H04R 9/06
381/423

(22) Filed: **Nov. 22, 2016**

D713,821 S 9/2014 Hyde et al.
D730,326 S * 5/2015 Huang D14/222

(30) **Foreign Application Priority Data**

Jun. 24, 2016 (JP) 2016-013411

Primary Examiner — Keli L Hill

(51) **LOC (11) Cl.** **14-03**

(74) *Attorney, Agent, or Firm* — Brinks Gilson & Lione

(52) **U.S. Cl.**
USPC **D14/216**; D14/221

(57) **CLAIM**

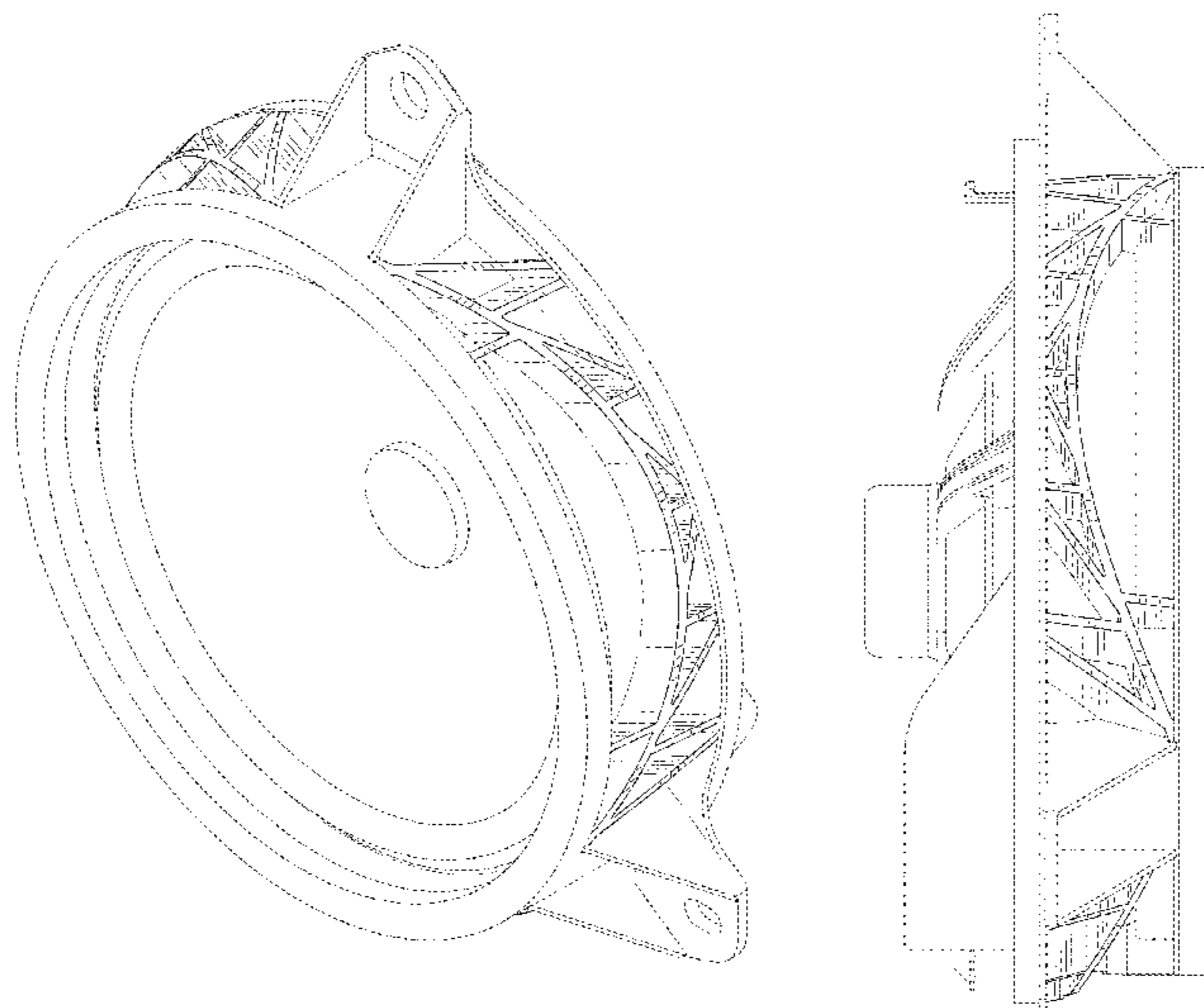
We claim the ornamental design for a car speaker, as shown
and described.

(58) **Field of Classification Search**
USPC D14/167, 168, 170–172, 188, 194–196,
D14/204, 207, 209.1, 210–216, 219, 221,
D14/222, 224, 239, 496; 181/143, 144,
181/147, 148, 150, 153, 157, 198, 199;
381/300–303, 306, 332, 333, 336, 345,
381/361–364, 386–388; 369/6–12
CPC B60R 11/0217; G06F 1/1688; G10K 9/22;
G10K 11/004; H03F 1/327; H04M 1/03;
H04M 1/035; H04N 5/642; H04N
21/4852; H04R 1/02; H04R 1/06; H04R
1/021; H04R 1/025; H04R 1/026; H04R
1/028; H04R 1/105; H04R 1/323; H04R
1/403; H04R 1/2803; H04R 1/2834;
H04R 5/02; H04R 7/20; H04R 9/06;
H04R 9/025; H04R 2201/021; H04R

DESCRIPTION

FIG. 1 is a front and top perspective view of a car speaker
of the present invention;
FIG. 2 is a front view thereof;
FIG. 3 is a rear view thereof;
FIG. 4 is a right side view thereof;
FIG. 5 is a left side view thereof;
FIG. 6 is a top view thereof; and,
FIG. 7 is a bottom view thereof.
The broken lines shown represent unclaimed subject matter
and form no part of the claimed design. Additionally, the
unevenly broken lines in the drawings define the limits of the
claimed design.

1 Claim, 7 Drawing Sheets



(56)

References Cited

U.S. PATENT DOCUMENTS

D756,973 S *	5/2016	Wright	D14/224
D769,219 S *	10/2016	Ohmachi	D14/205
2012/0328146 A1 *	12/2012	Tsuruta	G10K 9/22 381/389
2013/0287246 A1 *	10/2013	Sasaki	H04R 1/06 381/412

* cited by examiner

FIG. 1

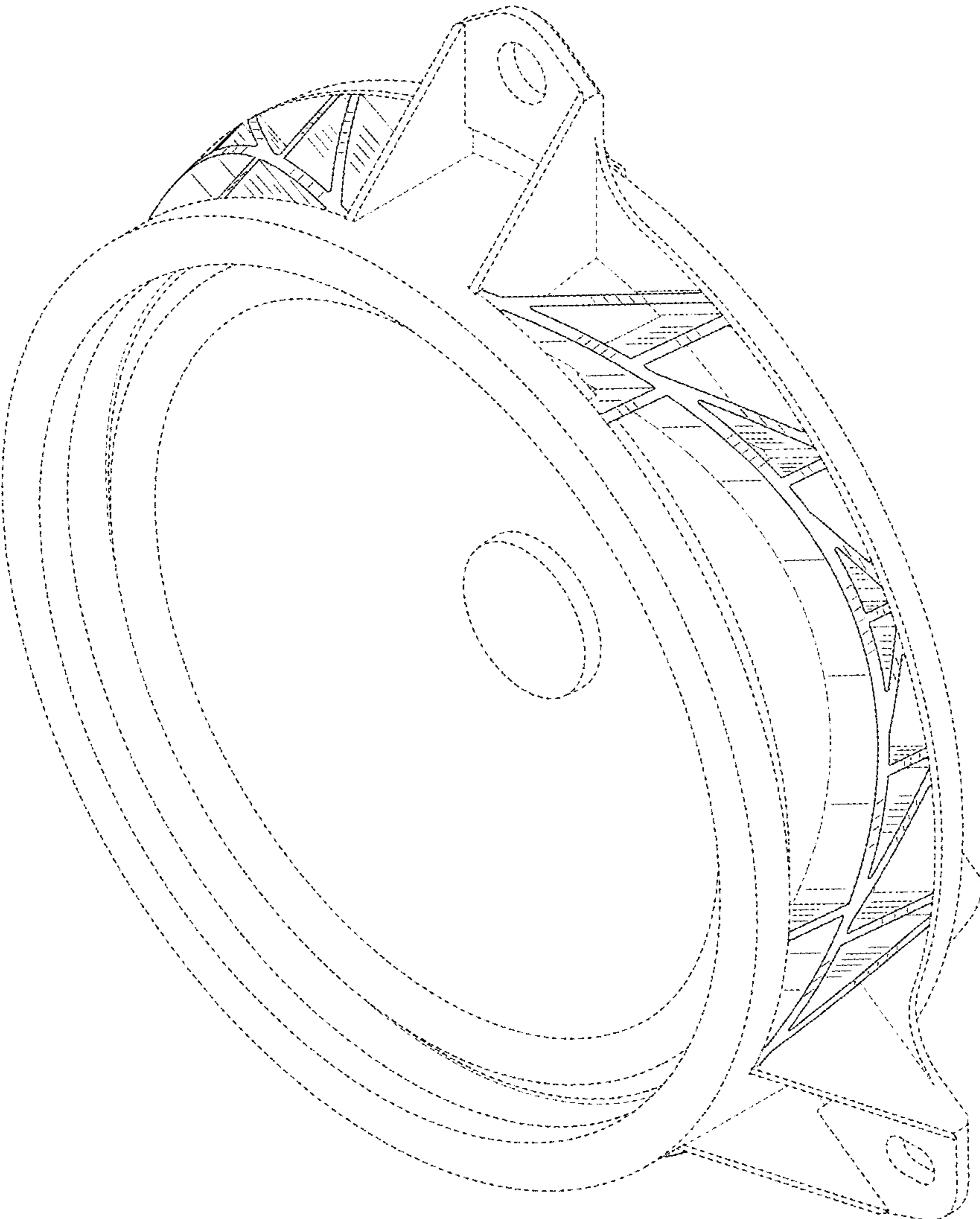


FIG. 2

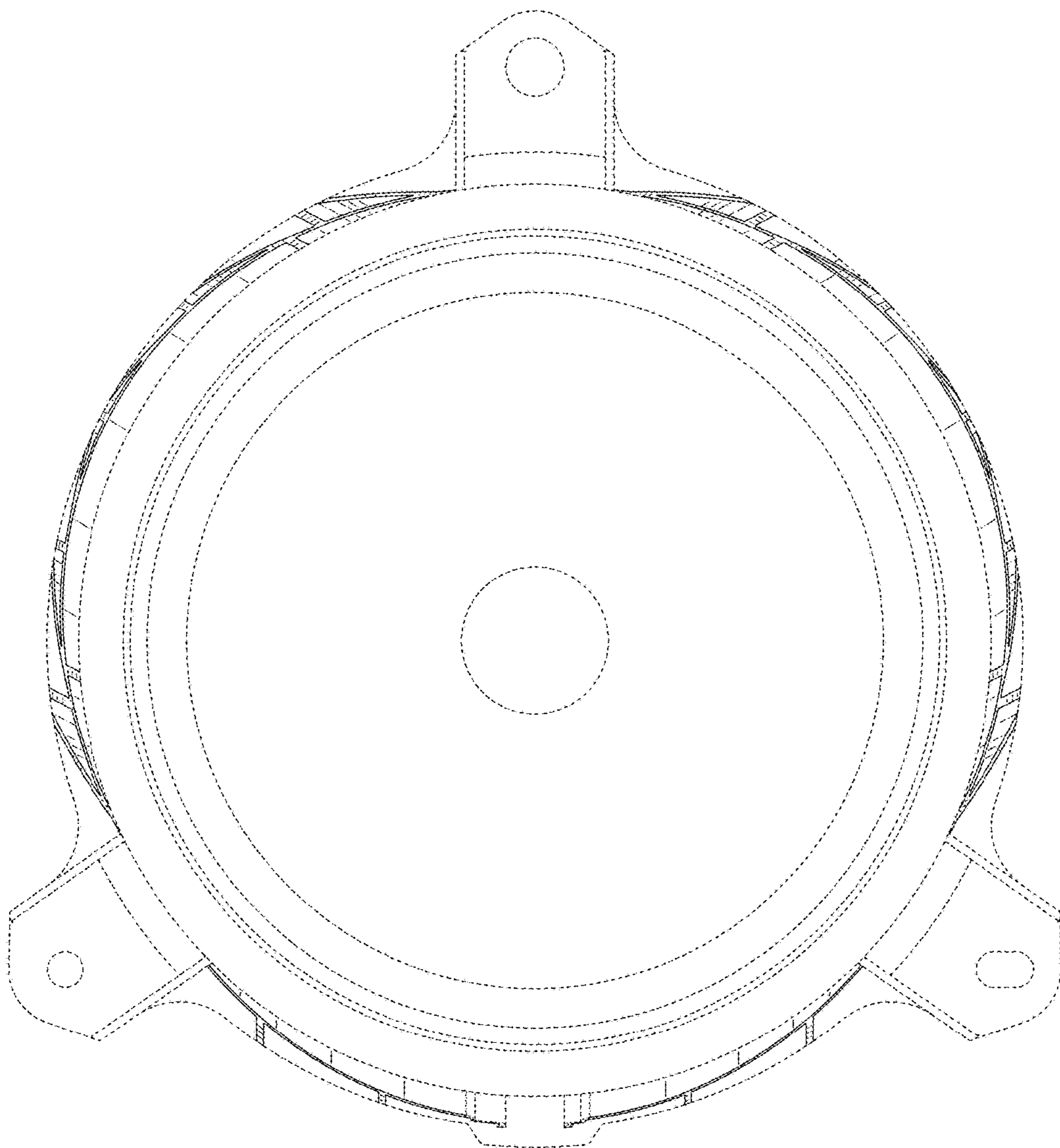


FIG. 3

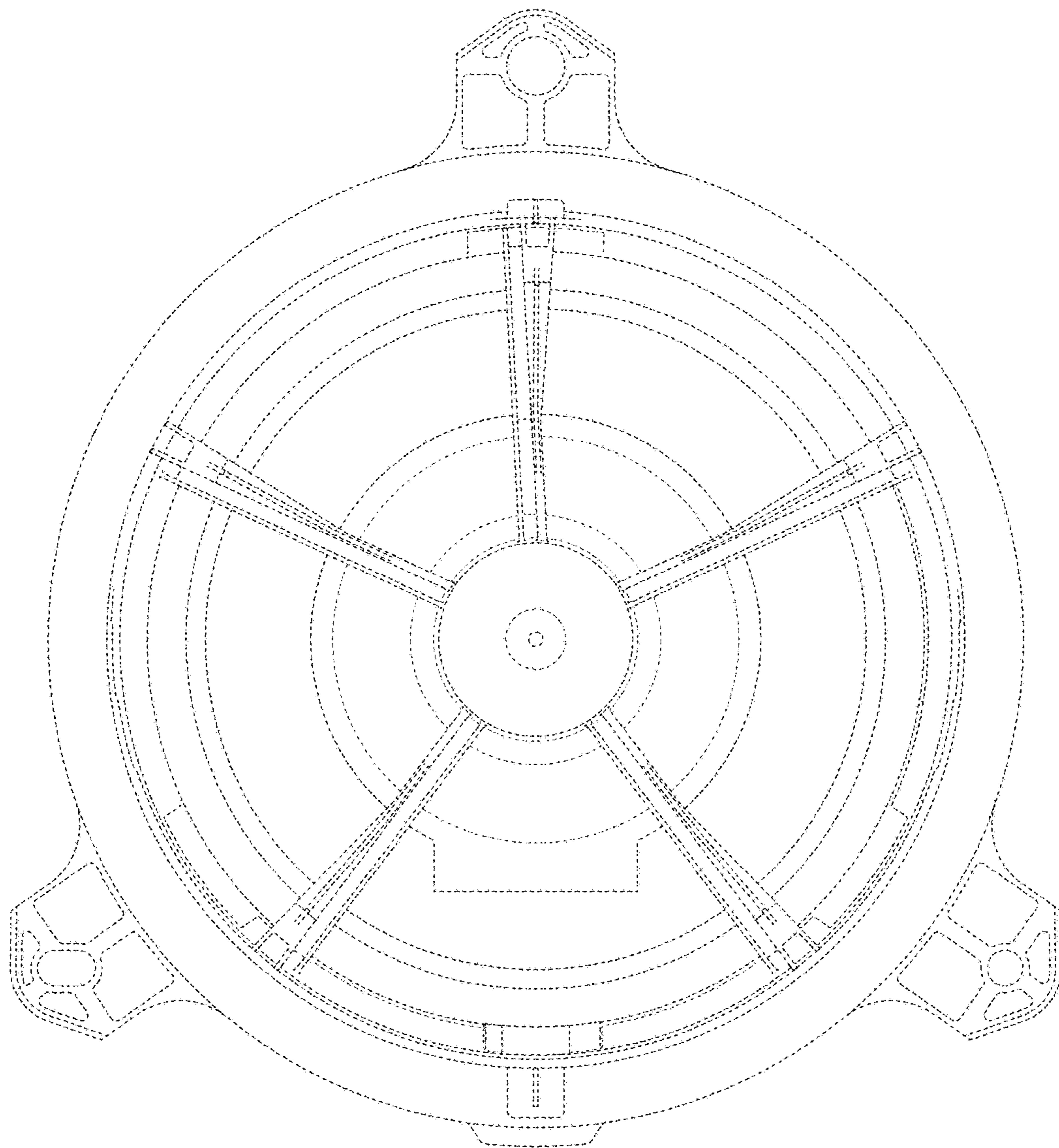


FIG. 4

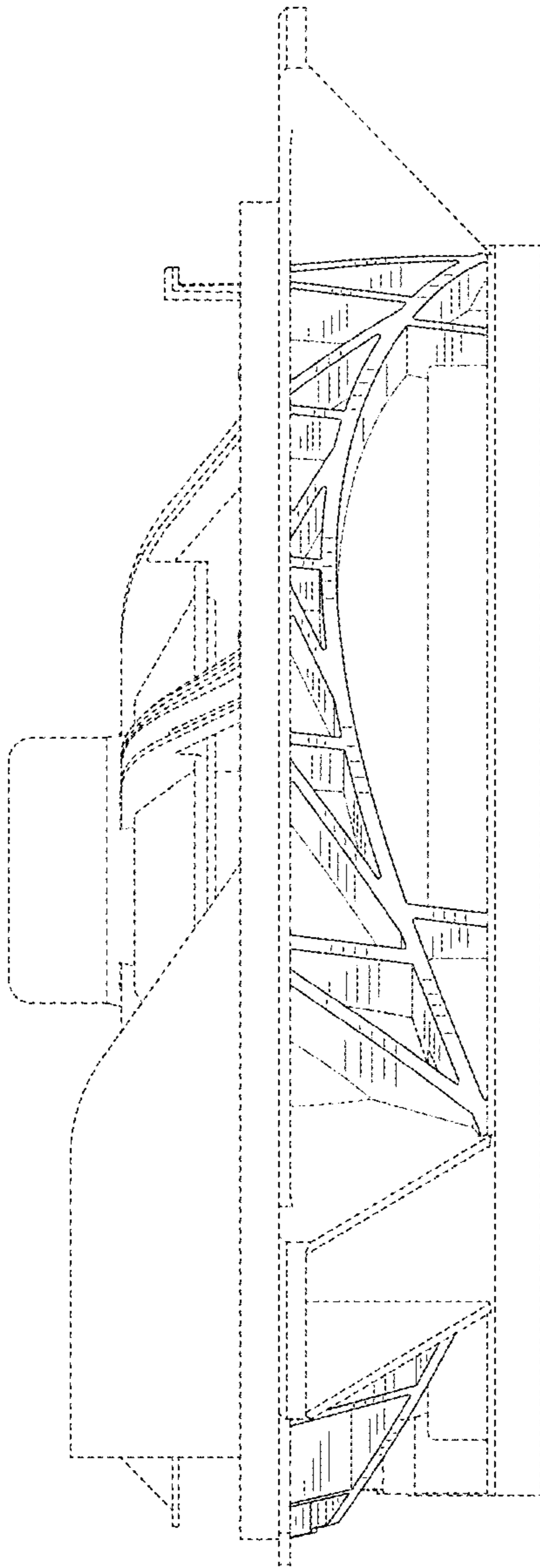


FIG. 5

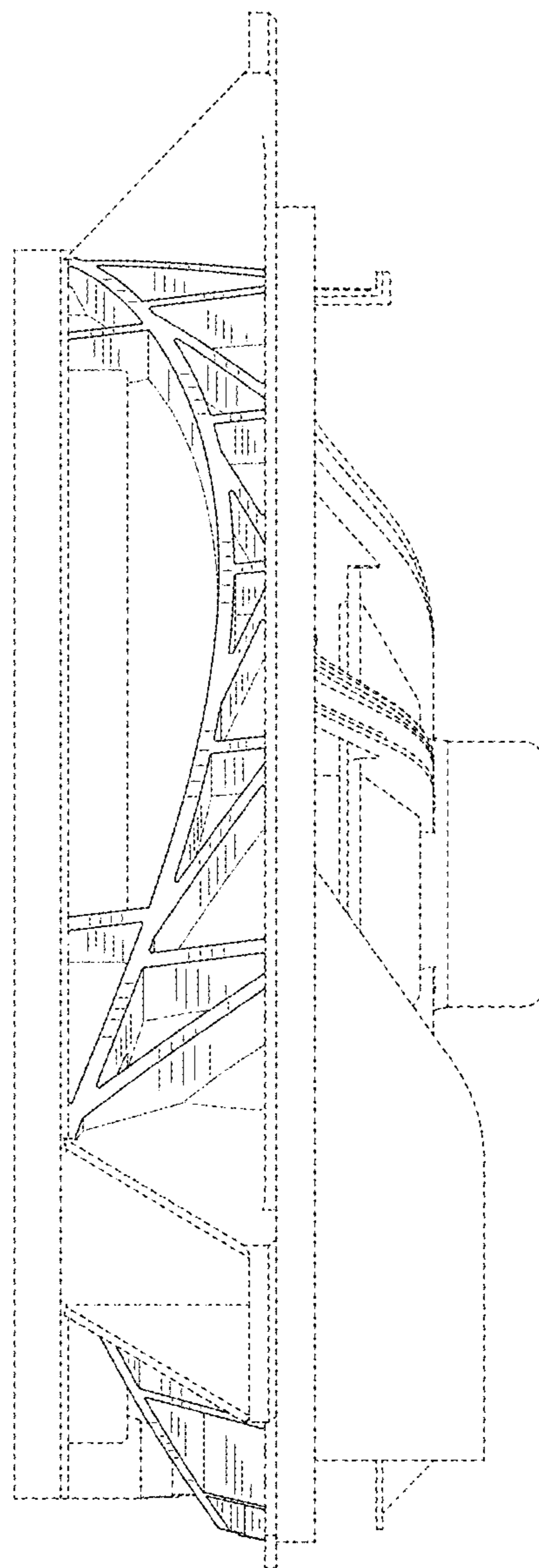


FIG. 6

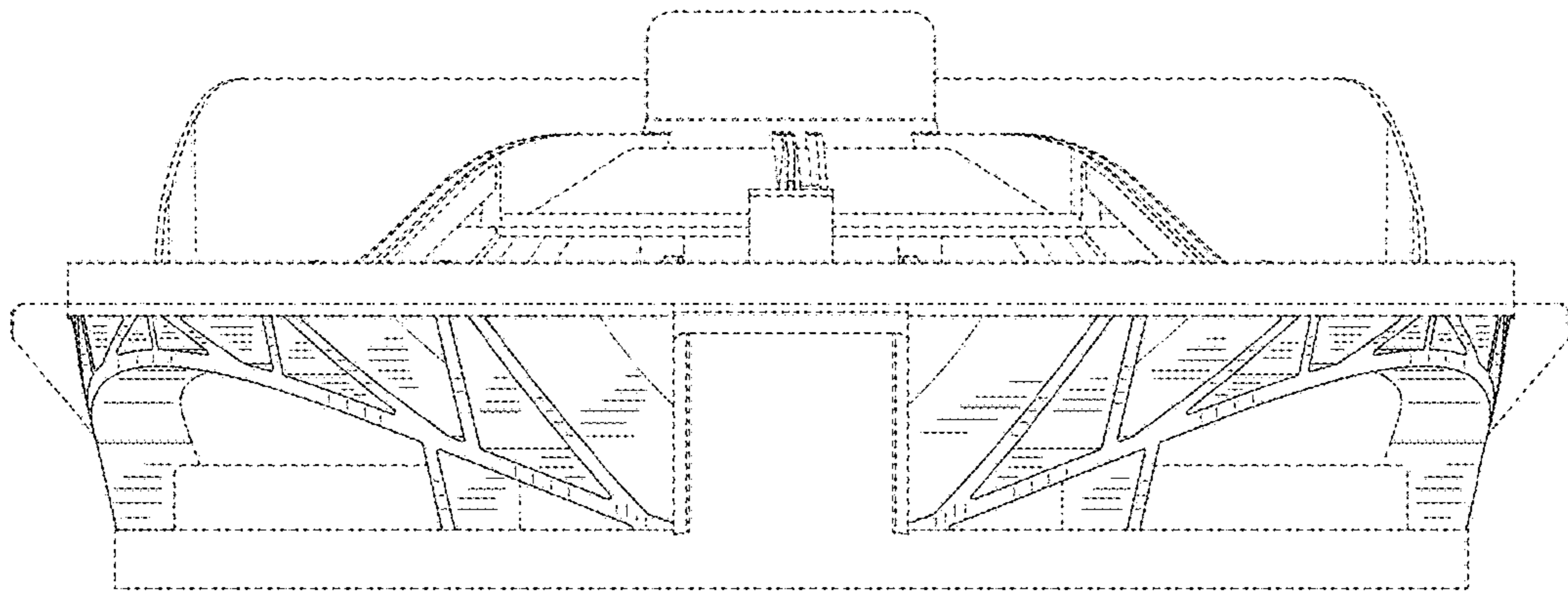


FIG. 7

