



US00D810048S

(12) **United States Design Patent**
Kaplan

(10) **Patent No.:** **US D810,048 S**

(45) **Date of Patent:** **** Feb. 13, 2018**

- (54) **ANGULAR SPEAKER PANEL**
- (71) Applicant: **SSV WORKS, INC.**, Oxnard, CA (US)
- (72) Inventor: **Trevor Kaplan**, Oxnard, CA (US)
- (73) Assignee: **SSV WORKS, INC.**, Oxnard, CA (US)

D349,408 S * 8/1994 Cameron D4/124
 D351,839 S * 10/1994 Ballard D14/214
 5,362,045 A * 11/1994 Hammett A63B 69/0026
 273/127 C

(Continued)

- (**) Term: **15 Years**
- (21) Appl. No.: **29/572,401**

(22) Filed: **Jul. 27, 2016**

(51) **LOC (11) Cl.** **14-01**

(52) **U.S. Cl.**
USPC **D14/215**

(58) **Field of Classification Search**
USPC D14/168, 188, 194, 195, 196, 204, 210,
D14/211, 212, 213, 214, 215, 216, 197,
D14/198

CPC B60R 11/0217; G06F 1/1688; G10K 9/22;
G10K 11/004; H03F 1/327; H04M 1/03;
H04M 1/035; H04N 5/642; H04N
21/4852; H04S 3/00; H04S 7/30; H04R
1/02; H04R 1/06; H04R 1/021; H04R
1/025; H04R 1/026; H04R 1/028; H04R
1/105; H04R 1/323; H04R 1/403; H04R
1/2803; H04R 1/2834; H04R 5/02; H04R
7/20; H04R 9/06; H04R 9/025; H04R
2201/021; H04R 2400/00; H04R 2400/07;
H04R 2499/11; H04R 2499/13; H04R
2499/15

See application file for complete search history.

(56) **References Cited**

U.S. PATENT DOCUMENTS

- 1,984,550 A * 12/1934 Sandeman H04R 1/323
381/152
- D299,650 S * 1/1989 Mitchell D14/162
- 5,105,906 A * 4/1992 Wegner H04R 1/02
181/148
- D327,067 S * 6/1992 Kohan D14/215

OTHER PUBLICATIONS

Amazon—SSV Works SS-FKP652 Front Kick Panels, announced Jul. 27, 2016 [online, dated via oldest review], [site visited Sep. 13, 2017]. Available from internet, URL: <https://www.amazon.com/SSV-Works-SS-FKP652-Slingshot-Speakers-Set/product-reviews/B00YIA75TC/ref=cm_cr_ar_p_d_viewopt_srt?ie=UTF8&reviewerType=avp_only_reviews&sortBy=recent&pageNumber= 1>.*

(Continued)

Primary Examiner — Keli L Hill

Assistant Examiner — Karra S Johnson

(74) *Attorney, Agent, or Firm* — Koppel, Patrick, Heybl & Philpott

(57) **CLAIM**

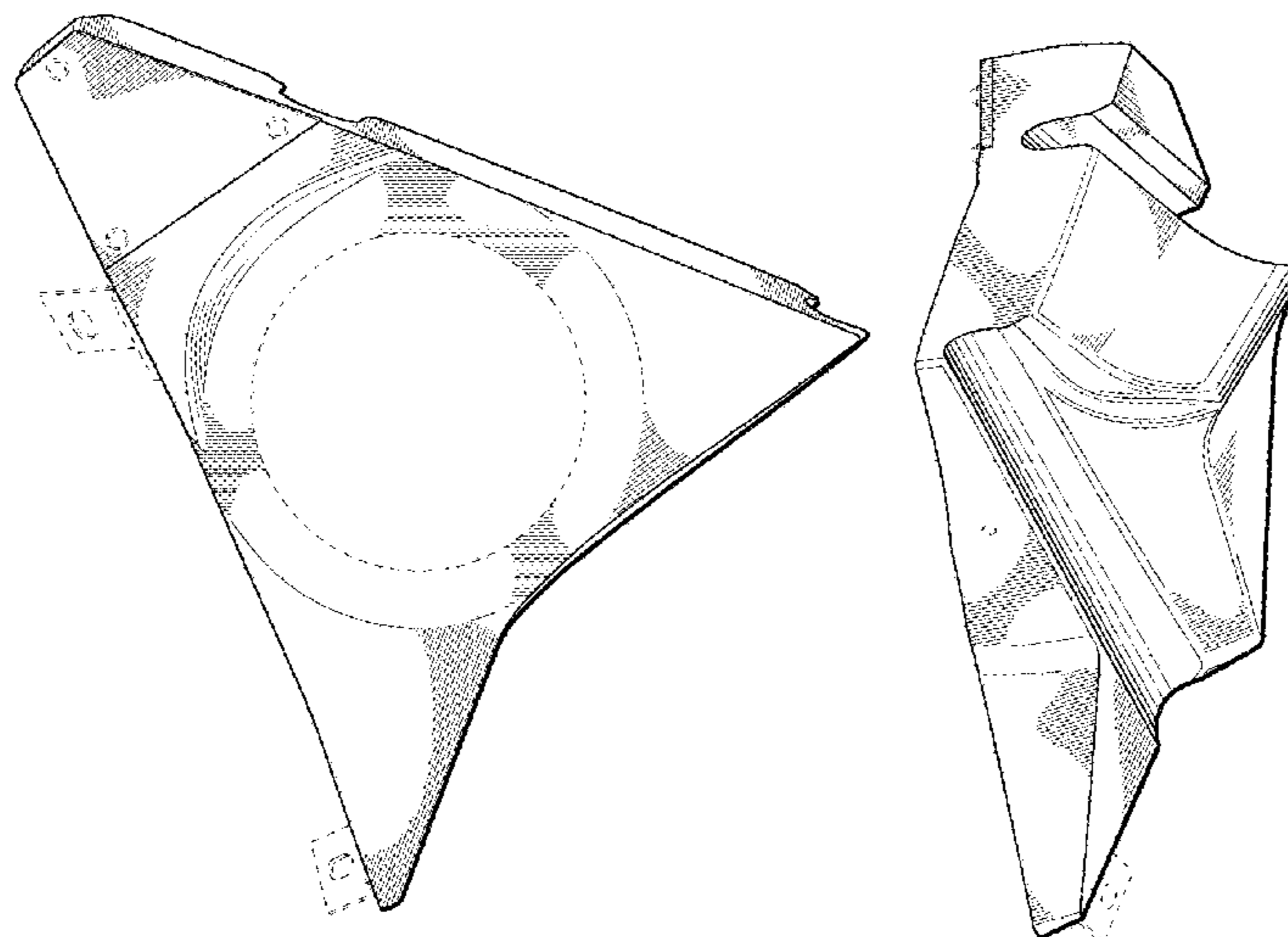
The ornamental design for an angular speaker panel, as shown and described herein.

DESCRIPTION

FIG. 1 is top, front, right side perspective view of an angular speaker panel, showing my new design installed in a vehicle; FIG. 2 is a top, front, right side perspective view thereof; FIG. 3 is a bottom, front, right side perspective view thereof; FIG. 4 is a front elevation view thereof; FIG. 5 is a rear elevation view thereof; FIG. 6 is a left side elevation view thereof; and FIG. 7 is a right side elevation view thereof; FIG. 8 is top plan view thereof; and, FIG. 9 is a bottom plan view thereof.

The broken lines shown are included for the purpose of illustrating environmental subject matter and portions of the angular speaker panel that form no part of the claimed design.

1 Claim, 5 Drawing Sheets



(56)

References Cited

U.S. PATENT DOCUMENTS

D372,243 S * 7/1996 Thorley D14/204
D414,152 S * 9/1999 Sprague D12/195
D438,858 S * 3/2001 del Castillo D14/188
D572,301 S * 7/2008 Li D17/18
D641,005 S * 7/2011 Rice, Jr. D14/212
8,157,049 B1 * 4/2012 Meyer H04R 1/2888
181/199
D660,826 S * 5/2012 Brunner D14/223
D678,462 S * 3/2013 Whitis D23/201
D685,770 S * 7/2013 Lee D14/223
D763,824 S * 8/2016 Kaplan D14/215
2016/0068112 A1 * 3/2016 Price B60R 11/0217
381/86
2016/0232882 A1 * 8/2016 Hummel G10H 3/00
2017/0132995 A1 * 5/2017 Hummel G10H 3/186

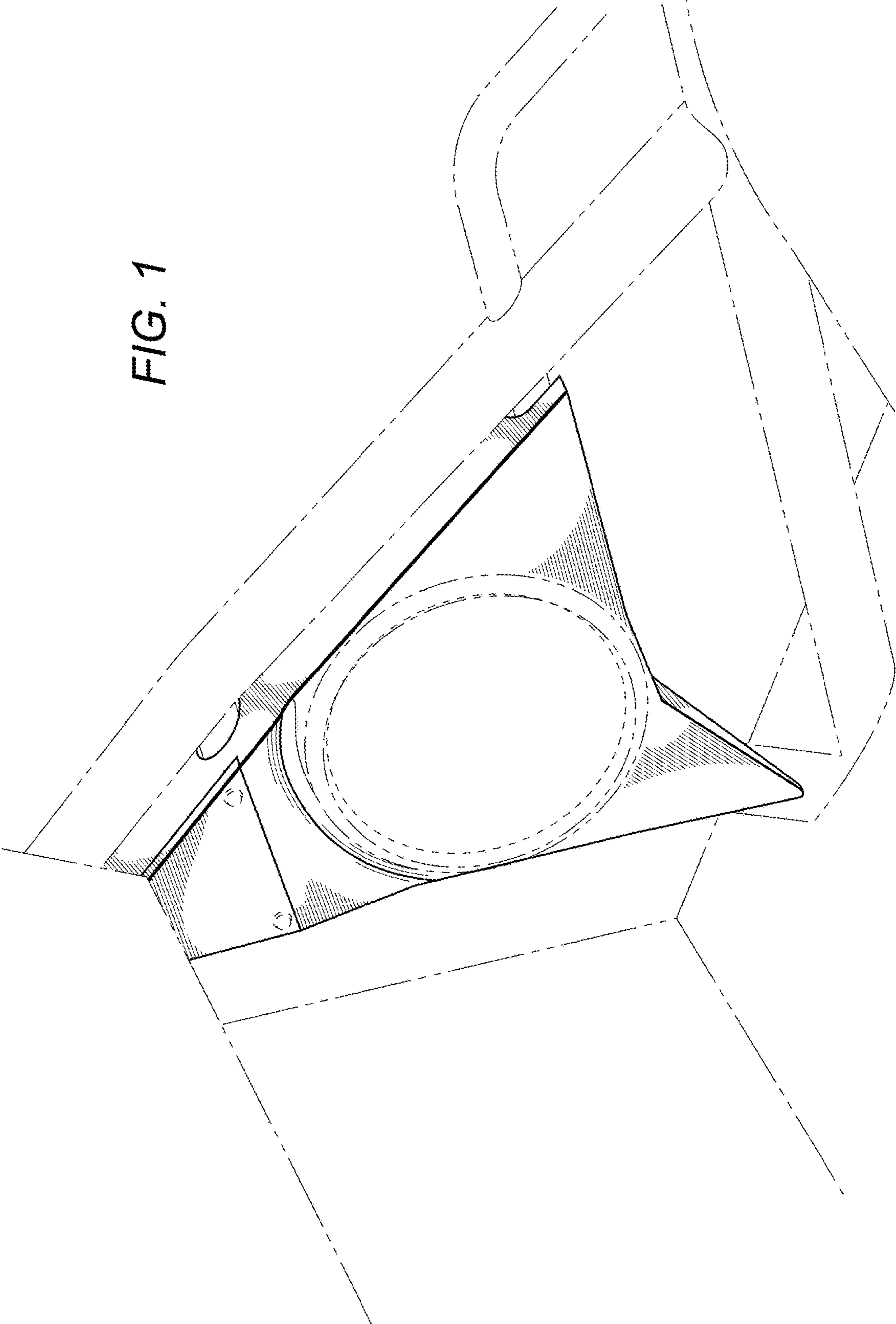
OTHER PUBLICATIONS

YouTube—SSVtv Polaris Slingshot Speaker Pods, announced Jun. 12, 2015 [online], [site visited Sep. 13, 2017]. Available from internet, URL: <https://www.youtube.com/watch?v=YWz_yMKfs2E>.*

Sling Mods_SSV Works 1st Gen Front Speaker, announced Sep. 3, 2016 [online, dated via reviews], [site visited Sep. 13, 2017]. Available from internet, URL: <<https://www.slingmods.com/pods-enclosures/polaris-slingshot-front-speaker-pods>>.*

* cited by examiner

FIG. 1



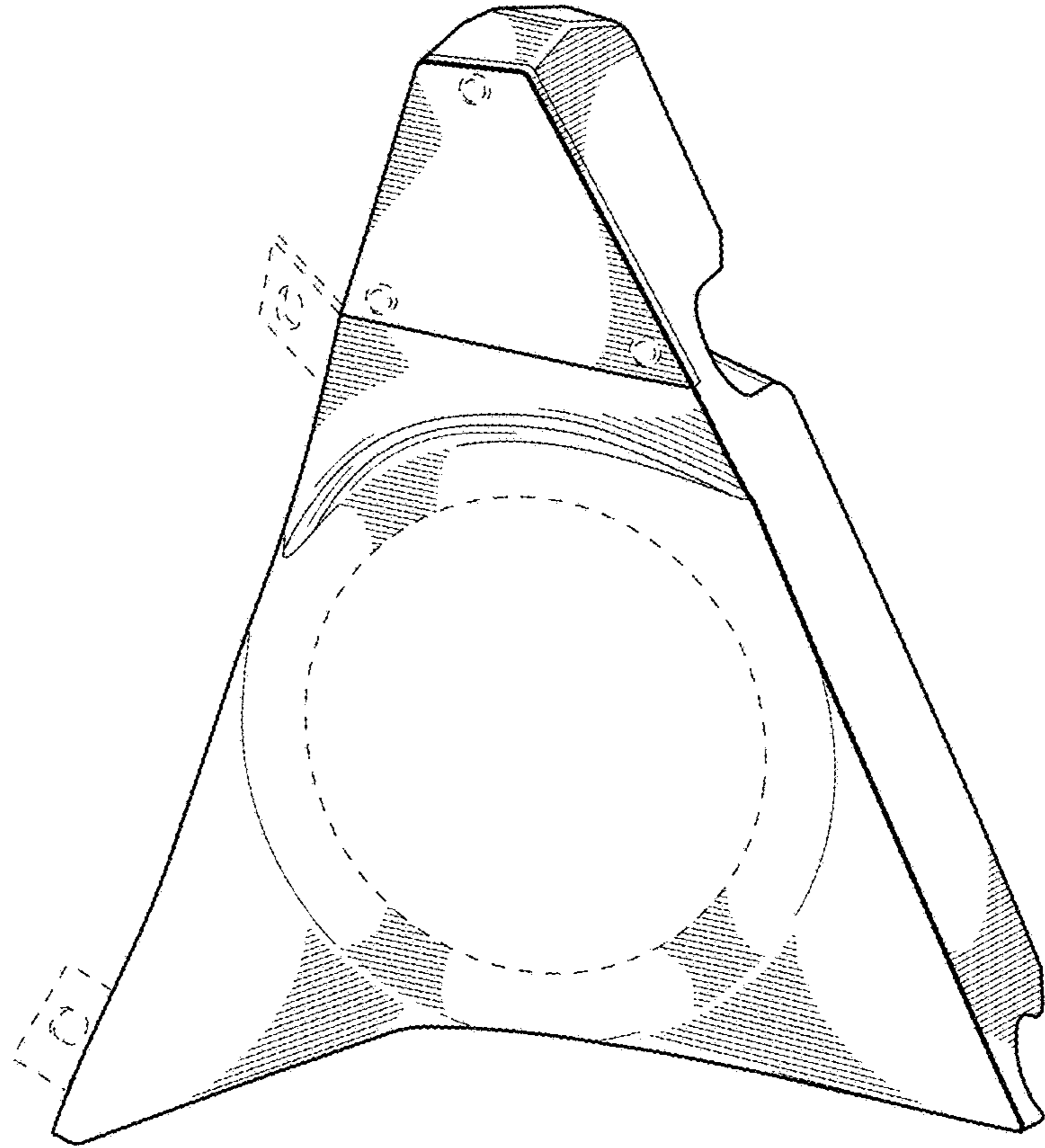


FIG. 2

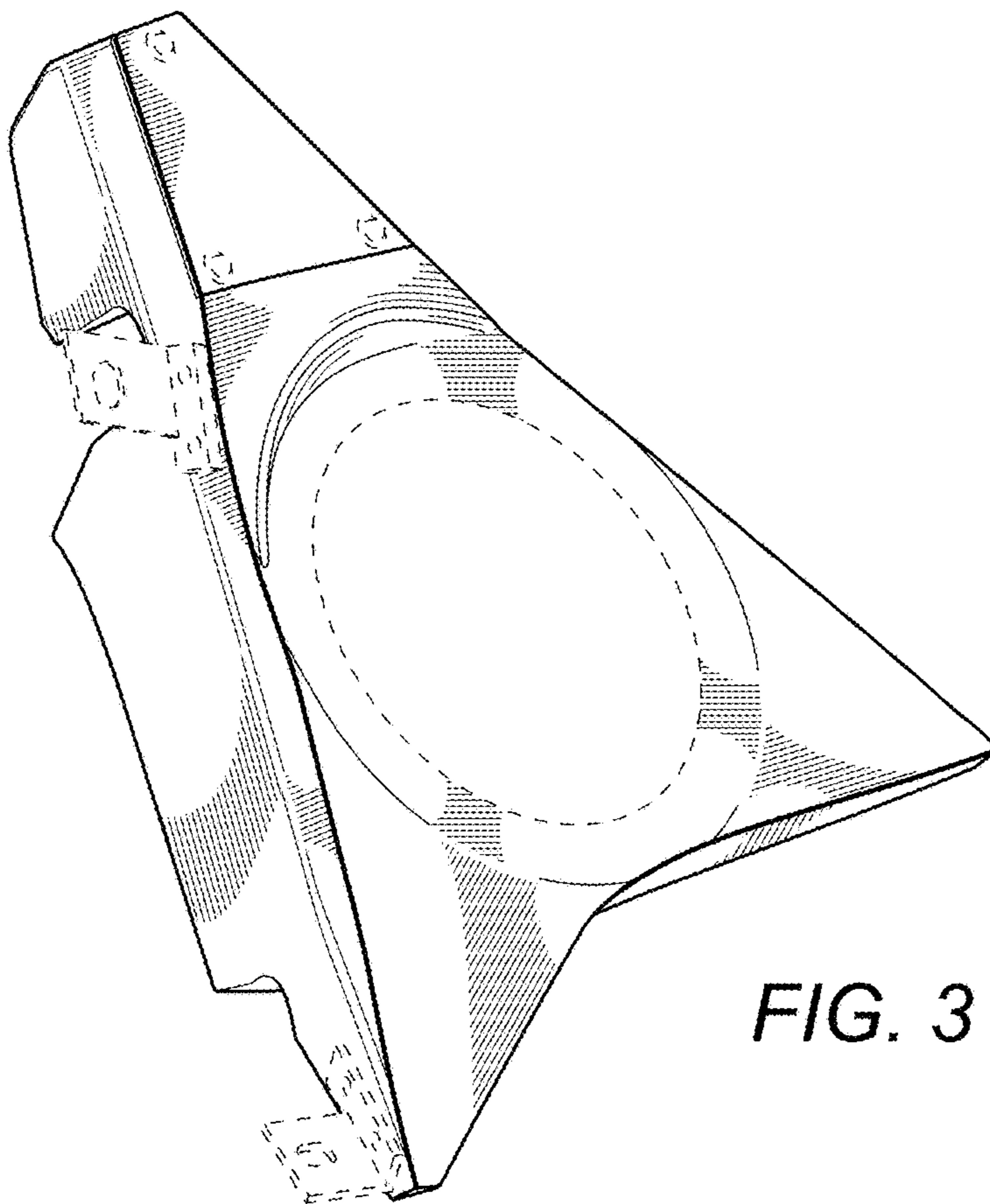


FIG. 3

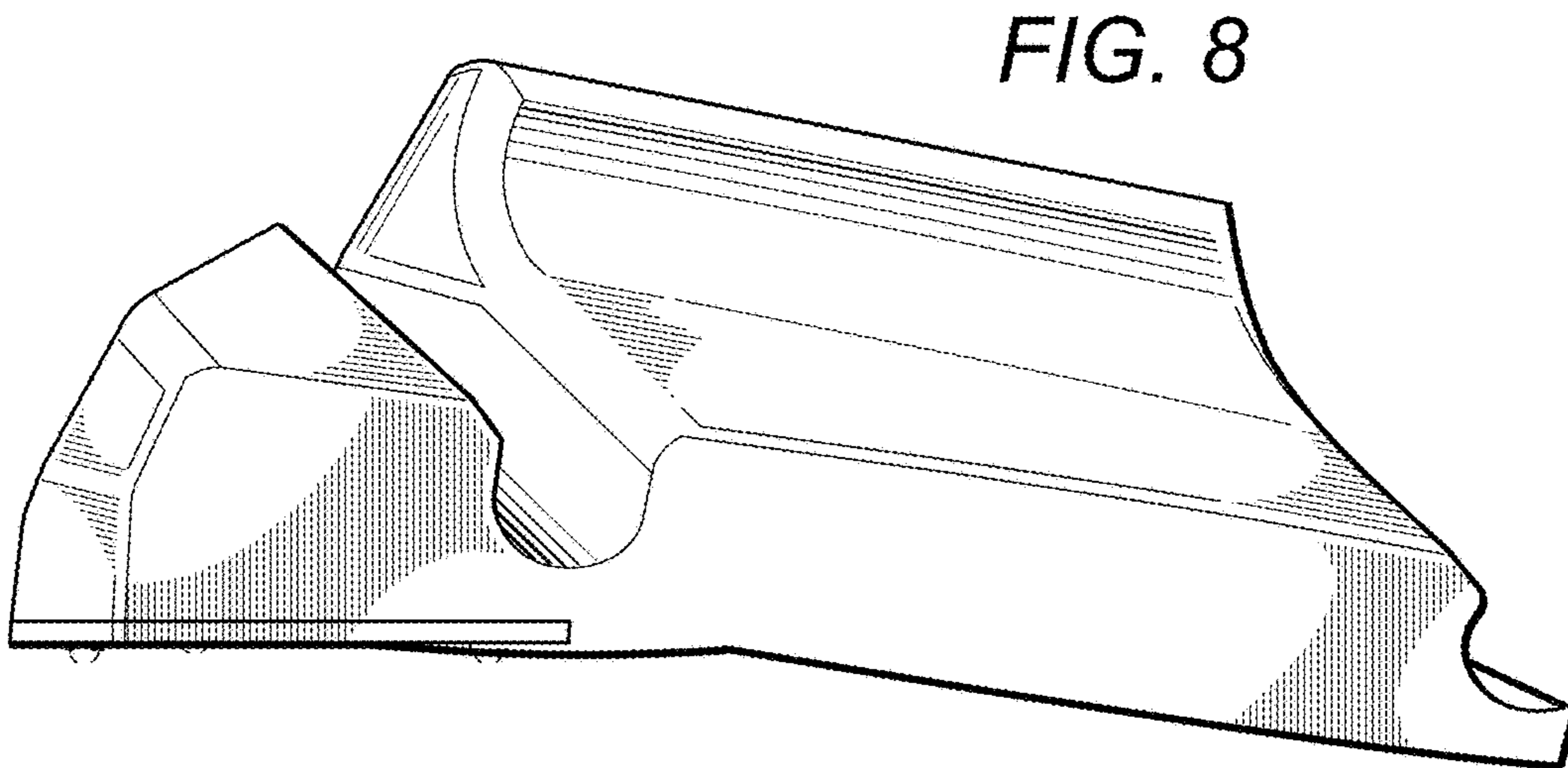
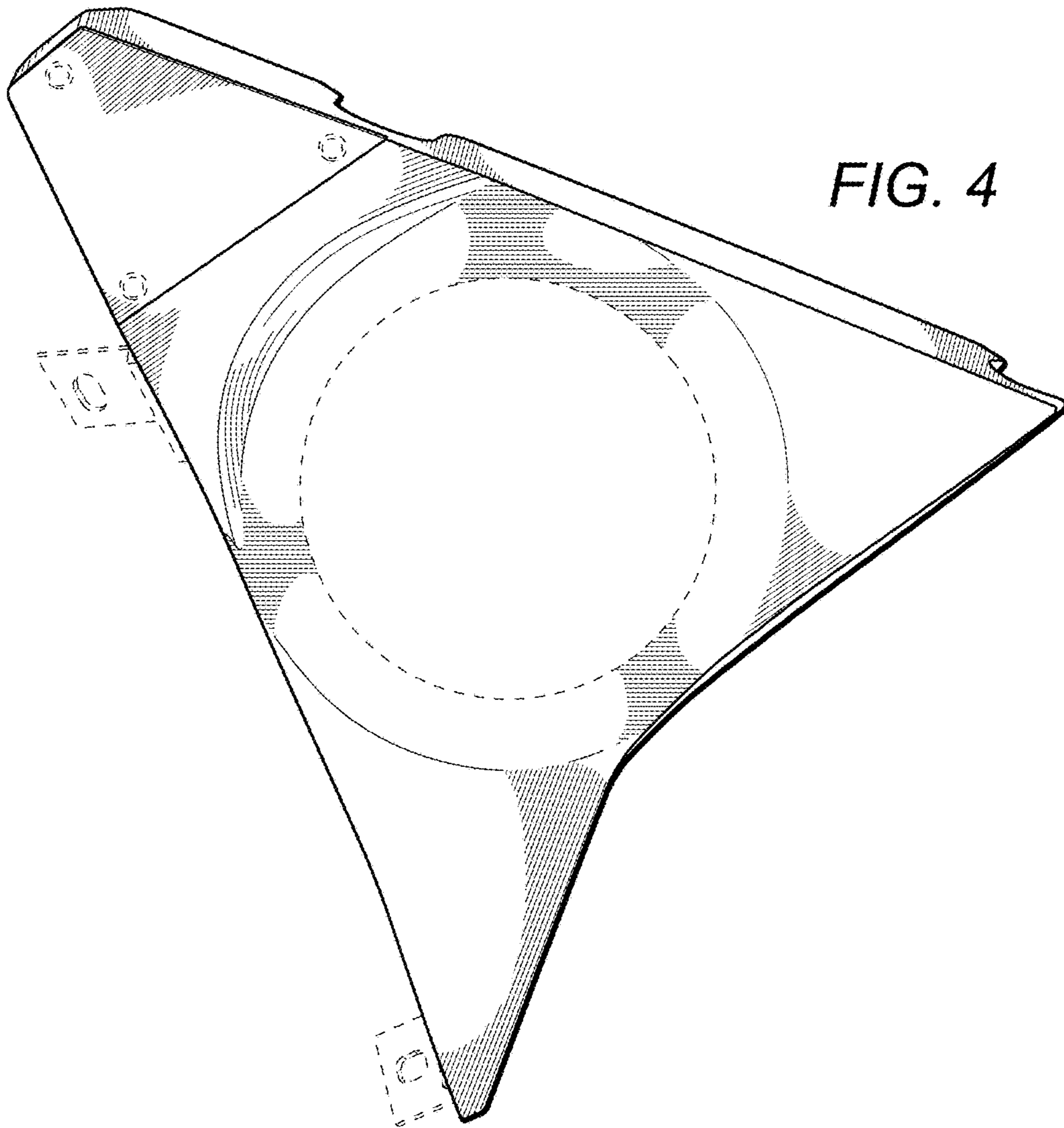


FIG. 5

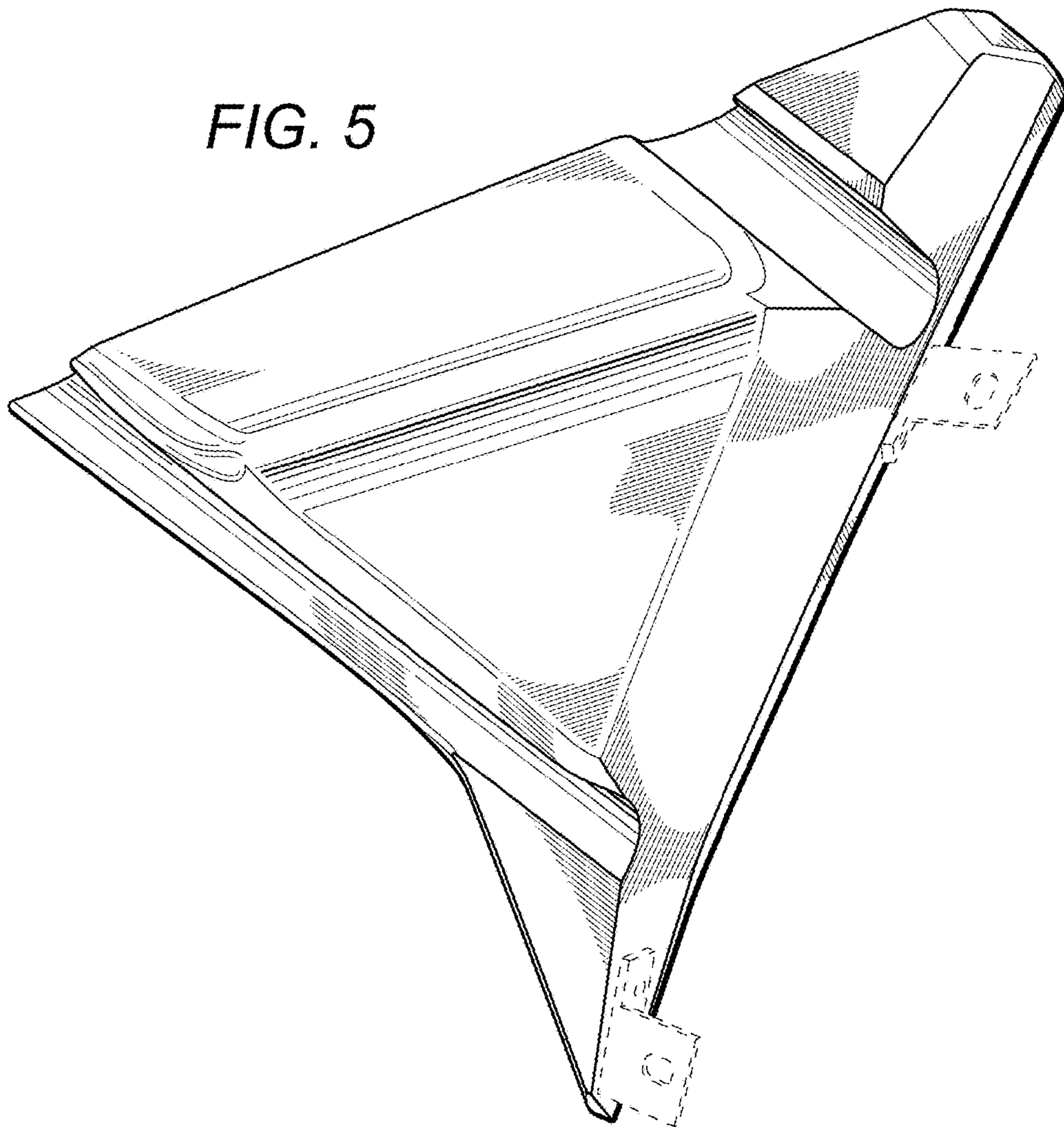
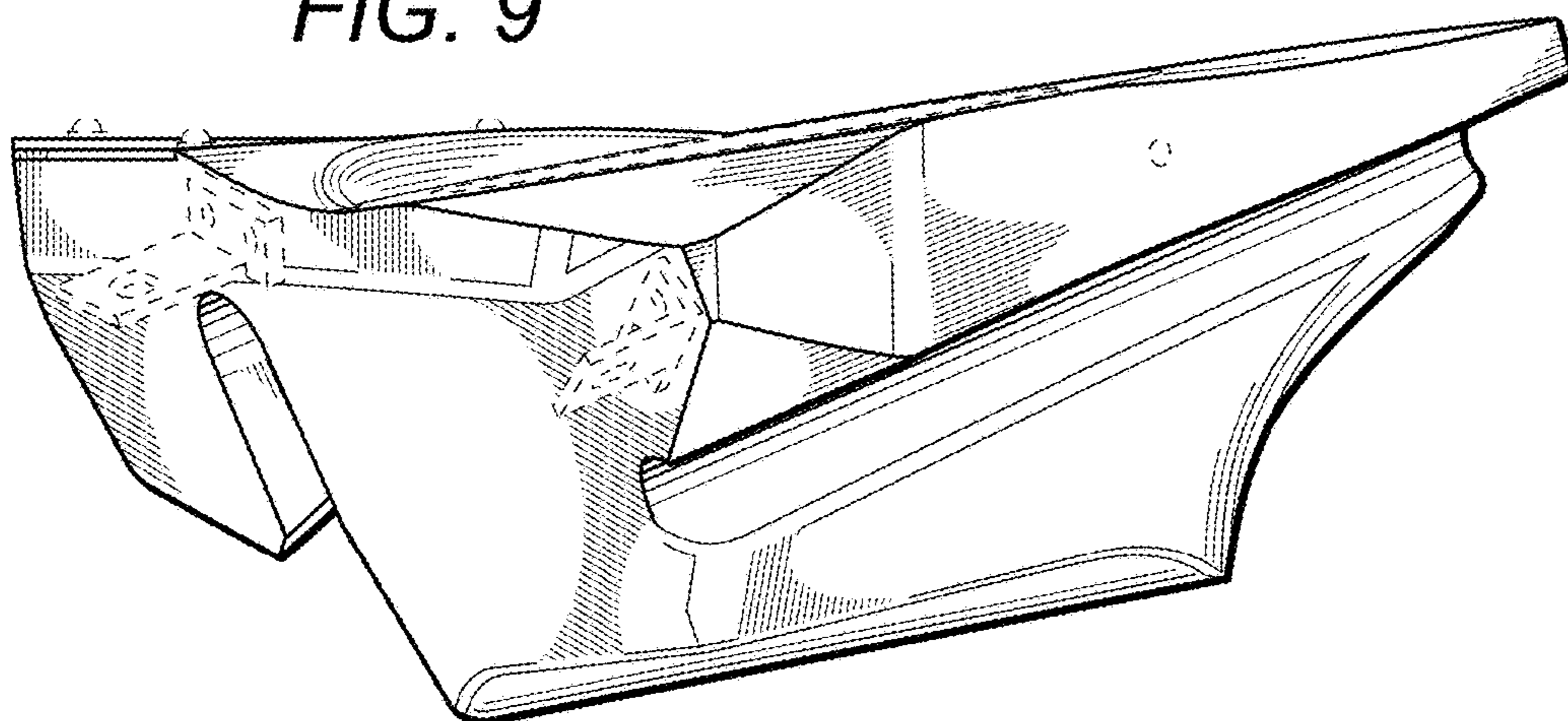


FIG. 9



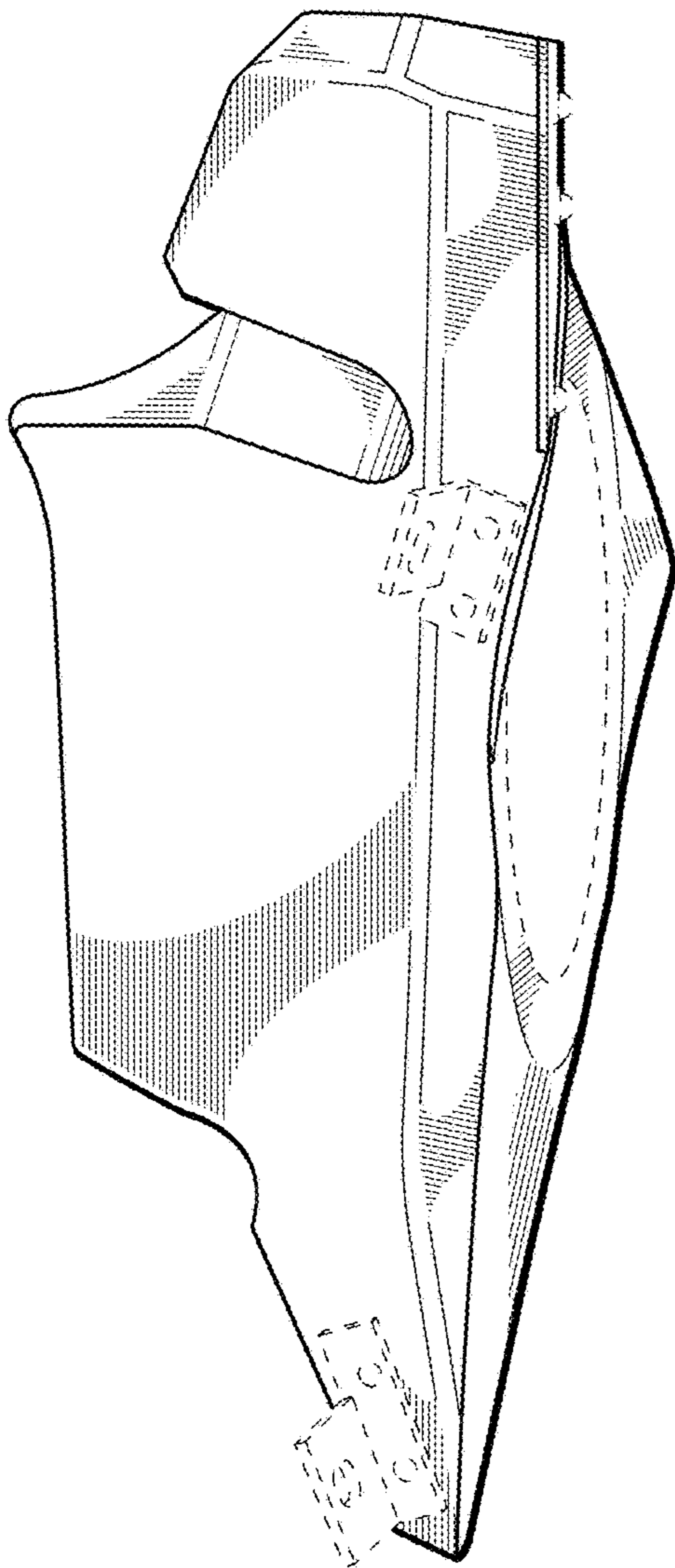


FIG. 6

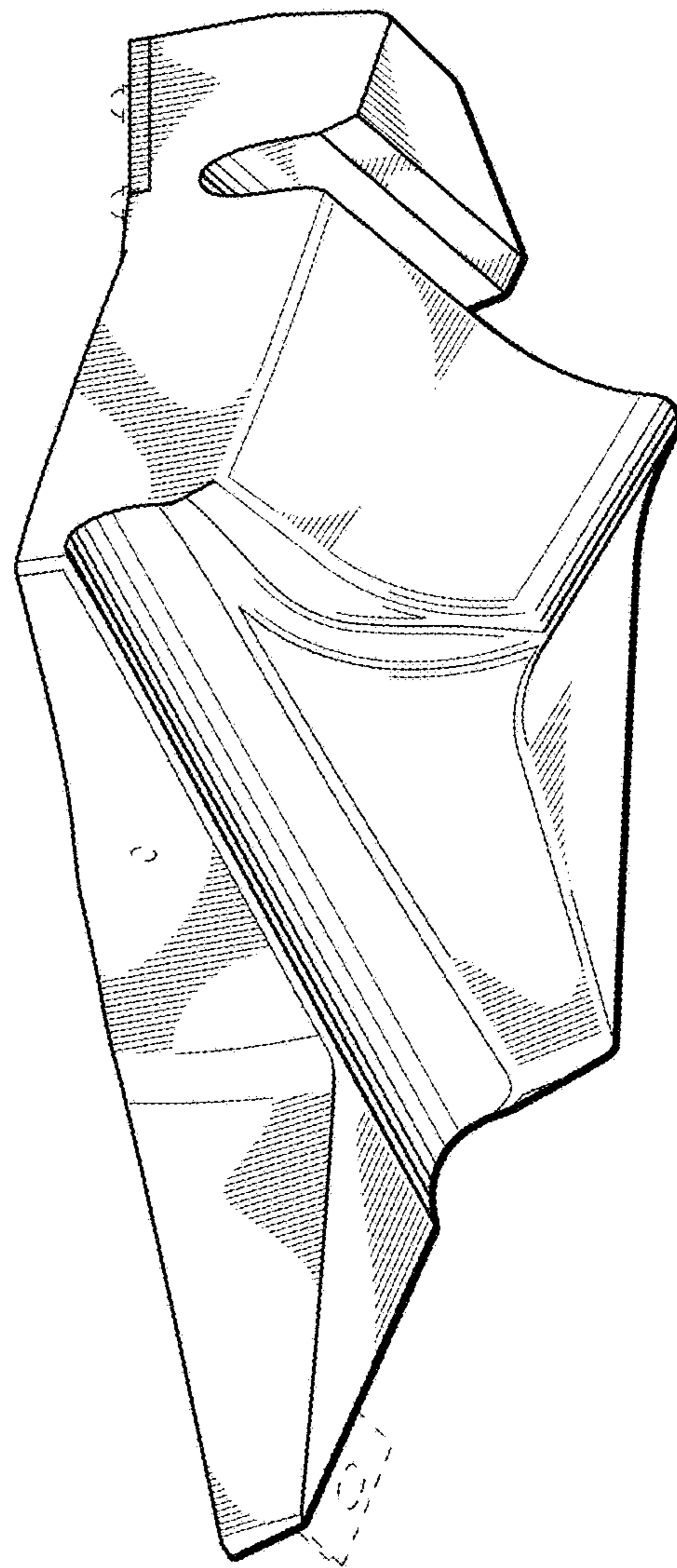


FIG. 7