



US00D810047S

(12) **United States Design Patent**  
**Tzeng et al.**

(10) **Patent No.:** **US D810,047 S**  
(45) **Date of Patent:** **\*\* Feb. 13, 2018**

- (54) **EARPHONE TIP**
- (71) Applicant: **Kingston Digital, Inc.**, Fountain Valley, CA (US)
- (72) Inventors: **Guan Hua Tzeng**, Hsinchu (TW); **Baron King Lee**, Fountain Valley, CA (US); **Wei Min Liang**, Hsinchu (TW); **Pen Hao Ma**, Hsinchu (TW); **Peter Leekuo Chou**, Fountain Valley, CA (US)
- (73) Assignee: **Kingston Digital, Inc.**, Fountain Valley, CA (US)

(\*\*) Term: **15 Years**

(21) Appl. No.: **29/589,476**

(22) Filed: **Dec. 30, 2016**

(30) **Foreign Application Priority Data**

Oct. 5, 2016 (TW) ..... 105305983  
 Nov. 10, 2016 (TW) ..... 105306751

(51) **LOC (11) Cl.** ..... **14-01**

(52) **U.S. Cl.**  
USPC ..... **D14/205; D14/223**

(58) **Field of Classification Search**  
 USPC ..... D14/205, 223; D24/174, 173, 106;  
 181/129, 130, 135; 379/430, 431;  
 381/380, 381, 372, 322, 328, 327;  
 455/90.3, 575.1, 569.1  
 CPC ..... H04R 1/1016; H04R 1/10; H04R 25/00;  
 H04R 25/02; H04R 1/1041; H04R 1/105  
 See application file for complete search history.

(56) **References Cited**

**U.S. PATENT DOCUMENTS**

3,368,644 A \* 2/1968 Henderson ..... G02C 11/06  
 181/129  
 4,532,649 A \* 7/1985 Bellafiore ..... H04R 25/65  
 381/324

4,672,672 A \* 6/1987 Eggert ..... H04R 25/60  
 381/321  
 4,677,675 A \* 6/1987 Killion ..... H04R 25/48  
 181/129  
 4,736,430 A \* 4/1988 Schroder ..... H04R 25/656  
 381/322  
 4,893,344 A \* 1/1990 Tragardh ..... H04M 1/05  
 379/430  
 4,965,838 A \* 10/1990 Kamon ..... H04R 1/1016  
 381/322  
 4,972,492 A \* 11/1990 Tanaka ..... H04R 1/1016  
 181/130  
 D316,550 S \* 4/1991 Sogabe ..... D14/168  
 D331,057 S \* 11/1992 Isonaga ..... D14/205  
 D331,061 S \* 11/1992 Hyohgo ..... D14/223  
 D337,118 S \* 7/1993 Seikita ..... D14/223  
 D337,589 S \* 7/1993 Wada ..... D14/223  
 D344,800 S \* 3/1994 Lamby ..... D24/174

(Continued)

*Primary Examiner* — Paula Allen Greene

(74) *Attorney, Agent, or Firm* — Skaar Ulbrich Macari, P.A.

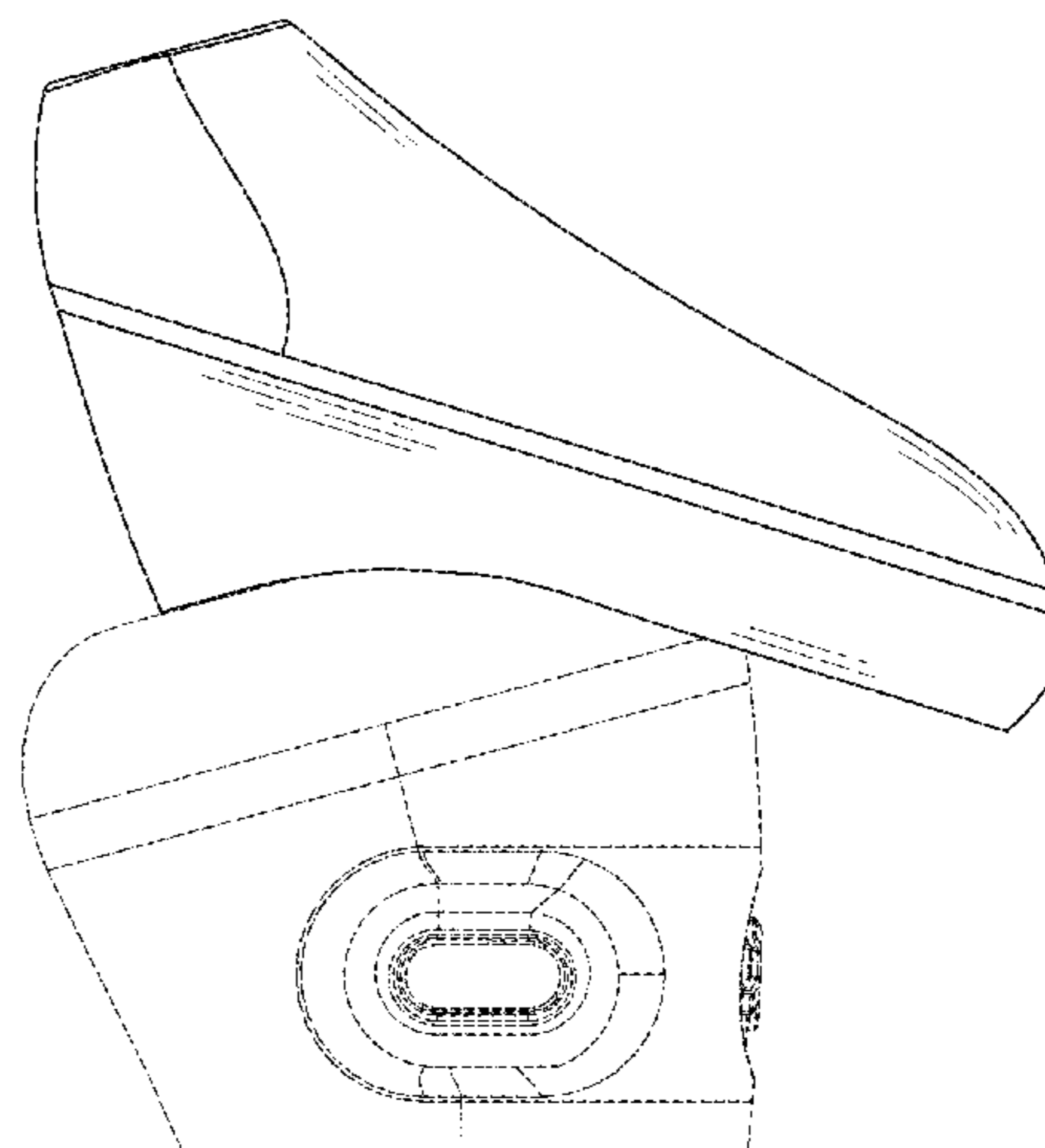
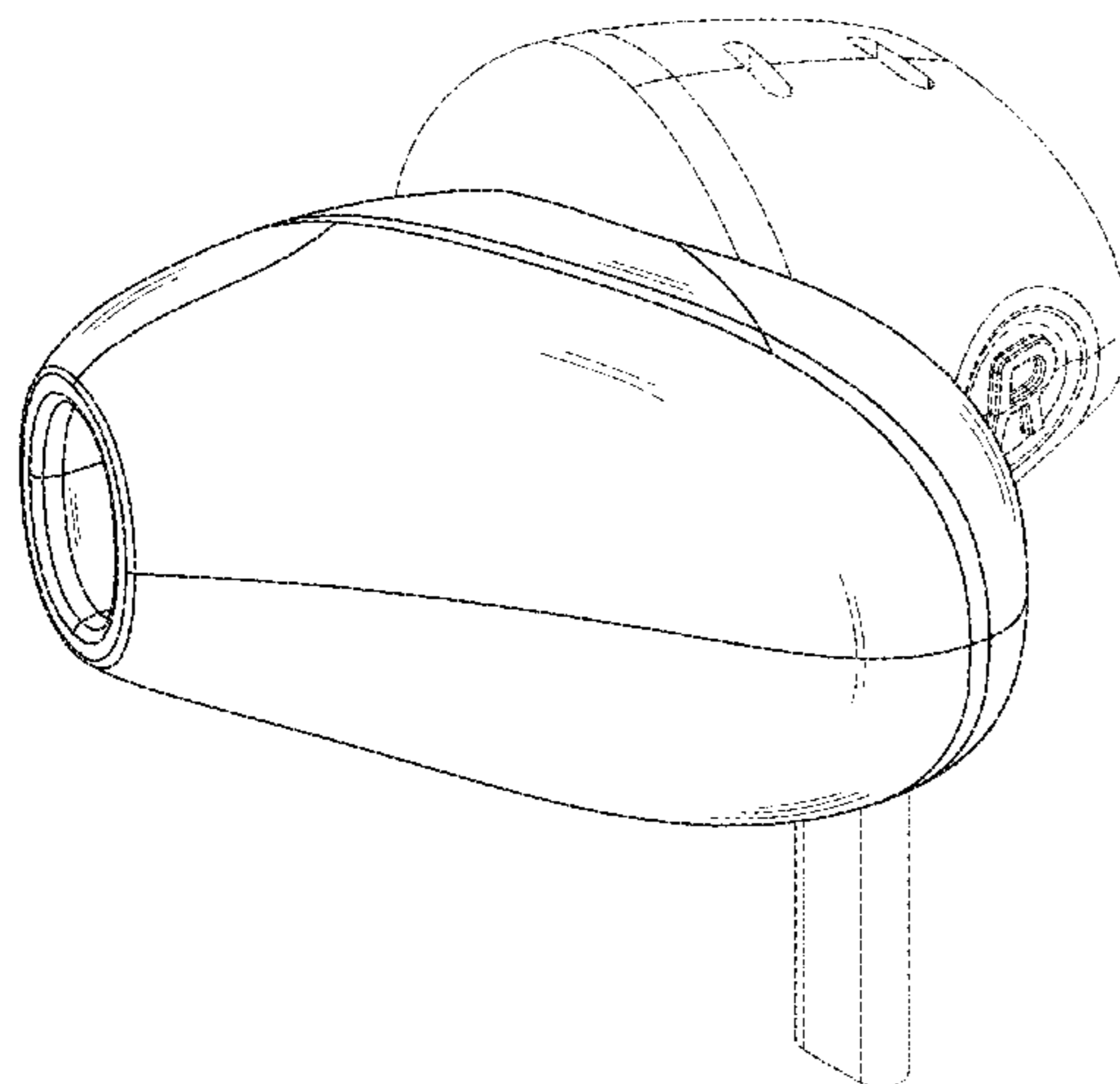
(57) **CLAIM**

We claim an ornamental design for an earphone tip, as shown and described.

**DESCRIPTION**

FIG. 1 is a perspective view of an earphone tip showing the claimed design;  
 FIG. 2 is a front elevational view of FIG. 1;  
 FIG. 3 is a rear elevational view of FIG. 1;  
 FIG. 4 is a left side elevational view of FIG. 1;  
 FIG. 5 is a right side elevational view of FIG. 1;  
 FIG. 6 is a top plan view of FIG. 1; and,  
 FIG. 7 is a bottom plan view of FIG. 1.  
 The broken lines in the figures represent portions of the article which form no part of the claimed design.

**1 Claim, 7 Drawing Sheets**



(56)

References Cited

U.S. PATENT DOCUMENTS

D353,379 S *	12/1994	Nakamura	D14/223	D669,058 S *	10/2012	Lee	D14/223
5,420,935 A *	5/1995	Shinohara	H04R 1/1016	D669,453 S *	10/2012	Katsuraku	D14/223
			379/431	D674,781 S *	1/2013	Sakata	D14/223
D410,079 S *	5/1999	Falco	D24/106	D675,194 S *	1/2013	Andre	D14/205
6,122,369 A *	9/2000	Hwang	H04M 1/6058	8,345,912 B2 *	1/2013	Akihiko	H04R 1/105
			379/420.03				379/430
D463,789 S *	10/2002	DeKalb	D14/223	D676,427 S *	2/2013	Yang	D14/223
D469,753 S *	2/2003	Andre	D14/205	8,391,533 B2 *	3/2013	Sim	H04R 1/1041
6,690,807 B1 *	2/2004	Meyer	G02C 5/143				381/380
			2/12	D681,015 S *	4/2013	Akana	H04R 1/10
D488,460 S *	4/2004	Alwicker	D14/223				D14/223
6,731,772 B1 *	5/2004	Byun	H04R 1/12	D687,418 S *	8/2013	Godfrey	D14/223
			181/130	D687,419 S *	8/2013	Andre	D14/223
D499,397 S *	12/2004	Hlas	D14/223	8,515,116 B2 *	8/2013	Lee	H04R 1/1041
D505,132 S *	5/2005	Linville	D14/223				381/338
D506,744 S *	6/2005	Andre	D14/205	D691,594 S *	10/2013	Akana	D14/223
D515,070 S *	2/2006	Andre	D14/205	D694,220 S *	11/2013	Lee	D14/223
D518,008 S *	3/2006	Peng	D14/129	D706,643 S *	6/2014	Akana	D9/432
D523,846 S *	6/2006	Lee	D14/205	D707,206 S *	6/2014	Akana	H04R 1/10
D533,868 S *	12/2006	Koizumi	D14/223				D14/223
D540,313 S *	4/2007	Rausch	D14/225	D711,857 S *	8/2014	Burgett	D14/223
D554,109 S *	10/2007	Ledbetter	D14/223	8,800,712 B2 *	8/2014	Campbell	H04R 25/652
D557,689 S *	12/2007	Huang	D14/223				181/135
D566,687 S *	4/2008	Duarte	D14/205	D712,279 S *	9/2014	Akana	D9/721
D568,291 S *	5/2008	Andre	D14/205	D718,284 S *	11/2014	Shibusawa	D14/223
D573,977 S *	7/2008	Ledbetter	D14/205	D718,285 S *	11/2014	Shibusawa	D14/223
D575,269 S *	8/2008	Ledbetter	D14/205	D719,132 S *	12/2014	Toelle	D14/205
D578,518 S *	10/2008	Ewert	D14/223	8,965,030 B2 *	2/2015	Aase	H04R 1/1016
D579,923 S *	11/2008	Andre	D14/205				381/370
D587,677 S *	3/2009	Andre	D14/205	D728,533 S *	5/2015	Poulsen	D14/223
D589,491 S *	3/2009	Andre	D14/205	D732,007 S *	6/2015	Oksman	D14/223
D589,498 S *	3/2009	Komiyama	D14/223	D732,008 S *	6/2015	Akana	H04R 1/10
D590,375 S *	4/2009	Komiyama	D14/223				D14/223
D593,537 S *	6/2009	Arimoto	D14/205	D733,101 S *	6/2015	Pi	D14/223
D596,616 S *	7/2009	Andre	D14/205	D733,689 S *	7/2015	Narita	D14/223
D599,330 S *	9/2009	Andre	D14/223	D738,864 S *	9/2015	Lee	D14/223
D601,134 S *	9/2009	Elabidi	D14/223	D741,287 S *	10/2015	Harata	D14/205
D616,874 S *	6/2010	Matsuoka	D14/223	D747,295 S *	1/2016	Eastwood	D14/223
D618,209 S *	6/2010	Andre	D14/205	D755,759 S *	5/2016	Cai	D14/223
D618,210 S *	6/2010	Andre	D14/205	D757,682 S *	5/2016	Perez	D14/205
D618,219 S *	6/2010	Burgett	D14/223	D770,425 S *	11/2016	Son	D14/205
D622,265 S *	8/2010	Rye	D14/223	D780,157 S *	2/2017	Uggla	D14/205
D626,948 S *	11/2010	Nault	D14/223	D801,314 S *	10/2017	Akana	D14/223
D627,766 S *	11/2010	Arimoto	D14/223	2012/0155692 A1 *	6/2012	Chen	H04R 1/1058
D628,193 S *	11/2010	Zheng	D14/223				381/380
D632,282 S *	2/2011	Kitayama	D14/223	2012/0237074 A1 *	9/2012	Aase	H04R 1/1016
D633,086 S *	2/2011	Chen	D14/223				381/380
D635,960 S *	4/2011	Gondo	D14/223	2013/0004011 A1 *	1/2013	Hayashida	H04R 1/1016
D639,279 S *	6/2011	Andre	D14/223				381/380
D641,738 S *	7/2011	Perez	D14/223	2013/0343593 A1 *	12/2013	Howes	H04R 1/1016
D652,823 S *	1/2012	Chen	D14/223				381/380
D656,481 S *	3/2012	McManigal	D14/205	2013/0343595 A1 *	12/2013	Zorkendorfer	H04R 1/10
D662,493 S *	6/2012	Chen	D14/223				381/380
D662,495 S *	6/2012	Andre	D14/223	2015/0382100 A1 *	12/2015	Azmi	H04R 1/1091
D664,523 S *	7/2012	Naitou	D14/223				381/380
D666,580 S *	9/2012	Lee	D14/223	2017/0164087 A1 *	6/2017	Kurtz	H04R 1/1091

\* cited by examiner

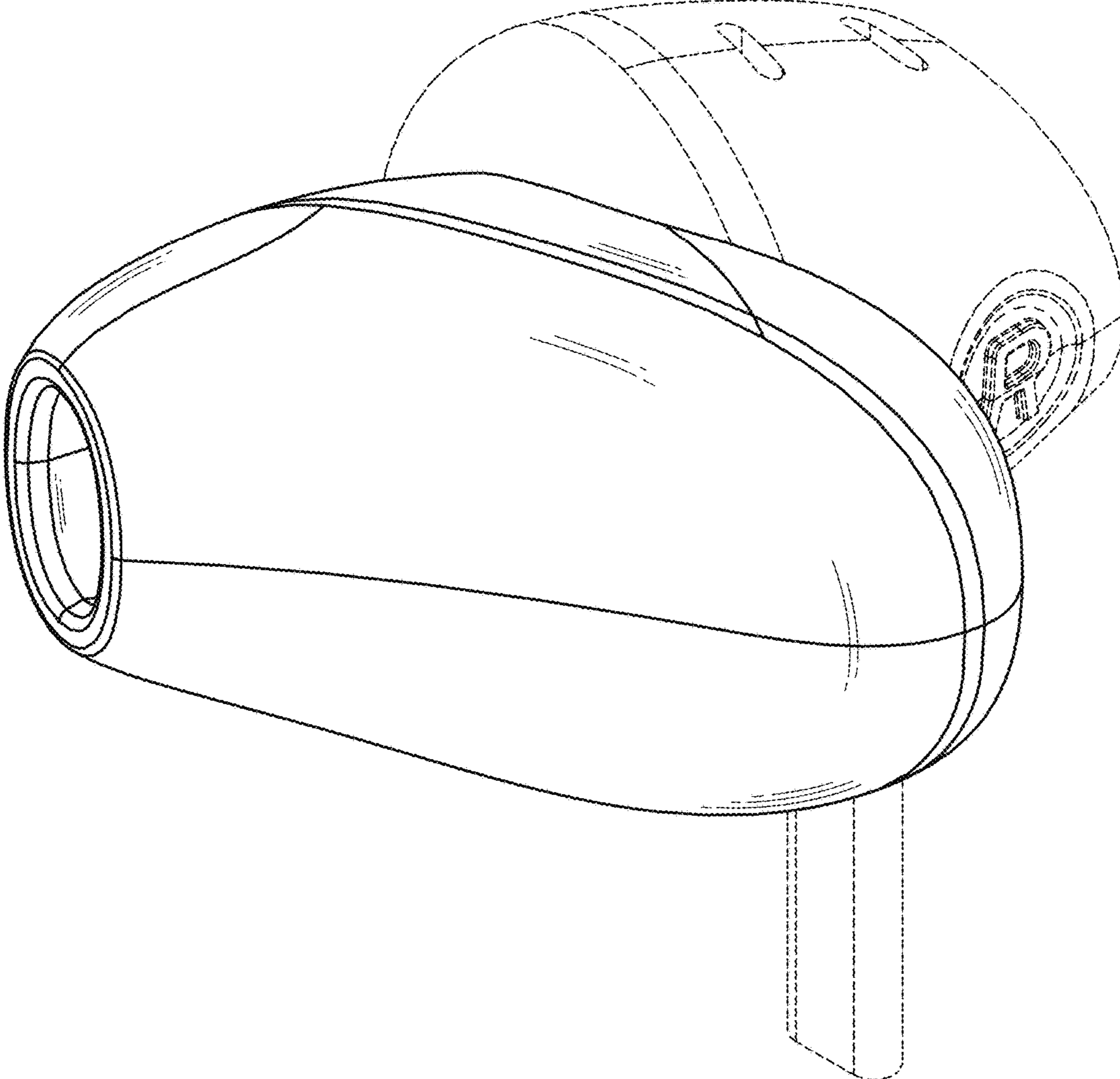


FIG.1

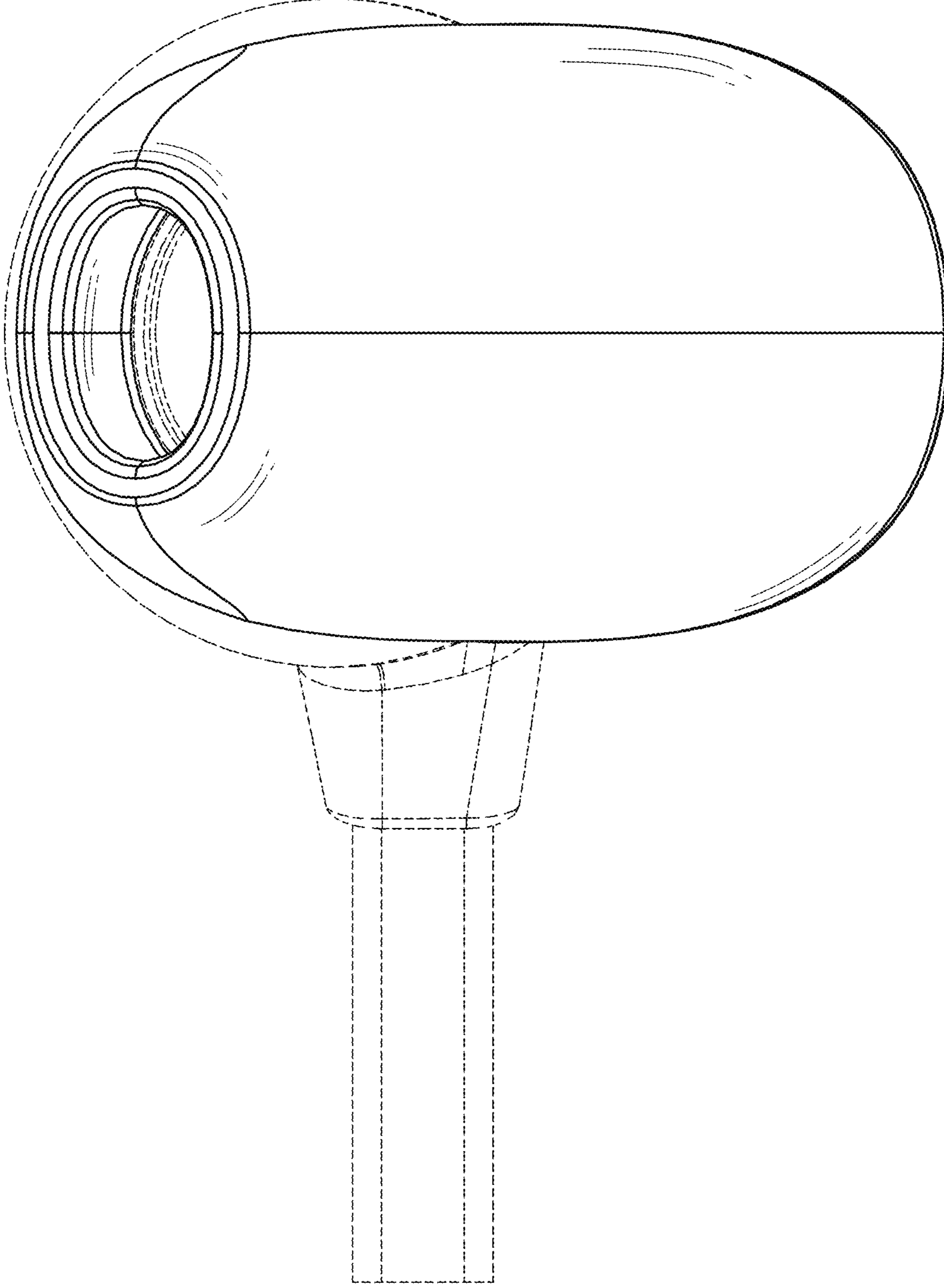


FIG.2

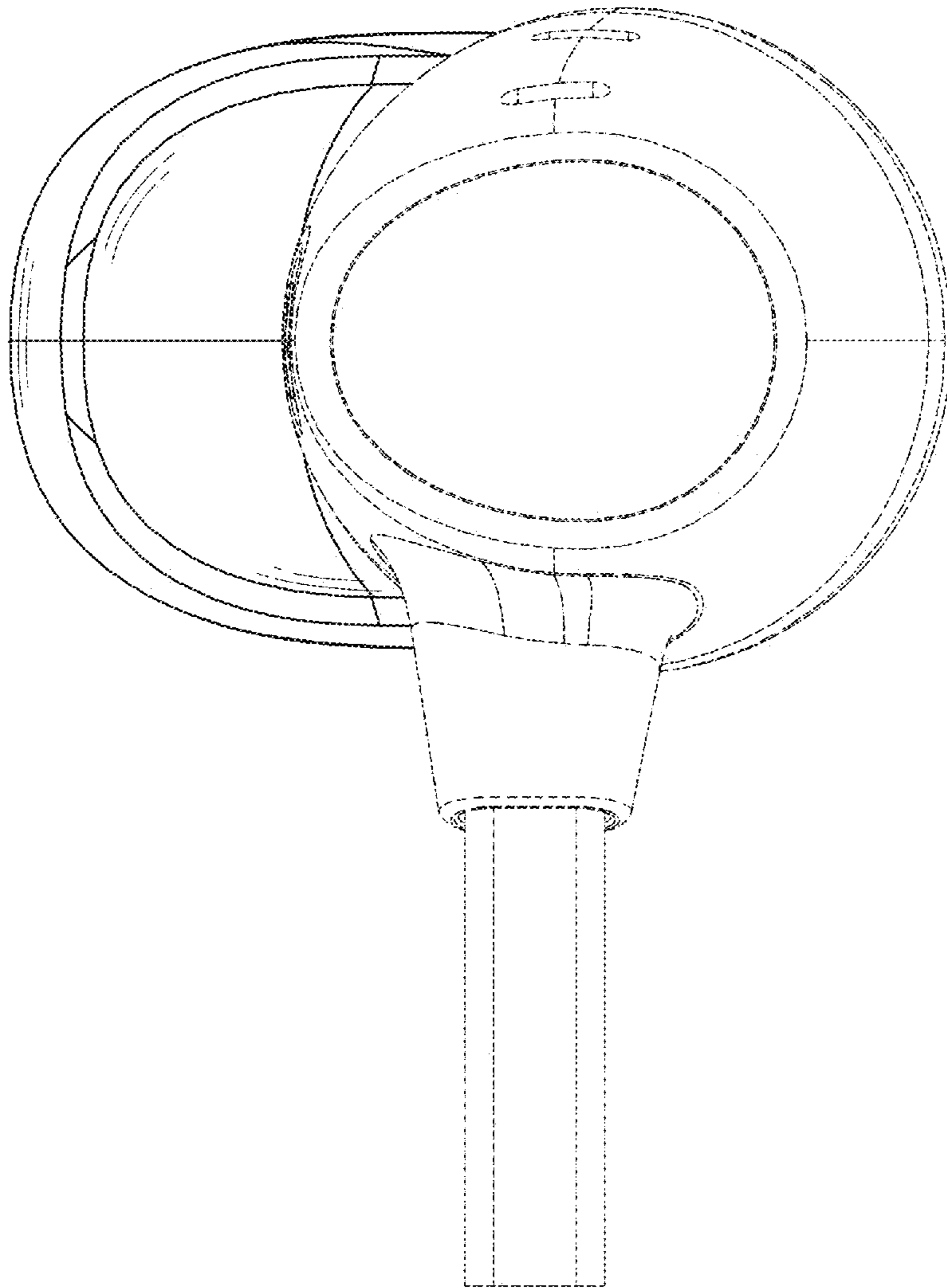


FIG.3

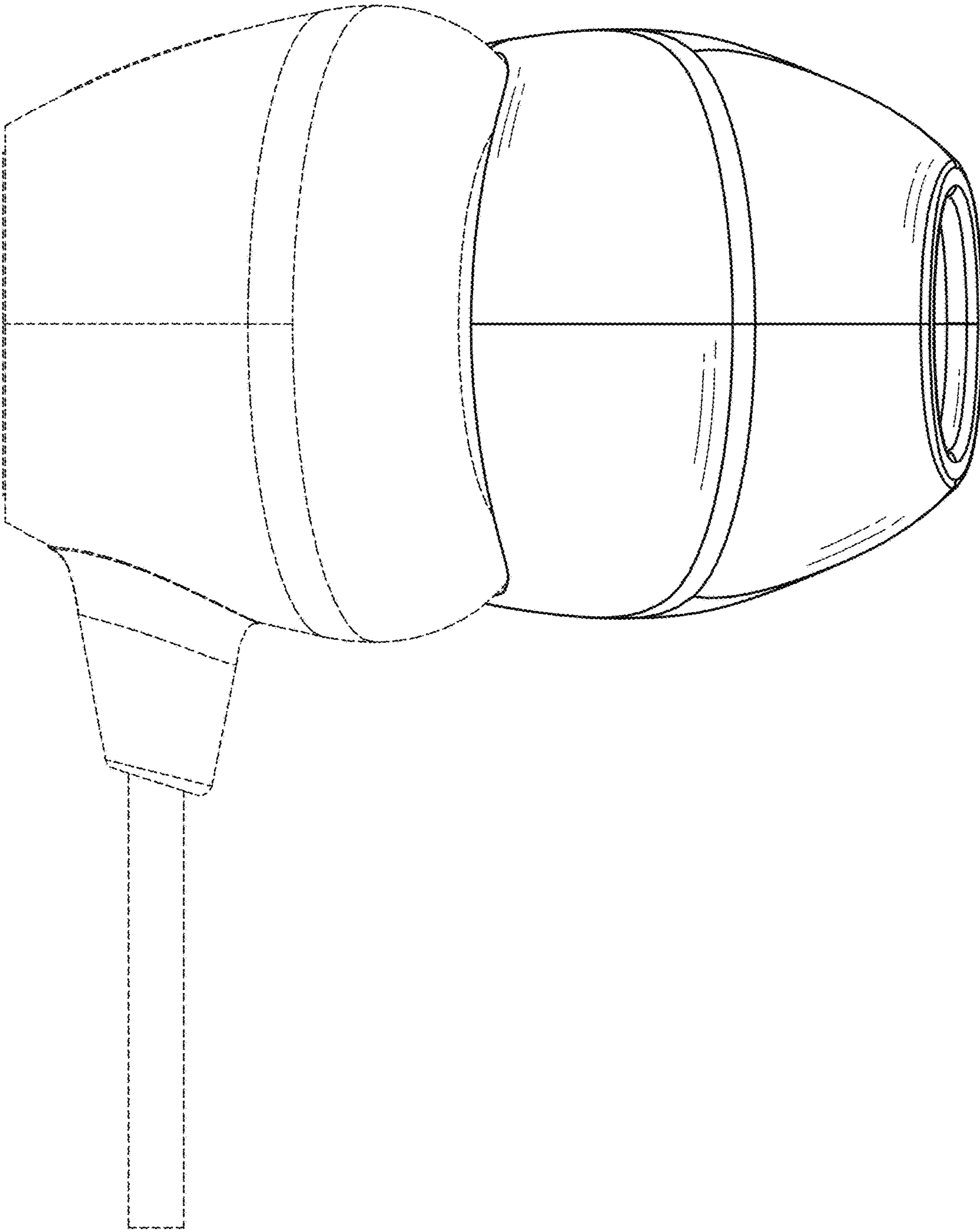


FIG.4

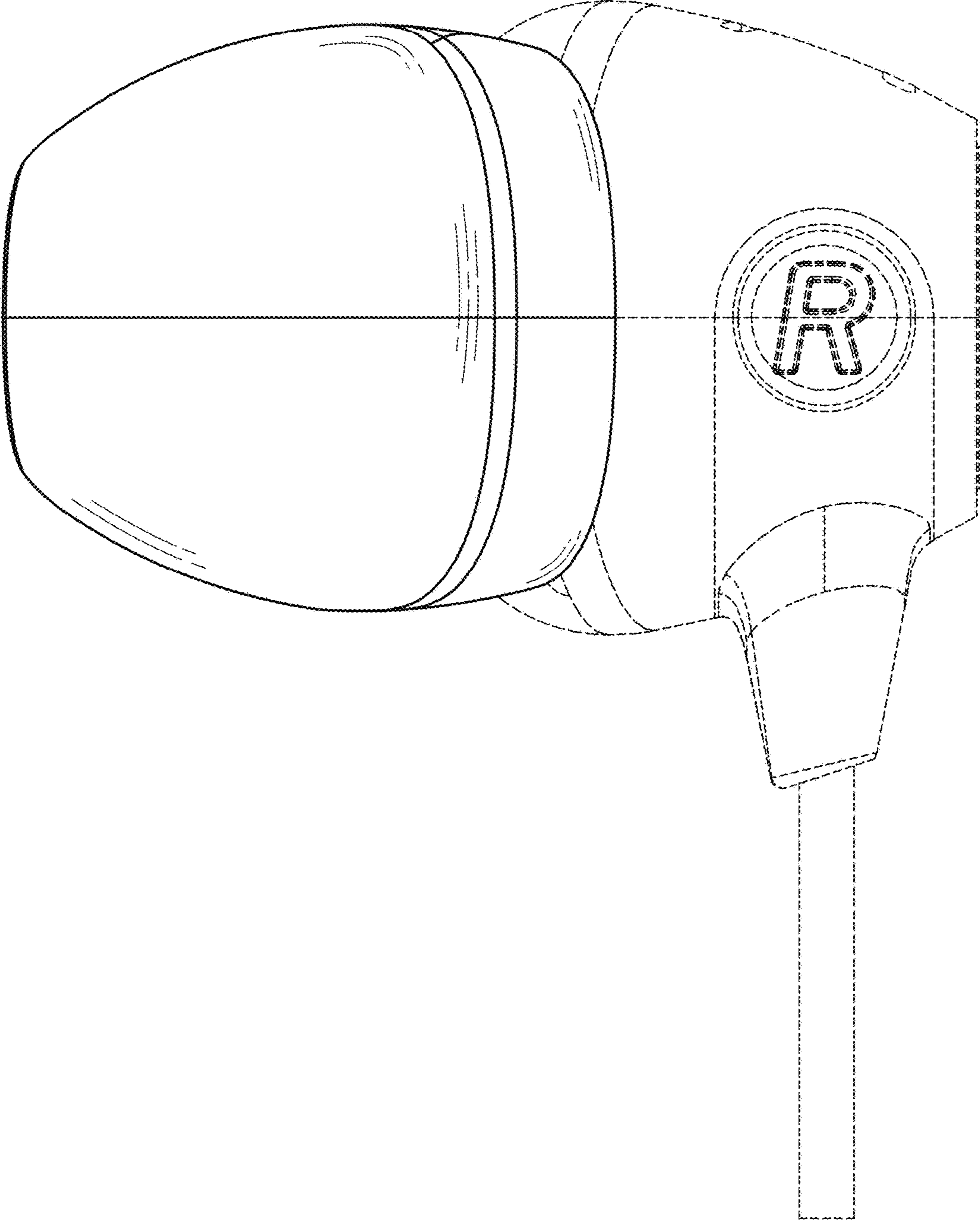


FIG.5

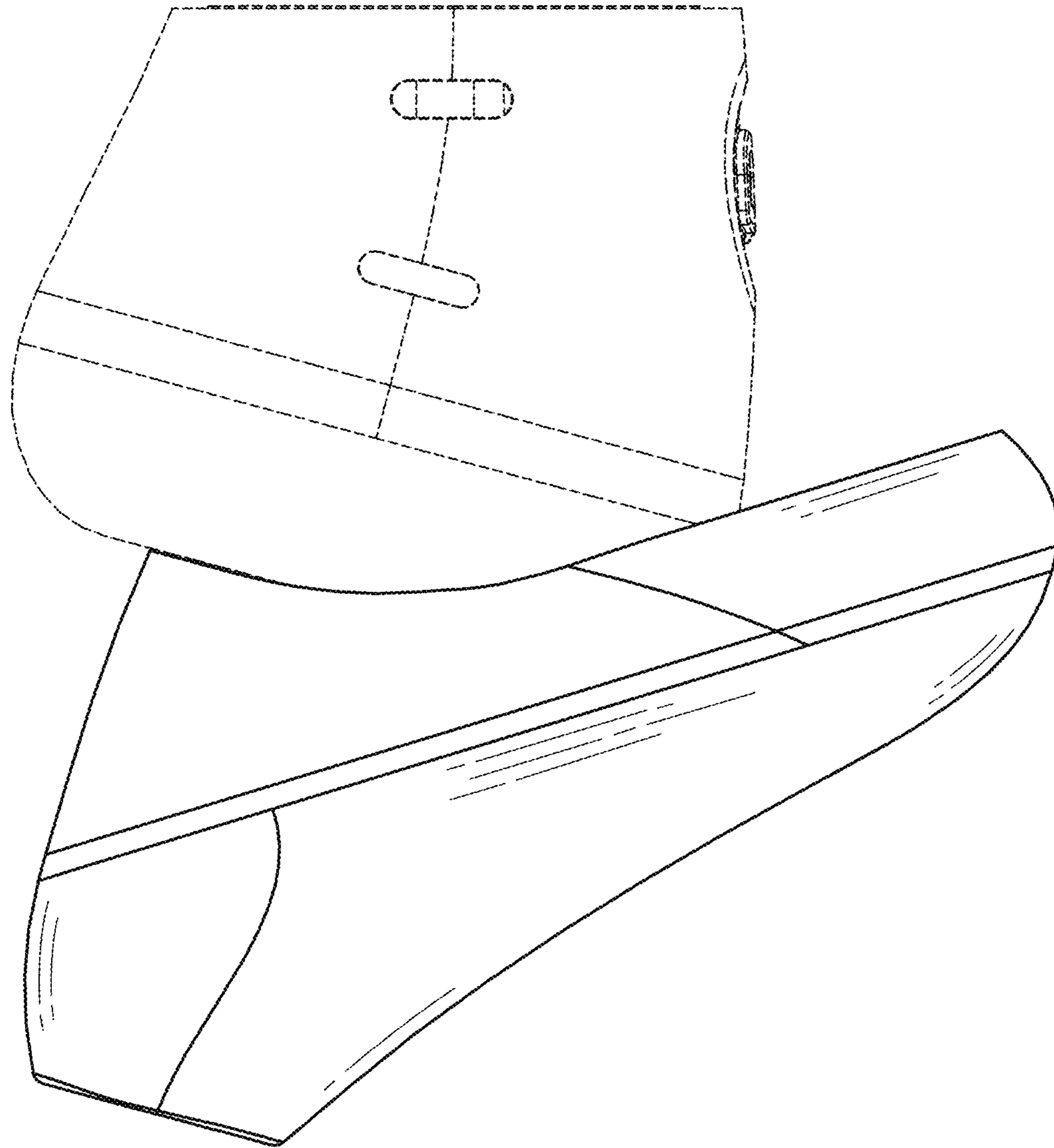


FIG. 6



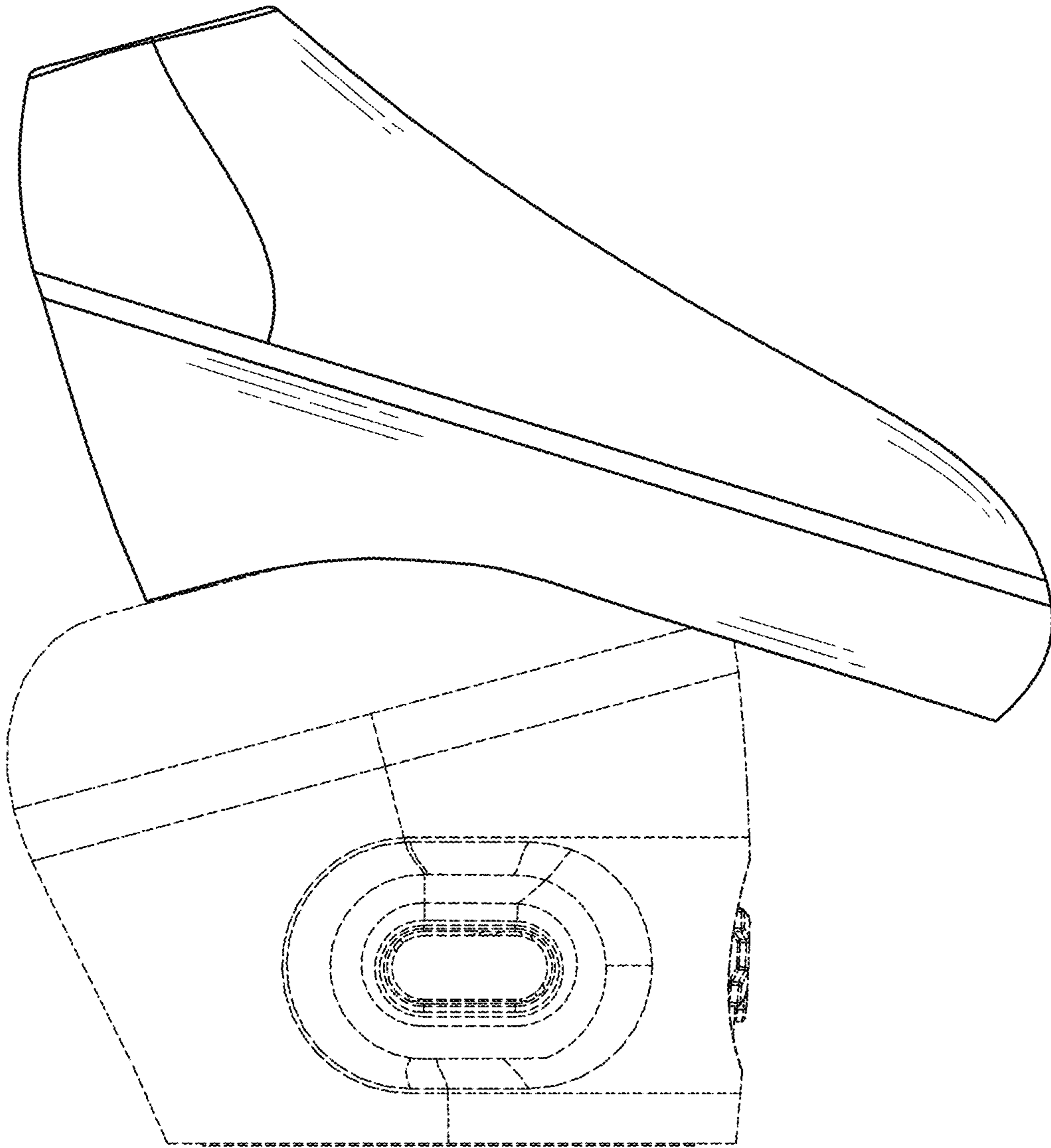


FIG.7