



US00D810046S

(12) **United States Design Patent**
Dryden et al.

(10) **Patent No.:** **US D810,046 S**
(45) **Date of Patent:** **** Feb. 13, 2018**

- (54) **SET OF HEADPHONES**
- (71) Applicant: **Bose Corporation**, Framingham, MA (US)
- (72) Inventors: **Joshua Kevin Dryden**, Marlborough, MA (US); **Julie E. Tierney**, Shrewsbury, MA (US); **Nathan David Schaal**, Cambridge, MA (US); **Adam A. Carr**, Southborough, MA (US); **Mitchell Joseph Silva**, Groton, MA (US); **Sebastian Garcia**, Boston, MA (US); **Joel H. Miller**, Westborough, MA (US); **Gustavo Fontana**, Framingham, MA (US); **Stephen D. Boyle**, Newton, MA (US)
- (73) Assignee: **Bose Corporation**, Framingham, MA (US)
- (**) Term: **15 Years**
- (21) Appl. No.: **29/559,974**
- (22) Filed: **Apr. 1, 2016**
- (51) **LOC (11) Cl.** **14-01**
- (52) **U.S. Cl.**
USPC **D14/205**
- (58) **Field of Classification Search**
USPC D14/205, 188, 192; D29/112; 2/209; 181/129, 130, 135; 379/430, 431; 381/74, 380, 381, 375, 378, 370, 374, 381/379; 455/90.3, 575.1, 569.1
CPC H04R 1/1066; H04R 1/1016; H04R 1/10; H04R 25/00; H04R 5/0335; H04R 5/033
See application file for complete search history.

D323,167 S *	1/1992	Yamazaki	D14/205
D328,461 S *	8/1992	Daido	D14/205
D338,010 S *	8/1993	Yamatogi	D14/205
D340,033 S *	10/1993	Okumura	D14/192
D484,485 S *	12/2003	Matsuoka	D14/205
7,072,483 B2 *	7/2006	Lenhard-Backhaus	H04R 1/1066
				381/370
D560,654 S *	1/2008	Feng	D14/205
D625,705 S *	10/2010	Ohori	D14/205
D657,344 S *	4/2012	Brunner	D14/205
D660,823 S *	5/2012	Hardi	D14/205
D662,080 S *	6/2012	Carr	D14/205
D673,136 S *	12/2012	Kelly	D14/205
D673,929 S *	1/2013	Combs	D14/205
D675,595 S *	2/2013	Cho	D14/205
D721,052 S	1/2015	Carr et al.		
9,031,254 B2 *	5/2015	Heise	H04R 1/1066
				379/55.1
D737,799 S	9/2015	Carr et al.		

* cited by examiner

Primary Examiner — Paula Allen Greene

(57) **CLAIM**

The ornamental design for set of headphones, substantially as shown and described.

DESCRIPTION

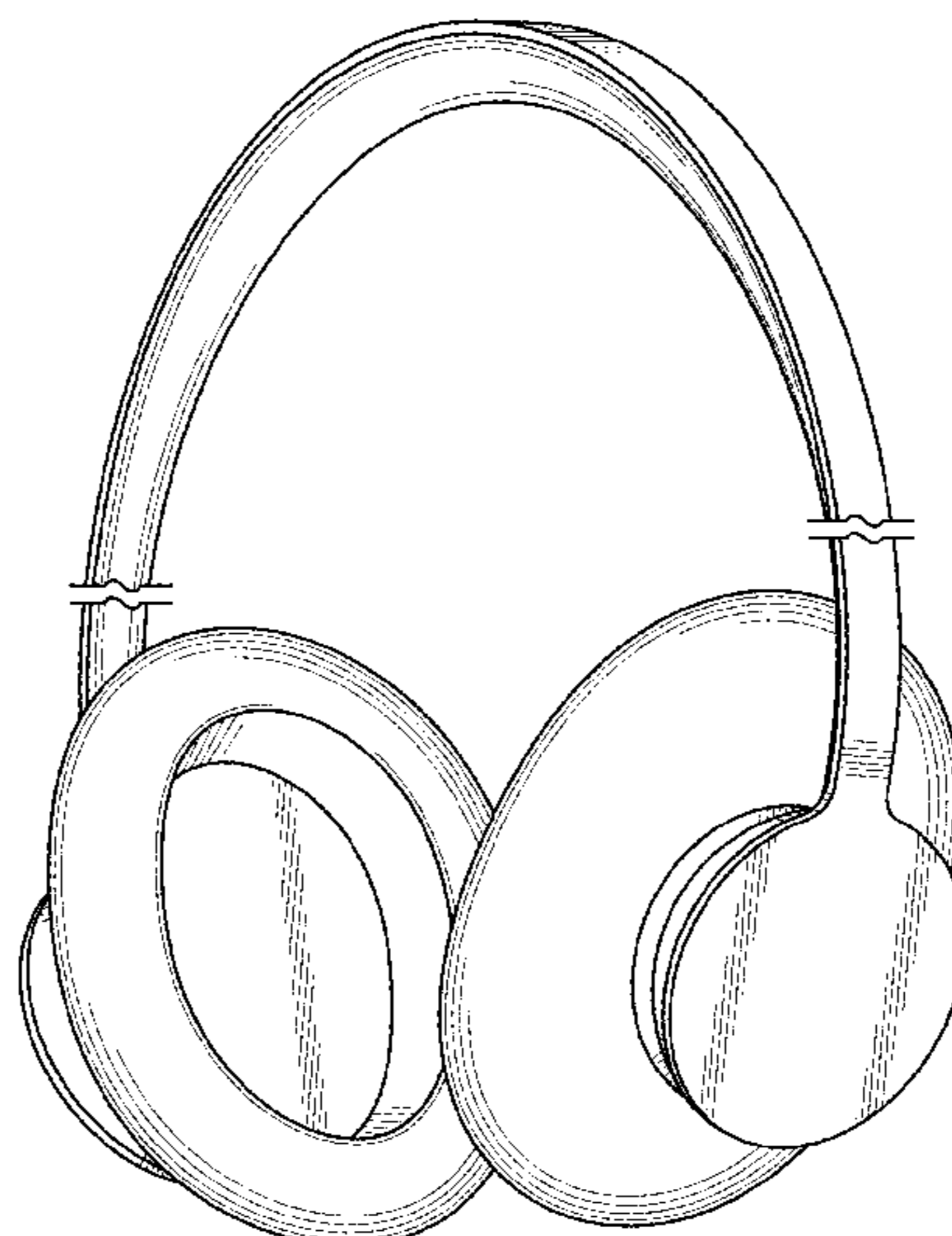
FIG. 1 is a perspective view of a set of headphones as seen from the front and left side;
FIG. 2 is a front view thereof;
FIG. 3 is a back view thereof;
FIG. 4 is a top view thereof;
FIG. 5 is a bottom view thereof;
FIG. 6 is a right side view thereof; and,
FIG. 7 is a left side view thereof.

The dotted line portions of the drawings represent environmental structure only and do not form part of the claimed design. The headband of the set of headphones is shown with a symbolic break in its length. The appearance of any portion of the article between the break lines forms no part of the claimed design.

1 Claim, 5 Drawing Sheets

(56) **References Cited**
U.S. PATENT DOCUMENTS

D270,634 S *	9/1983	Ungar	D14/205
D310,081 S *	8/1990	Daido	D14/205



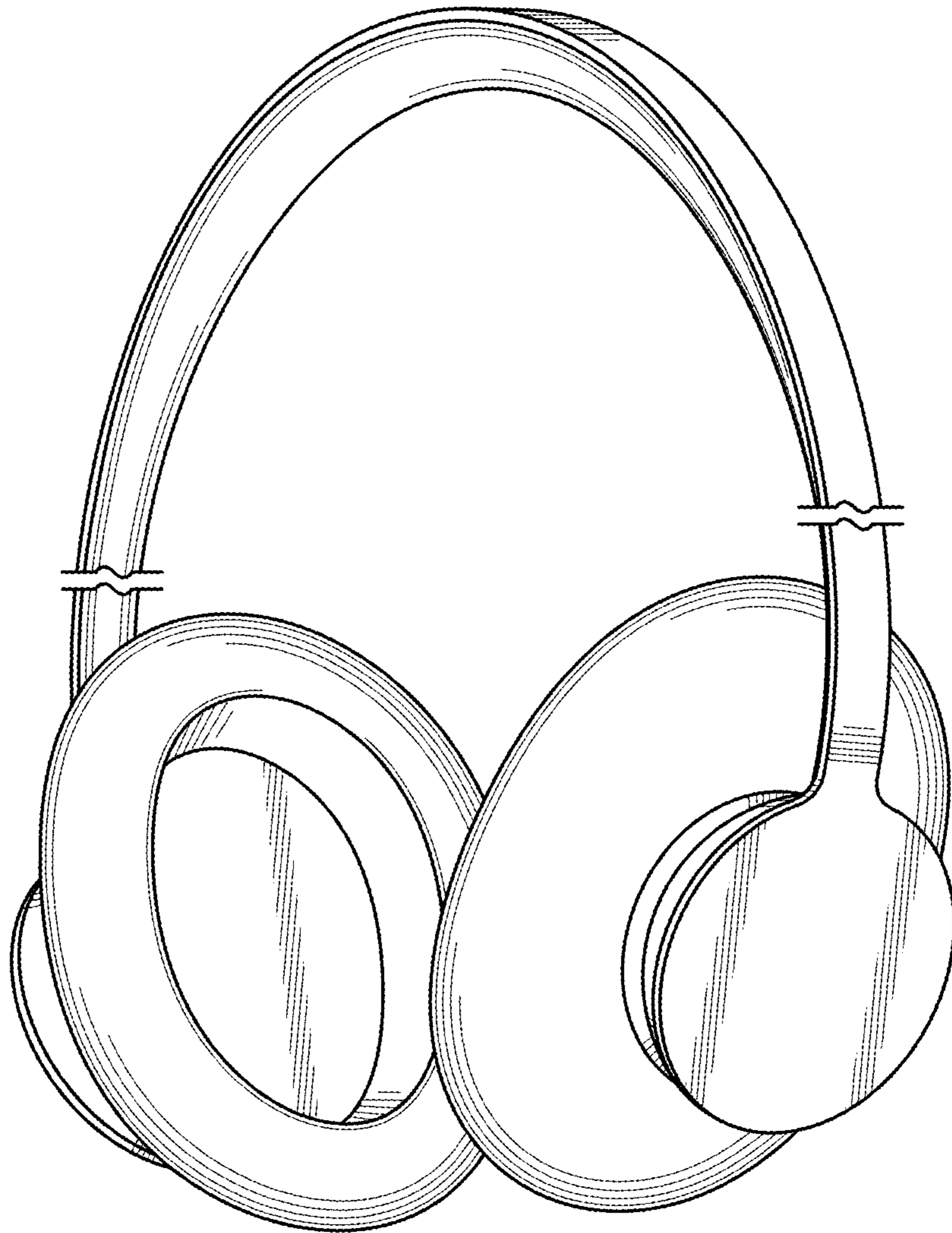


FIG. 1



FIG. 2



FIG. 3

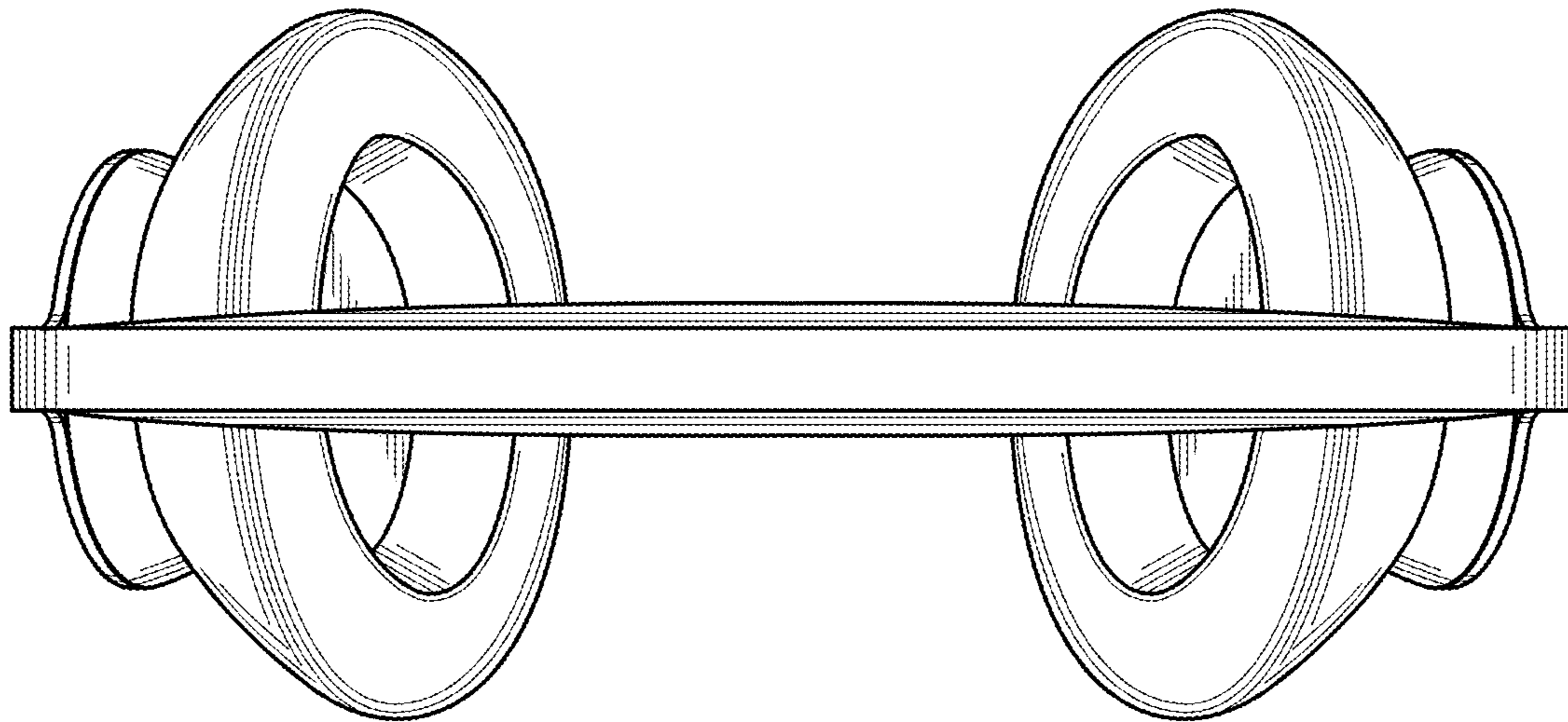


FIG. 4

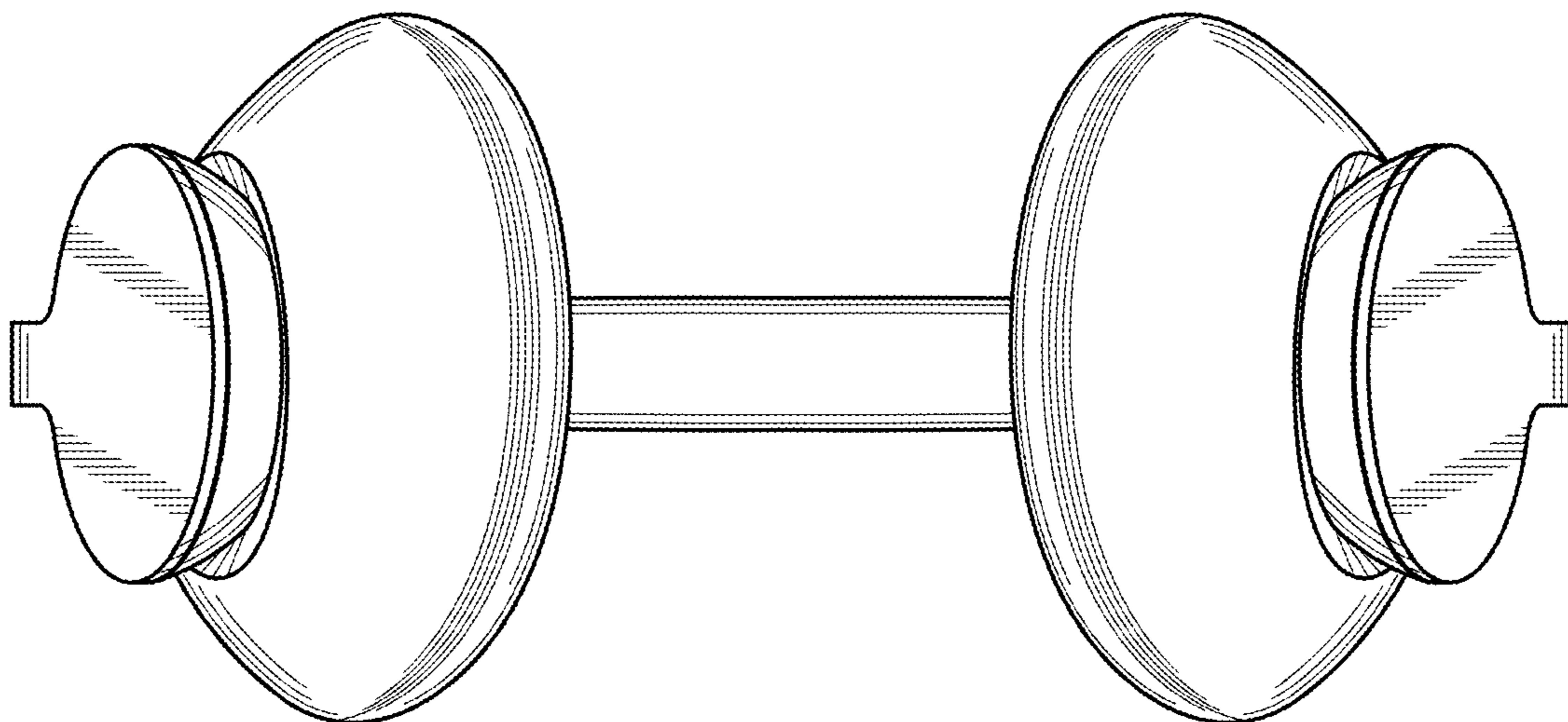


FIG. 5

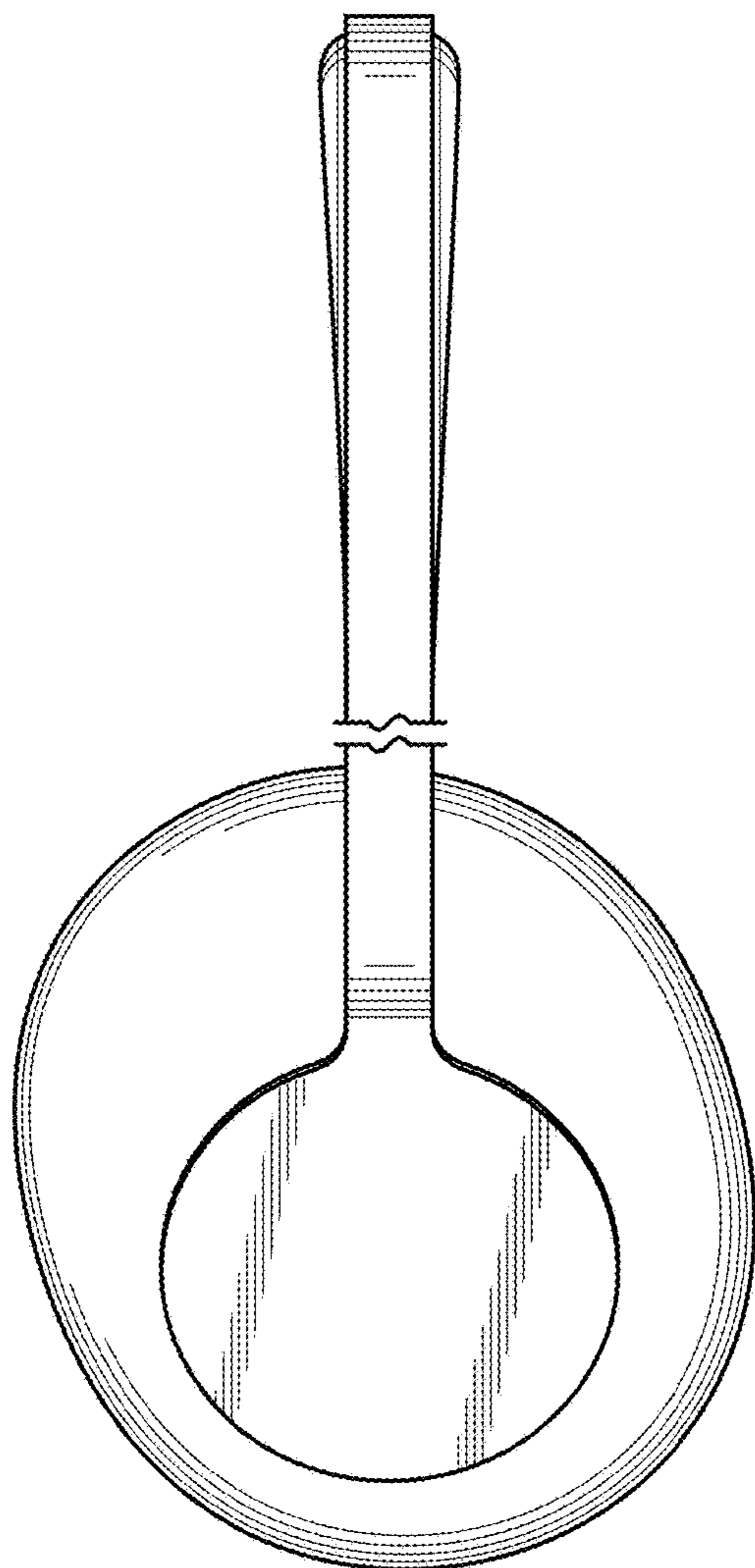


FIG. 6

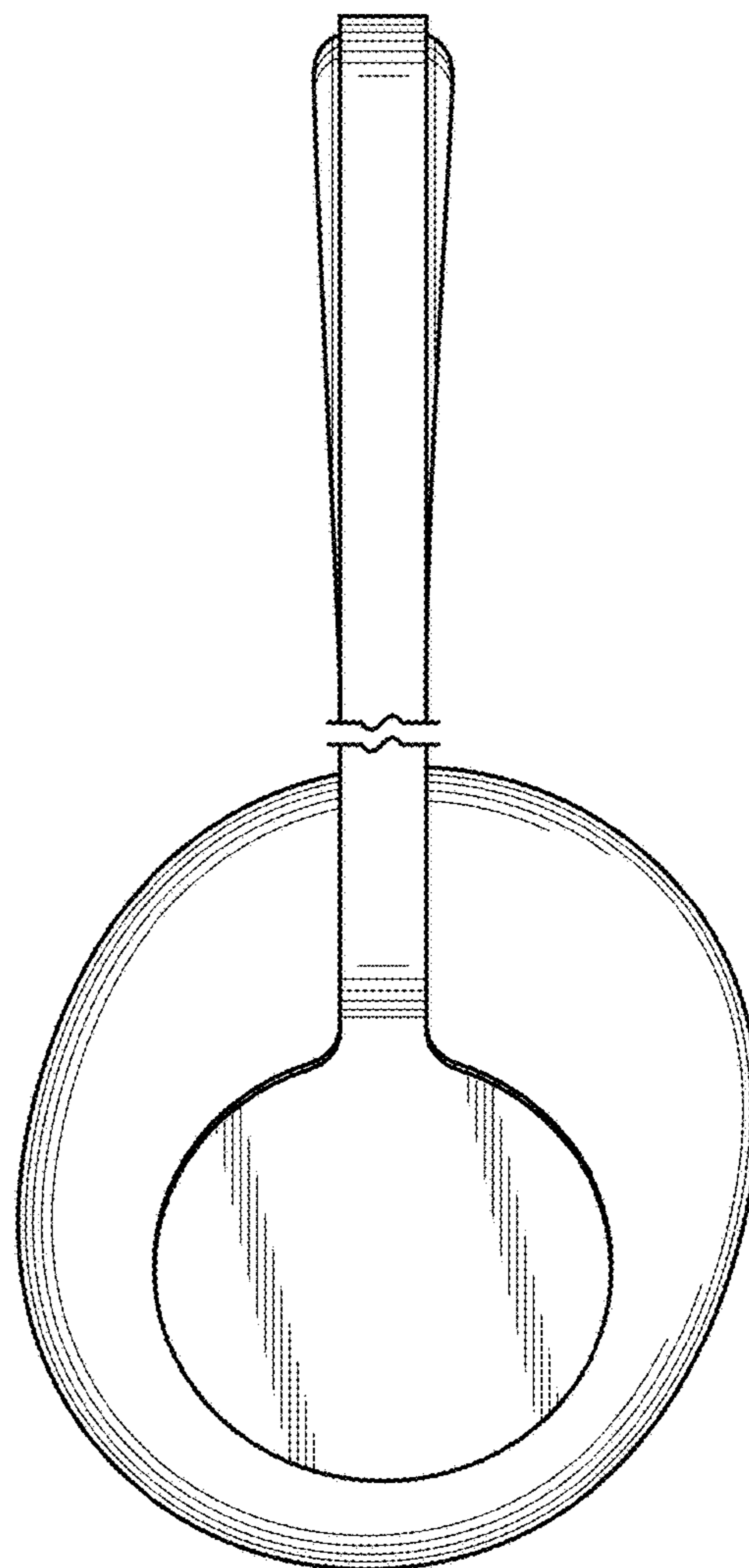


FIG. 7