



US00D810045S

(12) **United States Design Patent**
Kim et al.

(10) **Patent No.:** **US D810,045 S**
(45) **Date of Patent:** **** Feb. 13, 2018**

(54) **BLUETOOTH SPEAKER**

(71) Applicant: **LG ELECTRONICS INC.**, Seoul
(KR)

(72) Inventors: **Sungwoo Kim**, Seoul (KR);
Seunghyun Ji, Seoul (KR); **Hanwool Choi**, Seoul (KR)

(73) Assignee: **LG ELECTRONICS INC.**, Seoul
(KR)

(**) Term: **15 Years**

(21) Appl. No.: **29/535,614**

(22) Filed: **Aug. 7, 2015**

(30) **Foreign Application Priority Data**

Feb. 9, 2015 (KR) 30-2015-0006902

(51) **LOC (11) Cl.** **14-01**

(52) **U.S. Cl.**
USPC **D14/204**

(58) **Field of Classification Search**
USPC D14/167, 168, 170–172, 188,
D14/203.1–203.8, 204, 209.1, 210–213,
D14/215, 216, 498–510; 181/143, 144,
181/148, 153, 157, 198, 199; 369/6–12;
381/300–303, 361–364, 366, 386–388
CPC G06F 1/1688; G10K 9/22; H04N 5/64;
H04R 1/02; H04R 1/021; H04R 1/025;
H04R 1/026; H04R 1/028; H04R 1/403;
H04R 1/2803; H04R 1/2834; H04R 5/02;
H04R 9/06; H04R 19/013; H04R
2201/021; H04R 2400/00; H04R 2499/11;
H05K 5/00; H05K 5/0086
See application file for complete search history.

(56) **References Cited**

U.S. PATENT DOCUMENTS

D438,195 S * 2/2001 Chao D14/222
D496,038 S * 9/2004 Floyd D14/356

D504,882 S * 5/2005 Bhavnani D14/168
D521,927 S * 5/2006 Franck D13/108
D577,356 S * 9/2008 Moon D14/168

(Continued)

OTHER PUBLICATIONS

Urge Basics Bluetooth Disc Speaker, announced Dec. 2013,
[online], site visited Nov. 10, 2016. Available from Internet, <URL:
<http://www.amazon.com>>.*

Primary Examiner — Ian Simmons

Assistant Examiner — Janice Patyk

(74) *Attorney, Agent, or Firm* — Birch, Stewart, Kolasch
& Birch, LLP

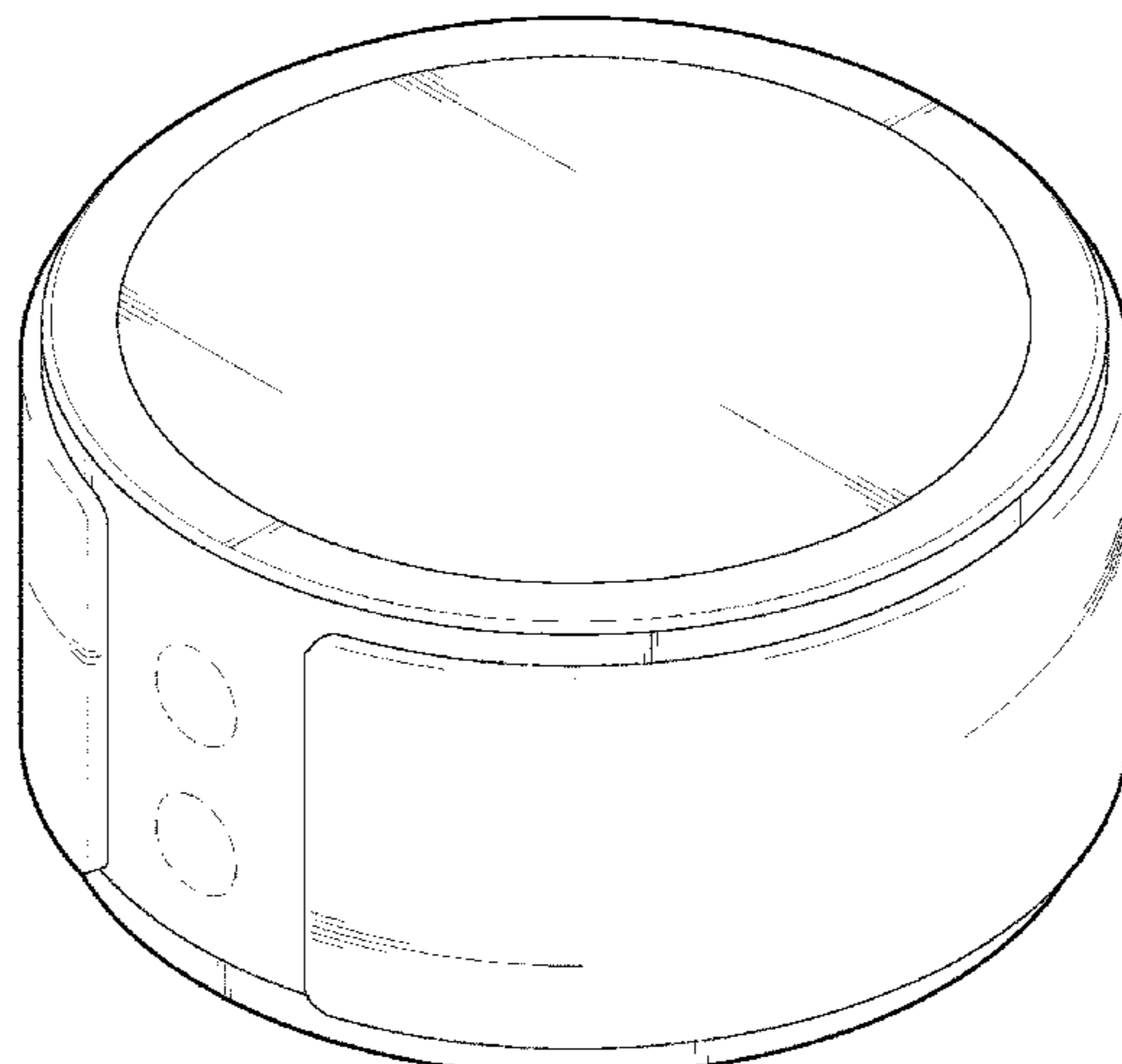
(57) **CLAIM**

The ornamental design for a bluetooth speaker, as shown and
described.

DESCRIPTION

FIG. 1 is a perspective view of a bluetooth speaker showing
our new design;
FIG. 2 is a front view thereof;
FIG. 3 is a rear view thereof;
FIG. 4 is a left side view thereof, and the right side view
being a mirror image thereof;
FIG. 5 is a top plan view thereof;
FIG. 6 is a bottom plan view thereof;
FIG. 7 is a perspective view thereof, shown in lifted con-
dition;
FIG. 8 is a front view thereof, shown in lifted condition;
FIG. 9 is a rear view thereof, shown in lifted condition; and,
FIG. 10 is a left side view thereof, shown in lifted condition.
The broken lines depict portions of the bluetooth speaker
that form no part of the claimed design. The dot-dash broken
lines represent the bounds of the claimed design and form no
part thereof.

1 Claim, 8 Drawing Sheets



(56)

References Cited

U.S. PATENT DOCUMENTS

D585,898	S	*	2/2009	Skurdal	D14/434
D602,911	S	*	10/2009	Wang	D14/216
D617,314	S	*	6/2010	Zha	D14/216
D652,023	S	*	1/2012	Chen	D14/216
D671,528	S	*	11/2012	Fathollahi	D14/211
D692,898	S	*	11/2013	Luijben	D14/447

* cited by examiner

FIG. 1

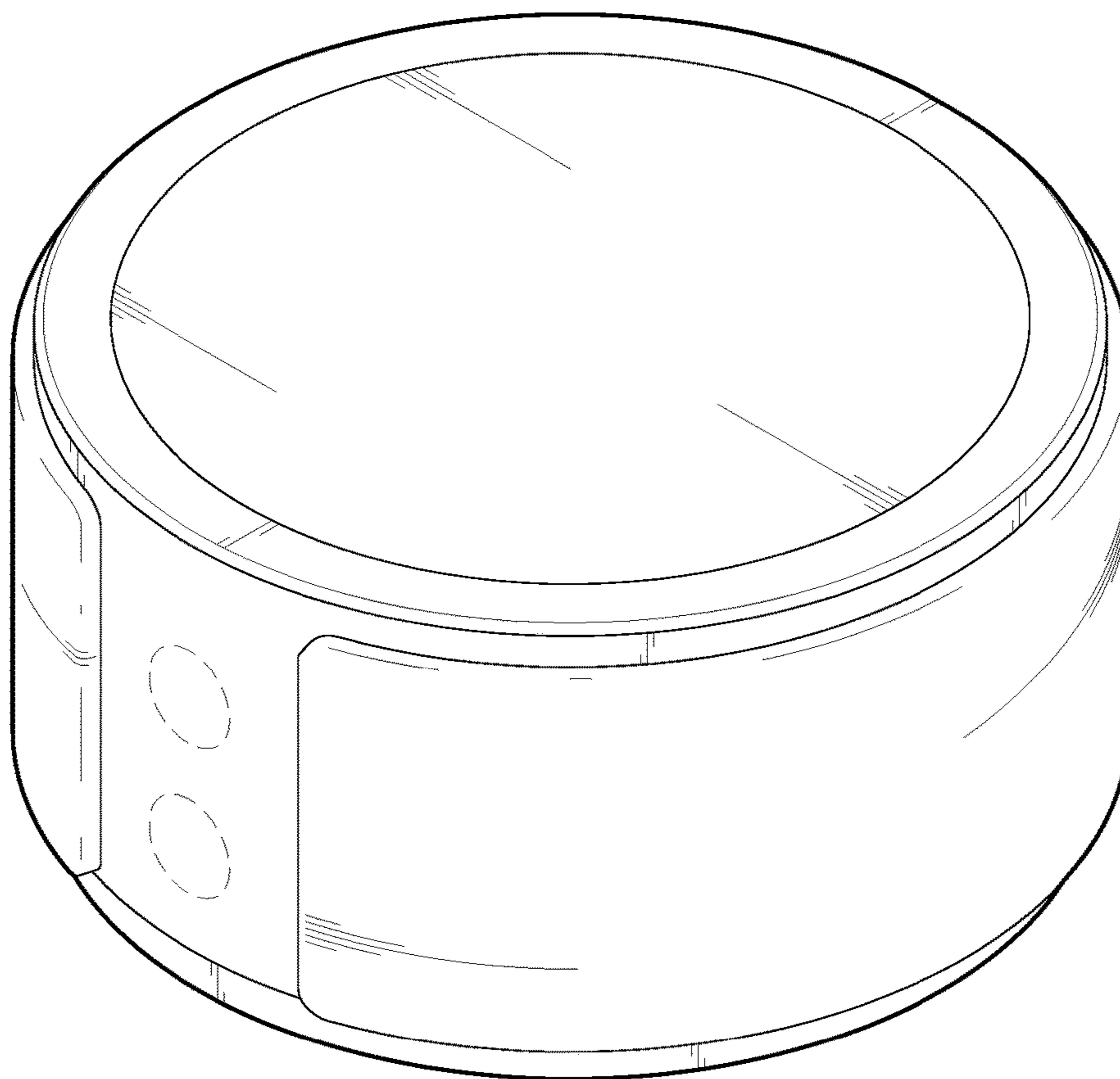


FIG. 2

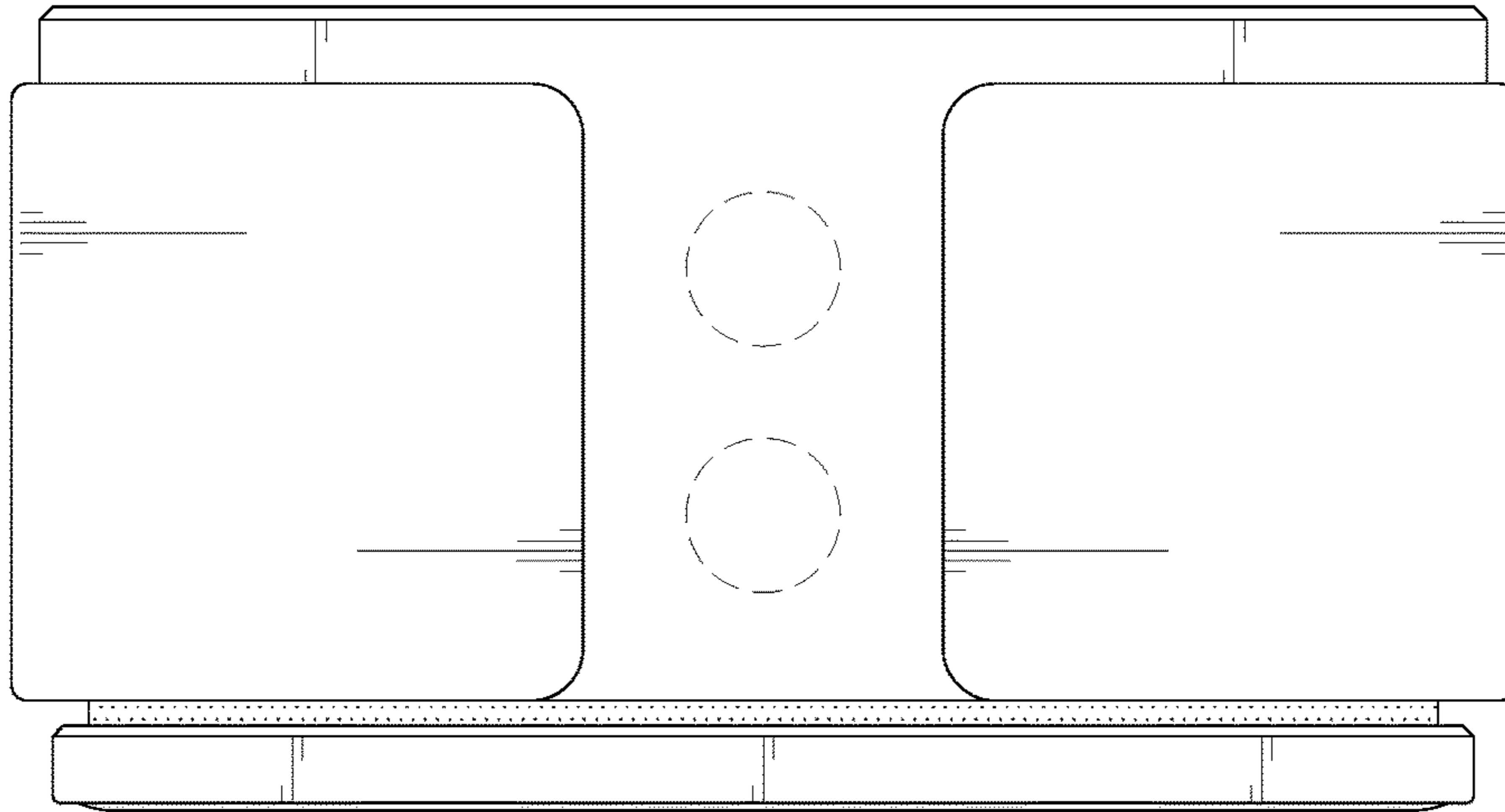


FIG. 3

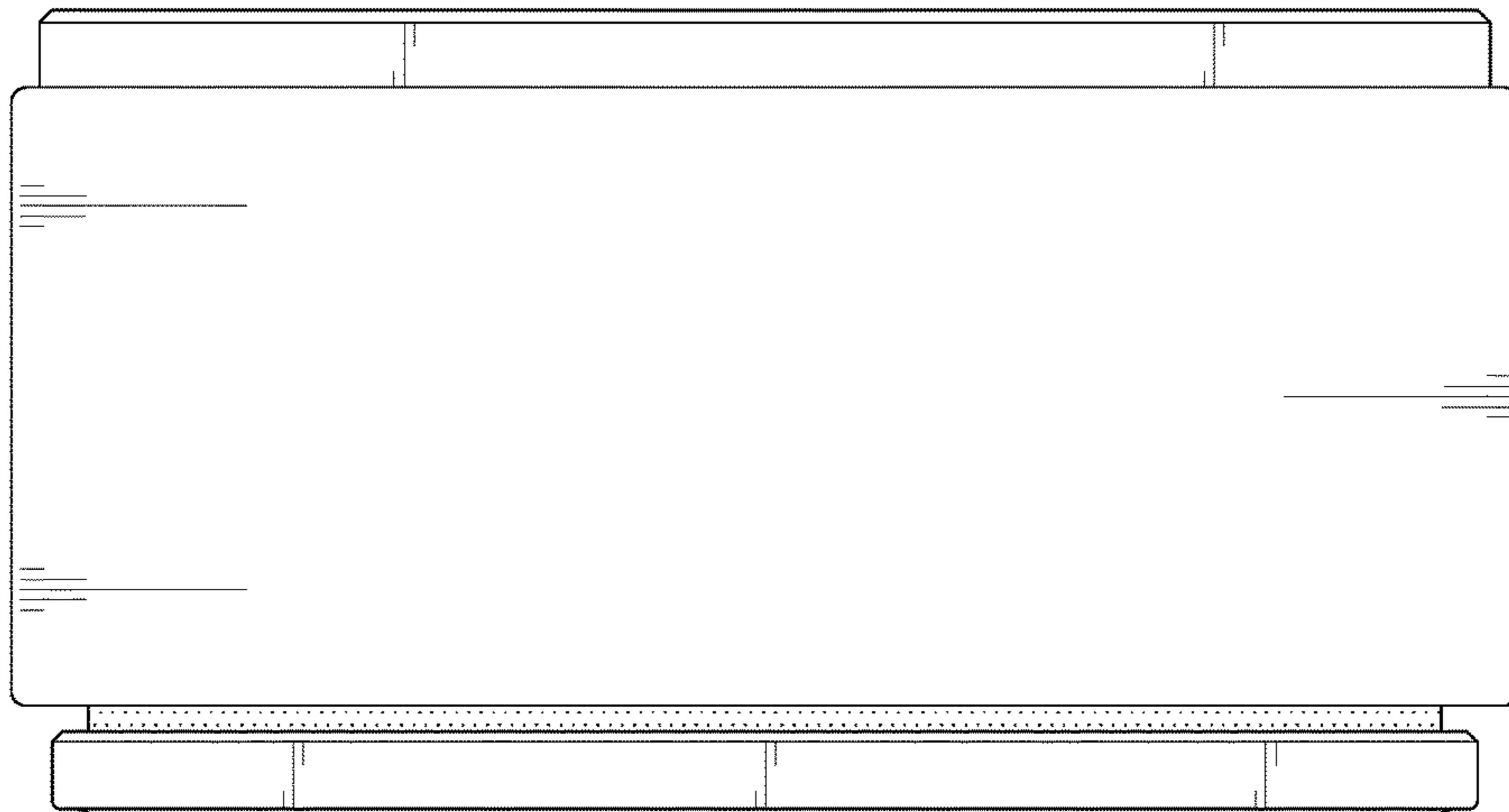


FIG. 4

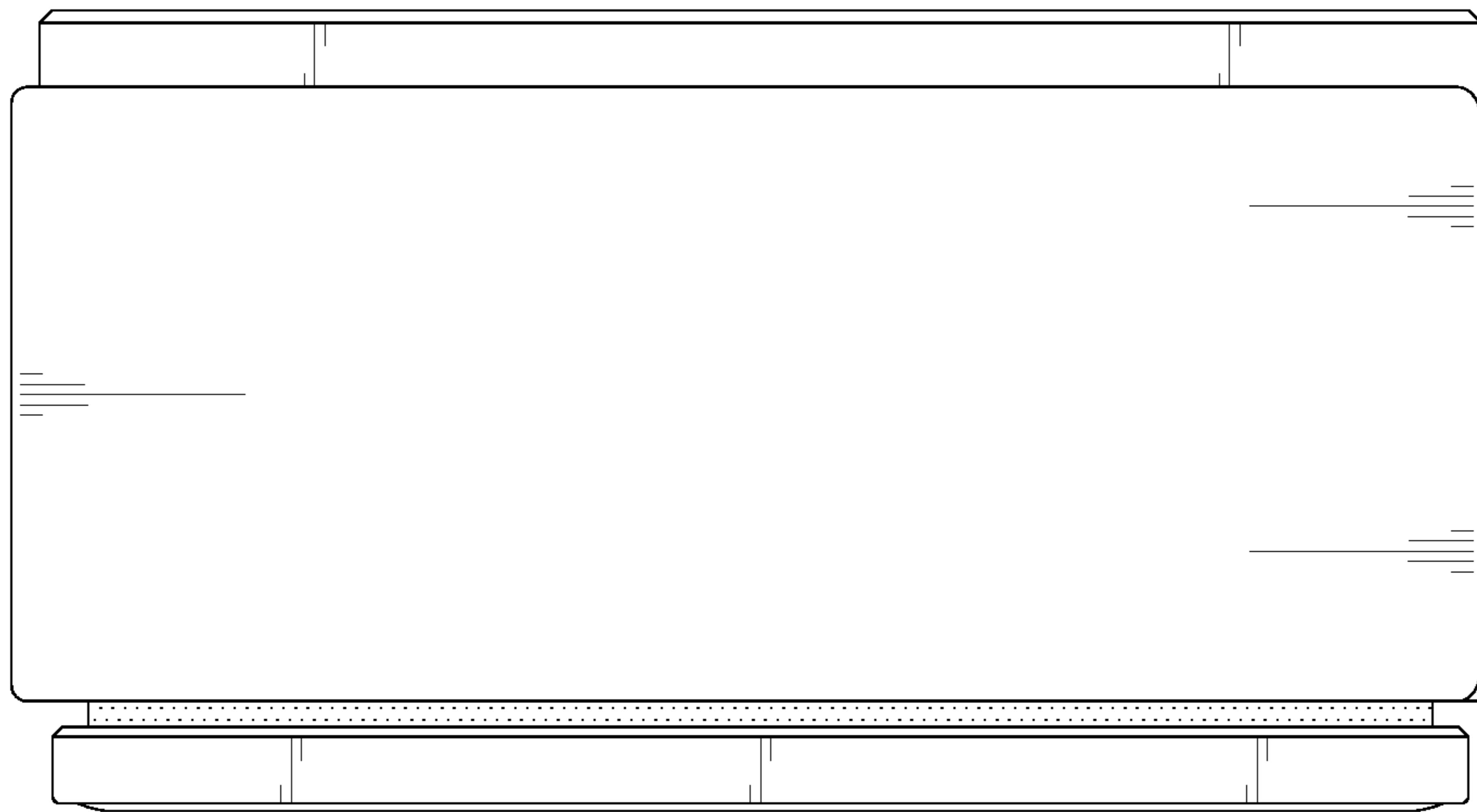


FIG. 5

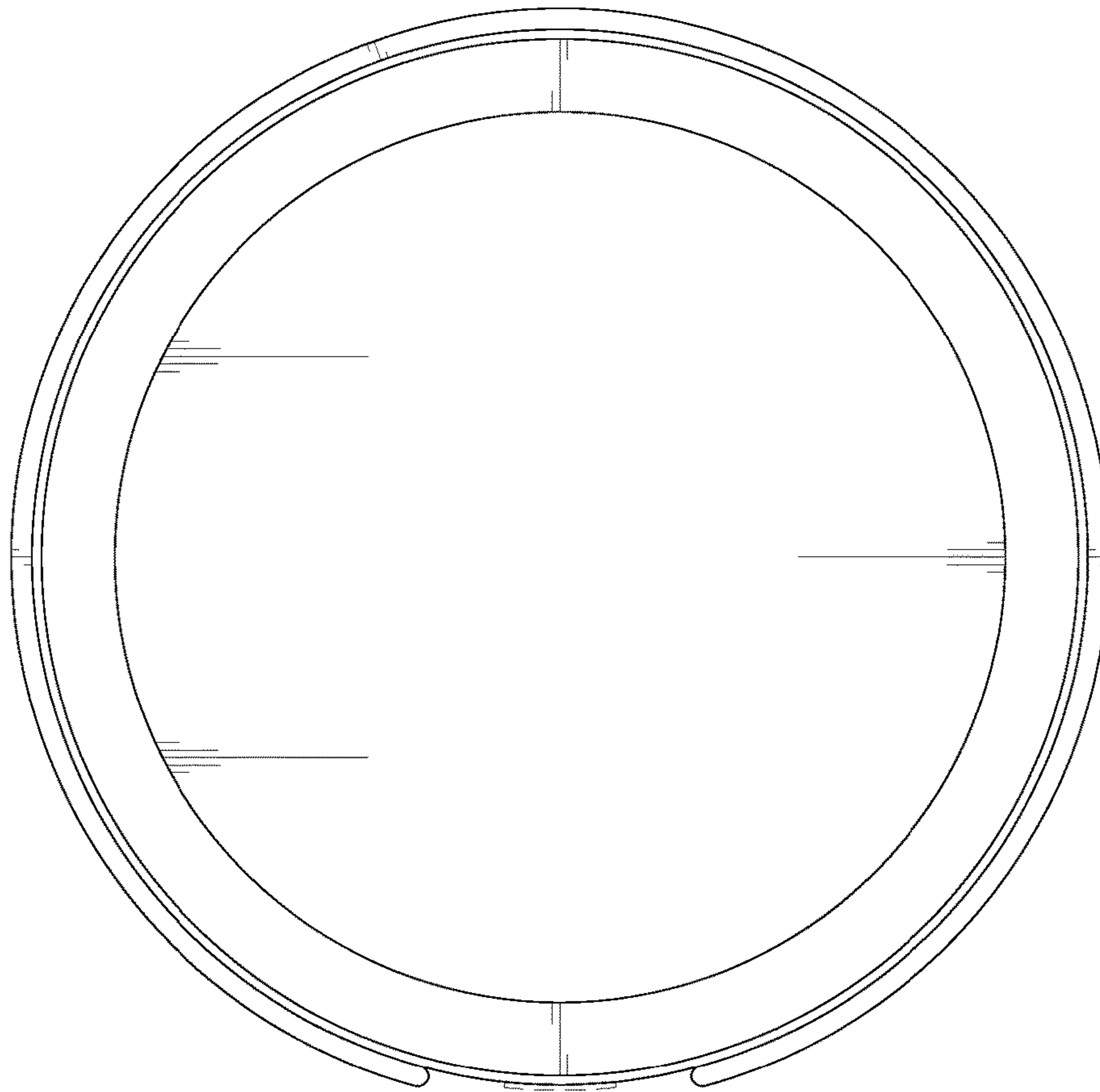


FIG. 6

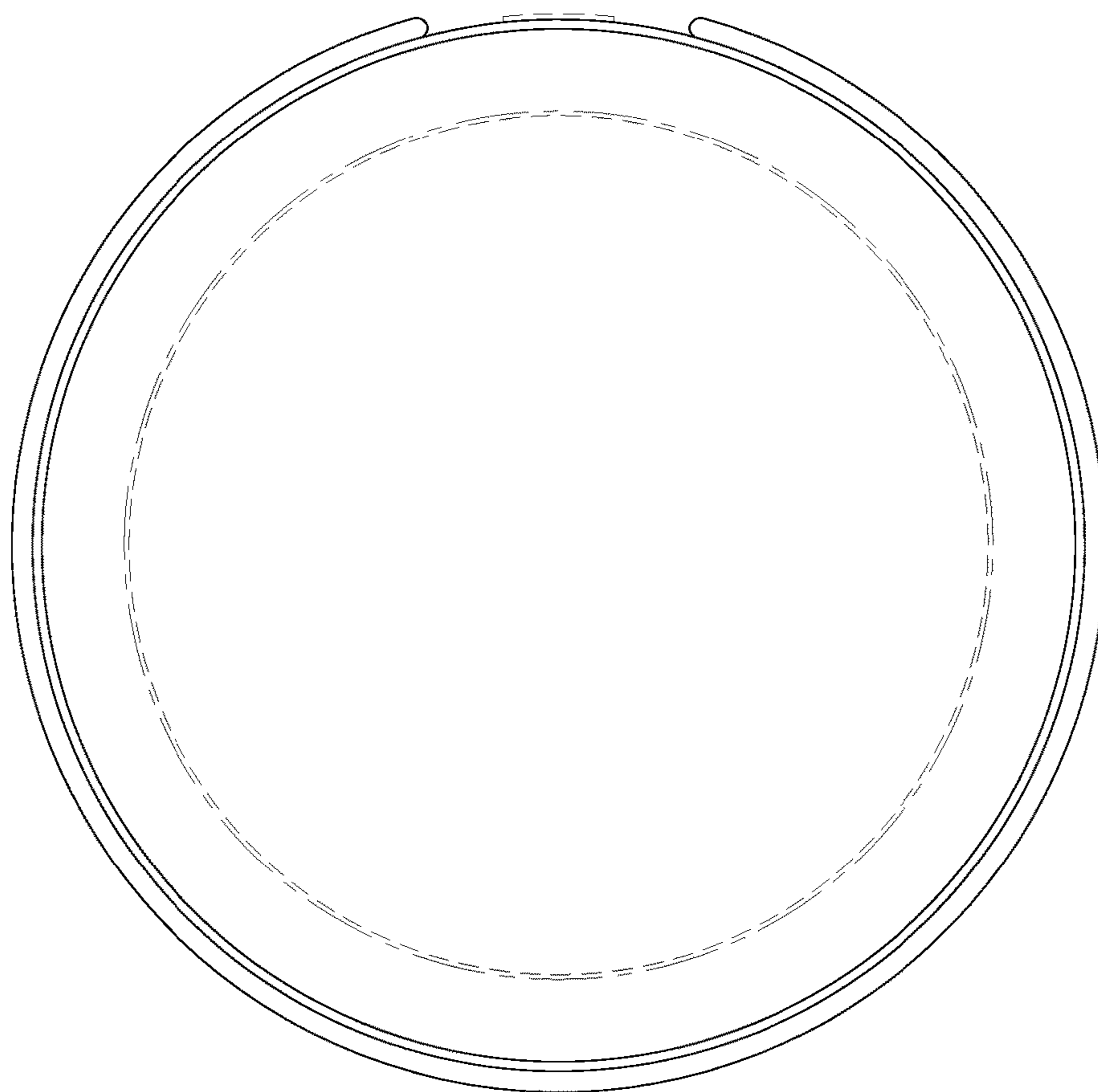


FIG. 7

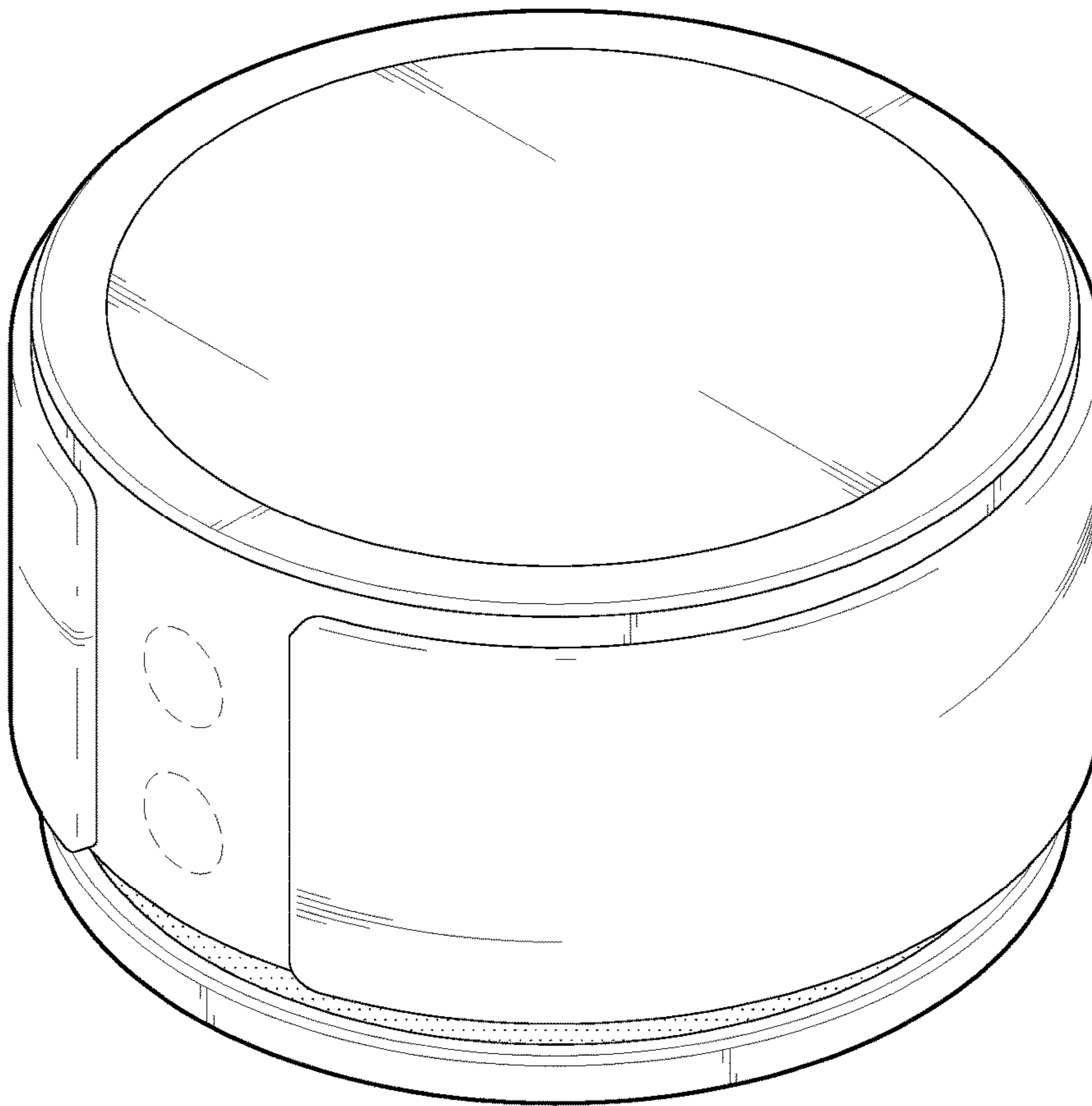


FIG. 8

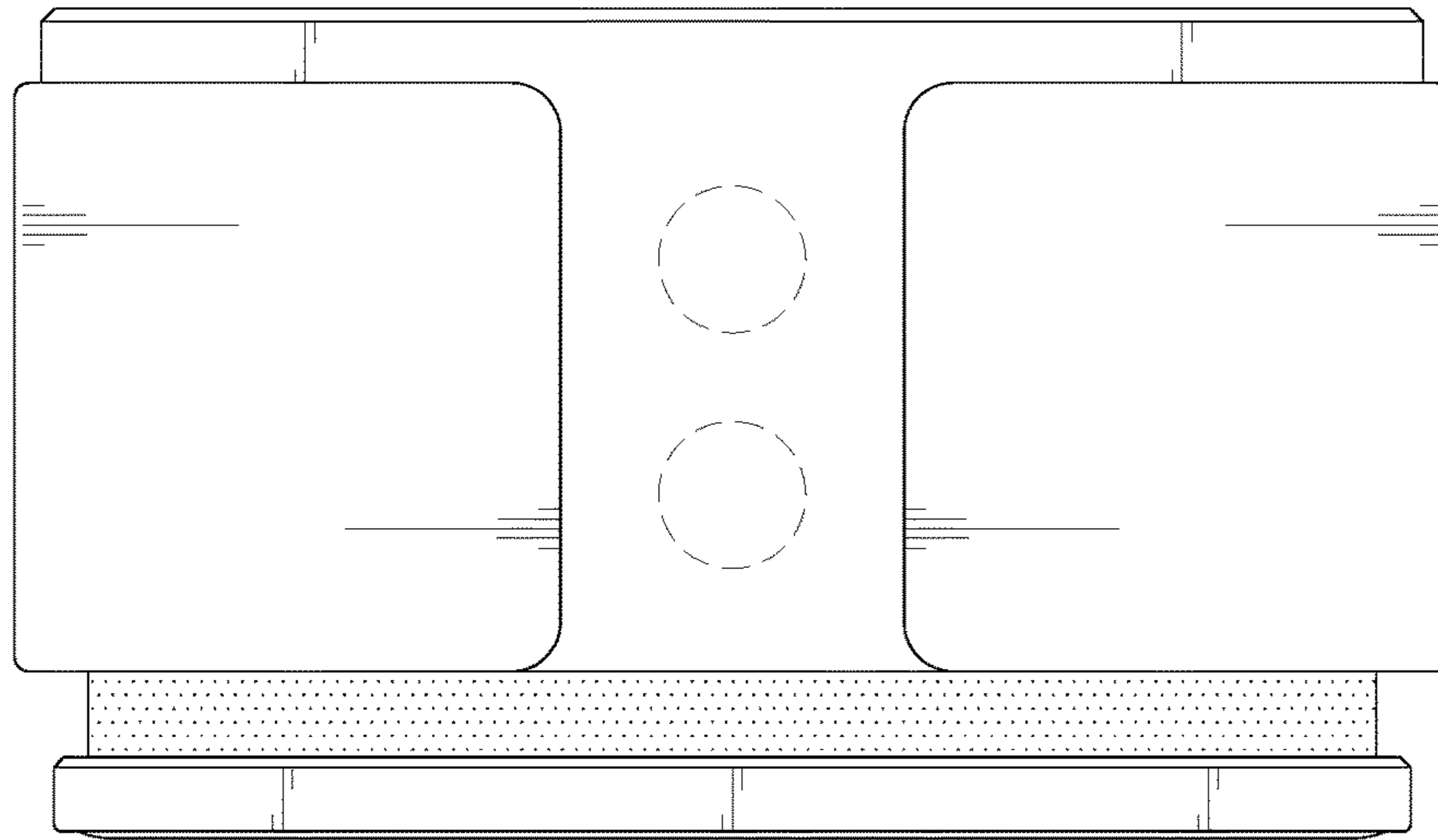


FIG. 9

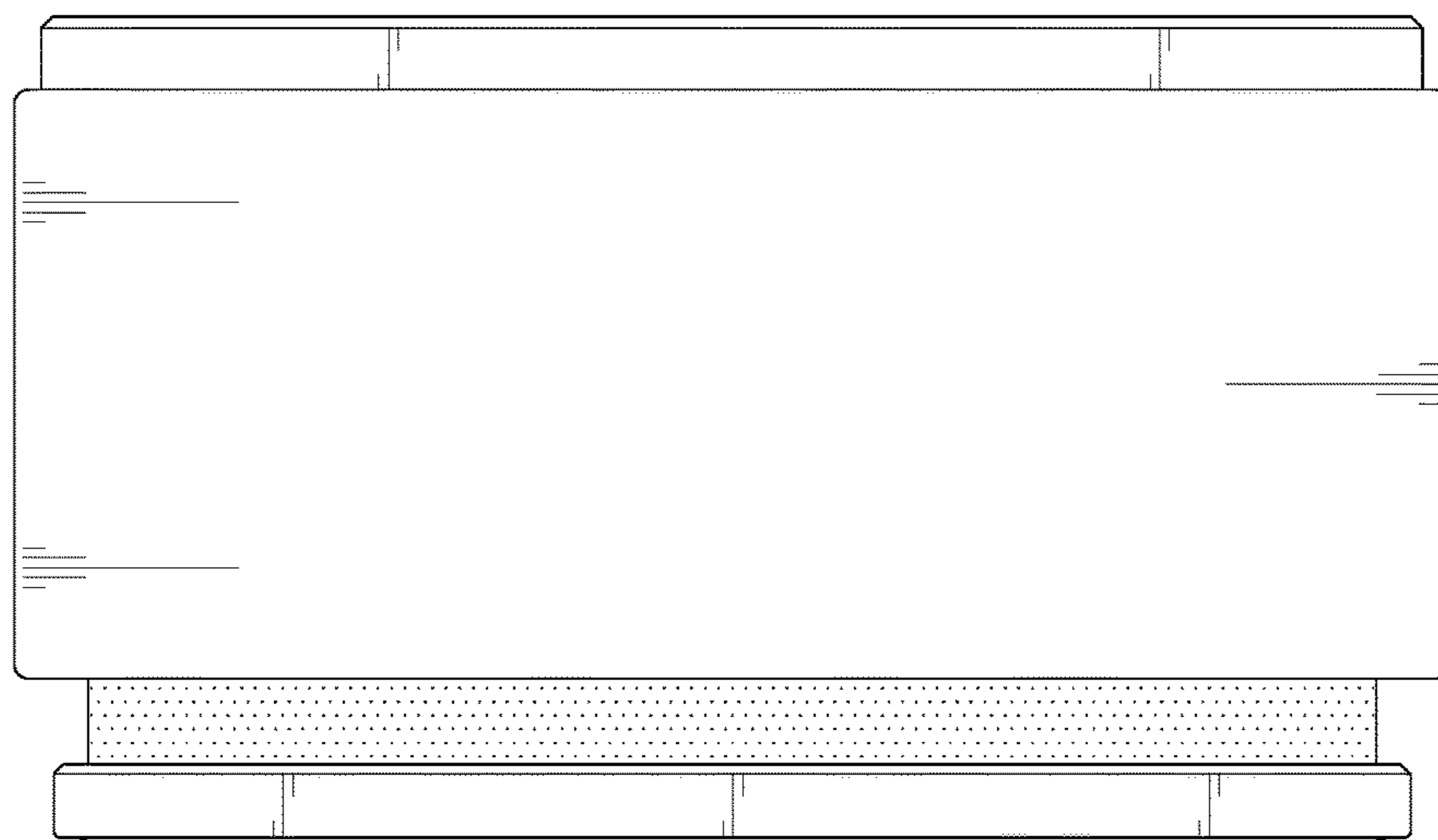


FIG. 10

